

(19) World Intellectual Property Organization
International Bureau



(43) International Publication Date
12 October 2006 (12.10.2006)

PCT

(10) International Publication Number
WO 2006/108112 A3

(51) International Patent Classification:
G06F 19/00 (2006.01)

(21) International Application Number:

PCT/US2006/012932

(22) International Filing Date: 4 April 2006 (04.04.2006)

(25) Filing Language: English

(26) Publication Language: English

(30) Priority Data:
11/099,326 5 April 2005 (05.04.2005) US

(71) Applicant (for all designated States except US): **THE REGENTS OF THE UNIVERSITY OF CALIFORNIA** [US/US]; 1111 Franklin Street, 12th Floor, Oakland, California 94607-5200 (US).

(72) Inventors; and

(75) Inventors/Applicants (for US only): **JOHNSON, Bradley** [US/US]; 1921 Delaware St. #4, Berkeley, California 94709 (US). **KHAN, Rehan M.** [CA/US]; 2122 Sacramento St. Apt. A, Berkeley, California 94702 (US). **SOBEL, Noam** [US/US]; 2042 Vine St., Berkeley, California 94709 (US).

(74) Agents: **KULAS, Charles, J.** et al.; Trellis Intellectual Property Group, PC, 1900 Embarcadero Road, Suite109, Palo Alto, CA 94303 (US).

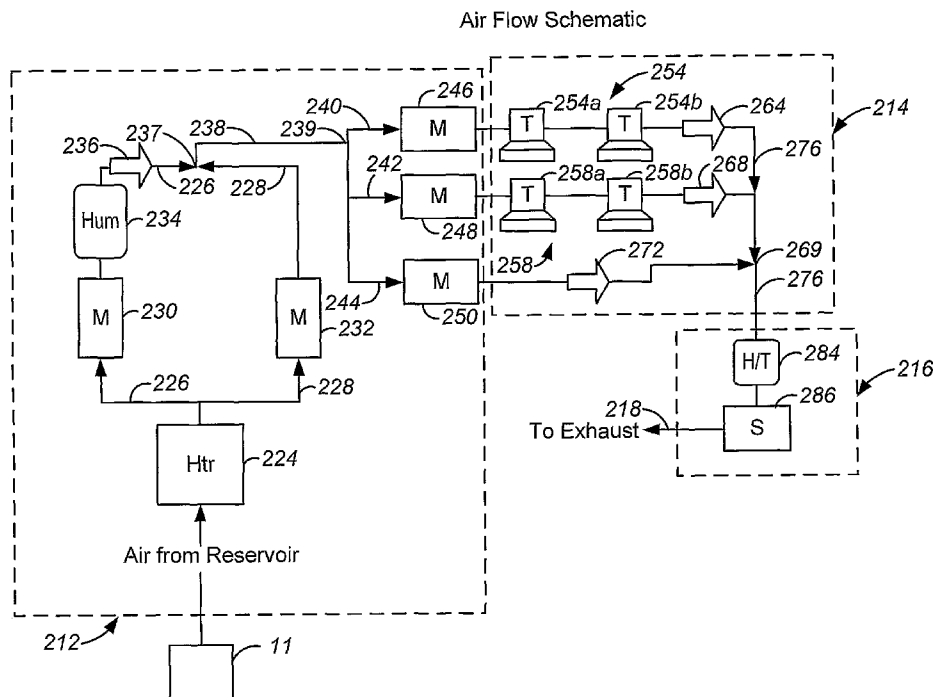
(81) Designated States (unless otherwise indicated, for every kind of national protection available): AE, AG, AL, AM, AT, AU, AZ, BA, BB, BG, BR, BW, BY, BZ, CA, CH, CN, CO, CR, CU, CZ, DE, DK, DM, DZ, EC, EE, EG, ES, FI, GB, GD, GE, GH, GM, HR, HU, ID, IL, IN, IS, JP, KE, KG, KM, KN, KP, KR, KZ, LC, LK, LR, LS, LT, LU, LV, LY, MA, MD, MG, MK, MN, MW, MX, MZ, NA, NG, NI, NO, NZ, OM, PG, PH, PL, PT, RO, RU, SC, SD, SE, SG, SK, SL, SM, SY, TJ, TM, TN, TR, TT, TZ, UA, UG, US, UZ, VC, VN, YU, ZA, ZM, ZW.

(84) Designated States (unless otherwise indicated, for every kind of regional protection available): ARIPO (BW, GH, GM, KE, LS, MW, MZ, NA, SD, SL, SZ, TZ, UG, ZM, ZW), Eurasian (AM, AZ, BY, KG, KZ, MD, RU, TJ, TM), European (AT, BE, BG, CH, CY, CZ, DE, DK, EE, ES, FI, FR, GB, GR, HU, IE, IS, IT, LT, LU, LV, MC, NL, PL, PT, RO, SE, SI, SK, TR), OAPI (BF, BJ, CF, CG, CI, CM, GA, GN, GQ, GW, ML, MR, NE, SN, TD, TG).

Published:
— with international search report

[Continued on next page]

(54) Title: SYSTEM AND METHOD FOR IDENTIFYING MOLECULES



(57) Abstract: A system and method for identifying molecules. Molecules are identified from a gaseous matter having the molecules and flowing at two different flow rates. A system and method for identifying a substance. A particle which is indicative of a substance is identified from matter having the particle and flowing at two different flow rates. After the particle is identified, the substance is identified.

WO 2006/108112 A3



— *before the expiration of the time limit for amending the claims and to be republished in the event of receipt of amendments*

For two-letter codes and other abbreviations, refer to the "Guidance Notes on Codes and Abbreviations" appearing at the beginning of each regular issue of the PCT Gazette.

(88) Date of publication of the international search report:

17 January 2008

INTERNATIONAL SEARCH REPORT

International application No.

PCT/US06/12932

A. CLASSIFICATION OF SUBJECT MATTER

IPC: **G06F 19/00**(2006.01)

USPC: 702/22,24,27;73/25.04,29.01,23.27;700/265,266

According to International Patent Classification (IPC) or to both national classification and IPC

B. FIELDS SEARCHED

Minimum documentation searched (classification system followed by classification symbols)

U.S. : 702/22, 24,27; 73/25.04,29.01,23.27; 700/265,266

Documentation searched other than minimum documentation to the extent that such documents are included in the fields searched

US2006/0224332A1

Electronic data base consulted during the international search (name of data base and, where practicable, search terms used)

EAST, PLUS

C. DOCUMENTS CONSIDERED TO BE RELEVANT

Category *	Citation of document, with indication, where appropriate, of the relevant passages	Relevant to claim No.
X	US 6,076,392 A (DRZEWIECKI) 20 June 2000 (20.06.2000), abstract, Fig.12, column 8, lines 1-20, Fig.9B, column 8, lines 23-36, Fig.9c, column 26, lines 25-28, column 17, lines 27-30, Fig. 11B, column 15, lines 34-67, column 16, lines 1-23, Fig. 9A, col. 4, lines 49-50, Fig. 12, columns 15-16, Fig. 11A, column 1, lines 25-32, 34-53, Figs. 10-11A, column 10, lines 1-21, column 26, lines 44-67.	1-18

Further documents are listed in the continuation of Box C. See patent family annex.

* Special categories of cited documents:	
"A" document defining the general state of the art which is not considered to be of particular relevance	"T" later document published after the international filing date or priority date and not in conflict with the application but cited to understand the principle or theory underlying the invention
"E" earlier application or patent published on or after the international filing date	"X" document of particular relevance; the claimed invention cannot be considered novel or cannot be considered to involve an inventive step when the document is taken alone
"L" document which may throw doubts on priority claim(s) or which is cited to establish the publication date of another citation or other special reason (as specified)	"Y" document of particular relevance; the claimed invention cannot be considered to involve an inventive step when the document is combined with one or more other such documents, such combination being obvious to a person skilled in the art
"O" document referring to an oral disclosure, use, exhibition or other means	"&" document member of the same patent family
"P" document published prior to the international filing date but later than the priority date claimed	

Date of the actual completion of the international search: 09 November 2007 (09.11.2007) | Date of mailing of the international search report: 23 NOV 2007

Name and mailing address of the ISA/US: Mail Stop PCT, Attn: ISA/US, Commissioner of Patents, P.O. Box 1450, Alexandria, Virginia 22313-1450 | Authorized officer: John Barlow (Signature) | Telephone No. (571)272-1585

Facsimile No. (571) 273-3201