

(19) World Intellectual Property Organization
International Bureau



(43) International Publication Date
19 July 2001 (19.07.2001)

PCT

(10) International Publication Number
WO 01/52062 A3

(51) International Patent Classification: **G06F 9/445**

(US). **MCCLAIN, Mark, A.**; 12598 Dormouse Road, San Diego, CA 95129 (US).

(21) International Application Number: PCT/US00/34374

(74) **Agent: RODDY, Richard, J.**; Advanced Micro Devices, Inc., One AMD Place, Mail Stop 68, P.O. Box 3453, Sunnyvale, CA 94088-3453 (US).

(22) International Filing Date:
15 December 2000 (15.12.2000)

(25) Filing Language: English

(81) **Designated States (national):** CN, JP, KR, SG.

(26) Publication Language: English

(84) **Designated States (regional):** European patent (AT, BE, CH, CY, DE, DK, ES, FI, FR, GB, GR, IE, IT, LU, MC, NL, PT, SE, TR).

(30) Priority Data:
09/483,318 14 January 2000 (14.01.2000) US

Published:
— with international search report

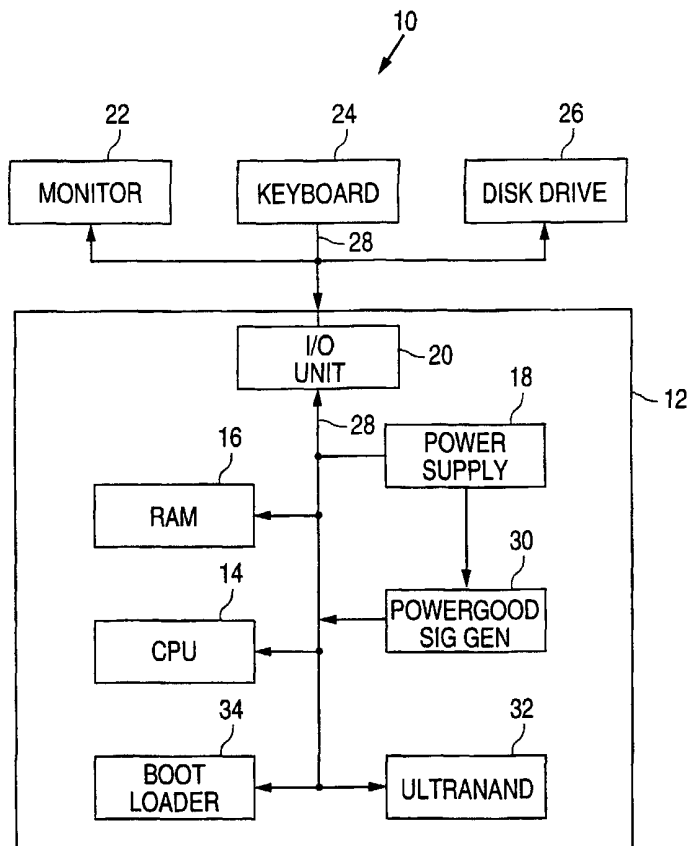
(71) **Applicant: ADVANCED MICRO DEVICES, INC.**
[US/US]; One AMD Place, Mail Stop 68, P.O. Box 3453, Sunnyvale, CA 94088-3453 (US).

(88) **Date of publication of the international search report:**
27 December 2001

(72) **Inventors: GIBSON, Ralph, E.**; 864 Apricot Avenue #E, Campbell, CA 95008-3258 (US). **SHALINSKY, Loren, J.**; 928 Wright Avenue #1203, Mountain View, CA 94043

For two-letter codes and other abbreviations, refer to the "Guidance Notes on Codes and Abbreviations" appearing at the beginning of each regular issue of the PCT Gazette.

(54) Title: COMPUTER SYSTEM INITIALIZATION VIA BOOT CODE STORED IN SEQUENTIAL ACCESS MEMORY



(57) **Abstract:** A computer system includes a processor and a sequential access memory having a boot program stored therein. A boot loader includes a state machine which, in response to initialization of the computer system, controls the sequential access memory to read the boot program and then controls the processor to jump to the boot program in the sequential access memory. The first memory page of the boot program causes further boot code to be transferred to a Random Access Memory (RAM). The processor then jumps to the code in the RAM, which causes the remainder of the boot code to be transferred from the sequential access memory to the RAM and executed.



WO 01/52062 A3

INTERNATIONAL SEARCH REPORT

Intern: al Application No
PCT/US 00/34374

A. CLASSIFICATION OF SUBJECT MATTER
IPC 7 G06F9/445

According to International Patent Classification (IPC) or to both national classification and IPC

B. FIELDS SEARCHED

Minimum documentation searched (classification system followed by classification symbols)

IPC 7 G06F

Documentation searched other than minimum documentation to the extent that such documents are included in the fields searched

Electronic data base consulted during the international search (name of data base and, where practical, search terms used)

PAJ, INSPEC, COMPENDEX, IBM-TDB, EPO-Internal

C. DOCUMENTS CONSIDERED TO BE RELEVANT

Category °	Citation of document, with indication, where appropriate, of the relevant passages	Relevant to claim No.
X	US 5 664 194 A (PAULSEN DAVID L) 2 September 1997 (1997-09-02) the whole document ---	1-38
X	US 5 951 685 A (STANCIL CHARLES J) 14 September 1999 (1999-09-14) abstract; figures 2-5 column 7, line 62 -column 11, line 15 ---	1-14, 18-33, 37, 38
A	US 5 799 186 A (COMPTON JOHN T) 25 August 1998 (1998-08-25) column 3, line 35 -column 5, line 57 -----	3, 4, 19, 22, 23, 38

Further documents are listed in the continuation of box C.

Patent family members are listed in annex.

° Special categories of cited documents :

- *A* document defining the general state of the art which is not considered to be of particular relevance
- *E* earlier document but published on or after the international filing date
- *L* document which may throw doubts on priority claim(s) or which is cited to establish the publication date of another citation or other special reason (as specified)
- *O* document referring to an oral disclosure, use, exhibition or other means
- *P* document published prior to the international filing date but later than the priority date claimed

- *T* later document published after the international filing date or priority date and not in conflict with the application but cited to understand the principle or theory underlying the invention
- *X* document of particular relevance; the claimed invention cannot be considered novel or cannot be considered to involve an inventive step when the document is taken alone
- *Y* document of particular relevance; the claimed invention cannot be considered to involve an inventive step when the document is combined with one or more other such documents, such combination being obvious to a person skilled in the art.
- *&* document member of the same patent family

Date of the actual completion of the international search

25 July 2001

Date of mailing of the international search report

01/08/2001

Name and mailing address of the ISA

European Patent Office, P.B. 5818 Patentlaan 2
NL - 2280 HV Rijswijk
Tel. (+31-70) 340-2040, Tx. 31 651 epo nl,
Fax: (+31-70) 340-3016

Authorized officer

Kingma, Y

INTERNATIONAL SEARCH REPORT

Information on patent family members

International Application No

PCT/US 00/34374

Patent document cited in search report	Publication date	Patent family member(s)	Publication date
US 5664194 A	02-09-1997	WO 9709673 A	13-03-1997
US 5951685 A	14-09-1999	US 6112303 A	29-08-2000
US 5799186 A	25-08-1998	NONE	