



US00D664124S

(12) **United States Design Patent**
Smith et al.

(10) **Patent No.:** **US D664,124 S**

(45) **Date of Patent:** **** Jul. 24, 2012**

(54) **EARPIECE**

(75) Inventors: **Richard C. Smith**, Costa Mesa, CA (US); **Diann Y. Smith**, Costa Mesa, CA (US)

(73) Assignee: **SureFire, LLC**, Fountain Valley, CA (US)

(**) Term: **14 Years**

(21) Appl. No.: **29/398,787**

(22) Filed: **Aug. 4, 2011**

(51) **LOC (9) Cl.** **14-01**

(52) **U.S. Cl.** **D14/223**

(58) **Field of Classification Search** D14/205, D14/206, 223, 192; 181/129, 130, 135; 379/430, 379/431; 128/864, 866, 867; D24/106, 174; 381/322, 328, 380, 381

See application file for complete search history.

(56) **References Cited**

U.S. PATENT DOCUMENTS

D388,093	S	*	12/1997	Frengley	D14/223
D469,755	S	*	2/2003	Hlas et al.	D14/223
D470,122	S	*	2/2003	Hlas et al.	D14/205
D471,537	S	*	3/2003	Ham	D14/223
D523,845	S	*	6/2006	Smith et al.	D14/205
D565,024	S	*	3/2008	Kim et al.	D14/205
D576,610	S	*	9/2008	Johnson	D14/223
D585,429	S	*	1/2009	Dean	D14/223
D585,881	S	*	2/2009	Nam et al.	D14/223
D618,218	S	*	6/2010	Burgett et al.	D14/223

(Continued)

Primary Examiner — Paula Greene

(74) *Attorney, Agent, or Firm* — Haynes and Boone, LLP

(57) **CLAIM**

The ornamental design for an earpiece, as shown and described.

DESCRIPTION

FIG. 1 is a front-left-bottom perspective view of an earpiece showing our new design;

FIG. 2 is a front-left-top perspective view thereof;

FIG. 3 is a rear-left-top perspective view thereof;

FIG. 4 is a rear plan view thereof.

FIG. 5 is a front plan view thereof.

FIG. 6 is a left side elevational view thereof;

FIG. 7 is a right side elevational view thereof;

FIG. 8 is a top side elevational view thereof; and

FIG. 9 is a bottom side elevational view thereof.

FIG. 10 is a front-left-top perspective view of an example attachment, shown in broken lines, to the earpiece;

FIG. 11 is a front right top perspective view of an example attachment shown in broken lines thereof;

FIG. 12 is a left side elevational view of the example attachment thereof;

FIG. 13 is a front plan view of the example attachment thereof;

FIG. 14 is a rear plan view of the example attachment thereof;

FIG. 15 is another front left bottom perspective view of the earpiece along with a portion of a front left top perspective view of an example attachment shown in broken lines;

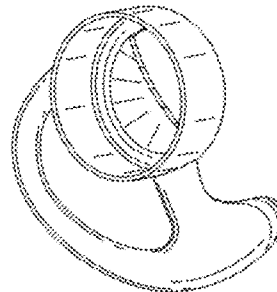
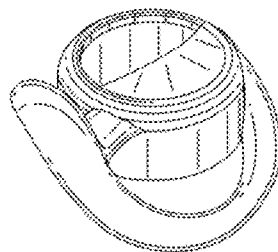
FIG. 16 is a bottom side elevational view of the earpiece along with a portion of a left side elevational view of the example attachment coupled thereto; and,

FIG. 17 is a front plan view of the earpiece along with a portion of front plan view of the example attachment coupled thereto.

The attachment in FIGS. 10-17 may represent a portion of a communication cable, a wireless telecommunications device (e.g., a wireless audio headphone or a Bluetooth® headset with headphone and microphone), an audio headphone (e.g., an earbud), an earplug, or other type of device configured to mate with the earpiece.

The broken lines in FIGS. 1-17 are shown for the purpose of illustrating environmental matters and form no part of the claimed design.

1 Claim, 8 Drawing Sheets



US D664,124 S

Page 2

U.S. PATENT DOCUMENTS			
D618,219	S *	6/2010	Burgett et al. D14/223
D621,817	S *	8/2010	Brickstad D14/223
D622,704	S *	8/2010	Fahrendorff et al. D14/223
D622,705	S *	8/2010	Fahrendorff et al. D14/223
D638,398	S *	5/2011	Morison D14/205
7,949,127	B2 *	5/2011	Pedersen et al. 379/430
D641,737	S *	7/2011	Krauss et al. D14/223
D645,458	S *	9/2011	Silvestri et al. D14/223
D647,514	S *	10/2011	Wikel et al. D14/223
8,111,864	B2 *	2/2012	Oliveira et al. 381/381

* cited by examiner

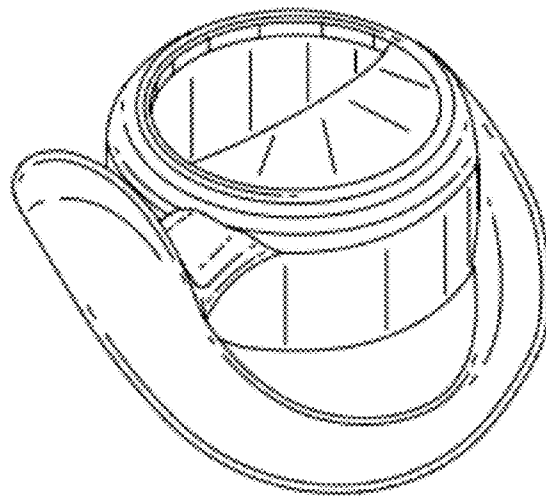


FIG. 1

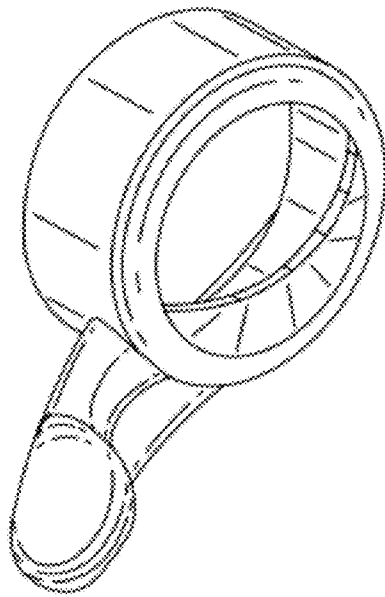


FIG. 2

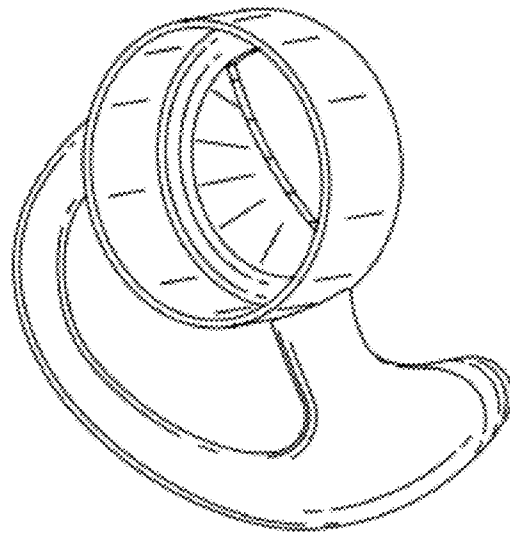


FIG. 3

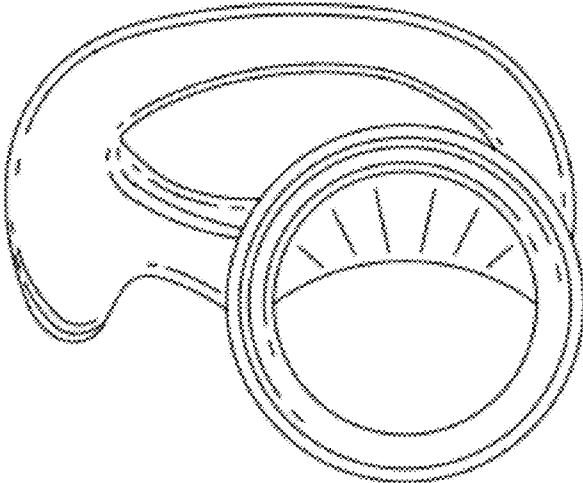


FIG. 4

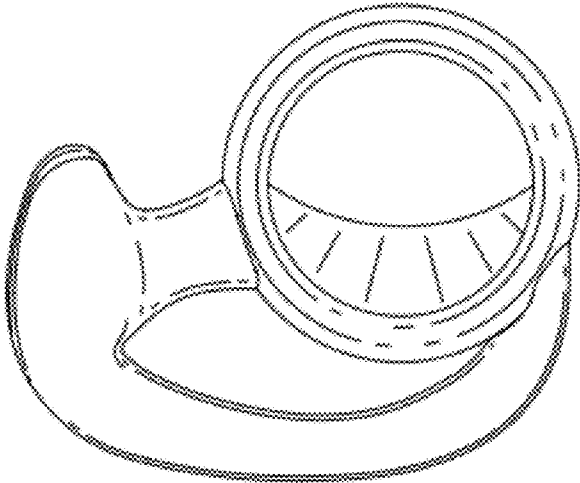


FIG. 5

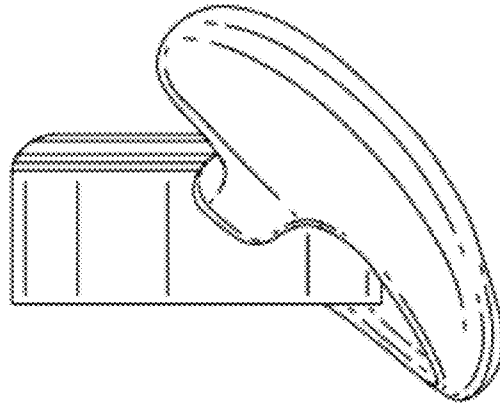


FIG. 6

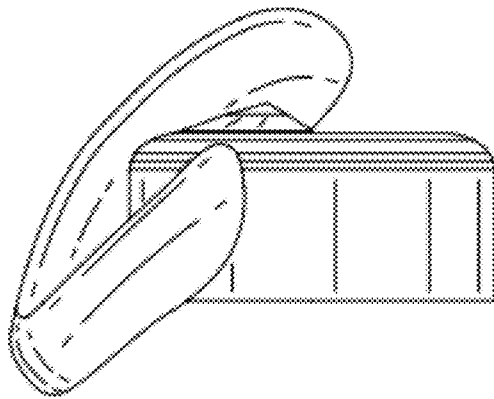


FIG. 7

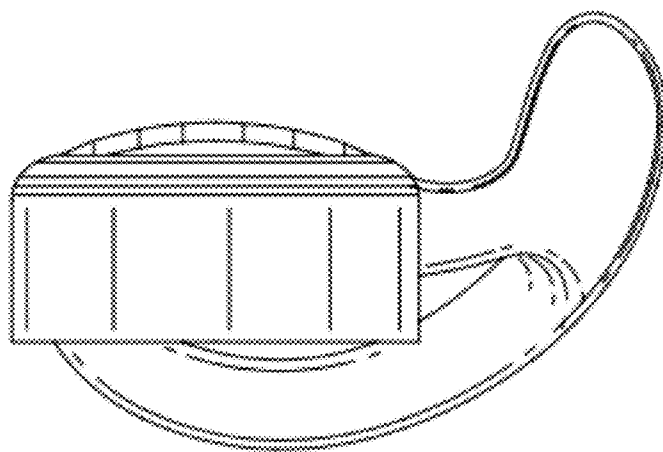


FIG. 8

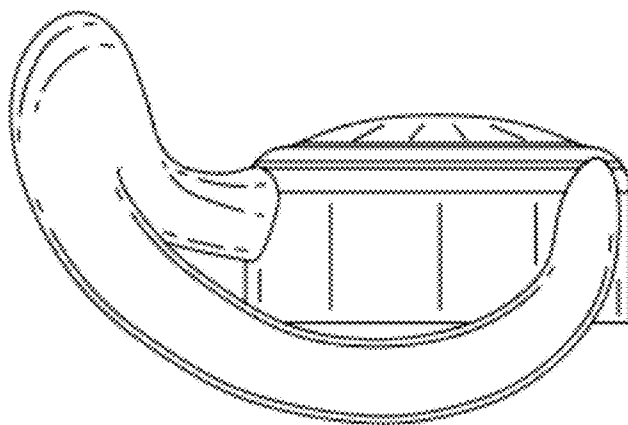


FIG. 9

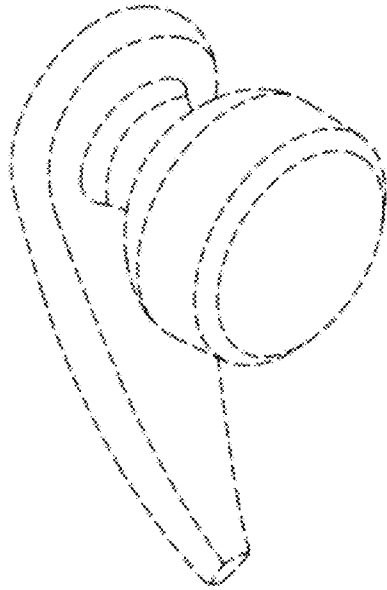


FIG. 10

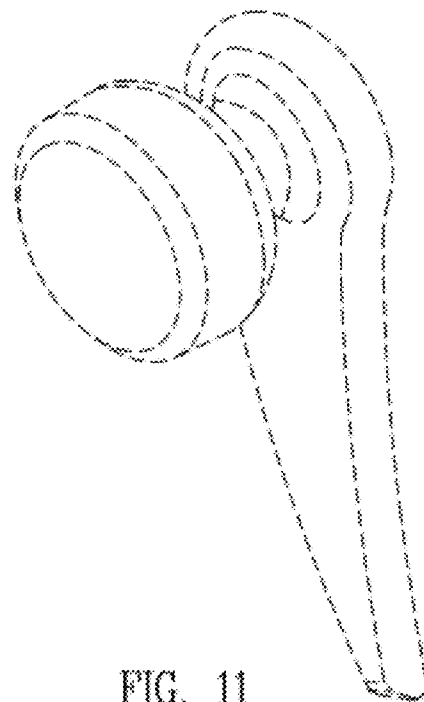


FIG. 11

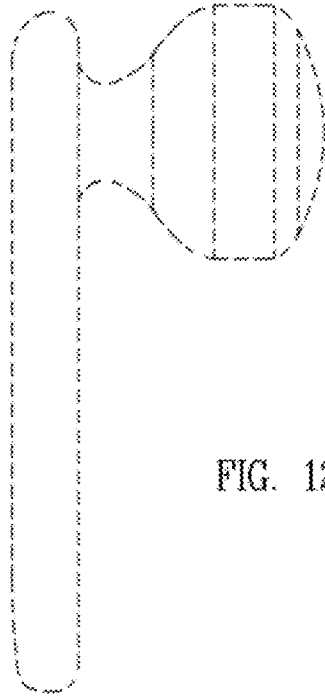


FIG. 12

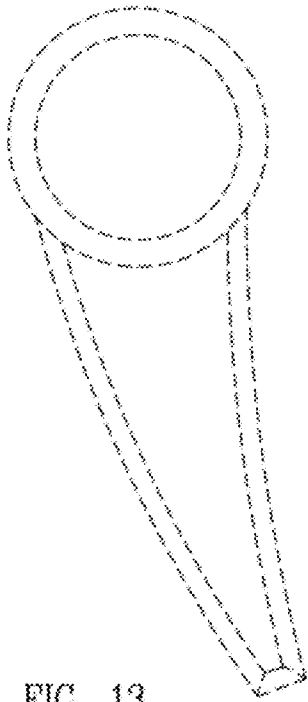


FIG. 13

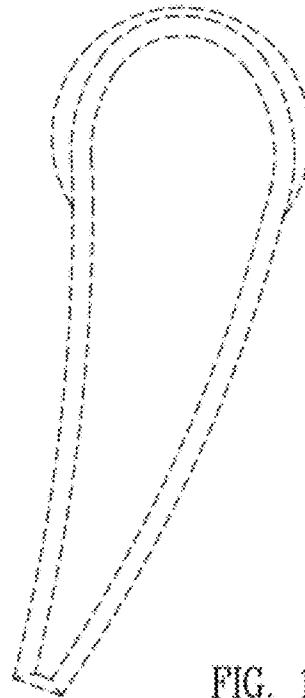


FIG. 14

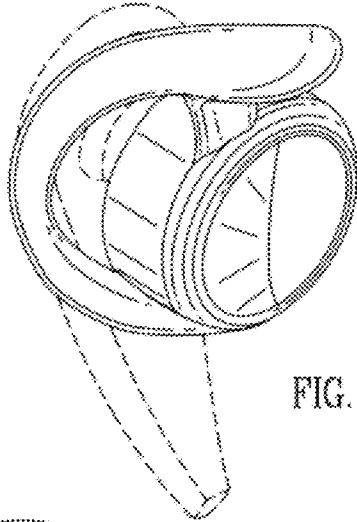


FIG. 15

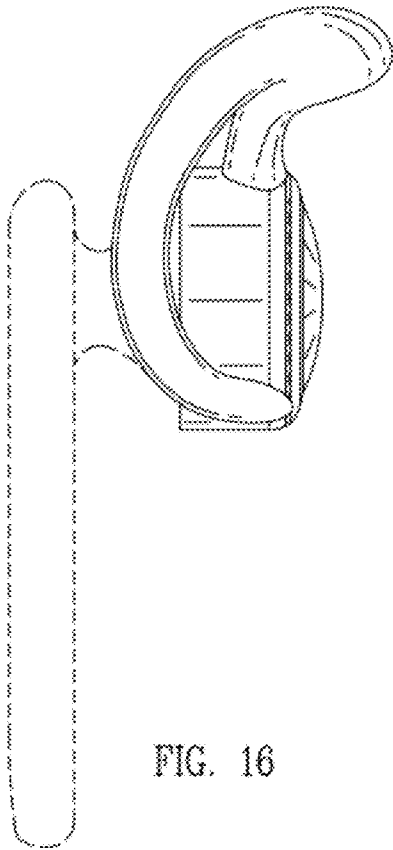


FIG. 16

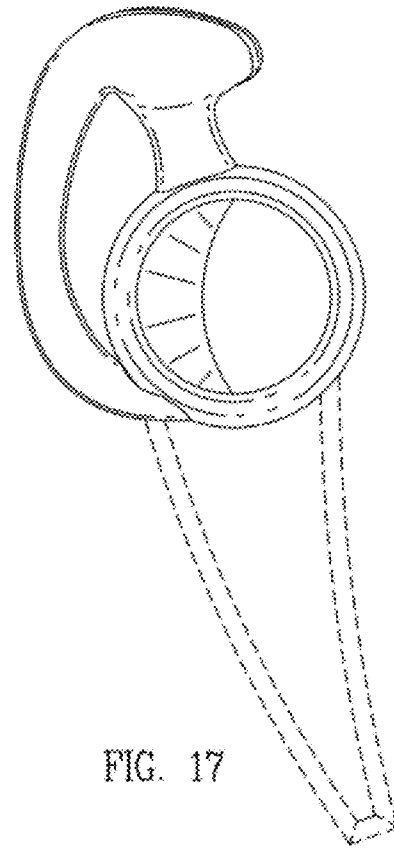


FIG. 17