



US00D962016S

(12) **United States Design Patent**
St. Raymond

(10) **Patent No.:** **US D962,016 S**

(45) **Date of Patent:** **** Aug. 30, 2022**

(54) **BEVERAGE LAYERING LADLE**

OTHER PUBLICATIONS

(71) Applicant: **Samantha Jane St. Raymond,**
Navarre, FL (US)

Amazon.com, True Zoo Cactus Shot Glasses, ASIN: B07MSC65SL, 9 pages, date first available Jan. 4, 2019 (Year: 2019).*

(72) Inventor: **Samantha Jane St. Raymond,**
Navarre, FL (US)

Amazon.com, Stainless Steel Shot Glass, Taurinex, ASIN: B005JN9RNE, 9 pages, date first available Aug. 28, 2011 (Year: 2011).*

(**) Term: **15 Years**

* cited by examiner

(21) Appl. No.: **29/754,456**

Primary Examiner — Terry A Wallace

(22) Filed: **Oct. 12, 2020**

(57) **CLAIM**

(51) **LOC (13) Cl.** **07-04**

The ornamental design for a beverage layering ladle, as shown and described.

(52) **U.S. Cl.**

DESCRIPTION

USPC **D7/669; D7/534**

(58) **Field of Classification Search**

USPC ... D7/669, 700, 534, 400, 397, 396.2, 396.1
CPC A47J 31/00; A47J 31/06; B65B 39/00;
B67C 11/00; B67C 11/02

See application file for complete search history.

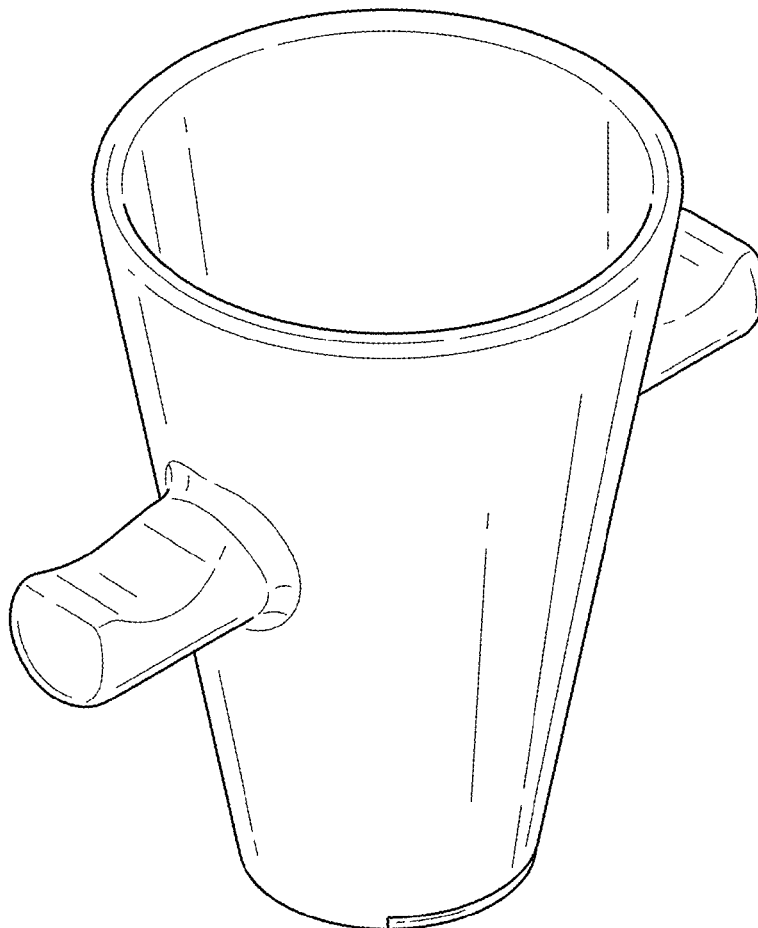
FIG. 1 is a perspective view of a beverage layering ladle showing my new design;
FIG. 2 is a front elevational view thereof;
FIG. 3 is a rear elevational view thereof;
FIG. 4 is a right-side elevational view thereof;
FIG. 5 is a left-side elevational view thereof;
FIG. 6 is a top plan view thereof;
FIG. 7 is a bottom plan view thereof; and,
FIG. 8 is a cross-sectional view taken along line 8-8 in FIG. 6.

(56) **References Cited**

U.S. PATENT DOCUMENTS

D332,035 S * 12/1992 Pigott D7/700
D363,221 S * 10/1995 Puryear D7/700
D732,906 S * 6/2015 Anderson D7/669

1 Claim, 5 Drawing Sheets



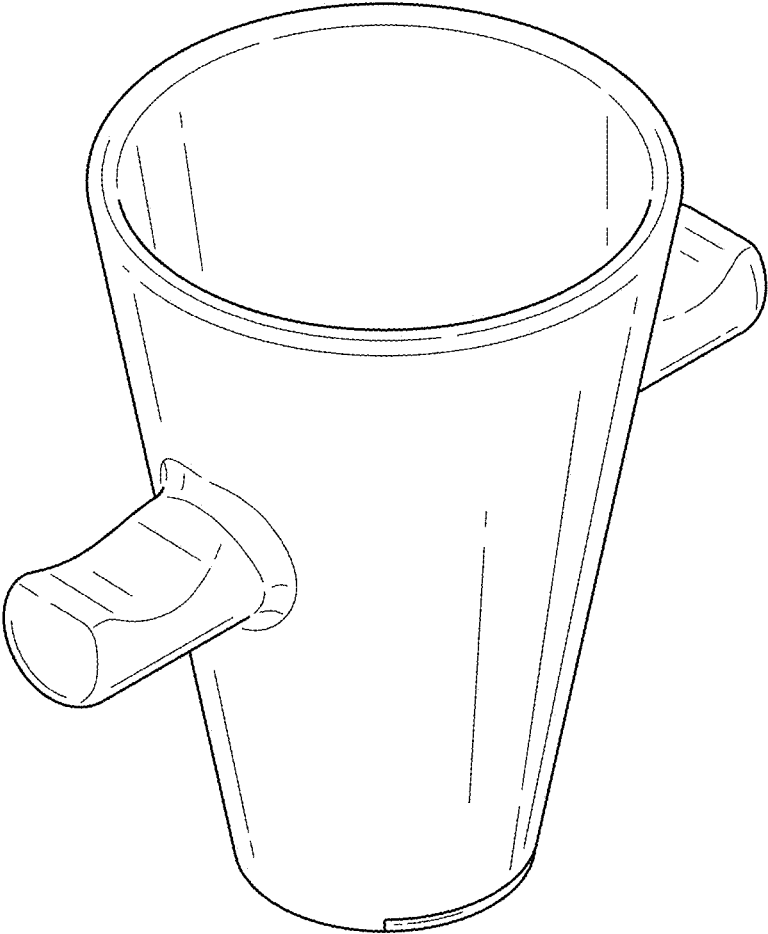


FIG. 1

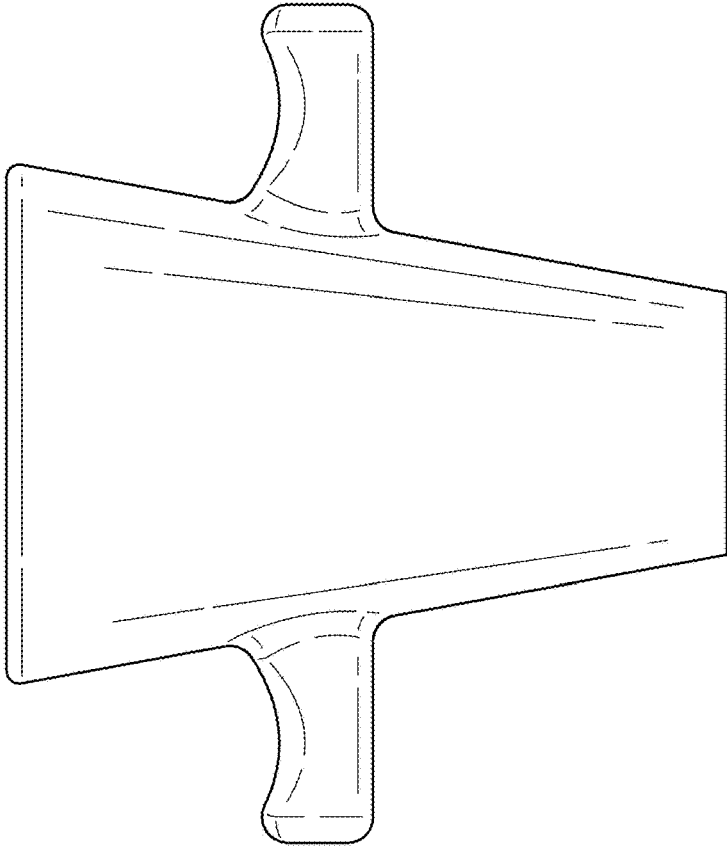


FIG. 3

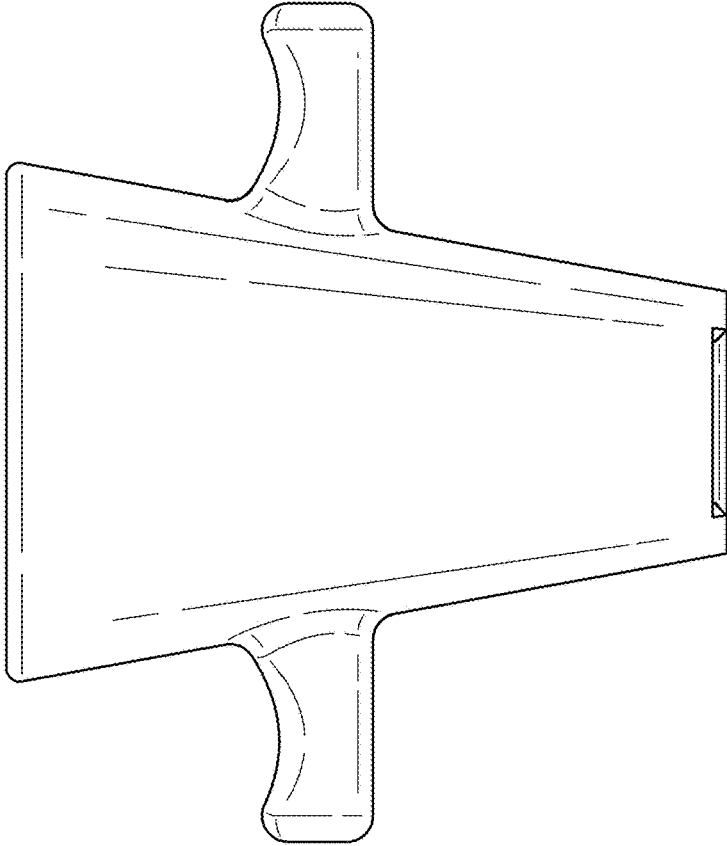


FIG. 2

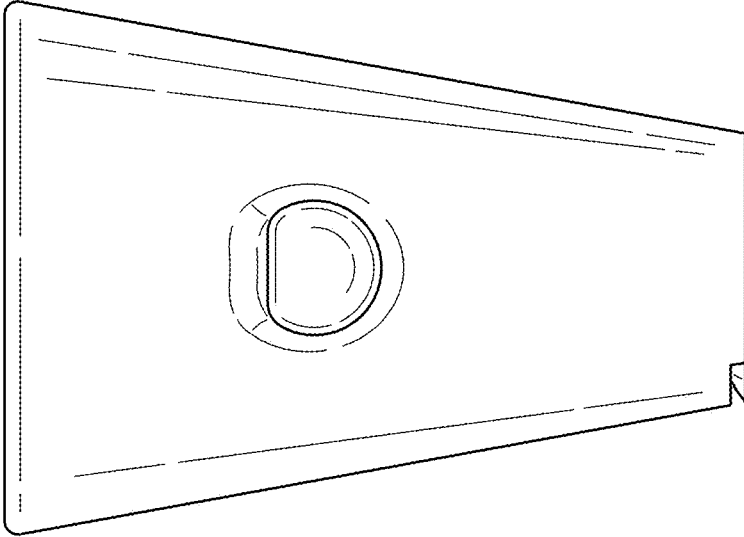


FIG. 5

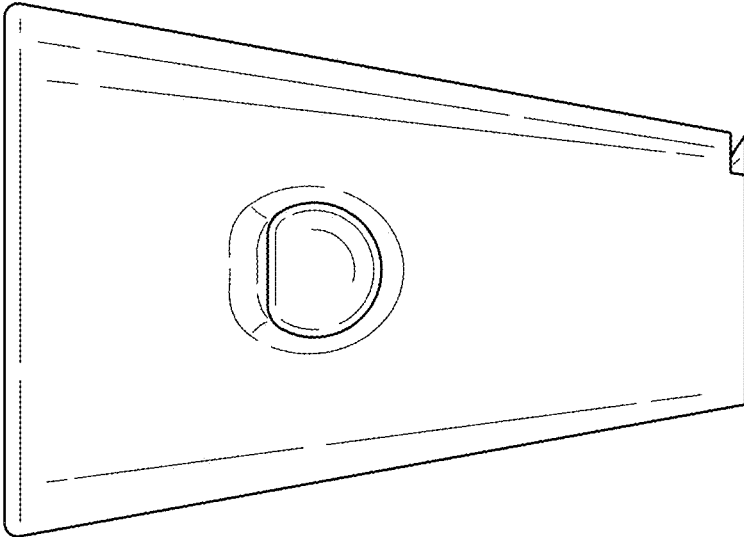


FIG. 4

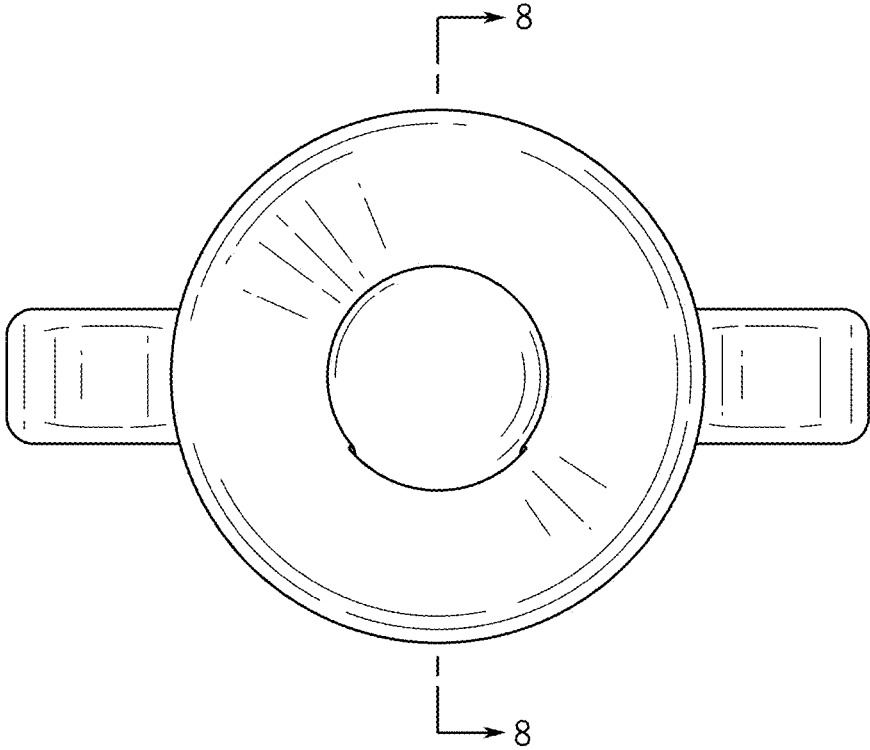


FIG. 6

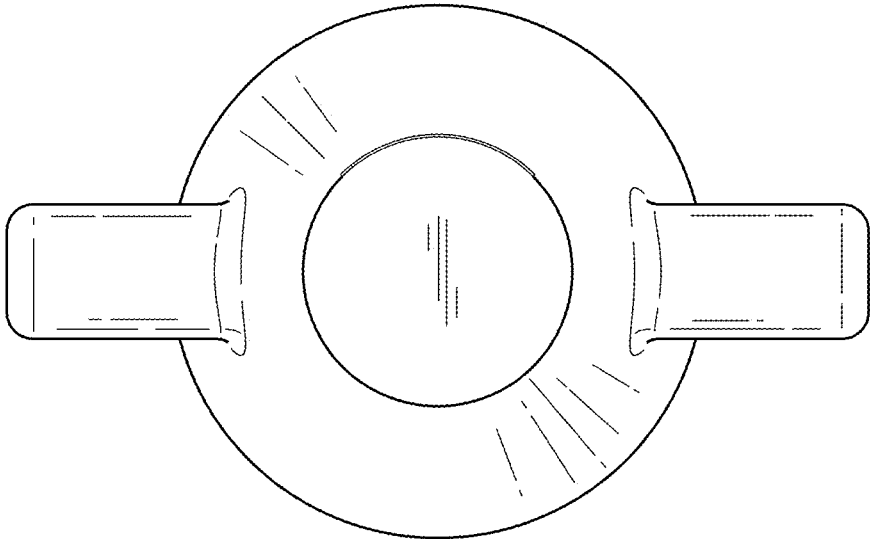


FIG. 7

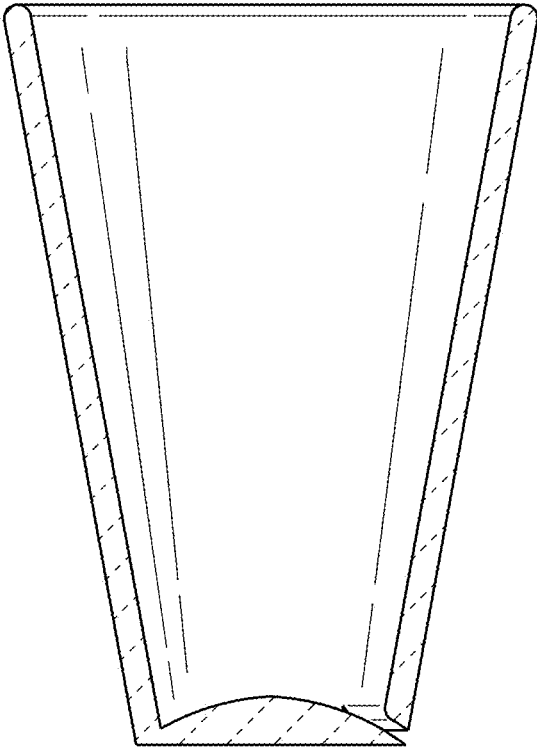


FIG. 8