

(19) World Intellectual Property  
Organization  
International Bureau



(43) International Publication Date  
18 November 2004 (18.11.2004)

PCT

(10) International Publication Number  
**WO 2004/100624 A3**

(51) International Patent Classification<sup>7</sup>: **F21V 21/00**,  
29/00, 7/04, B60Q 1/00, 1/06, F21S 4/00, H01L 33/00

(21) International Application Number:  
PCT/US2004/013941

(22) International Filing Date: 5 May 2004 (05.05.2004)

(25) Filing Language: English

(26) Publication Language: English

(30) Priority Data:  
60/467,847 5 May 2003 (05.05.2003) US

(71) Applicant (for all designated States except US): **COLOR KINETICS, INC.** [US/US]; 10 Milk Street, Suite 1100, Boston, MA 02108 (US).

(72) Inventors; and

(75) Inventors/Applicants (for US only): **ROBERGE, Brian** [US/US]; 4 TAM Shanter Road, Franklin, MA 02038 (US). **PIEPGRAS, Colin** [US/US]; 998 Humphrey, Swampscott, MA 01907 (US). **HYER, Jeff** [US/US]; 64 West Street, Franklin, MA 02038 (US). **MCCORMICK,**

**Kevin** [US/US]; 1525 Cambridge Street, Cambridge, MA 02139 (US). **SWAI, Peter** [US/US]; 182 Quincy Avenue, Apt. 21, Quincy, MA 02169 (US). **MORGAN, Frederick, M.**; 157 Butler Road, Quincy, MA 02169 (US). **KONDO, Steven, T.** [US/US]; 10 Anthony Lane, Danvers, MA 01923 (US).

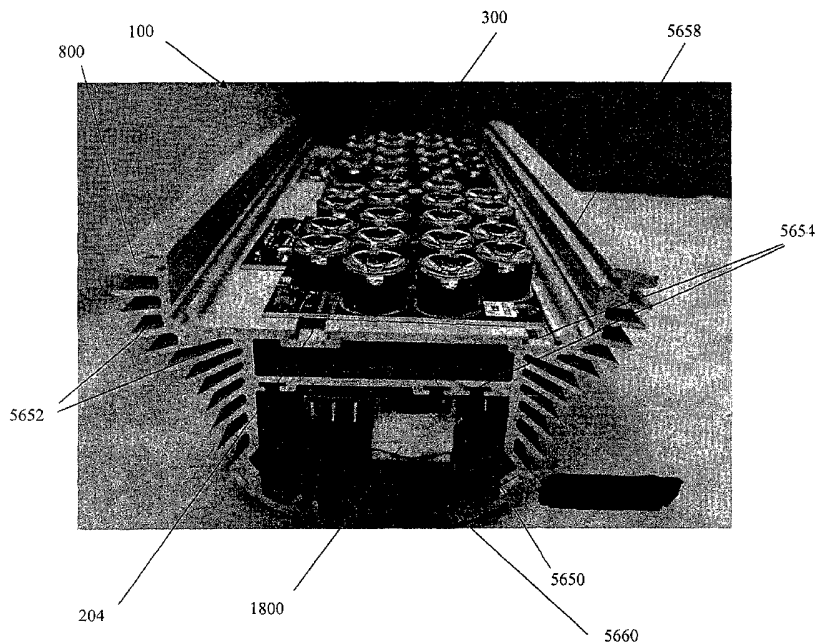
(74) Agent: **TEJA, Joseph, Jr.**; Lowrie, Lando & Anastasi, LLP, One Main Street, Cambridge, MA 02142 (US).

(81) Designated States (unless otherwise indicated, for every kind of national protection available): AE, AG, AL, AM, AT, AU, AZ, BA, BB, BG, BR, BW, BY, BZ, CA, CH, CN, CO, CR, CU, CZ, DE, DK, DM, DZ, EC, EE, EG, ES, FI, GB, GD, GE, GH, GM, HR, HU, ID, IL, IN, IS, JP, KE, KG, KP, KR, KZ, LC, LK, LR, LS, LT, LU, LV, MA, MD, MG, MK, MN, MW, MX, MZ, NA, NI, NO, NZ, OM, PG, PH, PL, PT, RO, RU, SC, SD, SE, SG, SK, SL, SY, TJ, TM, TN, TR, TT, TZ, UA, UG, US, UZ, VC, VN, YU, ZA, ZM, ZW.

(84) Designated States (unless otherwise indicated, for every kind of regional protection available): ARIPO (BW, GH, GM, KE, LS, MW, MZ, NA, SD, SL, SZ, TZ, UG, ZM, ZW), Eurasian (AM, AZ, BY, KG, KZ, MD, RU, TJ, TM), European (AT, BE, BG, CH, CY, CZ, DE, DK, EE, ES, FI,

[Continued on next page]

(54) Title: LIGHTING METHODS AND SYSTEMS



(57) Abstract: Methods and systems are provided for lighting systems, including high output linear lighting systems for various environments. The linear lighting systems may include power systems for driving light sources in high-voltage environments.

WO 2004/100624 A3



FR, GB, GR, HU, IE, IT, LU, MC, NL, PL, PT, RO, SE, SI,  
SK, TR), OAPI (BF, BJ, CF, CG, CI, CM, GA, GN, GQ,  
GW, ML, MR, NE, SN, TD, TG).

(88) **Date of publication of the international search report:**  
28 April 2005

**Published:**

- *with international search report*
- *before the expiration of the time limit for amending the claims and to be republished in the event of receipt of amendments*

*For two-letter codes and other abbreviations, refer to the "Guidance Notes on Codes and Abbreviations" appearing at the beginning of each regular issue of the PCT Gazette.*

**INTERNATIONAL SEARCH REPORT**

International application No.

PCT/US04/13941

**A. CLASSIFICATION OF SUBJECT MATTER**

IPC(7) : F21V 21/00,29/00,7/04; B60Q 1/00,1/06; F21S 4/00; H01L 33/00

US CL : 362/249,267,294,373,547,555,800

According to International Patent Classification (IPC) or to both national classification and IPC

**B. FIELDS SEARCHED**

Minimum documentation searched (classification system followed by classification symbols)

U.S. : 362/249,267,294,373,547,555,800

Documentation searched other than minimum documentation to the extent that such documents are included in the fields searched

Electronic data base consulted during the international search (name of data base and, where practicable, search terms used)

**C. DOCUMENTS CONSIDERED TO BE RELEVANT**

Category *	Citation of document, with indication, where appropriate, of the relevant passages	Relevant to claim No.
X --- Y	US 5,528,474 (RONEY et al) 18 June 1996 (18.06.1996), figure 2, column 1, line 62- column 2, line 3, column 3, lines 18-57.	1, 3 ----- 2, 4
X --- Y	US 6,402,347 B1 (MAAS et al) 11 June 2002 (11.06.2002), figure 1, column 2, lines 27- 37.	1, 3 ----- 2, 4
X --- Y	US 6,478,453 B2 (LAMMERS et al) 12 November 2002 (12.11.2002), column 3, lines 19- 35.	1, 3 ----- 2, 4
Y	US 5,640,061 (BORNHORST et al) 17 June 1997 (17.06.1997), column 1, lines 15-18.	2, 4
Y	US 6,340,868 B1 (LYS et al) 22 January 2002 (22.01.2002), column 65, lines 20-24.	2, 4
A	US 3,949,213 (PAITCHELL) 6 April 1976 (06.04.1976), column 4, lines 4-13.	1, 3



Further documents are listed in the continuation of Box C.



See patent family annex.

* Special categories of cited documents:		
"A" document defining the general state of the art which is not considered to be of particular relevance	"T"	later document published after the international filing date or priority date and not in conflict with the application but cited to understand the principle or theory underlying the invention
"E" earlier application or patent published on or after the international filing date	"X"	document of particular relevance; the claimed invention cannot be considered novel or cannot be considered to involve an inventive step when the document is taken alone
"L" document which may throw doubts on priority claim(s) or which is cited to establish the publication date of another citation or other special reason (as specified)	"Y"	document of particular relevance; the claimed invention cannot be considered to involve an inventive step when the document is combined with one or more other such documents, such combination being obvious to a person skilled in the art
"O" document referring to an oral disclosure, use, exhibition or other means		
"P" document published prior to the international filing date but later than the priority date claimed	"&"	document member of the same patent family

Date of the actual completion of the international search

29 November 2004 (29.11.2004)

Date of mailing of the international search report

**24 FEB 2005**

Name and mailing address of the ISA/US

Mail Stop PCT, Attn: ISA/US  
Commissioner for Patents  
P.O. Box 1450  
Alexandria, Virginia 22313-1450

Facsimile No. (703) 305-3230

Authorized officer

Sandra O'Shea

Telephone No. (571) 272-1550 *Jean Proctor*  
*Paralegal Sp.*

# INTERNATIONAL SEARCH REPORT

International application No.  
PCT/US04/13941

## C. (Continuation) DOCUMENTS CONSIDERED TO BE RELEVANT

Category *	Citation of document, with indication, where appropriate, of the relevant passages	Relevant to claim No.
A	US 4,450,511 (Micha) 22 May 1984 (22.05.1984), column 3, lines 33-35.	1, 3