



US00D828153S

(12) **United States Design Patent**
Sato

(10) **Patent No.:** **US D828,153 S**

(45) **Date of Patent:** **** Sep. 11, 2018**

- (54) **SELF-LOCKING NUT**
- (71) Applicant: **SATO RASHI Corporation**, Tokyo (JP)
- (72) Inventor: **Yoshinori Sato**, Tokyo (JP)
- (73) Assignee: **SATO RASHI CORPORATION**, Tokyo (JP)
- (**) Term: **15 Years**
- (21) Appl. No.: **29/573,293**
- (22) Filed: **Aug. 4, 2016**

D459,207	S	*	6/2002	Miyata	D8/397
D524,149	S	*	7/2006	Kim	D8/397
D551,972	S	*	10/2007	Jacobs	D9/445
7,374,382	B2	*	5/2008	Bentrim	F16B 37/068
						411/180
D609,999	S	*	2/2010	Andersson	D8/399
D646,153	S	*	10/2011	Andersson	D8/397
D646,154	S	*	10/2011	Andersson	D8/397
D679,988	S	*	4/2013	Yamazaki	D8/397
D738,714	S	*	9/2015	Kuhmichel	D8/397
9,377,047	B2	*	6/2016	Hill	F16B 5/0642
D798,701	S	*	10/2017	Hill	D8/397
D799,315	S	*	10/2017	May	D8/397
2008/0022505	A1	*	1/2008	Vogel	B21K 1/702
						29/525.02

(30) **Foreign Application Priority Data**

Feb. 25, 2016 (JP) 2016-004032

- (51) **LOC (11) Cl.** **08-08**
- (52) **U.S. Cl.**
USPC **D8/399**

(58) **Field of Classification Search**

USPC D8/399, 382, 349, 397, 394
 CPC F16B 39/24; F16B 31/028; F16B 39/28;
 F16B 41/002; E04G 25/065

See application file for complete search history.

(56) **References Cited**

U.S. PATENT DOCUMENTS

3,522,830	A	*	8/1970	Blizard	F16B 39/34	411/303
4,134,438	A	*	1/1979	Friberg	F16B 39/24	411/163
4,207,938	A	*	6/1980	Mortus	F16B 39/284	411/281
D311,131	S	*	10/1990	Saito	D8/397	
5,188,495	A	*	2/1993	Jones, Jr.	F16B 43/001	285/220

* cited by examiner

Primary Examiner — Cynthia R Underwood

(74) *Attorney, Agent, or Firm* — Sughrue Mion, PLLC

(57) **CLAIM**

The ornamental design for a self-locking nut, as shown and described.

DESCRIPTION

FIG. 1 is a front view of the self-locking nut of the invention. FIG. 2 is a back view of the self-locking nut of the invention. FIG. 3 is a left side view of the self-locking nut of the invention.

FIG. 4 is a right side view of the self-locking nut of the invention.

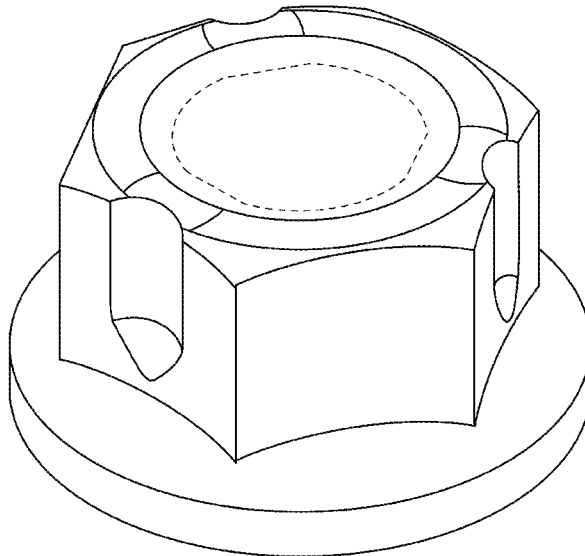
FIG. 5 is a top view of the self-locking nut of the invention.

FIG. 6 is a bottom view of the self-locking nut of the invention; and,

FIG. 7 is a perspective view of the self-locking nut of the invention.

The portions of the self-locking nut shown in broken lines in FIGS. 5-7 form no part of the claimed design.

1 Claim, 7 Drawing Sheets



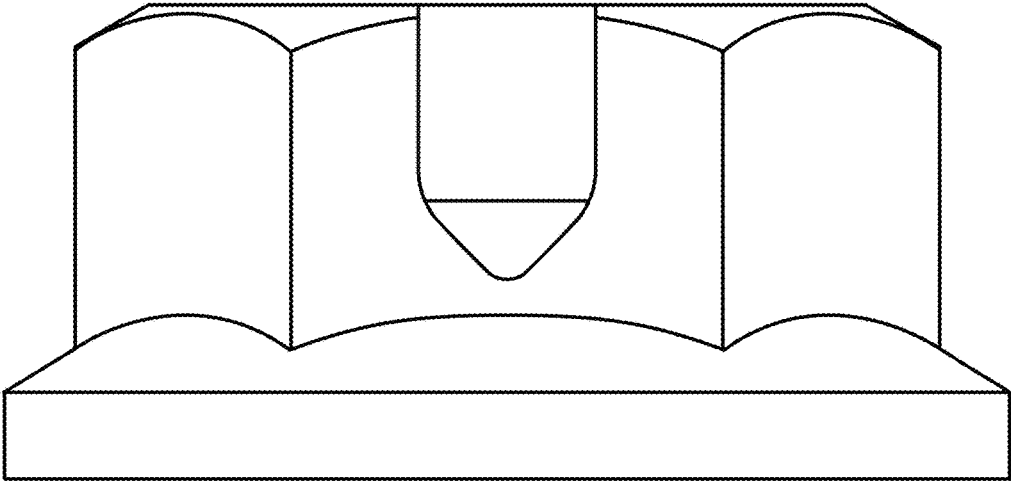


FIG. 1

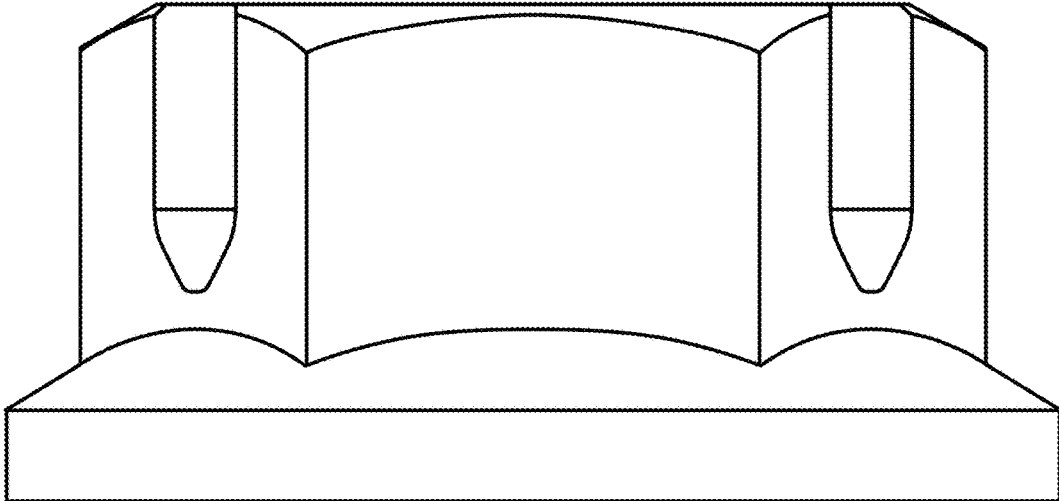


FIG. 2

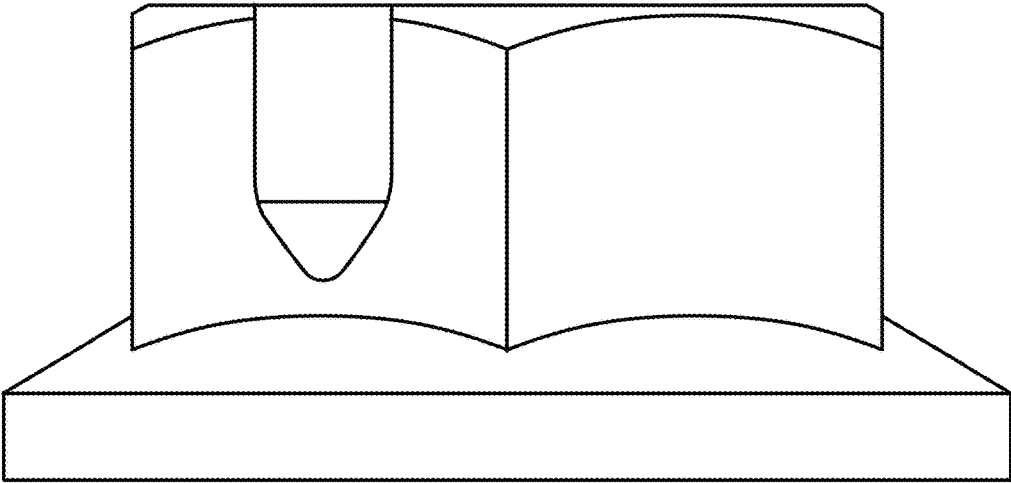


FIG. 3

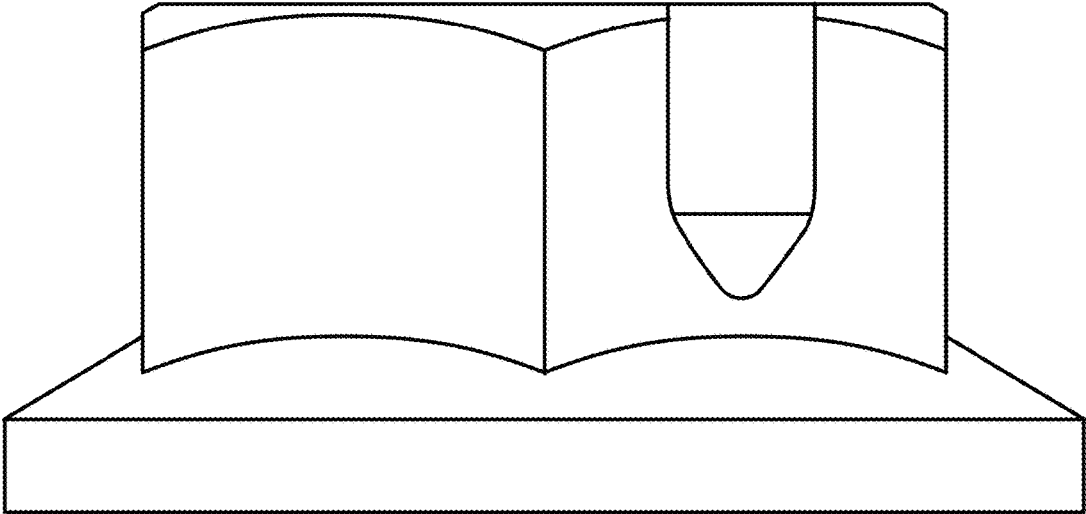


FIG. 4

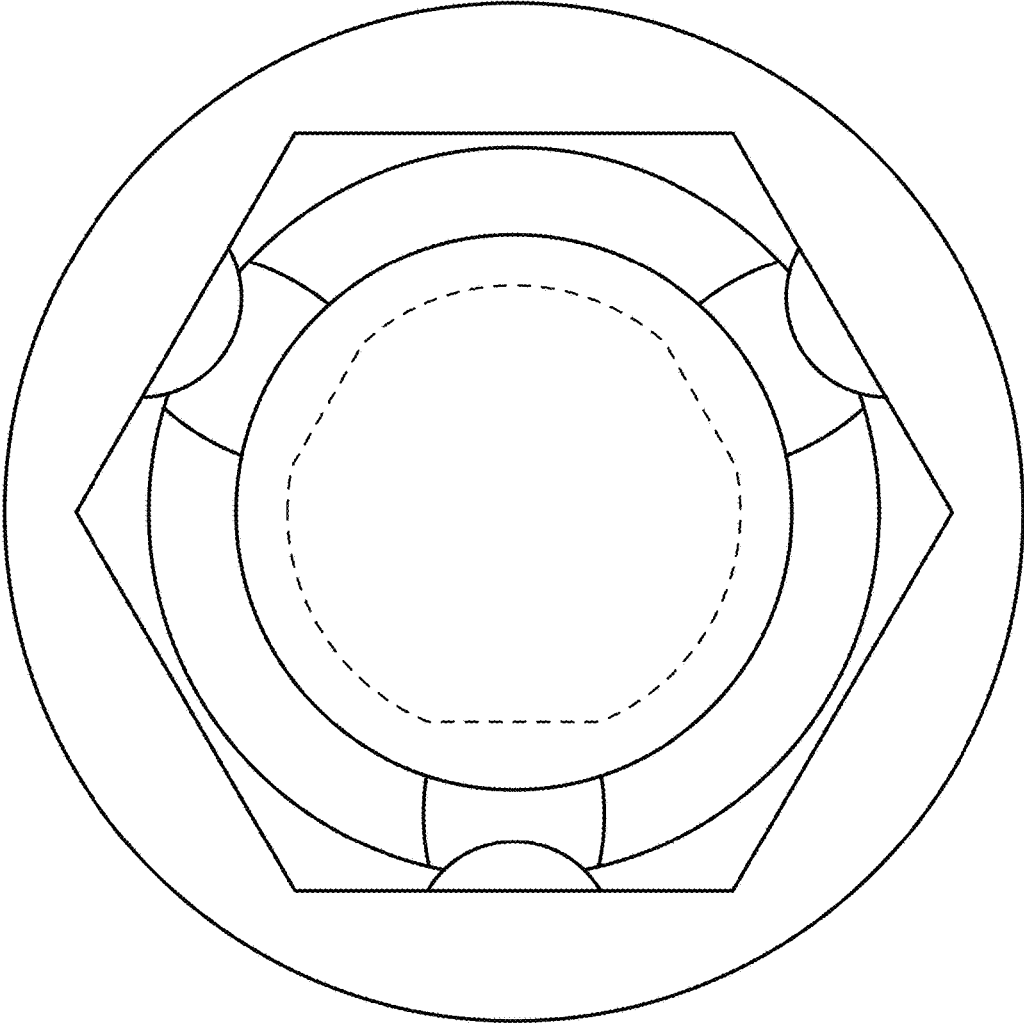


FIG. 5

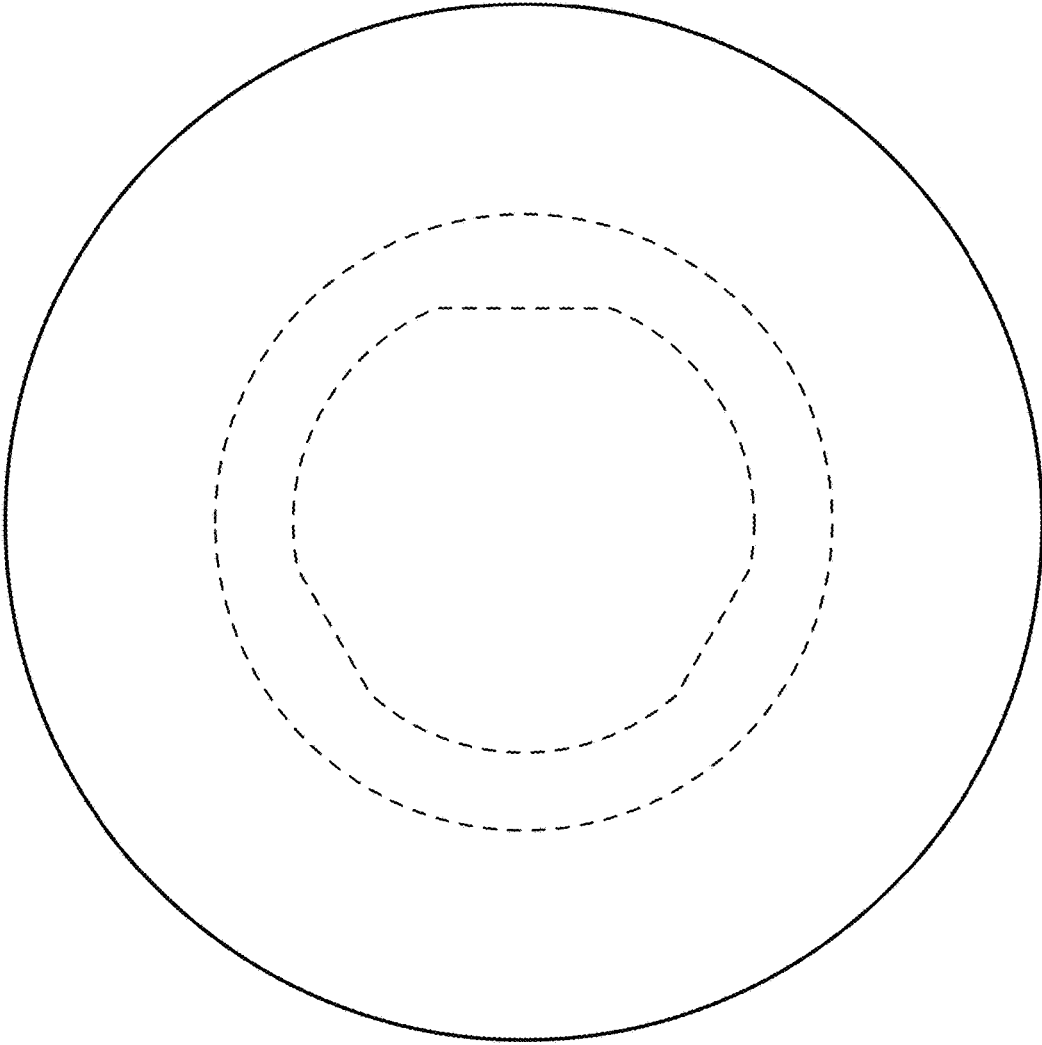


FIG. 6

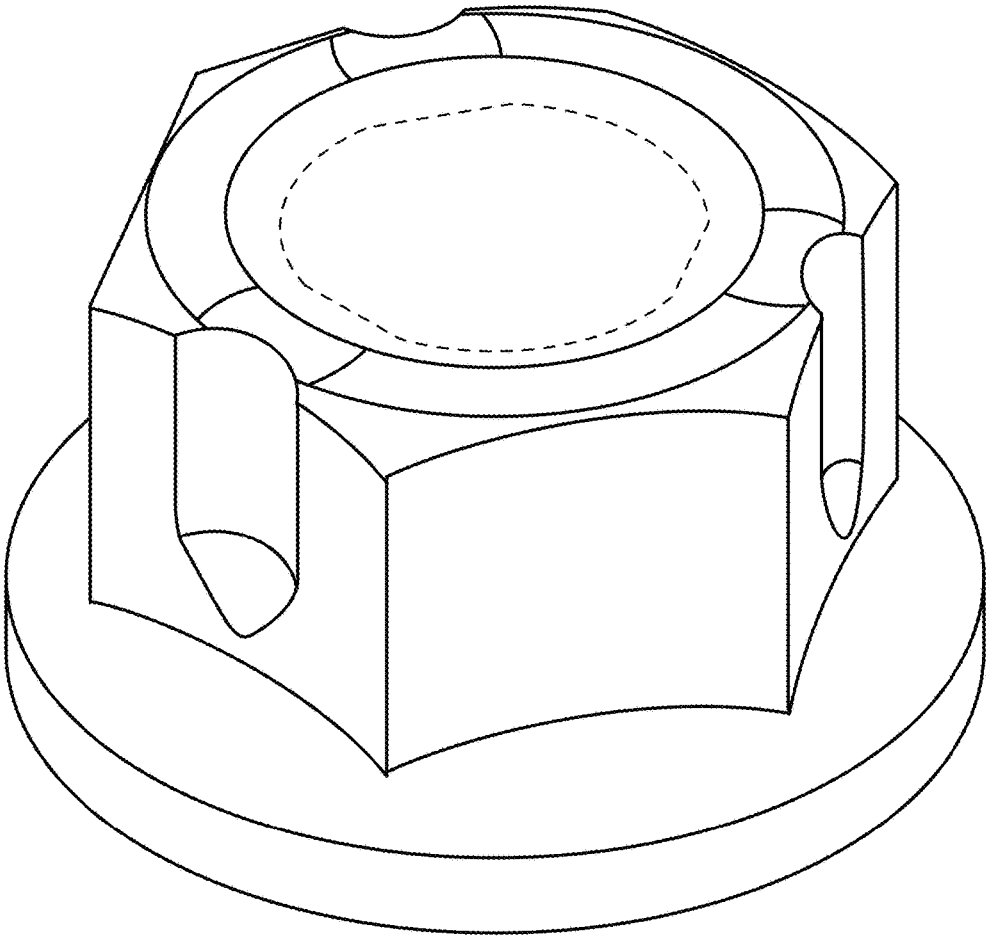


FIG. 7