

(19) World Intellectual Property Organization
International Bureau



(43) International Publication Date
23 October 2008 (23.10.2008)

PCT

(10) International Publication Number
WO 2008/126061 A3

- (51) International Patent Classification:
A61M 37/00 (2006.01) A61B 10/00 (2006.01)
- (21) International Application Number:
PCT/IB2008/051457
- (22) International Filing Date: 16 April 2008 (16.04.2008)
- (25) Filing Language: English
- (26) Publication Language: English
- (30) Priority Data:
200702604-0 16 April 2007 (16.04.2007) SG
200706104-7 27 August 2007 (27.08.2007) SG
60/969,961 5 September 2007 (05.09.2007) US

(74) Agent: SCHWEIGER, Martin; Schweiger & Partners (Singapore) LLP, 251B Victoria Street, Singapore 188035, (SG).

(81) Designated States (unless otherwise indicated, for every kind of national protection available): AE, AG, AL, AM, AO, AT, AU, AZ, BA, BB, BG, BH, BR, BW, BY, BZ, CA, CH, CN, CO, CR, CU, CZ, DE, DK, DM, DO, DZ, EC, EE, EG, ES, FI, GB, GD, GE, GH, GM, GT, HN, HR, HU, ID, IL, IN, IS, JP, KE, KG, KM, KN, KP, KR, KZ, LA, LC, LK, LR, LS, LT, LU, LY, MA, MD, ME, MG, MK, MN, MW, MX, MY, MZ, NA, NG, NI, NO, NZ, OM, PG, PH, PL, PT, RO, RS, RU, SC, SD, SE, SG, SK, SL, SM, SV, SY, TJ, TM, TN, TR, TT, TZ, UA, UG, US, UZ, VC, VN, ZA, ZM, ZW.

(84) Designated States (unless otherwise indicated, for every kind of regional protection available): ARIPO (BW, GH, GM, KE, LS, MW, MZ, NA, SD, SL, SZ, TZ, UG, ZM, ZW), Eurasian (AM, AZ, BY, KG, KZ, MD, RU, TJ, TM), European (AT, BE, BG, CH, CY, CZ, DE, DK, EE, ES, FI, FR, GB, GR, HR, HU, IE, IS, IT, LT, LU, LV, MC, MT, NL,

[Continued on next page]

- (71) Applicant and
- (72) Inventor: TAN, Aik, Huang, Terence [SG/SG]; Apt Blk 10, Unit 01-149, Telok Blangah Crescent, Singapore 090010 (SG).

(54) Title: MEDICAL DEVICE

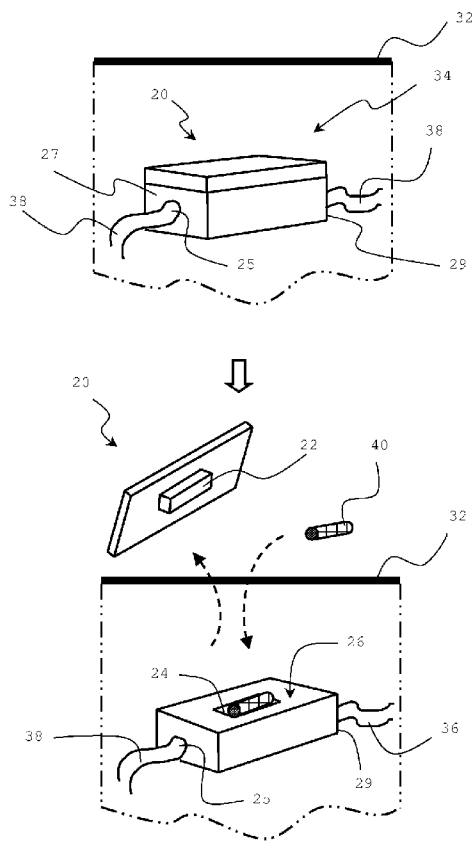


Fig. 2

(57) Abstract: There is provided a medical device (34) for implanting into a body of an animal or a human being. The medical device comprises a block container (26) comprising at least one receiving portion (24), a cover (20) that is configured to be attached to the block container (24) for enclosing the at least one receiving portion (24) and a first duct (14) connecting between a first opening (25) on an external surface (27) of the block container (26) and the at least one receiving portion (24)

WO 2008/126061 A3



NO, PL, PT, RO, SE, SI, SK, TR), OAPI (BF, BJ, CF, CG, CI, CM, GA, GN, GQ, GW, ML, MR, NE, SN, TD, TG).

— *before the expiration of the time limit for amending the claims and to be republished in the event of receipt of amendments*

Published:

— *with international search report*

(88) Date of publication of the international search report:

19 February 2009

INTERNATIONAL SEARCH REPORT

International application No.
PCT/IB 2008/051457

A. CLASSIFICATION OF SUBJECT MATTER IPC^B: A61M 37/00 (2006.01); A61B 10/00 (2006.01) According to International Patent Classification (IPC) or to both national classification and IPC		
B. FIELDS SEARCHED Minimum documentation searched (classification system followed by classification symbols) IPC^B: A61M 37/00, A61B 10/00		
Documentation searched other than minimum documentation to the extent that such documents are included in the fields searched		
Electronic data base consulted during the international search (name of data base and, where practicable, search terms used) WPI		
C. DOCUMENTS CONSIDERED TO BE RELEVANT		
Category*	Citation of document, with indication, where appropriate, of the relevant passages	Relevant to claim No.
A	WO 1994/003126 A1 (THE UNIVERSITY OF TOLEDO) 17 February 1994 (17.02.1994) <i>whole document</i>	1, 5, 17, 20
<input type="checkbox"/> Further documents are listed in the continuation of Box C. <input checked="" type="checkbox"/> See patent family annex.		
* Special categories of cited documents: "A" document defining the general state of the art which is not considered to be of particular relevance "E" earlier application or patent but published on or after the international filing date "L" document which may throw doubts on priority claim(s) or which is cited to establish the publication date of another citation or other special reason (as specified) "O" document referring to an oral disclosure, use, exhibition or other means "P" document published prior to the international filing date but later than the priority date claimed "T" later document published after the international filing date or priority date and not in conflict with the application but cited to understand the principle or theory underlying the invention "X" document of particular relevance; the claimed invention cannot be considered novel or cannot be considered to involve an inventive step when the document is taken alone "Y" document of particular relevance; the claimed invention cannot be considered to involve an inventive step when the document is combined with one or more other such documents, such combination being obvious to a person skilled in the art "&" document member of the same patent family		
Date of the actual completion of the international search 3 December 2008 (03.12.2008)		Date of mailing of the international search report 16 December 2008 (16.12.2008)
Name and mailing address of the ISA/ AT Austrian Patent Office Dresdner Straße 87, A-1200 Vienna Facsimile No. +43 / 1 / 534 24 / 535		Authorized officer NARDAI F. Telephone No. +43 / 1 / 534 24 / 347

INTERNATIONAL SEARCH REPORT
Information on patent family members

International application No.
PCT/IB 2008/051457

Patent document cited in search report	Publication date	Patent family member(s)	Publication date
WO A 1994003126		none	