



US00D764328S

(12) **United States Design Patent**  
**Lafrance et al.**

(10) **Patent No.:** **US D764,328 S**

(45) **Date of Patent:** **\*\* Aug. 23, 2016**

(54) **PORTABLE TEST INSTRUMENT**  
  
(71) Applicant: **EXFO INC.**, Quebec (CA)  
  
(72) Inventors: **Denis Lafrance**, Quebec (CA);  
**Sébastien Nadeau**,  
Saint-Augustin-de-Desmaures (CA)

(73) Assignee: **EXFO INC.**, Québec, QC

(\*\*) Term: **14 Years**

(21) Appl. No.: **29/525,702**

(22) Filed: **May 1, 2015**

(51) **LOC (10) Cl.** ..... **10-04**

(52) **U.S. Cl.**  
USPC ..... **D10/75; D10/78**

(58) **Field of Classification Search**  
USPC ..... D10/75, 78  
CPC . G01N 21/47; G01N 21/4738; G01N 21/474;  
G01N 21/4785; G01N 21/4788; G01N  
21/4795; G01N 21/49; G01N 21/51; G01N  
21/53; G01N 21/532; G01N 21/534; G01N  
21/538; G01N 21/55; G01N 21/552; G01N  
21/553; G01N 21/554

See application file for complete search history.

(56) **References Cited**

**U.S. PATENT DOCUMENTS**

4,929,084 A \* 5/1990 Mast ..... G01J 3/02  
356/328  
5,260,584 A \* 11/1993 Popson ..... G01N 21/474  
250/205  
D366,220 S \* 1/1996 Sakamoto ..... D10/65  
D430,048 S \* 8/2000 Hoofnagle ..... D10/78  
D444,085 S \* 6/2001 Wrisley ..... D10/78  
D474,413 S \* 5/2003 Hoofnagle ..... D10/78  
6,738,454 B2 \* 5/2004 Mohammadian ..... H04M 3/244  
379/1.01  
6,801,307 B2 \* 10/2004 Ziegler ..... H04M 3/308  
356/73.1  
D518,394 S \* 4/2006 Lipscomb ..... D10/78  
D543,475 S \* 5/2007 Janky ..... D10/78  
D543,878 S \* 6/2007 Castillo ..... D10/78

D552,496 S \* 10/2007 Janky ..... D10/78  
7,302,361 B2 \* 11/2007 Baleta ..... H04L 12/2697  
379/21  
D570,716 S \* 6/2008 Gerold ..... D10/78  
D572,615 S \* 7/2008 Gerold ..... D10/78  
D596,749 S \* 7/2009 Johnson ..... D24/211  
D596,969 S \* 7/2009 Igelmund ..... D10/75  
D606,432 S \* 12/2009 Winterhalter ..... D10/104.1  
D649,893 S \* 12/2011 Beeke ..... D10/78  
D652,747 S \* 1/2012 Ferris ..... D10/49  
D668,564 S \* 10/2012 Poirier ..... D10/70  
D710,222 S \* 8/2014 Nadeau ..... D10/65  
D714,171 S \* 9/2014 Hoofnagle ..... D10/78  
D739,277 S \* 9/2015 Martel ..... D10/78

**OTHER PUBLICATIONS**

Exfo Inc., Specification Sheet, MaxTester 715B Last-Mile OTDR,  
Mar. 2014, pp. 1-7, Canada.

\* cited by examiner

*Primary Examiner* — Antoine D Davis

(74) *Attorney, Agent, or Firm* — Norton Rose Fulbright  
Canada LLP; Alexandre Daoust

(57) **CLAIM**

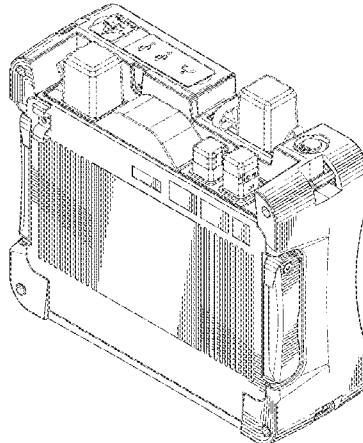
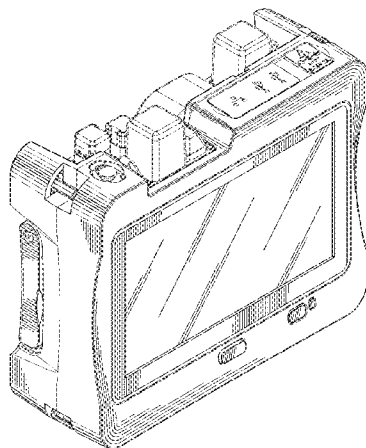
The ornamental design for a portable test instrument, as  
shown and described.

**DESCRIPTION**

FIG. 1 is an oblique frontal view of a portable test instrument  
showing our new design;  
FIG. 2 is a top plan view thereof;  
FIG. 3 is a front elevation view thereof;  
FIG. 4 is a bottom plan view thereof;  
FIG. 5 is a rear elevation view thereof;  
FIG. 6 is a left side elevation view thereof;  
FIG. 7 right side elevation view thereof;  
FIG. 8 is an oblique rear view thereof; and,  
FIG. 9 is another oblique frontal view thereof, taken from  
below.

The dashed line showing of structural lines is included for the  
purpose of illustrating non-claimed subject matter and forms  
no part of the claimed design.

**1 Claim, 6 Drawing Sheets**



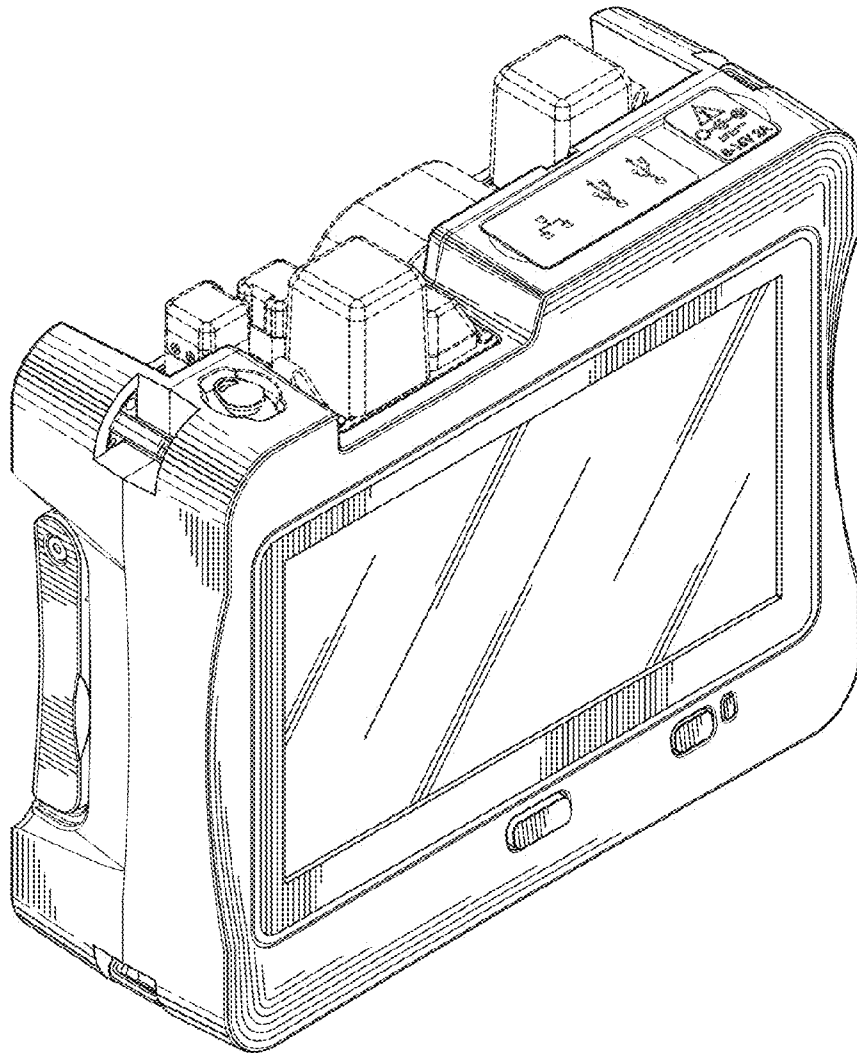


FIG. 1

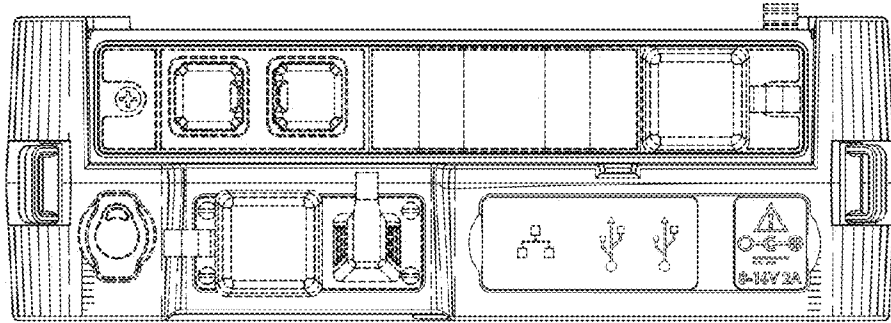


FIG. 2

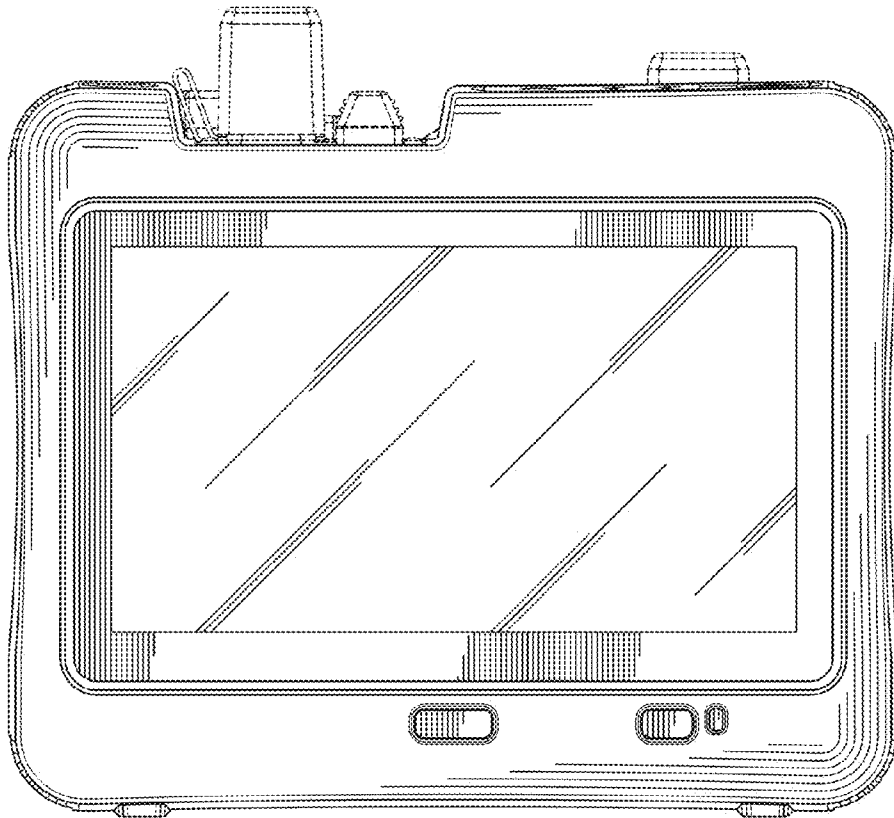


FIG. 3

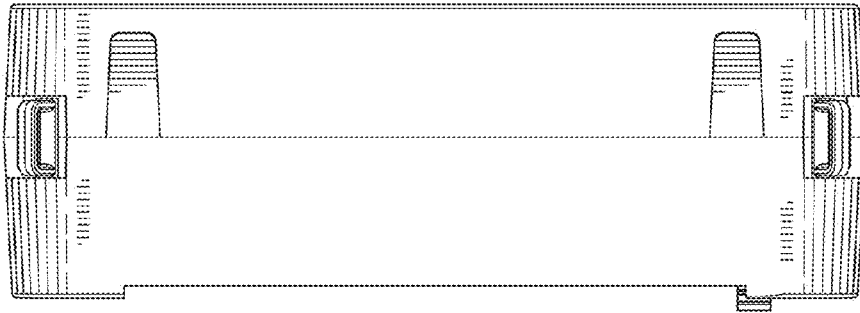


FIG. 4

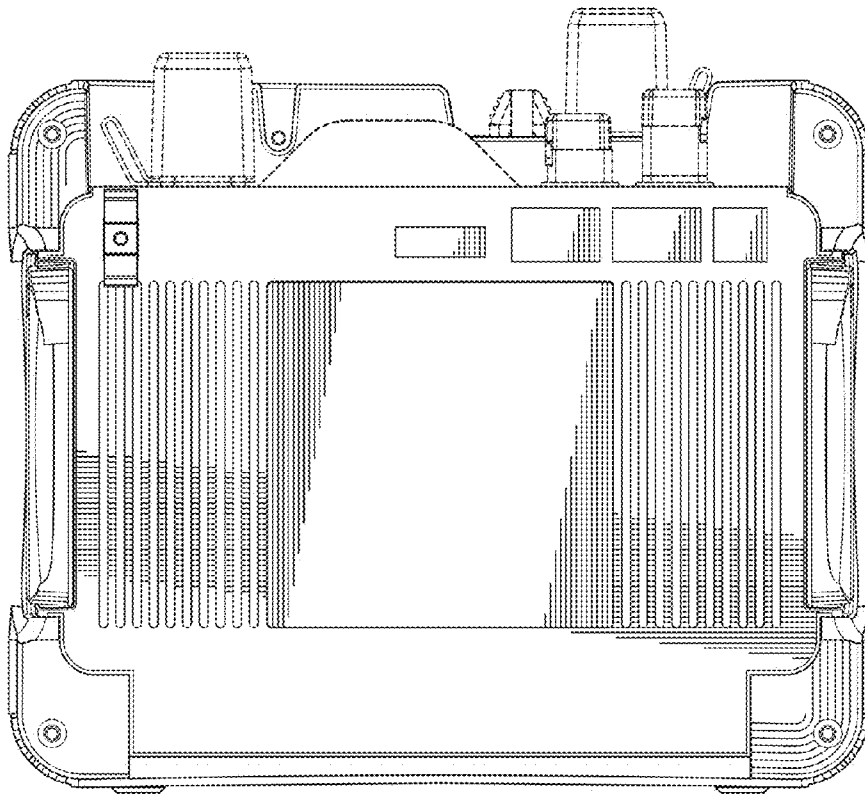


FIG. 5

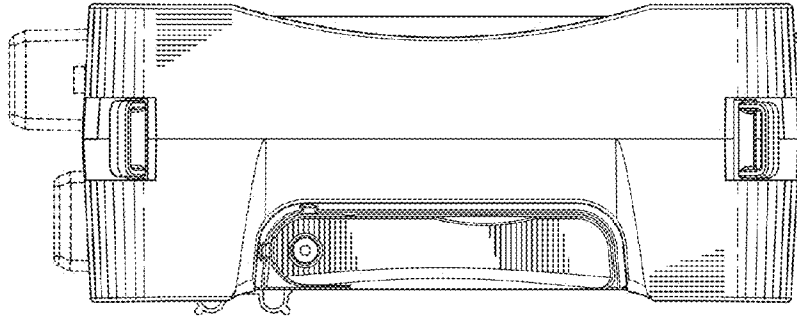


FIG. 7

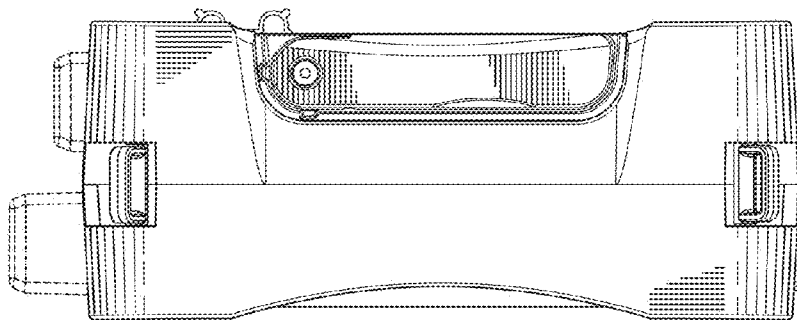


FIG. 8

