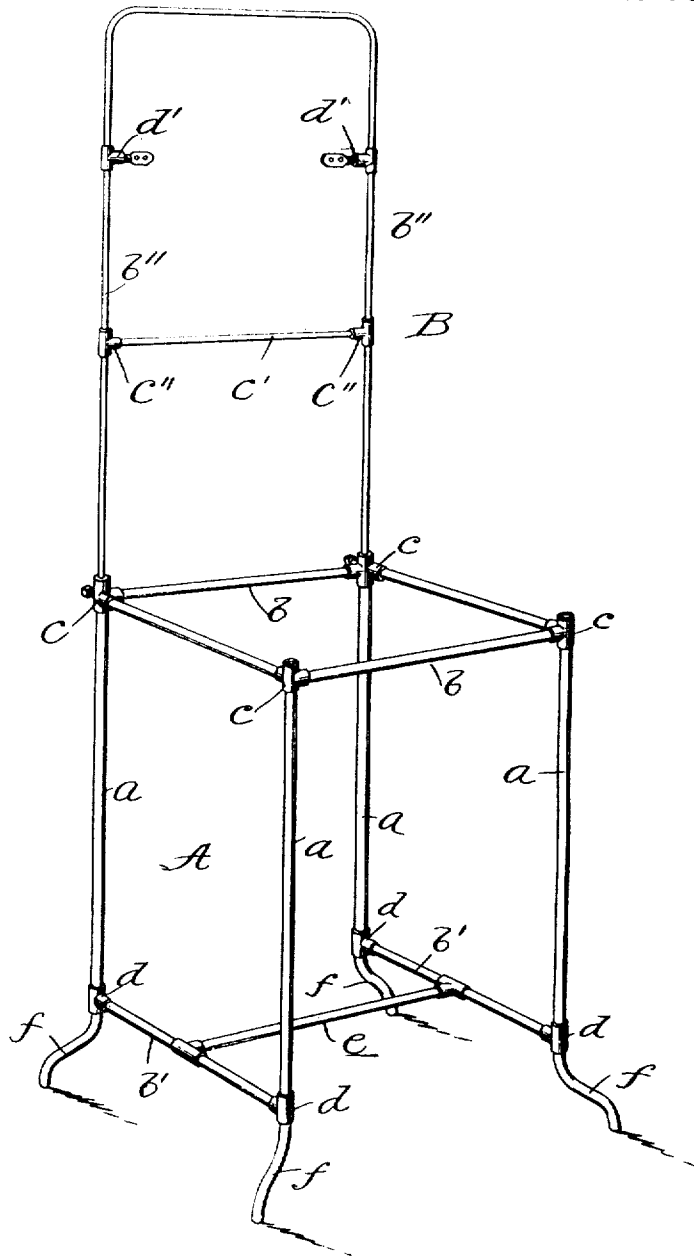


DESIGN.

R. C. WHAYNE.
FRAME FOR WASHSTANDS.

No. 25,730.

Patented June 30, 1896.



Witnesses
 Wm. J. Fleming
 S. M. Rheems

Inventor
 R. C. Whayne
 by Elliott & Hopkin's Attys

UNITED STATES PATENT OFFICE.

ROBERT C. WHAYNE, OF LOUISVILLE, KENTUCKY.

DESIGN FOR A FRAME FOR WASHSTANDS.

SPECIFICATION forming part of Design No. 25,730, dated June 30, 1896.

Application filed January 13, 1896. Serial No. 575,386. Term of patent 7 years.

To all whom it may concern:

Be it known that I, ROBERT C. WHAYNE, a citizen of the United States, residing at Louisville, in the county of Jefferson and State of Kentucky, have invented and produced a certain new and original Design or Shape for Frames for Washstands, Dressers, and other Similar Articles of Furniture, of which the following, in connection with the accompanying drawing, is a full, clear, and exact specification.

The said drawing represents a perspective view of a washstand or dresser frame embodying my design.

The leading features of my design consist of the skeleton-like rectangular frame A, constituting a parallelepipedon, forming the body portion of the article, the rectangular frame B, rising from the back portion of said frame A and being vertically elongated, the cross-bar C', dividing said vertically-elongated frame at about its mid-length and forming with the top part of said elongated frame B an open rectangular space, which is unobstructed excepting by two inwardly-projecting portions D', located about midway between the cross-bar C' and the top portion of the frame B.

The body portion or frame A is composed of a number of vertical rods or sticks *a*, which constitute the corners of the rectangular frame A and which are connected together at their upper ends by horizontally-arranged rods or sticks *b* and corner joints or fittings

e, the lower ends of the vertical rods *a* being joined at the sides of the frame A by horizontal sticks *b'*, connected to the sticks *a* by joints *d*, and being themselves connected by a horizontal cross-bar *e*, having its ends connected to the bars or sticks *b'* about midway of their length. The lower ends of the vertical sticks or rods *a*, below the joints D, are turned or curved outwardly, so as to form feet *f*.

The frame B is composed of a rod or bar *b''*, bent or bowed into substantially oblong rectangular form and having its lower ends or extremities rising from the rear joints *e*, the side portions of the bowed bar or rod *b''* being connected together by a horizontal cross-bar *c'*, at whose ends are located joints *e''*. About midway between the cross-bar *c'* and the top of the frame B are located the trunnions or brackets *d'* for the support of a mirror. (Not shown and forming no part of this design.)

Having thus described my invention, what I claim as new therein, and desire to secure by Letters Patent, is—

The herein-described new and original design or shape for frames for washstands, dressers and other like articles of furniture, substantially as set forth and shown.

R. C. WHAYNE.

Witnesses:

LYMAN L. PARKS,
EDNA B. JOHNSON.