

(19) World Intellectual Property Organization
International Bureau



(43) International Publication Date
20 October 2005 (20.10.2005)

PCT

(10) International Publication Number
WO 2005/097442 A3

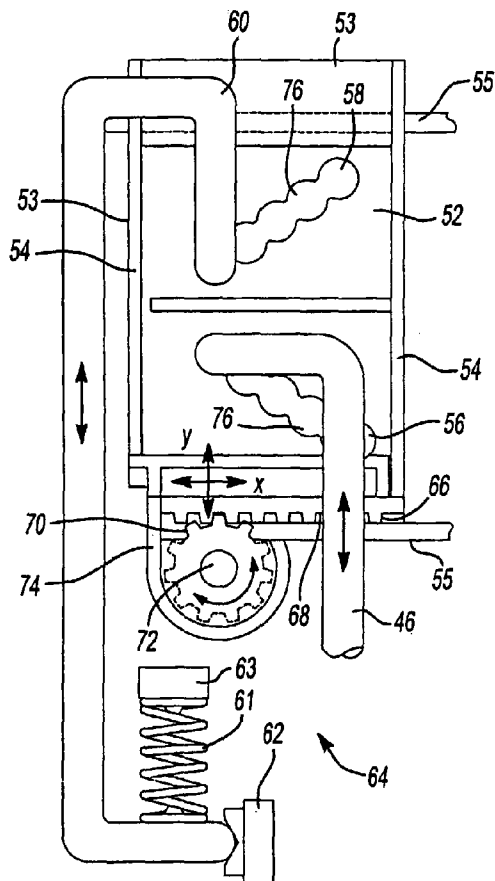
- (51) International Patent Classification:
B25C 7/00 (2006.01) *B27F 7/17* (2006.01)
- (21) International Application Number:
PCT/US2005/011284
- (22) International Filing Date: 1 April 2005 (01.04.2005)
- (25) Filing Language: English
- (26) Publication Language: English
- (30) Priority Data:
60/559,343 2 April 2004 (02.04.2004) US
11/068,344 28 February 2005 (28.02.2005) US
- (63) Related by continuation (CON) or continuation-in-part (CIP) to earlier application:
US 11/068,344 (CON)
Filed on 28 February 2005 (28.02.2005)
- (71) Applicant (for all designated States except US): **BLACK & DECKER INC.** [US/US]; 1207 Drummond Plaza, Newark, Delaware 19711 (US).
- (72) Inventors; and
- (75) Inventors/Applicants (for US only): **SCHELL, Craig A.**

[US/US]; 2716 Kildaire Drive, Baltimore, Maryland 21234 (US). **BASKAR, Ashok S.** [US/US]; 510 W. Seminary Avenue, Lutherville, Maryland 21093 (US). **GROSS, Paul G.** [US/US]; 11202 Bird River Grove Rd., White Marsh, Maryland 21162 (US). **BRADENBAUGH, IV, Charles L.** [US/US]; P.O. Box 428, Fincastle, Virginia 24090 (US). **BERRY, Robert A.** [US/US]; P.O. Box 428, Fincastle, Virginia 24090 (US). **TOMAYKO, David C.** [US/US]; 2922 Greenway Drive, Ellicott City, Maryland 21042 (US). **XU, Li** [CN/US]; 10821 Yellow Dahlia Drive, Woodstock, Maryland 21163 (US).

- (74) Agents: **MASSEY, Ryan W.** et al.; **HARNESS, DICKEY & PIERCE, P.L.C.**, P. O. Box 828, Bloomfield Hills, Michigan 48303 (US).
- (81) Designated States (unless otherwise indicated, for every kind of national protection available): AE, AG, AL, AM, AT, AU, AZ, BA, BB, BG, BR, BW, BY, BZ, CA, CH, CN, CO, CR, CU, CZ, DE, DK, DM, DZ, EC, EE, EG, ES, FI, GB, GD, GE, GH, GM, HR, HU, ID, IL, IN, IS, JP, KE, KG, KP, KR, KZ, LC, LK, LR, LS, LT, LU, LV, MA, MD,

[Continued on next page]

(54) Title: CONTACT TRIP MECHANISM FOR NAILER



(57) Abstract: A contact trip assembly for a power nailer, wherein a contact member includes a curved portion that loops rearwardly towards a handle of the nailer. Also provided is an adjustment assembly including an adjustment plate and a pinion gear, a trigger that is slidably engageable within a housing of the tool, a trigger lock including a ring element, an anti-discharge mechanism including a stop member, and a contact trip lock.

WO 2005/097442 A3



MG, MK, MN, MW, MX, MZ, NA, NI, NO, NZ, OM, PG, PH, PL, PT, RO, RU, SC, SD, SE, SG, SK, SL, SM, SY, TJ, TM, TN, TR, TT, TZ, UA, UG, UZ, VC, VN, YU, ZA, ZM, ZW.

- (84) Designated States** (*unless otherwise indicated, for every kind of regional protection available*): ARIPO (BW, GH, GM, KE, LS, MW, MZ, NA, SD, SL, SZ, TZ, UG, ZM, ZW), Eurasian (AM, AZ, BY, KG, KZ, MD, RU, TJ, TM), European (AT, BE, BG, CH, CY, CZ, DE, DK, EE, ES, FI, FR, GB, GR, HU, IE, IS, IT, LT, LU, MC, NL, PL, PT, RO, SE, SI, SK, TR), OAPI (BF, BJ, CF, CG, CI, CM, GA, GN, GQ, GW, ML, MR, NE, SN, TD, TG).

Declarations under Rule 4.17:

- *as to applicant's entitlement to apply for and be granted a patent (Rule 4.17(ii))*

- *as to the applicant's entitlement to claim the priority of the earlier application (Rule 4.17(iii))*

Published:

- *with international search report*
— *before the expiration of the time limit for amending the claims and to be republished in the event of receipt of amendments*

(88) Date of publication of the international search report:

1 March 2007

For two-letter codes and other abbreviations, refer to the "Guidance Notes on Codes and Abbreviations" appearing at the beginning of each regular issue of the PCT Gazette.

INTERNATIONAL SEARCH REPORT

International application No.
PCT/US05/11284

A. CLASSIFICATION OF SUBJECT MATTER
 IPC: **B25C 7/00(2007.01);B27F 7/17(2007.01)**

 USPC: **227/8,142**
 According to International Patent Classification (IPC) or to both national classification and IPC

B. FIELDS SEARCHED
 Minimum documentation searched (classification system followed by classification symbols)
 U.S. : 227/8,142

Documentation searched other than minimum documentation to the extent that such documents are included in the fields searched

Electronic data base consulted during the international search (name of data base and, where practicable, search terms used)

C. DOCUMENTS CONSIDERED TO BE RELEVANT

Category *	Citation of document, with indication, where appropriate, of the relevant passages	Relevant to claim No.
A	US 5,219,110 A (MUKOYAMA) 15 June 1993 (15.06.1993), See entire document.	1-10
A	US 5,715,982 A (ADACHI) 10 February 1998 (10.02.1998), See entire document.	1-10
A	US 6,024,267 A (CHEN) 15 February 2000 (15.02.2000), See entire document.	1-10
A	US 6,186,386 A (CANLAS et al.) 13 February 2001 (13.02.2001), See entire document.	1-10
X, P	US 6,783,044 A (PERRA et al.) 31 August 2004 (31.08.2004), See entire document.	1 and 9
Y, P	US 6,866,177 B1 (CHEN) 15 March 2005 (15.03.2005), See entire document.	1 and 9

Further documents are listed in the continuation of Box C. See patent family annex.

* Special categories of cited documents:		
"A"	document defining the general state of the art which is not considered to be of particular relevance	"T" later document published after the international filing date or priority date and not in conflict with the application but cited to understand the principle or theory underlying the invention
"E"	earlier application or patent published on or after the international filing date	"X" document of particular relevance; the claimed invention cannot be considered novel or cannot be considered to involve an inventive step when the document is taken alone
"L"	document which may throw doubts on priority claim(s) or which is cited to establish the publication date of another citation or other special reason (as specified)	"Y" document of particular relevance; the claimed invention cannot be considered to involve an inventive step when the document is combined with one or more other such documents, such combination being obvious to a person skilled in the art
"O"	document referring to an oral disclosure, use, exhibition or other means	
"P"	document published prior to the international filing date but later than the priority date claimed	"&" document member of the same patent family

Date of the actual completion of the international search: **25 September 2006 (25.09.2006)**
 Date of mailing of the international search report: **15 DEC 2006**

Name and mailing address of the ISA/US Mail Stop PCT, Attn: ISA/US Commissioner for Patents P.O. Box 1450 Alexandria, Virginia 22313-1450 Facsimile No. (571) 273-3201	Authorized officer Scott A. Smith <i>Sharm N Green for</i> Telephone No. 571-272-3700
---	---

INTERNATIONAL SEARCH REPORT

International application No.

PCT/US05/11284

Box No. II Observations where certain claims were found unsearchable (Continuation of item 2 of first sheet)

This international search report has not been established in respect of certain claims under Article 17(2)(a) for the following reasons:

1. Claims Nos.:
because they relate to subject matter not required to be searched by this Authority, namely:

2. Claims Nos.:
because they relate to parts of the international application that do not comply with the prescribed requirements to such an extent that no meaningful international search can be carried out, specifically:

3. Claims Nos.:
because they are dependent claims and are not drafted in accordance with the second and third sentences of Rule 6.4(a).

Box No. III Observations where unity of invention is lacking (Continuation of item 3 of first sheet)

This International Searching Authority found multiple inventions in this international application, as follows:
Please See Continuation Sheet

1. As all required additional search fees were timely paid by the applicant, this international search report covers all searchable claims.
 2. As all searchable claims could be searched without effort justifying additional fees, this Authority did not invite payment of any additional fees.
 3. As only some of the required additional search fees were timely paid by the applicant, this international search report covers only those claims for which fees were paid, specifically claims Nos.:

 4. No required additional search fees were timely paid by the applicant. Consequently, this international search report is restricted to the invention first mentioned in the claims; it is covered by claims Nos.: 1-10
- Remark on Protest**
- The additional search fees were accompanied by the applicant's protest and, where applicable, the payment of a protest fee.
 - The additional search fees were accompanied by the applicant's protest but the applicable protest fee was not paid within the time limit specified in the invitation.
 - No protest accompanied the payment of additional search fees.