



US00D698357S

(12) **United States Design Patent**  
**Mainville et al.**

(10) **Patent No.:** **US D698,357 S**

(45) **Date of Patent:** **\*\* Jan. 28, 2014**

(54) **JOYSTICK**

(75) Inventors: **Patrick Mainville**, Montreal (CA);  
**Thomas-Eric Beliveau**, Montreal (CA)

(73) Assignee: **Marine Canada Acquisition Inc.**,  
Richmond (CA)

(\*\*) Term: **14 Years**

(21) Appl. No.: **29/413,250**

(22) Filed: **Feb. 13, 2012**

(51) **LOC (10) Cl.** ..... **14-03**

(52) **U.S. Cl.**  
USPC ..... **D14/412**; D12/174

(58) **Field of Classification Search**  
USPC ..... D14/217, 218, 356, 388, 389, 400, 401,  
D14/412–416, 432–434, 454, 496;  
D21/324, 332, 333; D34/27, 35; 463/1,  
463/30, 36–38, 46, 47; 345/156–161, 905;  
D12/174, 178–180; D8/300, 303;  
D15/138, 142; 74/489, 502.2, 523,  
74/551.8, 551.9

See application file for complete search history.

(56) **References Cited**

**U.S. PATENT DOCUMENTS**

D303,815 S \* 10/1989 Kim ..... D14/416  
D357,906 S \* 5/1995 Fukushima ..... D14/358  
D397,734 S \* 9/1998 Hayes et al. .... D21/333  
D440,918 S \* 4/2001 Pfeiffer ..... D12/179  
D440,919 S \* 4/2001 Pfeiffer ..... D12/179

D441,370 S \* 5/2001 Alviar ..... D14/413  
D463,765 S \* 10/2002 Pfeiffer et al. .... D12/179  
D464,333 S \* 10/2002 Rath ..... D14/149  
D493,441 S \* 7/2004 Sabick et al. .... D14/149  
D577,359 S \* 9/2008 Cigarini ..... D14/416  
D586,863 S \* 2/2009 Kamei ..... D21/332  
D586,864 S \* 2/2009 Kamei ..... D21/332  
D599,829 S \* 9/2009 Jorgensen et al. .... D15/28  
D640,258 S \* 6/2011 Hobenshield et al. .... D14/412  
D645,046 S \* 9/2011 Hobenshield et al. .... D14/412  
D680,404 S \* 4/2013 Ramsland et al. .... D8/300  
D688,672 S \* 8/2013 Seo et al. .... D14/451

\* cited by examiner

*Primary Examiner* — Keli L Hill

(74) *Attorney, Agent, or Firm* — Cameron IP

(57) **CLAIM**

The ornamental design for a joystick, as shown and described.

**DESCRIPTION**

FIG. 1 is a side front, perspective view of a first embodiment of our design;

FIG. 2 is a side elevational view of the design of FIG. 1 shown from the side opposite to that of FIG. 1;

FIG. 3 is a front elevational view thereof;

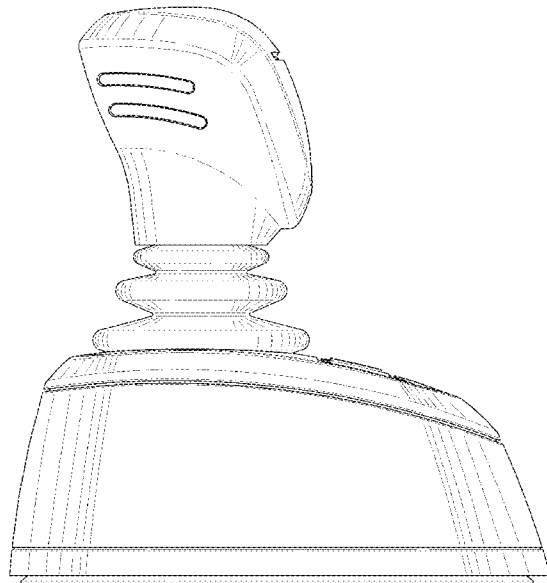
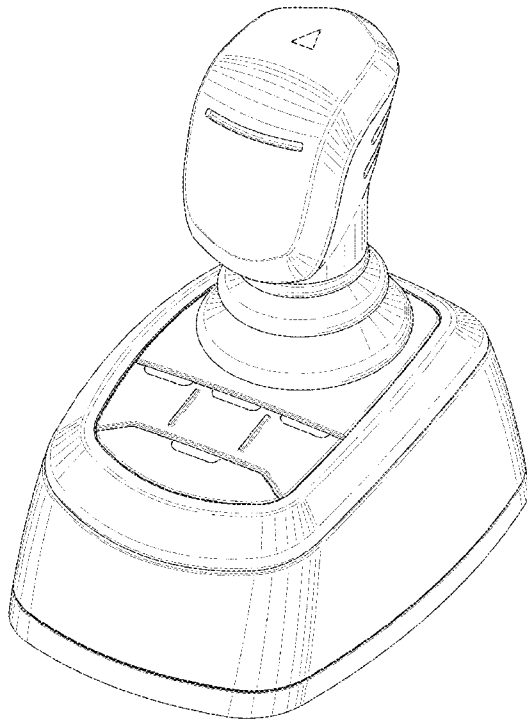
FIG. 4 is a rear elevational view thereof;

FIG. 5 is a top plan view thereof; and,

FIG. 6 is a bottom plan view thereof.

The dashed lines of the various figures form no portion of the claimed design.

**1 Claim, 6 Drawing Sheets**



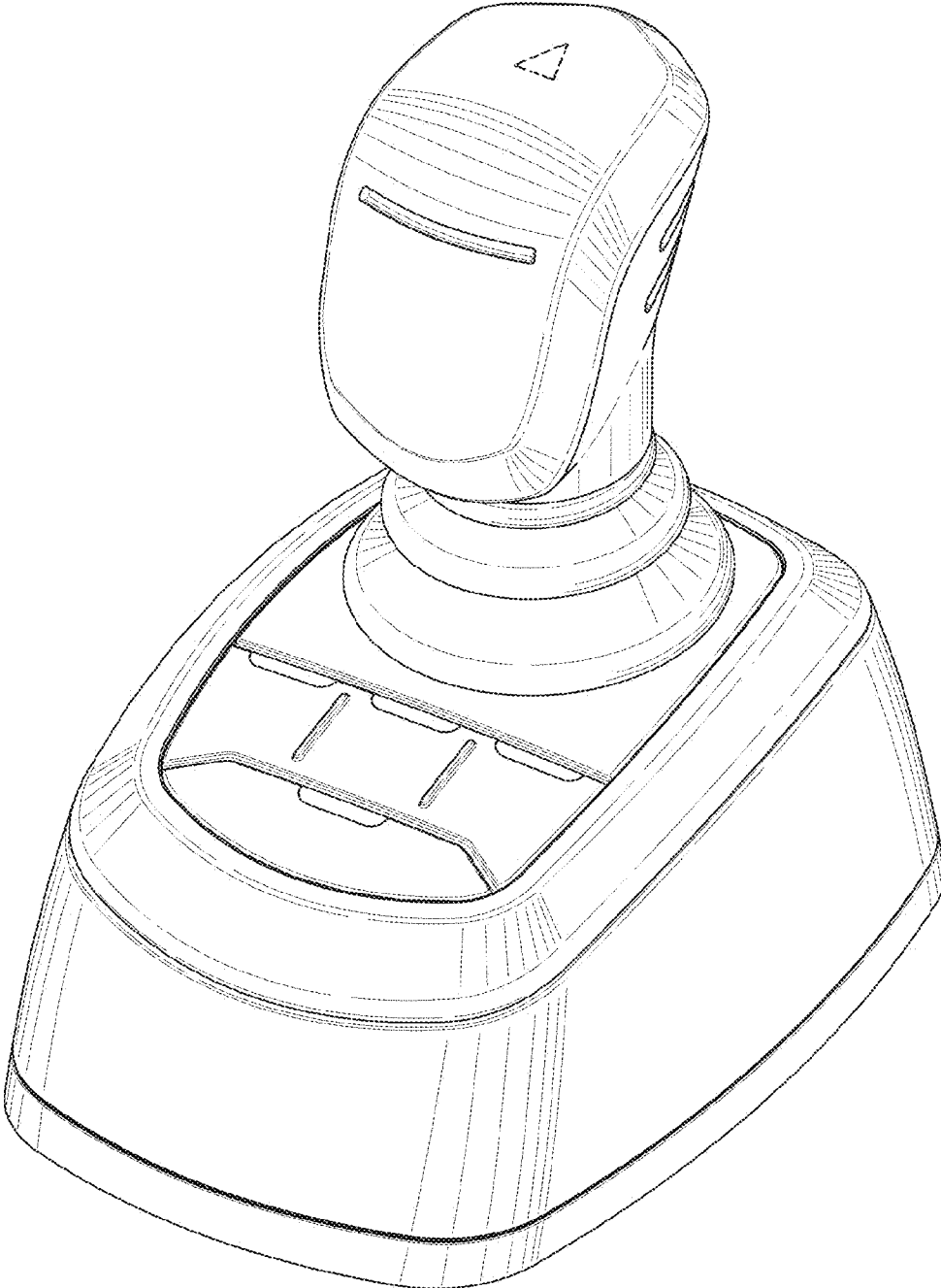


FIG. 1

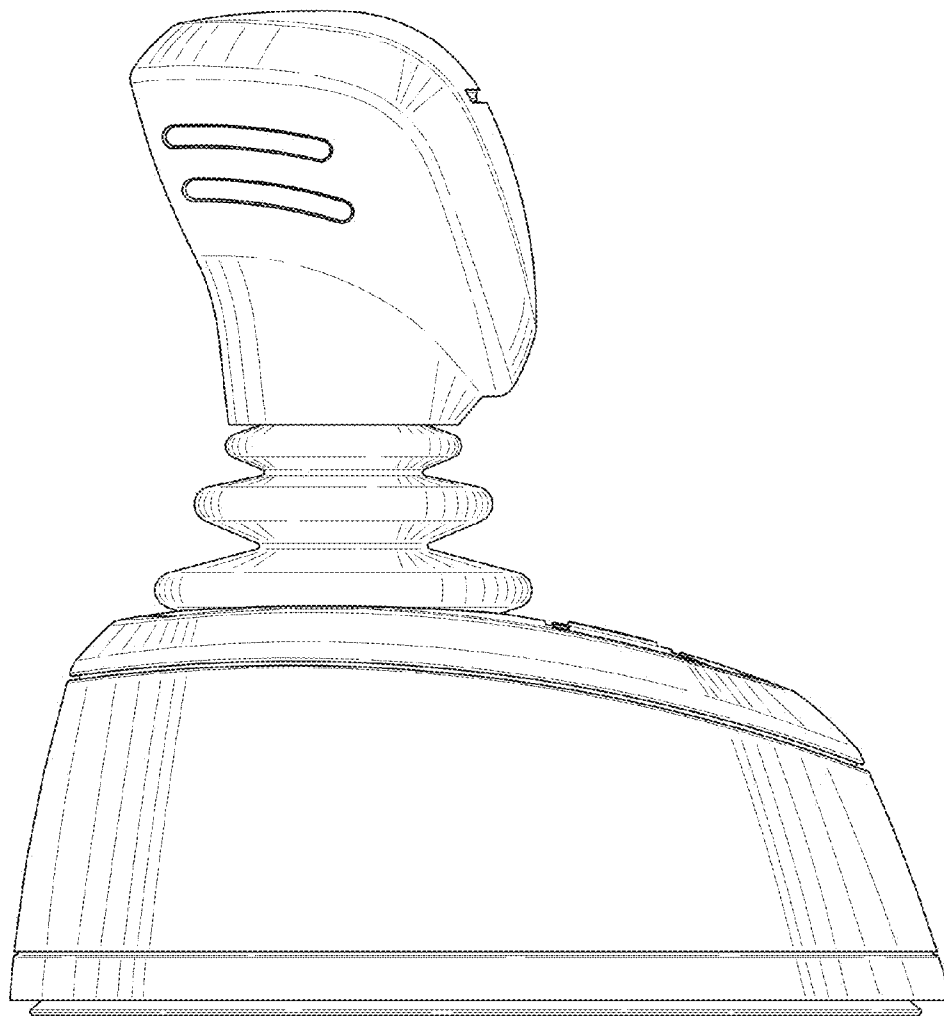


FIG. 2

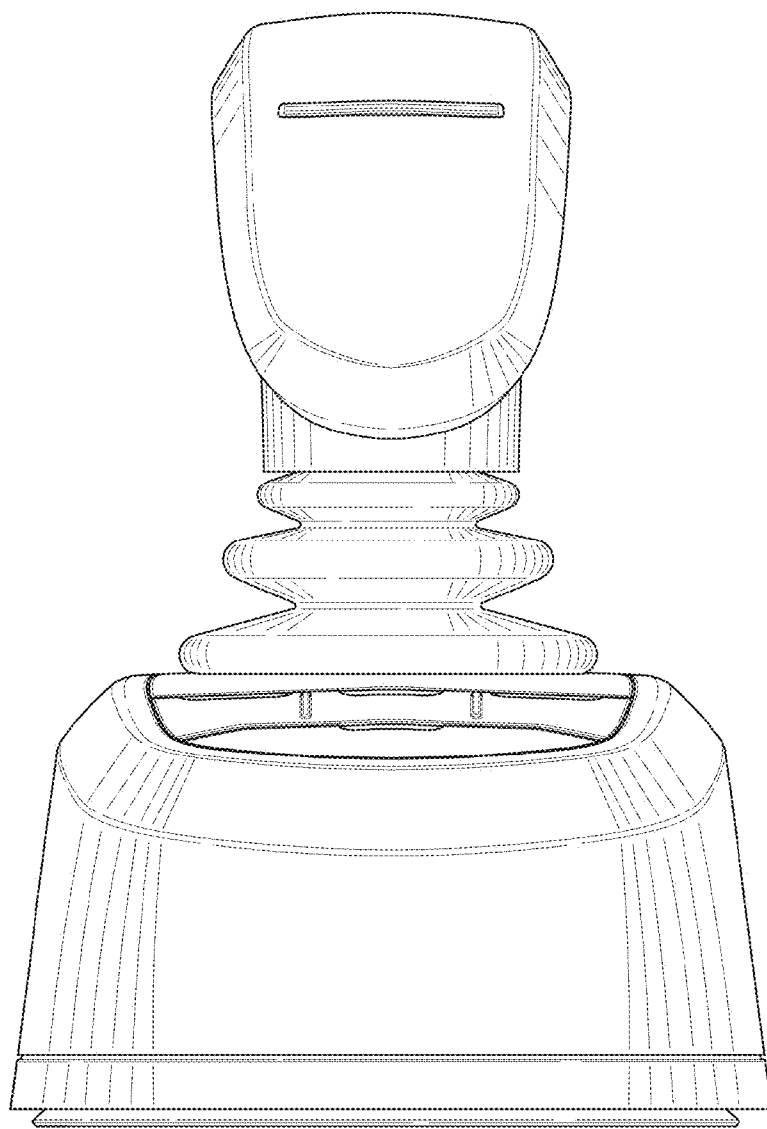


FIG. 3

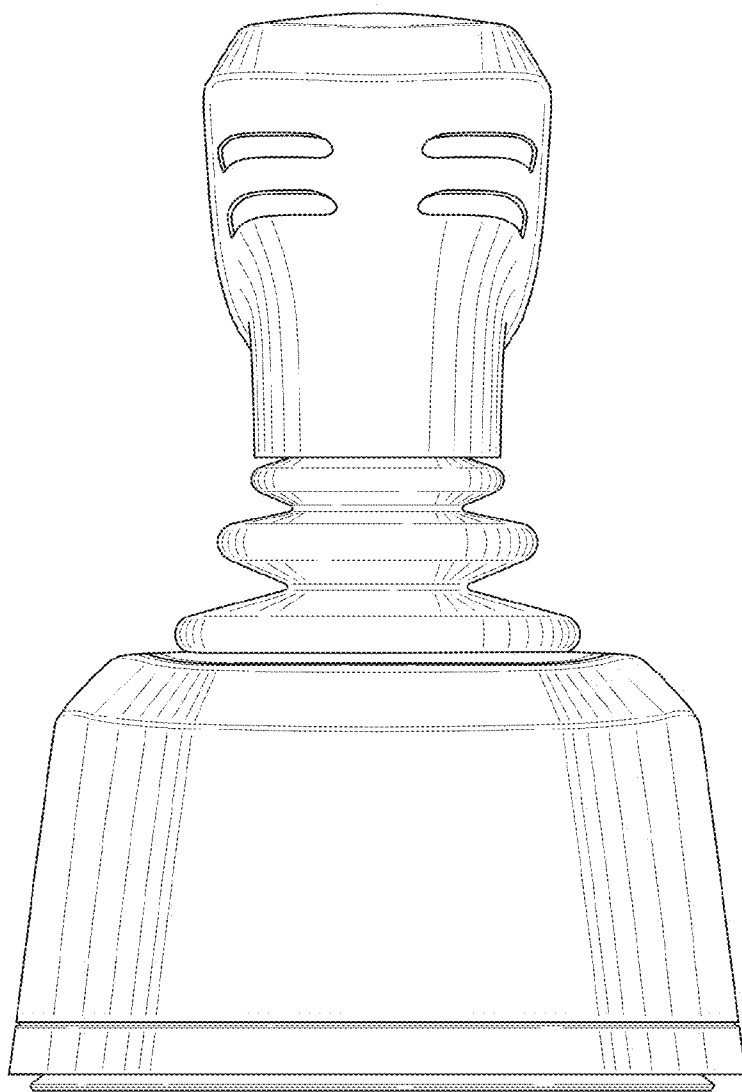


FIG. 4

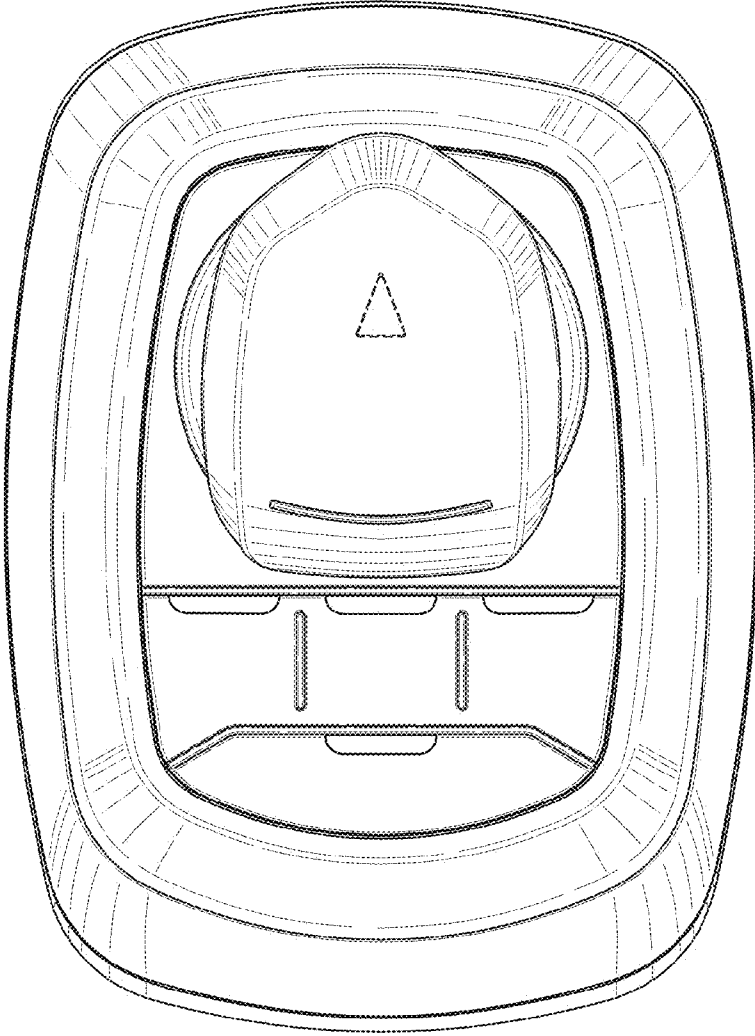


FIG. 5

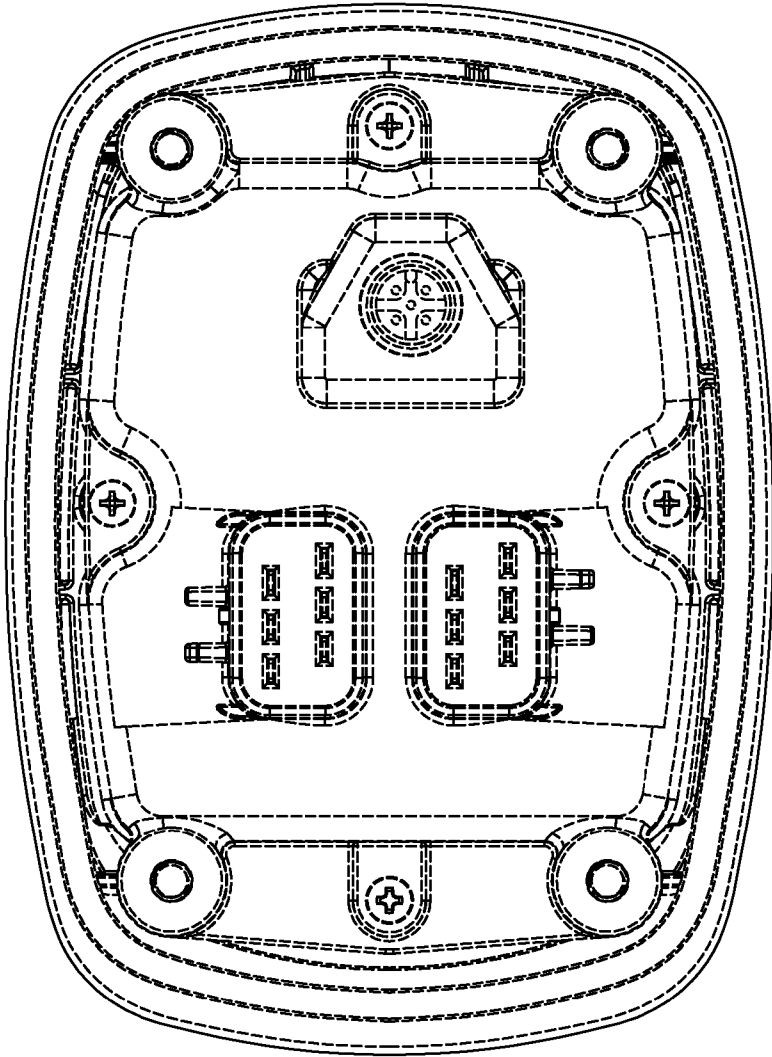


FIG. 6