



US00D799432S

(12) **United States Design Patent**  
**McRoberts**

(10) **Patent No.:** **US D799,432 S**

(45) **Date of Patent:** **\*\* Oct. 10, 2017**

- (54) **WALL CONTROLLER**
- (71) Applicant: **HUNTER FAN COMPANY**,  
Memphis, TN (US)
- (72) Inventor: **Claire Bernice McRoberts**, Memphis,  
TN (US)
- (73) Assignee: **Hunter Fan Company**, Memphis, TN  
(US)

D654,030	S	*	2/2012	Hoffknecht	.....	D13/164
D657,319	S	*	4/2012	Feldstein	.....	D13/164
D714,736	S	*	10/2014	O'Donnell	.....	D13/164
D733,668	S	*	7/2015	Altonen	.....	D13/168
D734,277	S	*	7/2015	Jacoby	.....	D13/164
D755,133	S	*	5/2016	Altonen	.....	D13/168
D755,739	S	*	5/2016	Altonen	.....	D13/168
D781,792	S	*	3/2017	Okawa	.....	D13/162
2009/0058193	A1	*	3/2009	Reid	.....	H05B 37/0227 307/116

(\*\*) Term: **15 Years**

(21) Appl. No.: **29/582,449**

(22) Filed: **Oct. 27, 2016**

(51) **LOC (10) Cl.** ..... **13-03**

(52) **U.S. Cl.**  
USPC ..... **D13/162**; D13/174

(58) **Field of Classification Search**  
USPC ..... D13/162, 164, 171, 174  
CPC ..... H01H 3/02; H01H 3/0213; H01H 3/12;  
H01H 3/122; H01H 9/02; H01H 9/16;  
H01H 9/161; H01H 9/18; H05B 33/0803;  
H05B 33/0863; H05B 37/0227; H05B  
37/0272; H05B 39/02; H05B 39/085;  
H05B 39/086; H05B 39/088

See application file for complete search history.

(56) **References Cited**

**U.S. PATENT DOCUMENTS**

D412,492	S	8/1999	Gatchell	
6,593,530	B2	* 7/2003	Hunt	..... H01H 9/18 174/66
7,312,695	B2	* 12/2007	Lehmer	..... G09F 9/302 307/115
D633,448	S	* 3/2011	Biery	..... D13/171
D633,874	S	* 3/2011	Feldstein	..... D13/164
D638,375	S	* 5/2011	Clymer	..... D13/168
D649,520	S	* 11/2011	Jacoby	..... D13/164

**OTHER PUBLICATIONS**

<http://www.homedepot.com/p/Hampton-Bay-Universal-Ceiling-Fan-Wireless-Wall-Control-68109/205846346>, Item Specification for Hampton Bay Universal Ceiling Fan Wireless Wall Control, Model No. 68109, Accessed on Oct. 27, 2016.

(Continued)

*Primary Examiner* — Selina Sikder  
(74) *Attorney, Agent, or Firm* — McGarry Bair PC

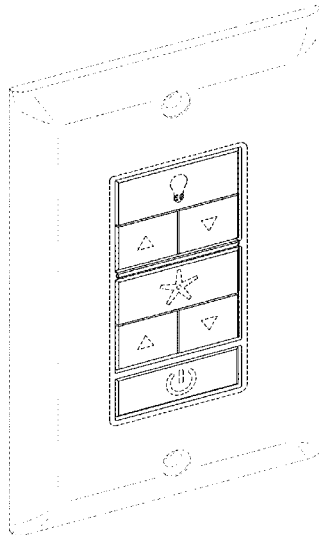
(57) **CLAIM**

The ornamental design for a wall controller, as shown and described.

**DESCRIPTION**

FIG. 1 is a top perspective view of a wall controller; FIG. 2 is a bottom perspective view of the wall controller of FIG. 1; FIG. 3 is a top view of the wall controller of FIG. 1; FIG. 4 is a bottom view of the wall controller of FIG. 1; FIG. 5 is a left side view of the wall controller of FIG. 1; FIG. 6 is a right side view of the wall controller of FIG. 1; FIG. 7 is a front side view of the wall controller of FIG. 1; and, FIG. 8 is a rear side view of the wall controller of FIG. 1. Portions of the wall controller shown in broken lines form no part of the claimed design.

**1 Claim, 8 Drawing Sheets**



(56)

**References Cited**

OTHER PUBLICATIONS

<http://www.homedepot.com/p/Hunter-Fan-Light-Wall-Remote-Control-99120/204468846>, Item Specification for Hunter Fan Light Wall Remote Control, Model No. 99120, Accessed on Oct. 27, 2016.

<http://www.fanimation.com/products/index.php/controls-remotes/wall-mount-control/tw206.html>, Item Specification for TW206 Fan and Light Wall Control, Model No. TW206, Accessed on Oct. 27, 2016.

<http://ceilingfans.emerson.com/shop/en/fan/six-speed-led-wall-control-fan-sw605>, Item Specification for Six-Speed LED Wall Control, Model No. SW605, Accessed on Oct. 27, 2016.

[http://www.lowes.com/pd\\_607425-19478-MCRC4RW\\_1z0rsum\\_?productId=50226483&pl=1](http://www.lowes.com/pd_607425-19478-MCRC4RW_1z0rsum_?productId=50226483&pl=1), Item Specification for Monte Carlo Fan Company Wall-Mount Ceiling Fan Remote, Model No. MCRC4RW, Accessed on Oct. 27, 2016.

\* cited by examiner

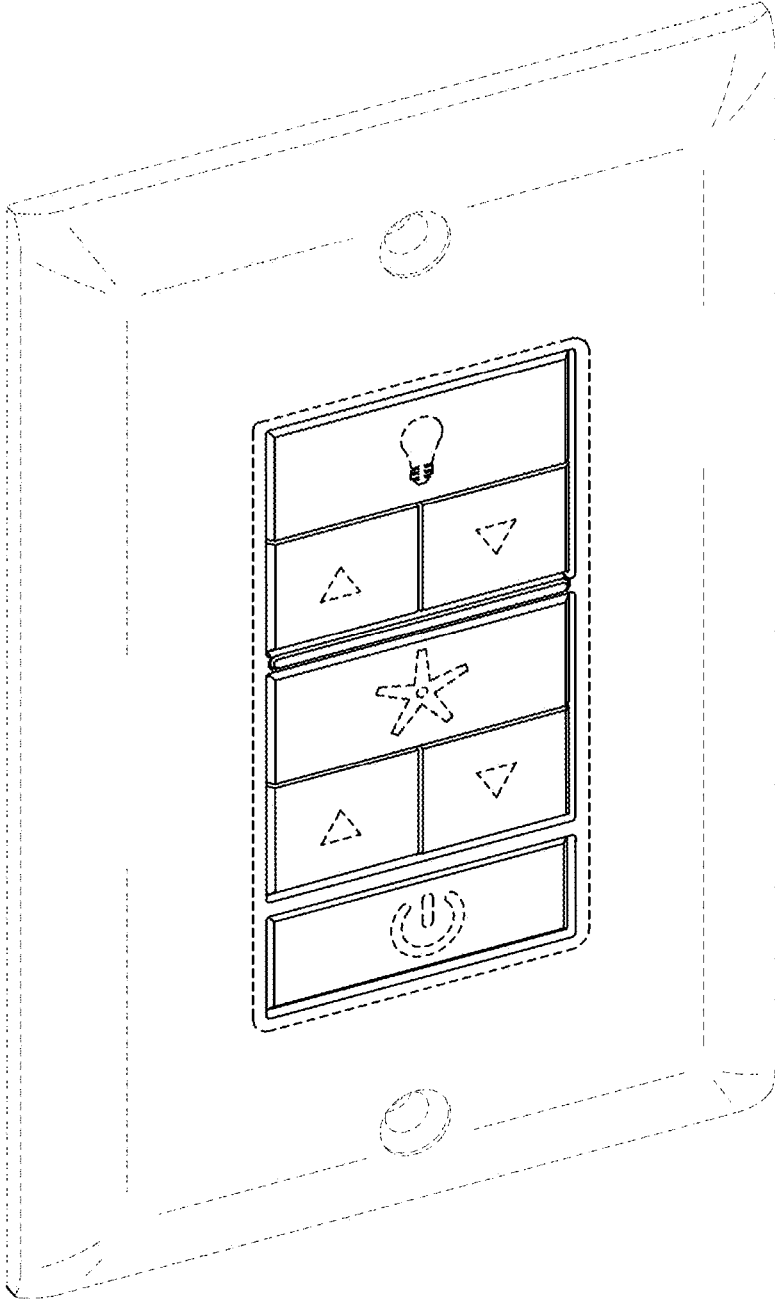


FIG. 1

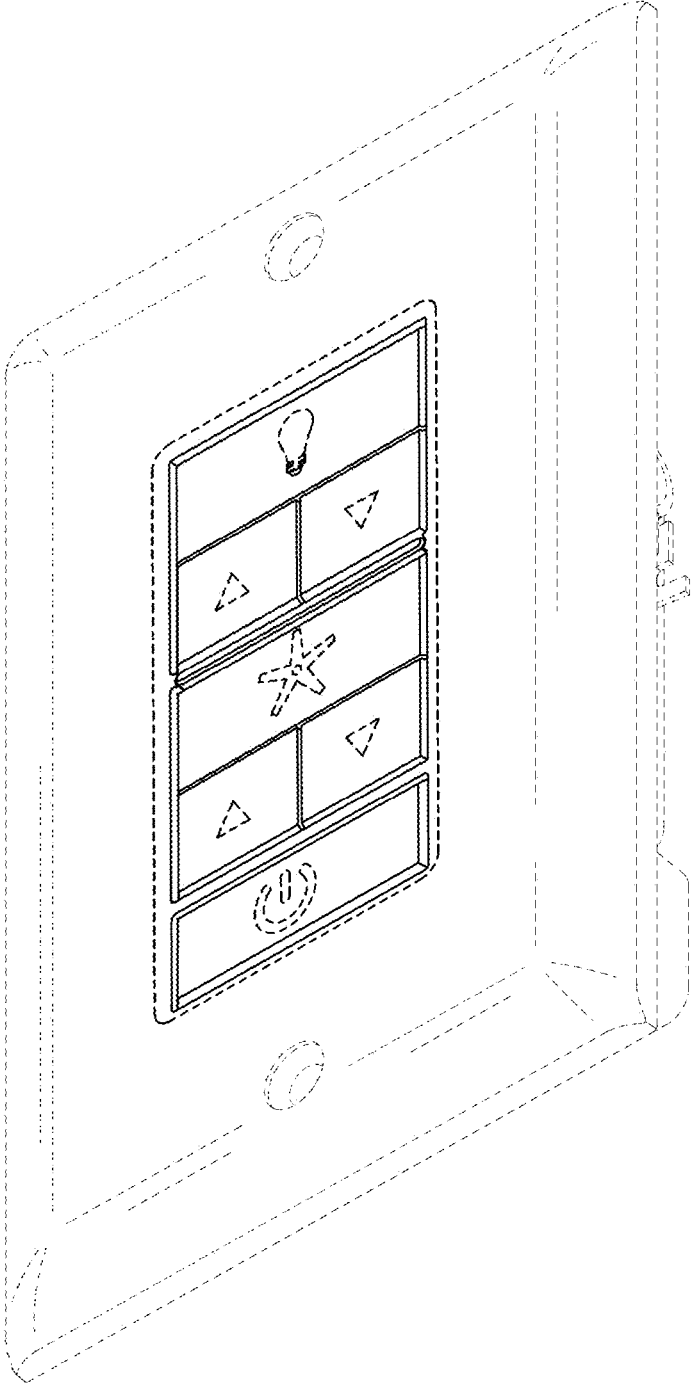


FIG.2

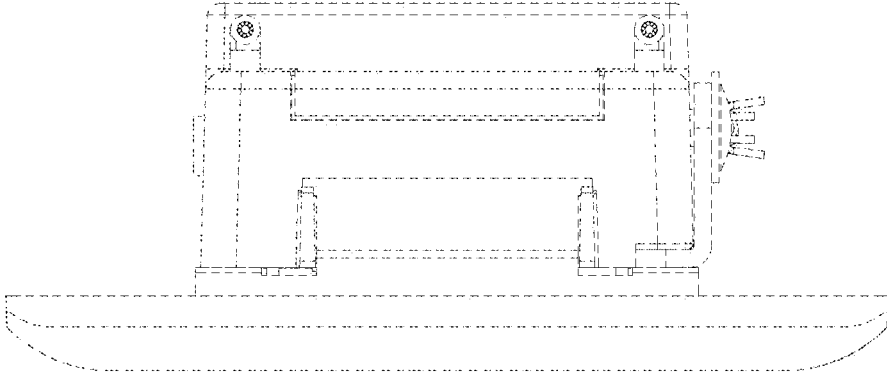


FIG.3

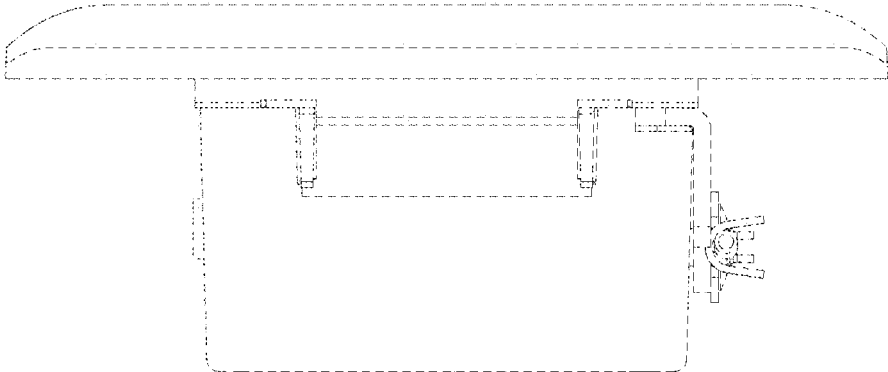


FIG.4

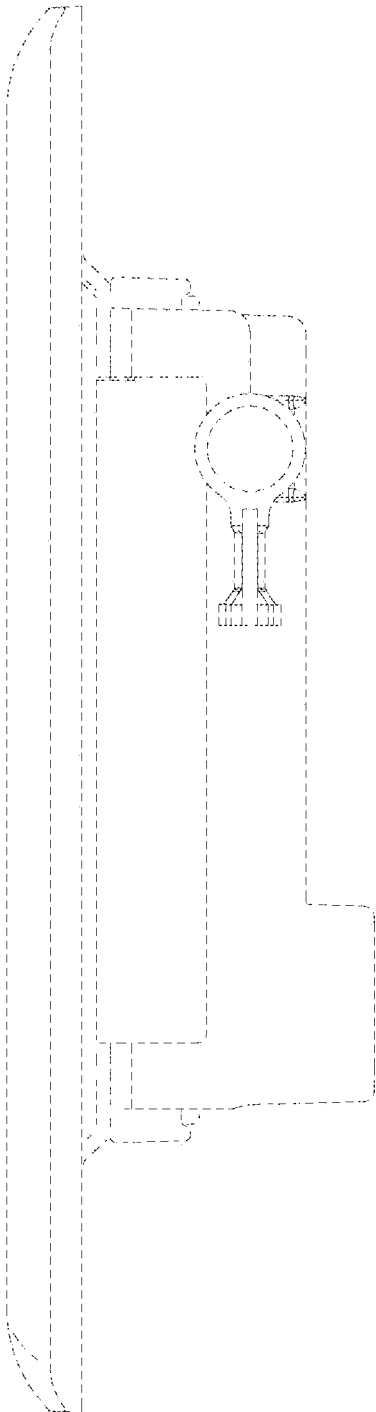


FIG.5

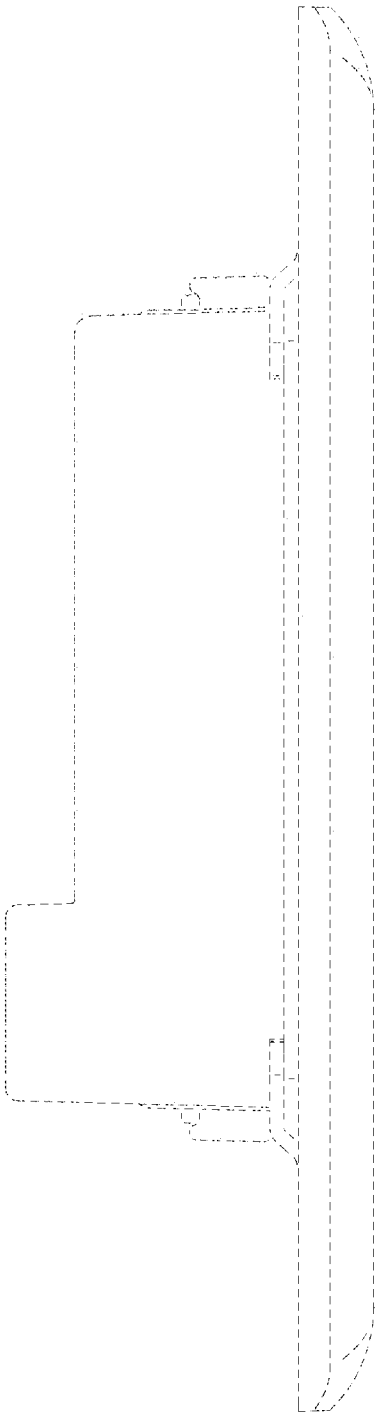


FIG. 6

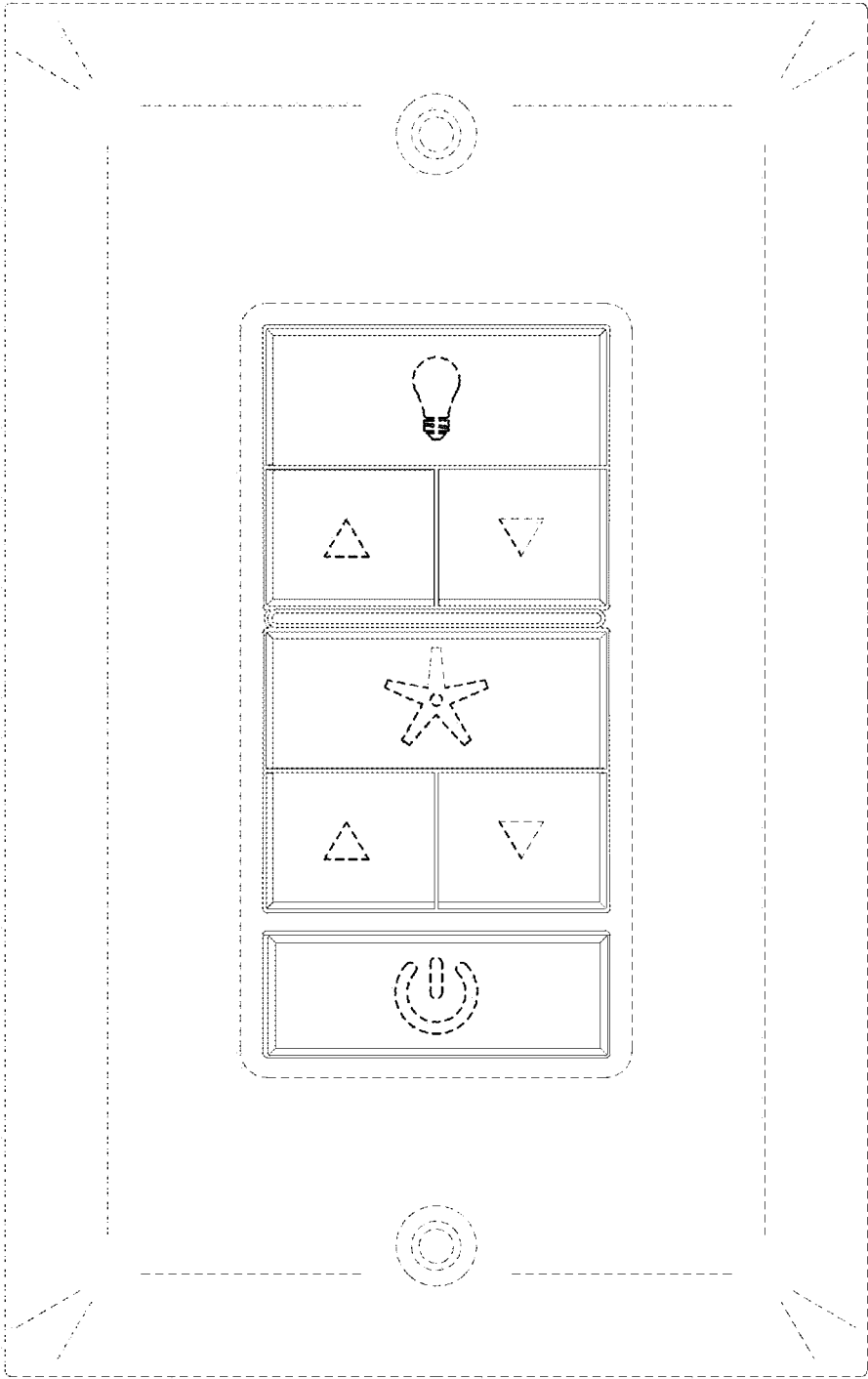


FIG. 7

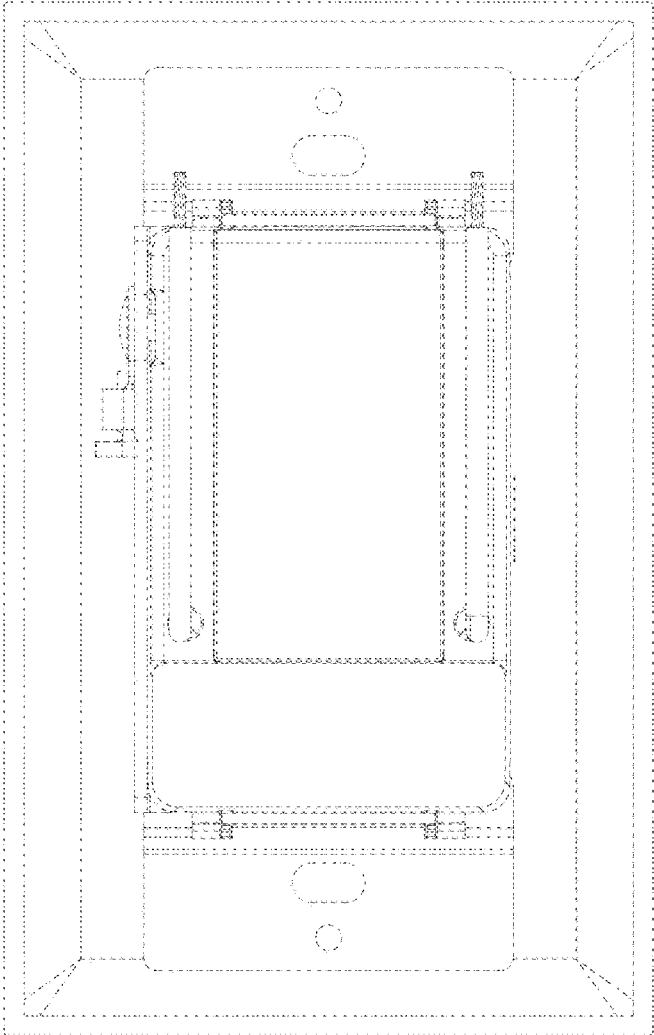


FIG. 8