

(19) World Intellectual Property Organization
International Bureau



(43) International Publication Date
9 June 2005 (09.06.2005)

PCT

(10) International Publication Number
WO 2005/053324 A3

- (51) International Patent Classification⁷: **H01R 11/20**
- (21) International Application Number:
PCT/US2004/039377
- (22) International Filing Date:
22 November 2004 (22.11.2004)
- (25) Filing Language: English
- (26) Publication Language: English
- (30) Priority Data:
60/524,299 21 November 2003 (21.11.2003) US
- (71) Applicant (for all designated States except US): **LEVI-TON MANUFACTURING CO., INC.** [US/US]; 59-25 Little Neck Parkway, Little Neck, NY 11362 (US).
- (72) Inventors; and
- (75) Inventors/Applicants (for US only): **REDFIELD, John, M.** [US/US]; 3133 238th Street Southwest, Brier, Washington 98036-8423 (US). **SEEFRIED, Jeffrey, P.** [US/US]; 11512 18th Place Southeast, Everett, Washington 98205 (US).
- (74) Agents: **RONDEAU, JR., George, C.** et al.; 2600 Century Square, 1501 Fourth Avenue, Seattle, Washington 98101-1688 (US).
- (81) Designated States (unless otherwise indicated, for every kind of national protection available): AE, AG, AL, AM,

AT, AU, AZ, BA, BB, BG, BR, BW, BY, BZ, CA, CH, CN, CO, CR, CU, CZ, DE, DK, DM, DZ, EC, EE, EG, ES, FI, GB, GD, GE, GH, GM, HR, HU, ID, IL, IN, IS, JP, KE, KG, KP, KR, KZ, LC, LK, LR, LS, LT, LU, LV, MA, MD, MG, MK, MN, MW, MX, MZ, NA, NI, NO, NZ, OM, PG, PH, PL, PT, RO, RU, SC, SD, SE, SG, SK, SL, SY, TJ, TM, TN, TR, TT, TZ, UA, UG, US, UZ, VC, VN, YU, ZA, ZM, ZW.

(84) Designated States (unless otherwise indicated, for every kind of regional protection available): ARIPO (BW, GH, GM, KE, LS, MW, MZ, NA, SD, SL, SZ, TZ, UG, ZM, ZW), Eurasian (AM, AZ, BY, KG, KZ, MD, RU, TJ, TM), European (AT, BE, BG, CH, CY, CZ, DE, DK, EE, ES, FI, FR, GB, GR, HU, IE, IS, IT, LU, MC, NL, PL, PT, RO, SE, SI, SK, TR), OAPI (BF, BJ, CF, CG, CI, CM, GA, GN, GQ, GW, ML, MR, NE, SN, TD, TG).

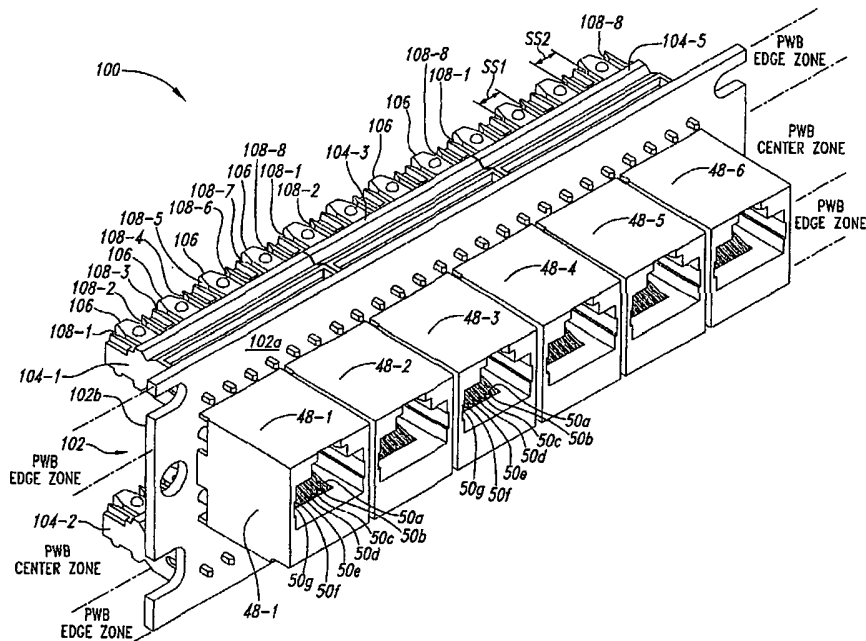
Published:

- with international search report
- before the expiration of the time limit for amending the claims and to be republished in the event of receipt of amendments

(88) Date of publication of the international search report:
16 February 2006

For two-letter codes and other abbreviations, refer to the "Guidance Notes on Codes and Abbreviations" appearing at the beginning of each regular issue of the PCT Gazette.

(54) Title: PATCH PANEL WITH CROSSTALK REDUCTION SYSTEM AND METHOD



(57) Abstract: A insulation displacement connector (IDC) patch panel includes a circuit (PC) board with interdigitated capacitance for balancing out inherent capacitance found within IDCs of the panel. Unwanted cross-talk signals are reduced as a consequence.

WO 2005/053324 A3

INTERNATIONAL SEARCH REPORT

International application No.

PCT/US04/39377

<p>A. CLASSIFICATION OF SUBJECT MATTER IPC(7) : H01R 11/20 US CL : 439/404 According to International Patent Classification (IPC) or to both national classification and IPC</p>												
<p>B. FIELDS SEARCHED</p> <p>Minimum documentation searched (classification system followed by classification symbols) U.S. : 404</p> <p>Documentation searched other than minimum documentation to the extent that such documents are included in the fields searched</p> <p>Electronic data base consulted during the international search (name of data base and, where practicable, search terms used)</p>												
<p>C. DOCUMENTS CONSIDERED TO BE RELEVANT</p> <table border="1"> <thead> <tr> <th>Category *</th> <th>Citation of document, with indication, where appropriate, of the relevant passages</th> <th>Relevant to claim No.</th> </tr> </thead> <tbody> <tr> <td>P</td> <td>US 2004/0092154 A(Doorhy et al.)13 May 2004 (13.05.2004) Figs. 1-17</td> <td>1-11</td> </tr> <tr> <td>P</td> <td>US 6,729,899 (Aekins et al.) 04 May 2004 (04.05.2004) Figs. 5-11</td> <td>12</td> </tr> </tbody> </table>			Category *	Citation of document, with indication, where appropriate, of the relevant passages	Relevant to claim No.	P	US 2004/0092154 A(Doorhy et al.)13 May 2004 (13.05.2004) Figs. 1-17	1-11	P	US 6,729,899 (Aekins et al.) 04 May 2004 (04.05.2004) Figs. 5-11	12	
Category *	Citation of document, with indication, where appropriate, of the relevant passages	Relevant to claim No.										
P	US 2004/0092154 A(Doorhy et al.)13 May 2004 (13.05.2004) Figs. 1-17	1-11										
P	US 6,729,899 (Aekins et al.) 04 May 2004 (04.05.2004) Figs. 5-11	12										
<p><input type="checkbox"/> Further documents are listed in the continuation of Box C. <input type="checkbox"/> See patent family annex.</p>												
<p>* Special categories of cited documents:</p> <table border="0"> <tr> <td>"A" document defining the general state of the art which is not considered to be of particular relevance</td> <td>"T" later document published after the international filing date or priority date and not in conflict with the application but cited to understand the principle or theory underlying the invention</td> </tr> <tr> <td>"E" earlier application or patent published on or after the international filing date</td> <td>"X" document of particular relevance; the claimed invention cannot be considered novel or cannot be considered to involve an inventive step when the document is taken alone</td> </tr> <tr> <td>"L" document which may throw doubts on priority claim(s) or which is cited to establish the publication date of another citation or other special reason (as specified)</td> <td>"Y" document of particular relevance; the claimed invention cannot be considered to involve an inventive step when the document is combined with one or more other such documents, such combination being obvious to a person skilled in the art</td> </tr> <tr> <td>"O" document referring to an oral disclosure, use, exhibition or other means</td> <td>"&" document member of the same patent family</td> </tr> <tr> <td>"P" document published prior to the international filing date but later than the priority date claimed</td> <td></td> </tr> </table>			"A" document defining the general state of the art which is not considered to be of particular relevance	"T" later document published after the international filing date or priority date and not in conflict with the application but cited to understand the principle or theory underlying the invention	"E" earlier application or patent published on or after the international filing date	"X" document of particular relevance; the claimed invention cannot be considered novel or cannot be considered to involve an inventive step when the document is taken alone	"L" document which may throw doubts on priority claim(s) or which is cited to establish the publication date of another citation or other special reason (as specified)	"Y" document of particular relevance; the claimed invention cannot be considered to involve an inventive step when the document is combined with one or more other such documents, such combination being obvious to a person skilled in the art	"O" document referring to an oral disclosure, use, exhibition or other means	"&" document member of the same patent family	"P" document published prior to the international filing date but later than the priority date claimed	
"A" document defining the general state of the art which is not considered to be of particular relevance	"T" later document published after the international filing date or priority date and not in conflict with the application but cited to understand the principle or theory underlying the invention											
"E" earlier application or patent published on or after the international filing date	"X" document of particular relevance; the claimed invention cannot be considered novel or cannot be considered to involve an inventive step when the document is taken alone											
"L" document which may throw doubts on priority claim(s) or which is cited to establish the publication date of another citation or other special reason (as specified)	"Y" document of particular relevance; the claimed invention cannot be considered to involve an inventive step when the document is combined with one or more other such documents, such combination being obvious to a person skilled in the art											
"O" document referring to an oral disclosure, use, exhibition or other means	"&" document member of the same patent family											
"P" document published prior to the international filing date but later than the priority date claimed												
<p>Date of the actual completion of the international search 28 November 2005 (28.11.2005)</p>		<p>Date of mailing of the international search report 21 DEC 2005</p>										
<p>Name and mailing address of the ISA/US Mail Stop PCT, Attn: ISA/US Commissioner for Patents P. O. Box 1450 Alexandria, Virginia 22313-1450 Facsimile No. (571) 273-3201</p>		<p>Authorized officer <i>Rhonda for Bell</i> Tulsidas C Patel Telephone No. 703-308-0956</p>										