



US00D700002S

(12) **United States Design Patent**  
**Lupo, Jr.**

(10) **Patent No.:** **US D700,002 S**

(45) **Date of Patent:** **\*\* Feb. 25, 2014**

(54) **HEALTHY LOAF PAN**

(76) Inventor: **Anthony Lupo, Jr.**, Bethpage, NY (US)

(\*\*) Term: **14 Years**

(21) Appl. No.: **29/407,265**

(22) Filed: **Nov. 25, 2011**

(51) **LOC (10) Cl.** ..... **07-02**

(52) **U.S. Cl.**

USPC ..... **D7/354**

(58) **Field of Classification Search**

USPC ..... D3/304, 313, 318; D7/323, 329-331,  
D7/337, 339, 346-347, 350.1-350.4,  
D7/352-368, 388, 391, 393, 395, 402,  
D7/407-410, 500, 538-545, 552.1, 552.2,  
D7/555, 566, 584-587, 602, 672-674;  
D9/416, 424-425, 432-434; D11/156;  
D12/426; 72/29.2; 99/324-325,  
99/331-332, 337-349, 358, 369-376, 380,  
99/389, 400-418, 422-426, 444-446,  
99/483; 126/9 B, 37 R, 261, 378.1, 390.1;  
141/283; 220/4.24, 23.2, 23.8, 62, 315,  
220/573.1-573.5, 629, 675, 743, 756, 769,  
220/912; 228/196; 249/117, 160; 426/113,  
426/438, 441, 549

See application file for complete search history.

2,738,897 A \* 3/1956 Russell et al. .... 220/573.1  
2,763,200 A 9/1956 Kittler  
2,824,510 A 2/1958 Gangwer  
3,004,283 A 10/1961 Vanstrom  
3,032,233 A \* 5/1962 Debs ..... 220/23.2  
3,127,828 A 4/1964 Fine  
3,265,022 A \* 8/1966 Kaufman ..... 72/29.2  
3,289,571 A 12/1966 Lewus  
3,507,668 A \* 4/1970 Bridgford ..... 426/113  
3,613,552 A 10/1971 Kean  
D227,533 S 7/1973 Christell  
4,106,486 A 8/1978 Lee  
4,223,619 A \* 9/1980 Hare ..... 228/196  
4,345,516 A 8/1982 Sinclair  
4,941,401 A 7/1990 Sarnoff et al.  
5,400,703 A 3/1995 Ashcom et al.  
D368,584 S \* 4/1996 Stommel, Jr. .... D3/313  
5,768,980 A 6/1998 Degen  
D434,369 S \* 11/2000 Matthies ..... D12/426  
6,237,472 B1 5/2001 Gates  
6,415,710 B1 7/2002 Boone  
6,443,053 B1 9/2002 Rossi

(Continued)

*Primary Examiner* — Ricky Pham

(74) *Attorney, Agent, or Firm* — Harold. G. Furlow, Esq

(57)

**CLAIM**

The ornamental design for a healthy loaf pan, as shown and described.

**DESCRIPTION**

FIG. 1 is a front, side and top perspective view of a healthy loaf pan in accordance with my design;

FIG. 2 is a front view of the healthy loaf pan of FIG. 1;

FIG. 3 is a side view of the healthy loaf pan of FIG. 1; and,

FIG. 4 is a top view of the healthy loaf pan of FIG. 1.

The broken lines in the drawing views are included for the purpose of illustrating portions of the healthy loaf pan that form no part of the claimed design.

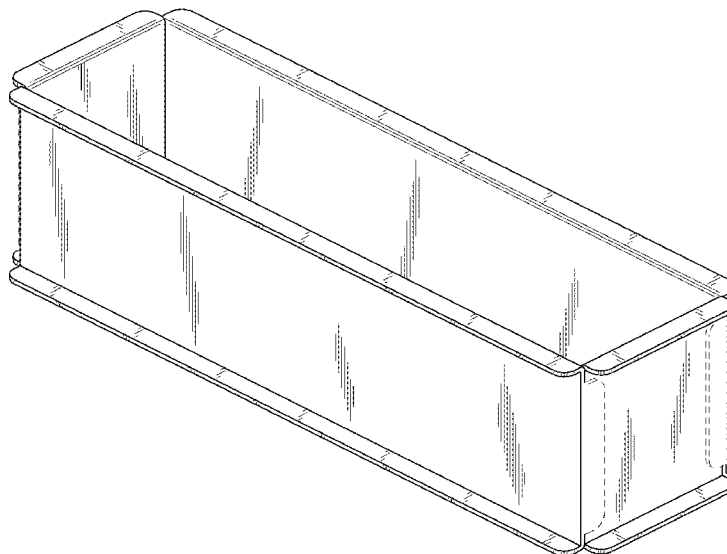
**1 Claim, 2 Drawing Sheets**

(56)

**References Cited**

**U.S. PATENT DOCUMENTS**

323,887 A 8/1885 Rutter  
937,424 A \* 10/1909 Costa ..... 220/23.8  
1,336,292 A \* 4/1920 Goodfriend ..... 220/23.2  
1,461,974 A \* 7/1923 Driver ..... 249/117  
1,546,366 A \* 7/1925 Bledig ..... 141/283  
2,216,147 A \* 10/1940 Ward ..... 220/62  
2,462,728 A \* 2/1949 Debs ..... 126/390.1  
2,583,870 A \* 1/1952 Nafziger ..... 249/160



(56)

**References Cited**

U.S. PATENT DOCUMENTS

6,463,844 B1 10/2002 Wang et al.  
D468,663 S \* 1/2003 Fan ..... D11/156  
6,546,850 B1 4/2003 Akiyama-Warren  
D477,166 S \* 7/2003 Petri ..... D6/510  
6,813,994 B2 11/2004 Williams  
D530,919 S \* 10/2006 Snell ..... D3/304  
D530,921 S \* 10/2006 Snell ..... D3/304  
D546,139 S 7/2007 Michaux

D549,457 S \* 8/2007 Dretzka ..... D3/304  
D590,596 S \* 4/2009 Dretzka ..... D3/304  
D591,510 S \* 5/2009 Auer et al. .... D3/304  
D612,608 S \* 3/2010 Snell ..... D3/304  
D622,539 S 8/2010 Simon et al.  
D628,802 S \* 12/2010 Kraemer ..... D3/318  
D630,886 S 1/2011 Thanasouk  
D651,449 S \* 1/2012 Pallotto ..... D7/368  
D659,400 S \* 5/2012 Kraemer ..... D3/304  
D661,488 S \* 6/2012 Kraemer ..... D3/304

\* cited by examiner

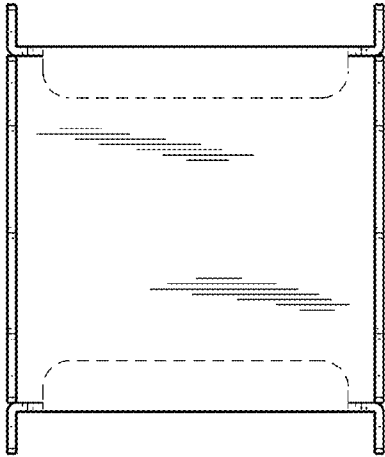


FIG. 2

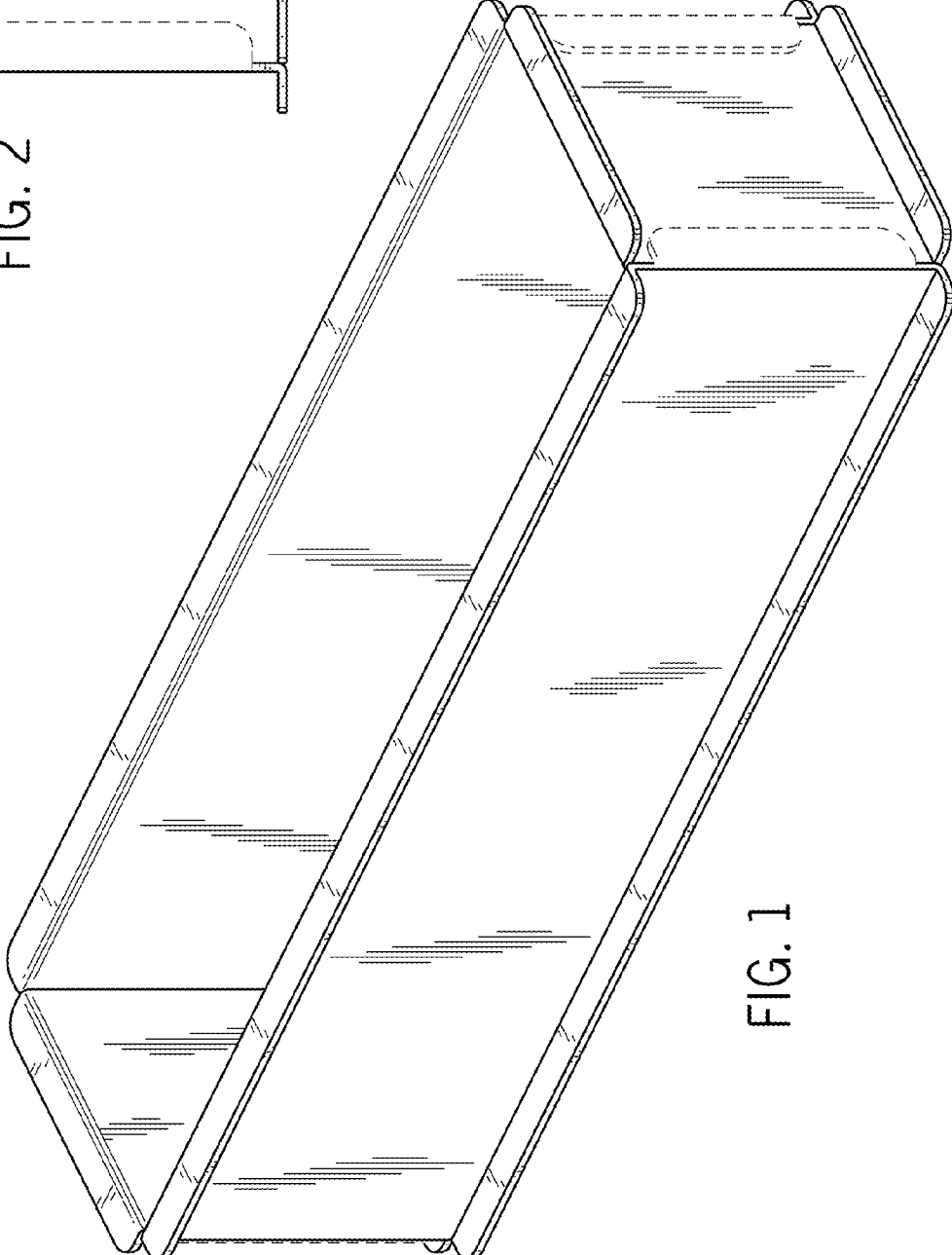


FIG. 1

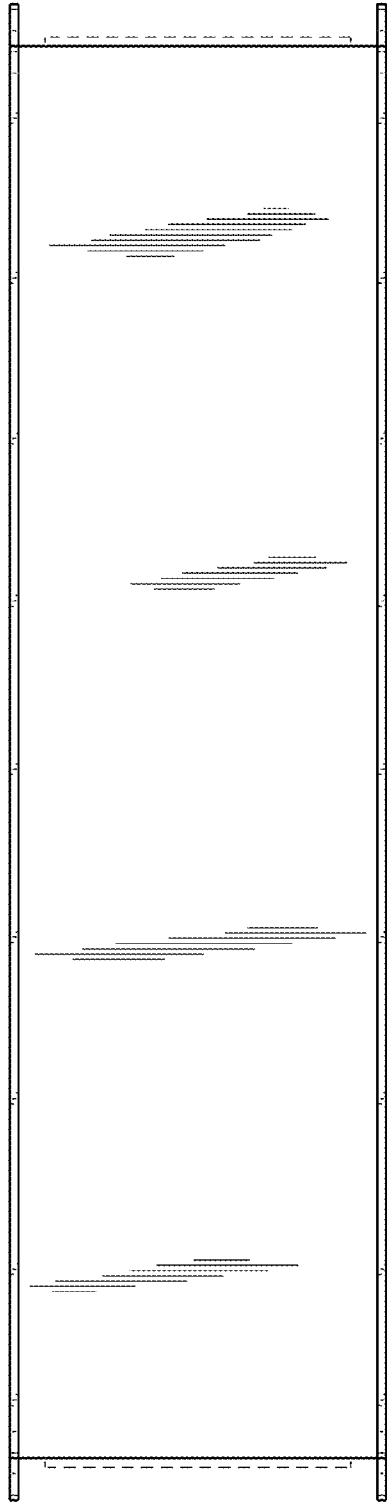


FIG. 3

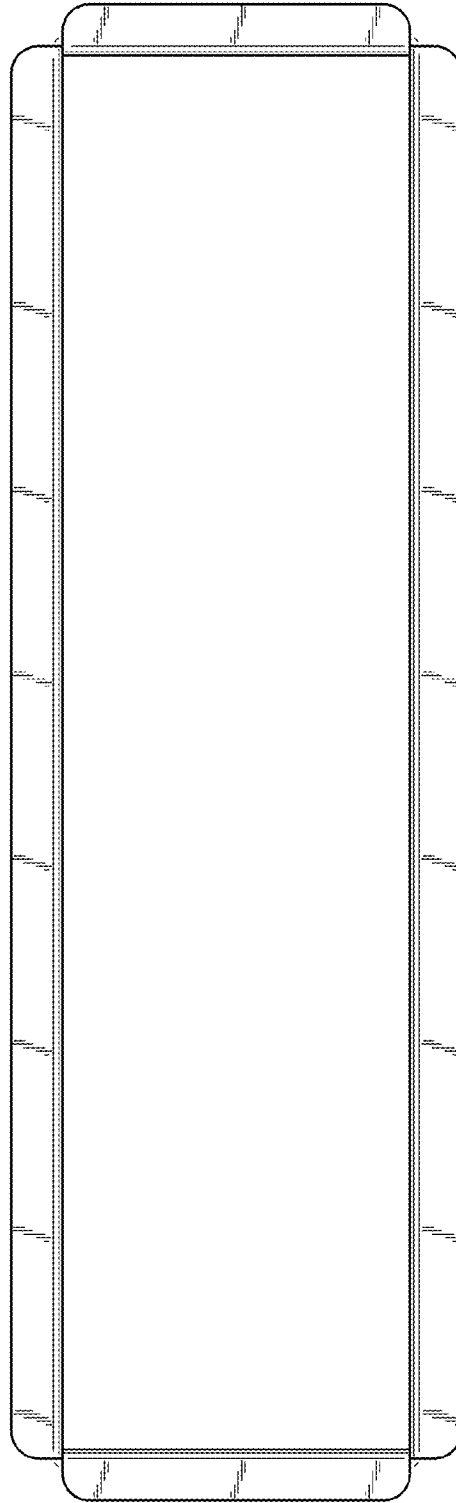


FIG. 4