



US00D735330S

(12) **United States Design Patent**  
**Rydberg et al.**

(10) **Patent No.:** **US D735,330 S**

(45) **Date of Patent:** **\*\* Jul. 28, 2015**

(54) **ATHERECTOMY SYSTEM HANDLE**

(71) Applicant: **Cardiovascular Systems, Inc.**, St. Paul, MN (US)

(72) Inventors: **Nicholas Rydberg**, Oakdale, MN (US);  
**Brett Ryan Johnson**, Roseville, MN (US)

(73) Assignee: **Cardiovascular Systems, Inc.**, St. Paul, MN (US)

(\*\*) Term: **14 Years**

(21) Appl. No.: **29/496,941**

(22) Filed: **Jul. 18, 2014**

(51) **LOC (10) Cl.** ..... **24-02**

(52) **U.S. Cl.**  
USPC ..... **D24/146**

(58) **Field of Classification Search**  
USPC ..... D7/649; D8/93, 97, 300, 310, 311, 313;  
D19/110, 115; D24/127, 130, 133,  
D24/146, 147, 148  
CPC ..... B26B 3/00; B26B 1/10; B26B 5/005;  
A61B 17/809; A61B 17/1617; A61B 17/3211;  
A61B 5/1411; A61B 17/3417

See application file for complete search history.

(56) **References Cited**

U.S. PATENT DOCUMENTS

934,032	A *	9/1909	Barber	30/287
5,931,847	A *	8/1999	Bittner et al.	606/167
D418,223	S *	12/1999	Phipps et al.	D24/133
7,024,772	B1 *	4/2006	Shaver et al.	30/2
D551,518	S *	9/2007	Leuze et al.	D7/649
D586,916	S *	2/2009	Faulkner et al.	D24/146
D592,746	S *	5/2009	Highley et al.	D24/133
D675,318	S *	1/2013	Luk et al.	D24/130
D679,391	S *	4/2013	Chinowsky et al.	D24/127
2005/0016352	A1 *	1/2005	McCorkle	83/880
2015/0073448	A1 *	3/2015	Rydberg	606/159
2015/0094751	A1 *	4/2015	Chen et al.	606/185

\* cited by examiner

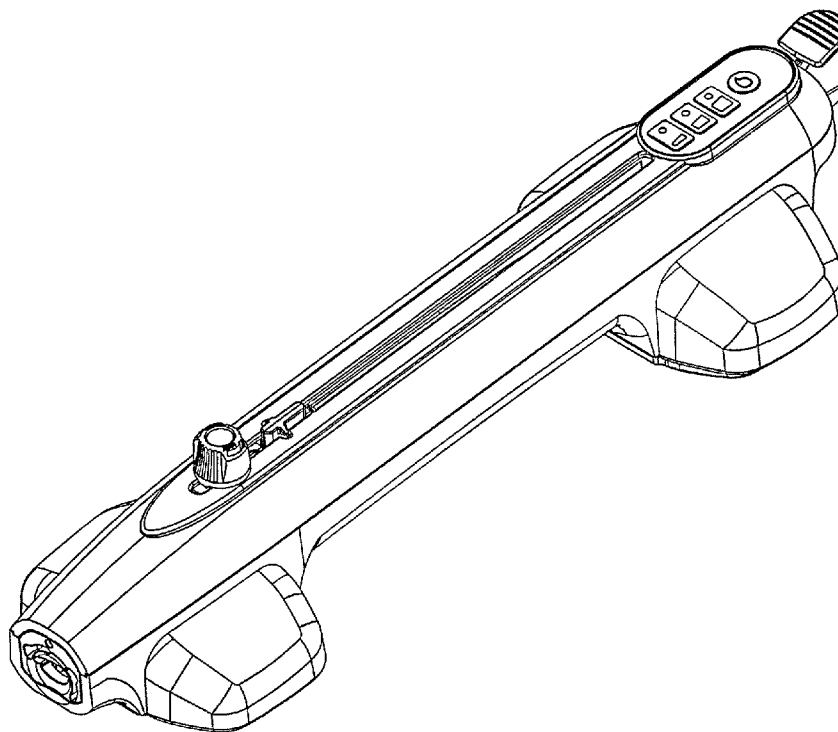
*Primary Examiner* — Robert M Spear  
*Assistant Examiner* — Marissa J Cash  
(74) *Attorney, Agent, or Firm* — Winthrop & Weinstine, P.A.

(57) **CLAIM**  
The ornamental design for an atherectomy system handle, as shown.

**DESCRIPTION**

FIG. 1 is a perspective view of the atherectomy system handle;  
FIG. 2 is a top view;  
FIG. 3 is a bottom view;  
FIG. 4 is a right side view. (The left side view is a mirror image thereof);  
FIG. 5 is a front view; and,  
FIG. 6 is a rear view.

**1 Claim, 5 Drawing Sheets**



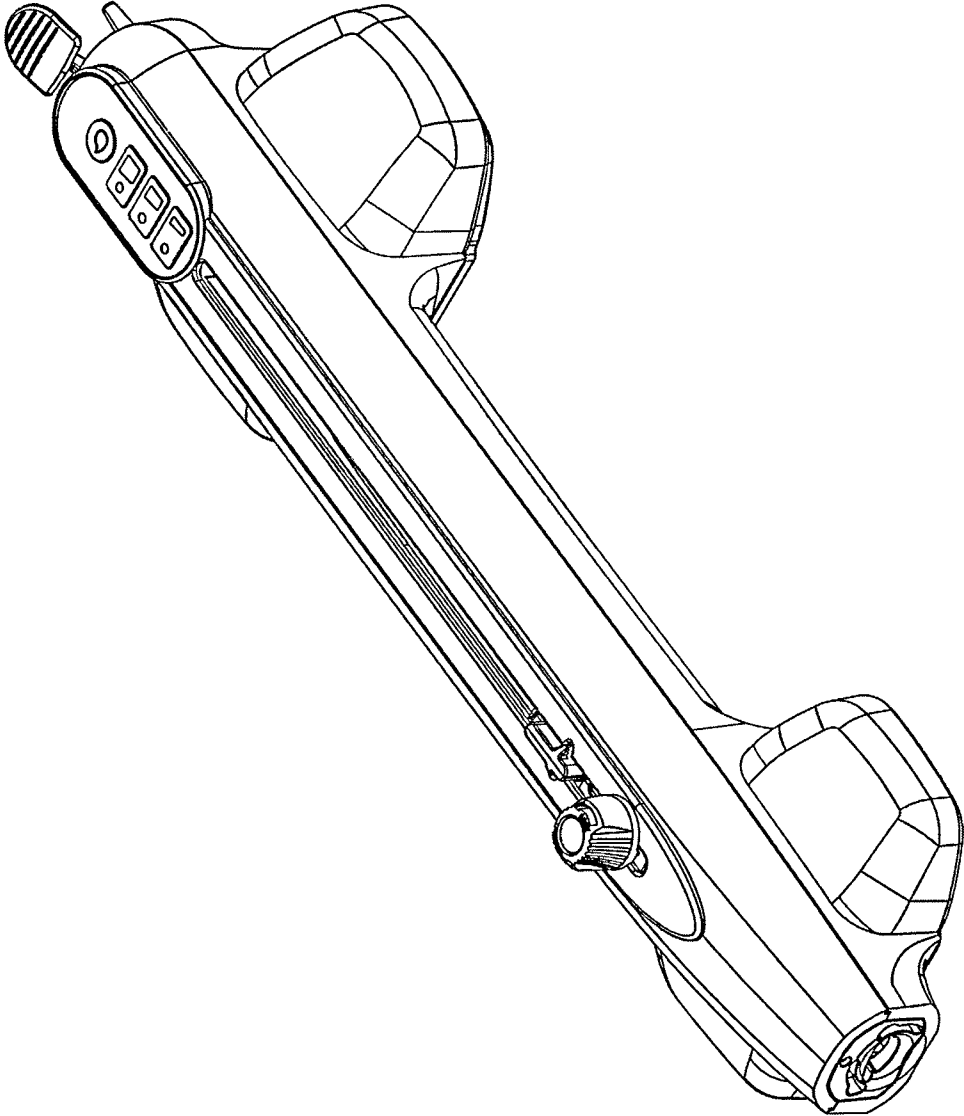


Fig. 1

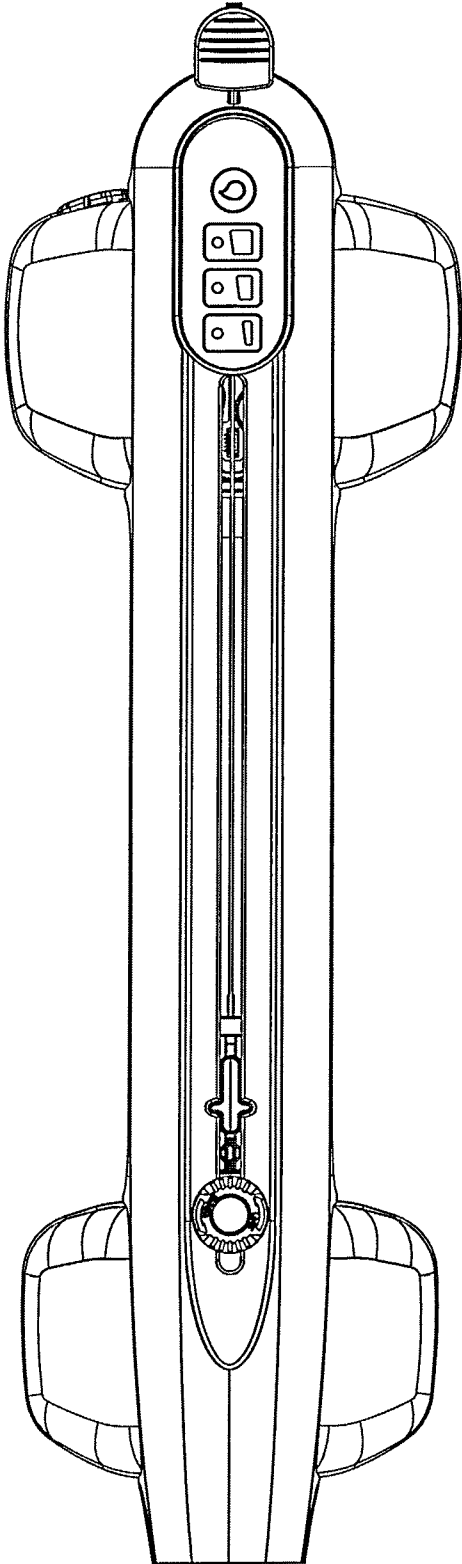


Fig. 2

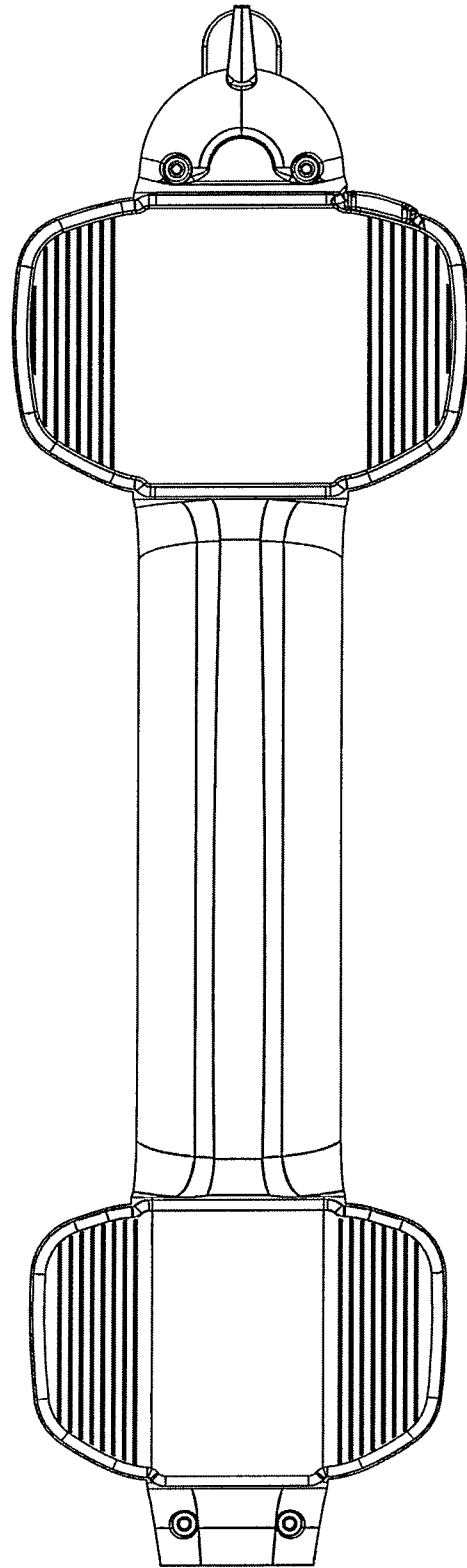


Fig. 3

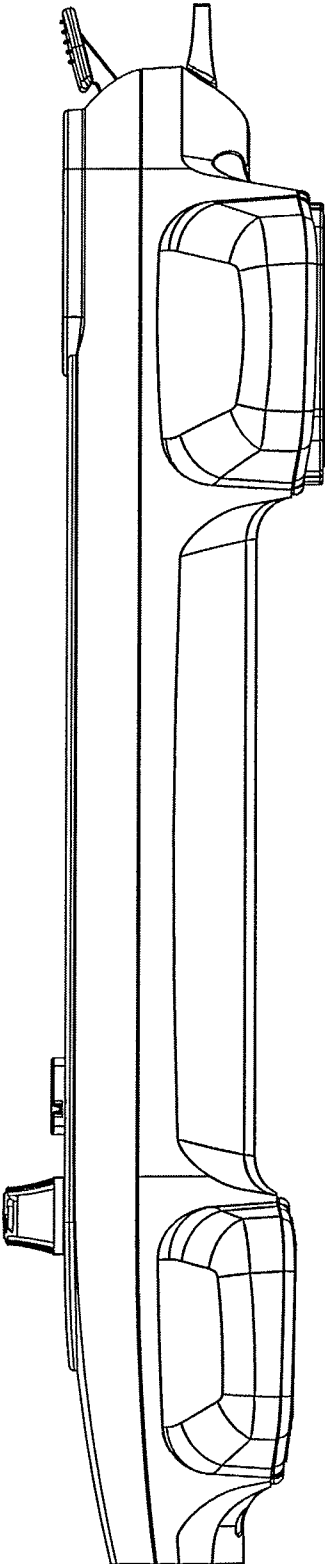


Fig. 4

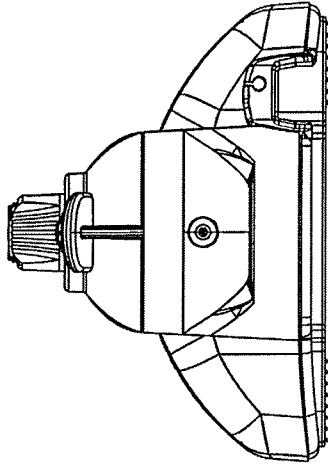


Fig. 6

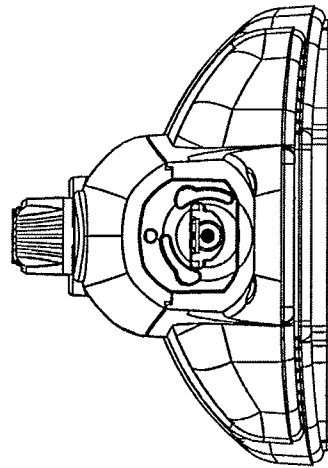


Fig. 5