



US00D460179S

(12) **United States Design Patent**  
**Isoda et al.**

(10) **Patent No.:** **US D460,179 S**

(45) **Date of Patent:** **\*\* Jul. 9, 2002**

(54) **SYRINGE NEEDLE FOR CATHETER**

JP 2000-167051 6/2000  
JP 2000-185096 7/2000

(75) Inventors: **Takashi Isoda; Hiroshi Takagi;**  
**Kentaro Takemae**, all of Yokohama  
(JP)

\* cited by examiner

(73) Assignee: **Mitsubishi Pencil Co., Ltd.**, Tokyo  
(JP)

*Primary Examiner*—Ian Simmons  
(74) *Attorney, Agent, or Firm*—Foley & Lardner

(\*\*) Term: **14 Years**

(57) **CLAIM**

The ornamental design for a syringe needle for catheter, as shown and described.

(21) Appl. No.: **29/142,264**

(22) Filed: **May 23, 2001**

(30) **Foreign Application Priority Data**

Nov. 24, 2000 (JP) ..... 2000-033546

(51) **LOC (7) Cl.** ..... **24-02**

(52) **U.S. Cl.** ..... **D24/130; D24/114**

(58) **Field of Search** ..... D24/130, 112,  
D24/114, 113; D19/51; 604/164.08, 165,  
198, 165.2, 197, 177, 171

(56) **References Cited**

**U.S. PATENT DOCUMENTS**

5,019,049 A \* 5/1991 Haining ..... 604/165  
5,746,215 A \* 5/1998 Manjarrez ..... 604/198  
6,210,371 B1 \* 4/2001 Shaw ..... 604/164.08

**FOREIGN PATENT DOCUMENTS**

JP 3-15481 1/1991

**DESCRIPTION**

FIG. 1 is a front perspective view of a syringe needle for catheter, showing our new design;  
FIG. 2 is a rear perspective view of FIG. 1;  
FIG. 3 is a front elevation view of FIG. 1 and the rear view is a mirror image thereof;  
FIG. 4 is a left side elevation view of FIG. 1;  
FIG. 5 is a right side elevation view of FIG. 1;  
FIG. 6 is a top plan view of FIG. 1;  
FIG. 7 is a bottom plan view of FIG. 1;  
FIG. 8 is a front perspective view of the syringe needle for catheter in which the inner needle is put in the body with the spring shrunk and the outer needle removed; and,  
FIG. 9 is a perspective view of the syringe needle for catheter of our new design with a cap. The broken lines in the drawings depict an example of a cap and form no part of the claimed design.

**1 Claim, 4 Drawing Sheets**

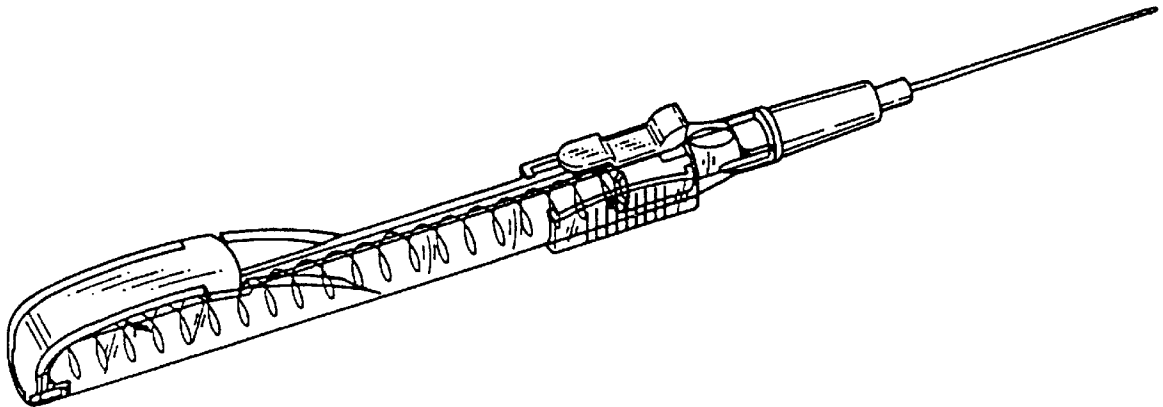


Fig.1

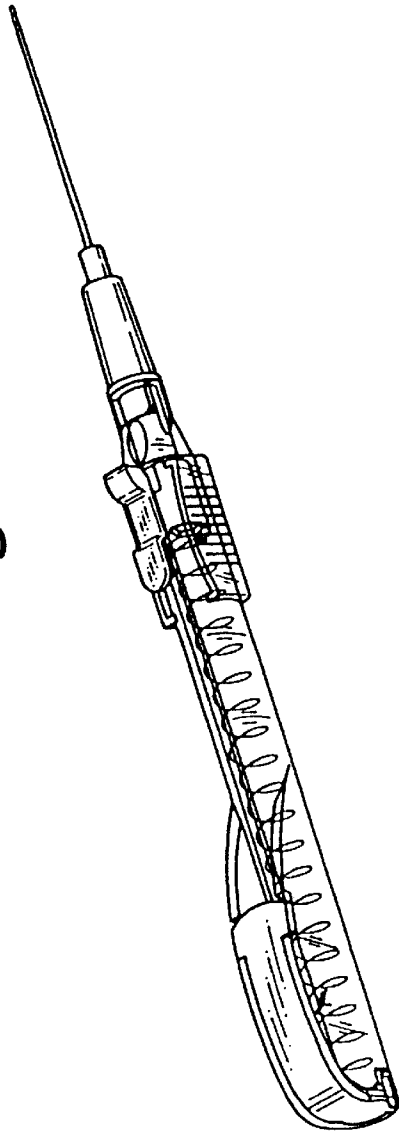


Fig.2

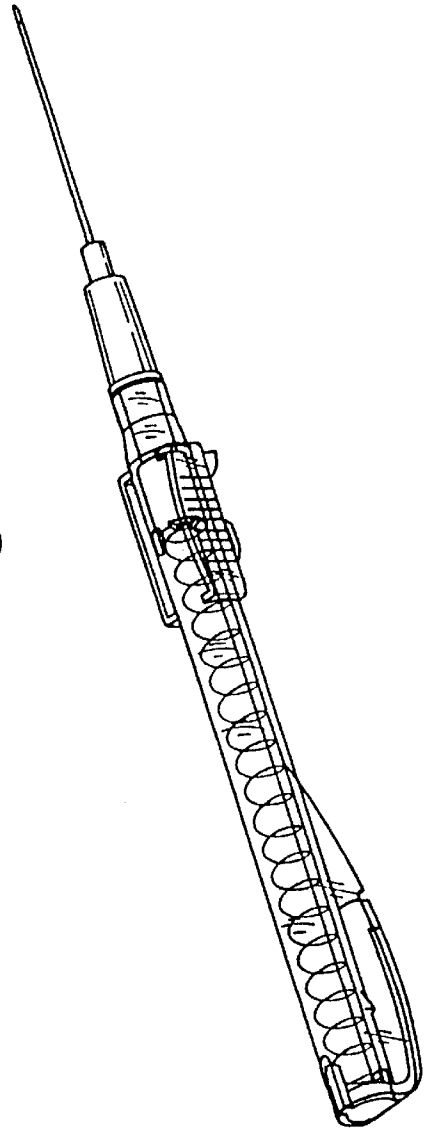


Fig.3

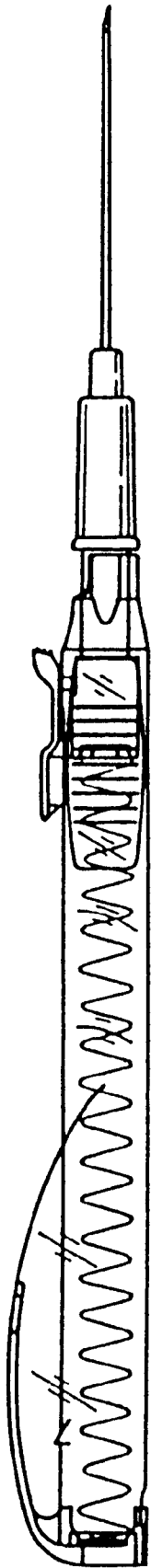


Fig.4

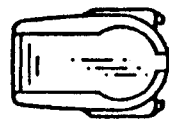


Fig.5

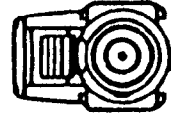


Fig.6

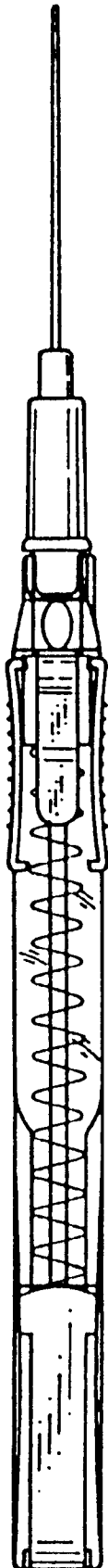


Fig.7



Fig.8

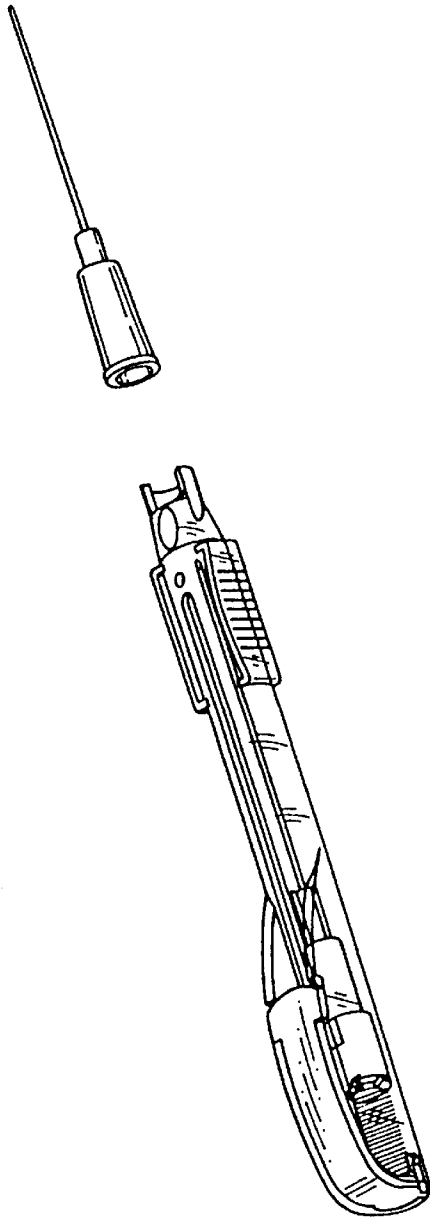


Fig.9

