



US00D935083S

(12) **United States Design Patent**  
**Knauff**

(10) **Patent No.:** **US D935,083 S**

(45) **Date of Patent:** **\*\* Nov. 2, 2021**

(54) **CEILING LAMP**

(71) Applicant: **ANSORG GMBH**, Mulheim an der Ruhr (DE)

(72) Inventor: **Volker Knauff**, Essen (DE)

(73) Assignee: **Ansorg GmbH**, Mulheim an der Ruhr (DE)

(\*\*) Term: **15 Years**

(21) Appl. No.: **29/691,884**

(22) Filed: **May 20, 2019**

(30) **Foreign Application Priority Data**

Nov. 21, 2018 (WO) ..... WIPO77048

(51) **LOC (13) Cl.** ..... **26-04**

(52) **U.S. Cl.**  
USPC ..... **D26/76**

(58) **Field of Classification Search**

USPC ..... D26/24, 25, 26, 27, 60-69, 72, 74, 75,  
D26/76, 77, 78, 80, 81, 82, 83, 85, 86,  
D26/88, 89, 93, 104, 106, 108-115, 118,  
D26/120; D10/111-115  
CPC ..... F21S 8/00; F21S 8/03; F21S 8/04; F21S  
8/026; F21S 8/046; F21S 8/088; F21S  
8/02; F21S 8/06; F21S 8/033; F21S 8/37;  
F21S 8/048; F21S 8/083; F21S 2/00;  
F21V 15/00; F21V 15/01; F21V 17/164;  
F21V 23/026

See application file for complete search history.

(56) **References Cited**

**U.S. PATENT DOCUMENTS**

2,323,073 A \* 6/1943 Netting ..... H01R 33/02  
362/225  
D191,762 S \* 11/1961 Rothman ..... D26/76  
D203,060 S \* 11/1965 Schaefer ..... D26/76  
D216,911 S \* 3/1970 Specht ..... D26/24

D229,628 S \* 12/1973 Wolfson ..... D26/67  
D308,260 S \* 5/1990 Shemitz ..... D26/63  
D364,479 S \* 11/1995 Gilbert ..... D26/75  
D378,143 S \* 2/1997 Kollins ..... D26/60

(Continued)

**FOREIGN PATENT DOCUMENTS**

WO D079617-001 \* 12/2012  
WO D079617-002 \* 12/2012

(Continued)

**OTHER PUBLICATIONS**

“Dodo Outlet Center,” 2017, ansorg.com, site visited Oct. 29, 2020,  
URL: <https://ansorg.com/en/references/home-stores/dodo-outlet-store/#/> (Year: 2017).\*

(Continued)

*Primary Examiner* — Eric L Goodman  
*Assistant Examiner* — Sarah L Smith  
(74) *Attorney, Agent, or Firm* — Dentons US LLP

(57) **CLAIM**

The ornamental design for a ceiling lamp, as shown and described.

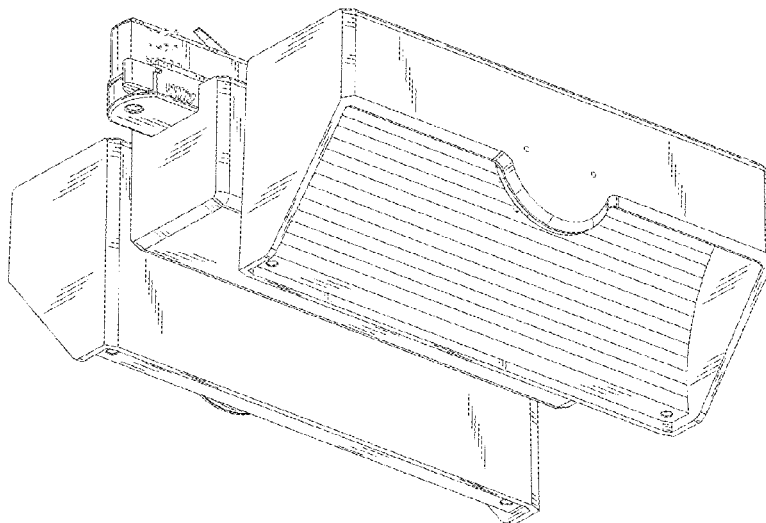
**DESCRIPTION**

FIG. 1 is a front and left side isometric view of a ceiling lamp;  
FIG. 2 is a rear and right side isometric view thereof;  
FIG. 3 is a front elevation view thereof;  
FIG. 4 is a right-side elevation view thereof;  
FIG. 5 is a rear elevation view thereof;  
FIG. 6 is a top view thereof; and,  
FIG. 7 is a bottom view thereof.

The drawings include surface shading that represents contour and not surface ornamentation.

Broken lines shown in drawings illustrate portions of the ceiling lamp that form no part of claimed design.

**1 Claim, 3 Drawing Sheets**



(56)

References Cited

U.S. PATENT DOCUMENTS

D390,992	S	*	2/1998	Shemitz	.....	D26/63
D412,592	S	*	8/1999	Kowalenko	.....	D26/63
D463,061	S	*	9/2002	Ludwig	.....	D26/118
D463,601	S	*	9/2002	Ludwig	.....	D26/76
D464,160	S	*	10/2002	Ludwig	.....	D26/76
D465,049	S	*	10/2002	Ludwig	.....	D26/75
D567,989	S	*	4/2008	Goetz-Schaefer	.....	D26/89
D617,929	S	*	6/2010	Kuo	.....	D26/60
D623,787	S	*	9/2010	Kuo	.....	D26/60
D629,548	S	*	12/2010	Cai	.....	D26/63
D731,109	S	*	6/2015	Wardenburg	.....	D26/118
D774,681	S	*	12/2016	Liang	.....	D26/85
D834,736	S	*	11/2018	Liu	.....	26/85
D838,025	S	*	1/2019	Yu	.....	D26/63
D862,764	S	*	10/2019	Deng	.....	D26/72
D872,342	S	*	1/2020	Dinh	.....	D26/85
D895,194	S	*	9/2020	Bou Harb	.....	D26/113
2008/0094838	A1	*	4/2008	Russello	.....	F21V 23/0442 362/249.07
2017/0234508	A1	*	8/2017	Hesse	.....	F21V 3/04 362/235

FOREIGN PATENT DOCUMENTS

WO	304416309	*	12/2017
WO	D103112-001	*	10/2018
WO	D103112-002	*	10/2018
WO	D208980-006	*	7/2020

OTHER PUBLICATIONS

“NAVO using LED technology,” Mar. 17, 2014, [ixtenso.com](http://ixtenso.com), site visited Nov. 2, 2020, URL: <https://ixtenso.com/lighting/navo-using-led-technology-will-set-the-standards-for-aisle-areas-in-the-future.html> (Year: 2014).\*

“Sun & Sand Sports,” 2015, [ansorg.com](http://ansorg.com), site visited Oct. 29, 2020, URL: <https://ansorg.com/en/references/fashion/sun-sand-sports/#/> (Year: 2015).\*

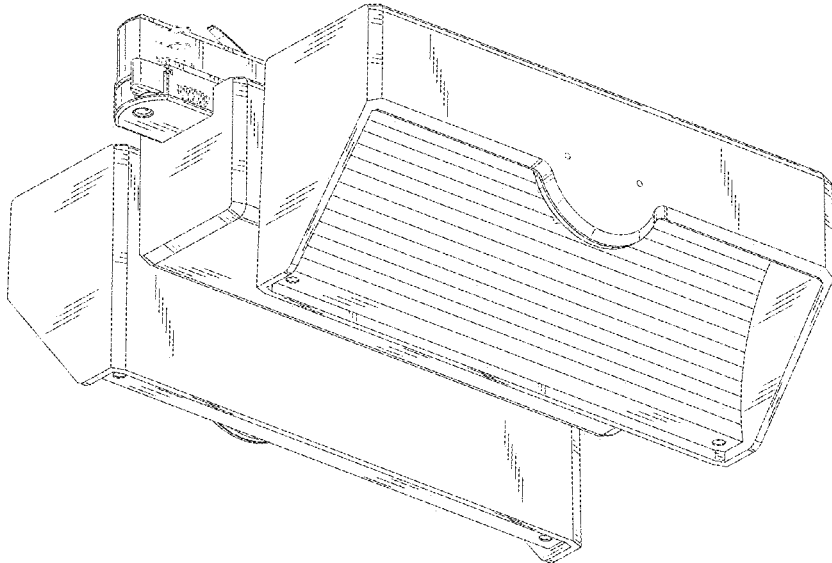
“150W LED Wall Pack Light with Dusk-to-Dawn Photocell,” Jan. 5, 2017, [amazon.com](http://amazon.com), site visited Oct. 29, 2020, URL: [https://www.amazon.com/18000lm-Outdoor-Security-600-800W-Replacement/dp/B00P5VMN86/ref=sr\\_1\\_8?dchild=1&keywords=wall+pack+light&qid=1603977308&sr=8-8](https://www.amazon.com/18000lm-Outdoor-Security-600-800W-Replacement/dp/B00P5VMN86/ref=sr_1_8?dchild=1&keywords=wall+pack+light&qid=1603977308&sr=8-8) (Year: 2017).\*

“Lighting Tools 2017,” 2017, [archiexpo.com](http://archiexpo.com), site visited Nov. 6, 2020, URL: <https://pdf.archiexpo.com/pdf/ansorg/lighting-tools-2017/53320-293190.html> (Year: 2017).\*

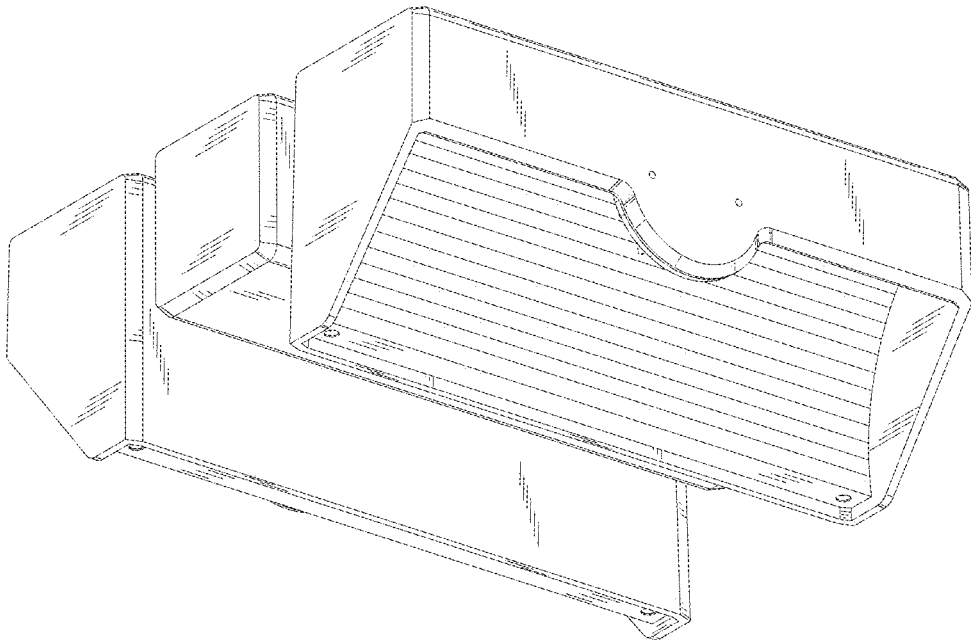
“Bio & Co,” 2017, [ansorg.com](http://ansorg.com), site visited Oct. 29, 2020, URL: <https://ansorg.com/en/references/food/bio-co-vallauris/#/> (Year: 2017).\*

“Organic Farma Zdrowia,” 2018, [ansorg.com](http://ansorg.com), site visited Oct. 29, 2020, URL: <https://ansorg.com/en/references/food/organic-farma-zdrowia/#/> (Year: 2018).\*

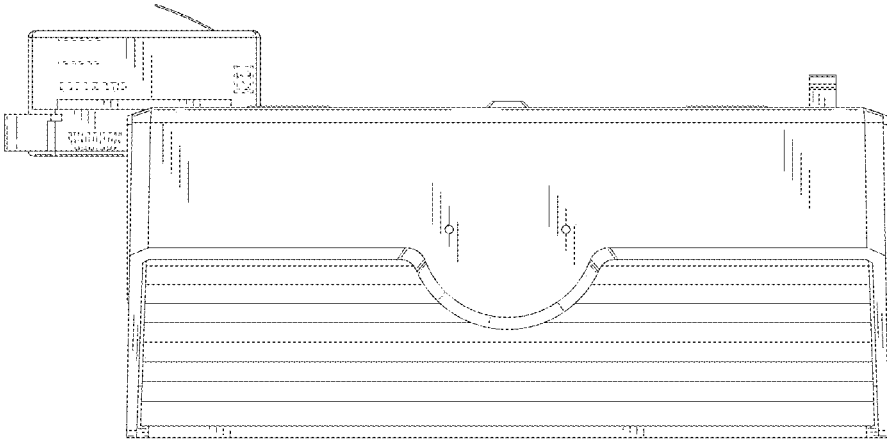
\* cited by examiner



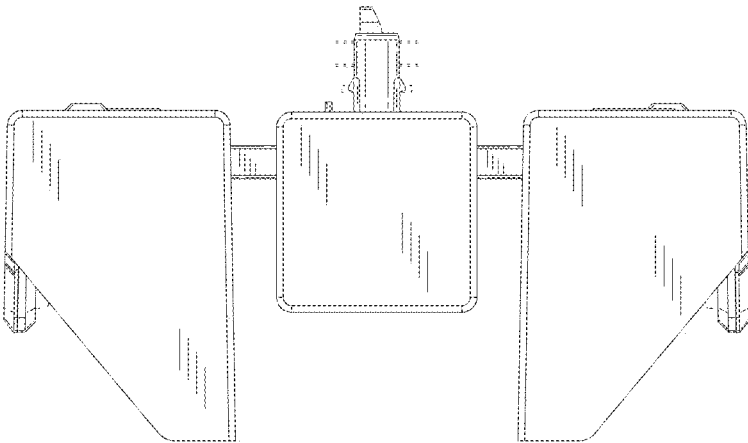
**FIG. 1**



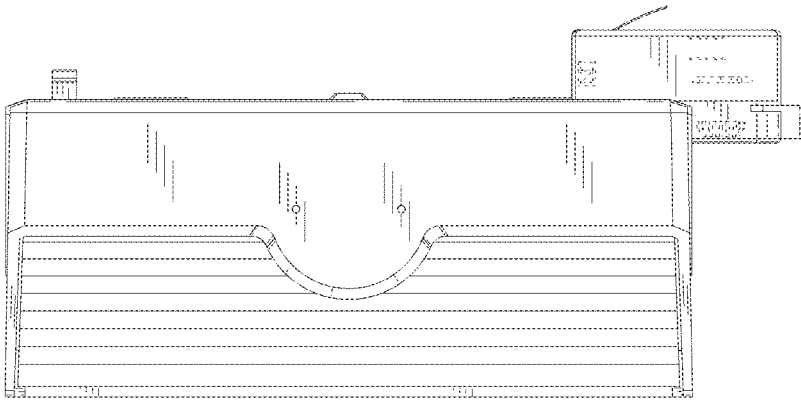
**FIG. 2**



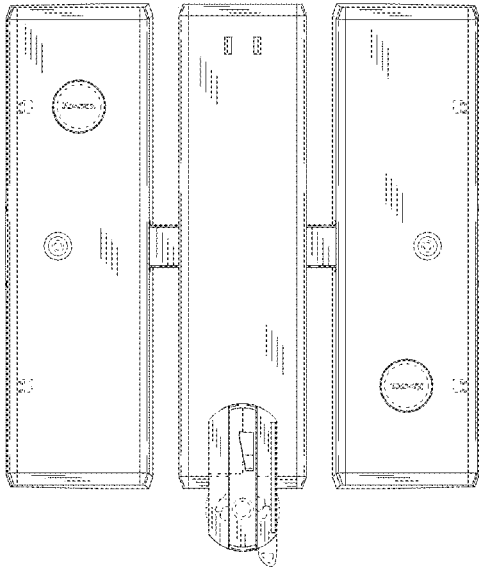
**FIG. 3**



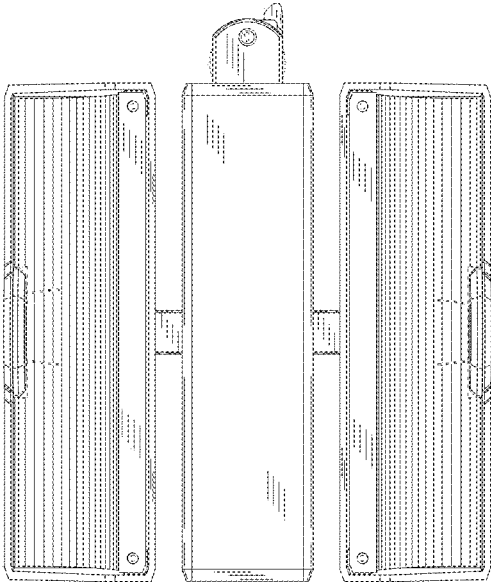
**FIG. 4**



**FIG. 5**



**FIG. 6**



**FIG. 7**