



(72) OZLUTURK, FATIH M., US

(71) INTERDIGITAL TECHNOLOGY CORPORATION, US

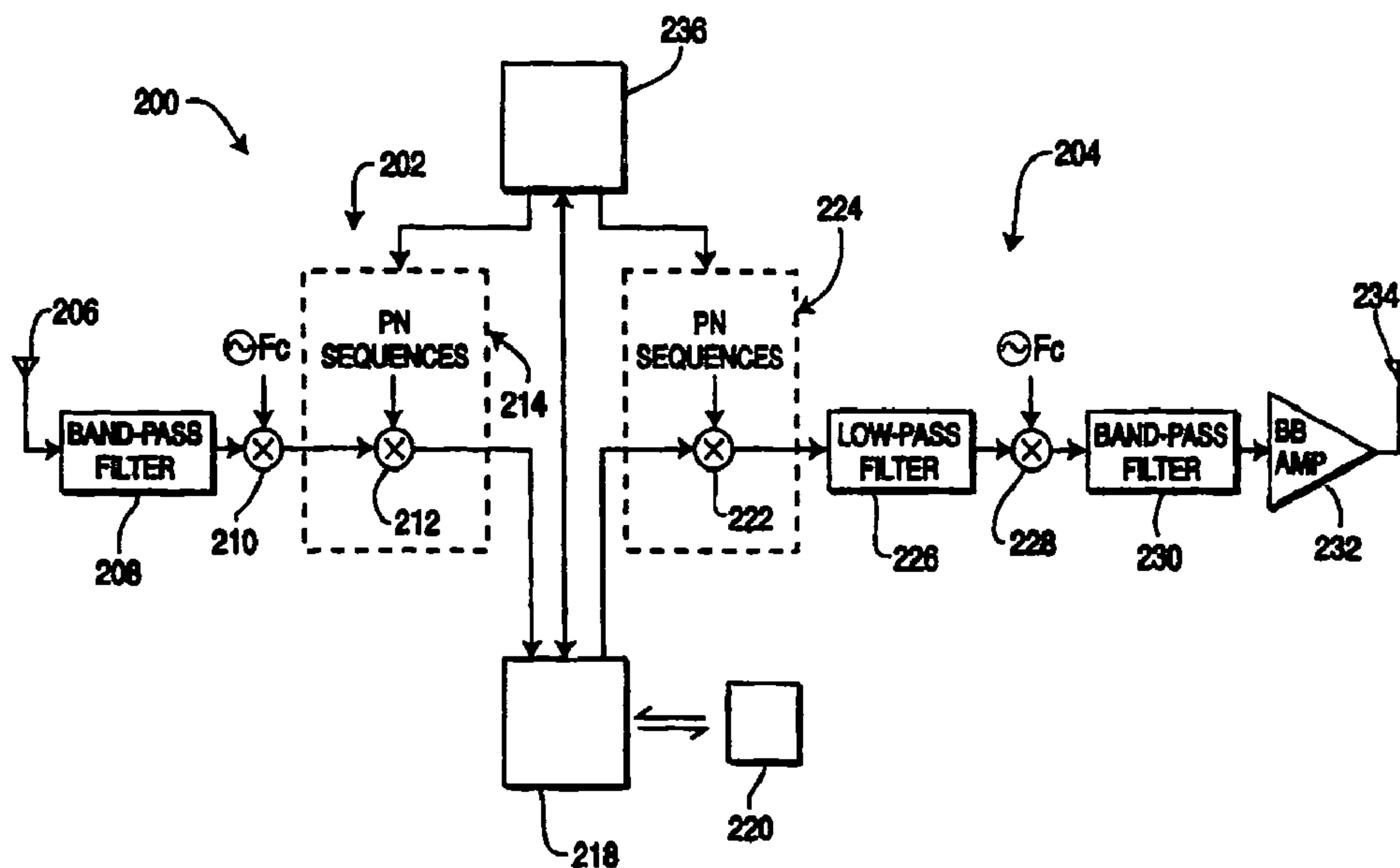
(51) Int.Cl.<sup>7</sup> H04B 1/707

(30) 1997/06/16 (60/049,637) US

(30) 1997/07/22 (08/898,537) US

(54) **SYSTEME DE TRANSMISSION AMDC AFFECTANT  
SELECTIVEMENT LES LARGEURS DE BANDE SUR  
DEMANDE**

(54) **CDMA COMMUNICATION SYSTEM WHICH SELECTIVELY  
ALLOCATES BANDWIDTH UPON DEMAND**



(57) Un système de radio transmission numérique AMDC prend en charge tous les types de transmissions de données et de transmissions vocales tout en utilisant la largeur de bande minimum pour l'application particulière. Sur demande d'un abonné, le système affecte efficacement une largeur de bande RNIS. Après l'initialisation de l'unité d'abonné, le système établit une voie et produit les codes d'étalement

(57) A CDMA wireless digital communication system which supports all types of voice and data communications while utilizing the minimum amount of bandwidth for the particular application. The system efficiently allocates ISDN bandwidth on demand by a subscriber. Upon initialization of the subscriber unit, the system establishes a channel and generates the necessary spreading codes to support the highest capacity channel





(21) (A1) **2,294,226**  
(86) 1998/05/26  
(87) 1998/12/23

nécessaires pour prendre en charge la voie à la plus grande capacité que l'unité d'abonné désire. Des parties de la largeur de bande du spectre de transmission demeurent non réservées jusqu'à ce que l'unité d'abonné les demande. Puisque la communication est établie au début d'un appel lancé par cette unité d'abonné, y compris l'affectation des codes d'étalement, une unité d'abonné peut rapidement accéder à la partie du spectre nécessaire à la prise en charge de l'application particulière.

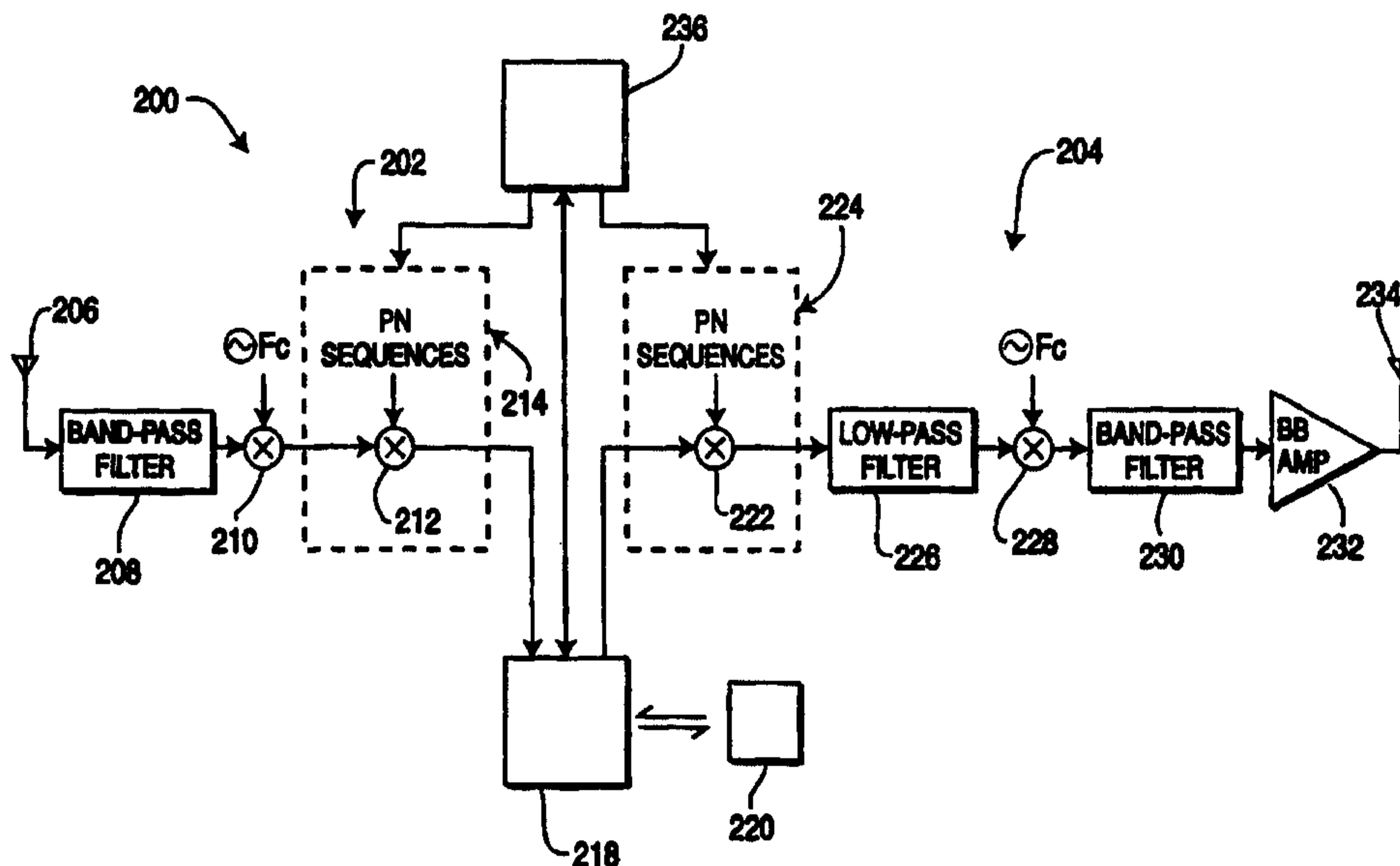
desired by the subscriber unit. Portions of the communication spectrum bandwidth are not reserved until actually required by the subscriber unit. Since the call setup is performed at the beginning of a call from that subscriber unit, including the assignment of spreading codes, a subscriber unit can quickly gain access to the portion of the spectrum that is required to support the particular application.

**PCT**WORLD INTELLECTUAL PROPERTY ORGANIZATION  
International Bureau

## INTERNATIONAL APPLICATION PUBLISHED UNDER THE PATENT COOPERATION TREATY (PCT)

<p>(51) International Patent Classification <sup>6</sup> : <b>H04B 1/707</b></p>	<p><b>A2</b></p>	<p>(11) International Publication Number: <b>WO 98/58456</b> (43) International Publication Date: 23 December 1998 (23.12.98)</p>
<p>(21) International Application Number: PCT/US98/10600 (22) International Filing Date: 26 May 1998 (26.05.98) (30) Priority Data: 60/049,637 16 June 1997 (16.06.97) US 08/898,537 22 July 1997 (22.07.97) US (71) Applicant: INTERDIGITAL TECHNOLOGY CORPORATION [US/US]; Suite 535, 300 Delaware Avenue, Wilmington, DE 19801 (US). (72) Inventor: OZLUTURK, Fatih, M.; 1474 Middle Neck Road, Port Washington, NY 11050 (US). (74) Agents: VOLPE, Anthony, S. et al.; Volpe and Koenig, P.C., 400 One Penn Center, 1617 John F. Kennedy Boulevard, Philadelphia, PA 19103 (US).</p>	<p>(81) Designated States: AL, AM, AT, AU, AZ, BA, BB, BG, BR, BY, CA, CH, CN, CU, CZ, DE, DK, EE, ES, FI, GB, GE, GH, GM, GW, HU, ID, IL, IS, JP, KE, KG, KP, KR, KZ, LC, LK, LR, LS, LT, LU, LV, MD, MG, MK, MN, MW, MX, NO, NZ, PL, PT, RO, RU, SD, SE, SG, SI, SK, SL, TJ, TM, TR, TT, UA, UG, UZ, VN, YU, ZW, ARIPO patent (GH, GM, KE, LS, MW, SD, SZ, UG, ZW), Eurasian patent (AM, AZ, BY, KG, KZ, MD, RU, TJ, TM), European patent (AT, BE, CH, CY, DE, DK, ES, FI, FR, GB, GR, IE, IT, LU, MC, NL, PT, SE), OAPI patent (BF, BJ, CF, CG, CI, CM, GA, GN, ML, MR, NE, SN, TD, TG).</p> <p><b>Published</b> <i>Without international search report and to be republished upon receipt of that report.</i></p>	

(54) Title: CDMA COMMUNICATION SYSTEM WHICH SELECTIVELY ALLOCATES BANDWIDTH UPON DEMAND



## (57) Abstract

A CDMA wireless digital communication system which supports all types of voice and data communications while utilizing the minimum amount of bandwidth for the particular application. The system efficiently allocates ISDN bandwidth on demand by a subscriber. Upon initialization of the subscriber unit, the system establishes a channel and generates the necessary spreading codes to support the highest capacity channel desired by the subscriber unit. Portions of the communication spectrum bandwidth are not reserved until actually required by the subscriber unit. Since the call setup is performed at the beginning of a call from that subscriber unit, including the assignment of spreading codes, a subscriber unit can quickly gain access to the portion of the spectrum that is required to support the particular application.

**CDMA COMMUNICATION SYSTEM WHICH  
SELECTIVELY ALLOCATES BANDWIDTH UPON DEMAND**

**CROSS REFERENCE TO RELATED APPLICATION**

5 This application is a continuation-in-part of Provisional  
Application No. 60/049,637, filed June 16, 1997.

**BACKGROUND OF THE INVENTION**

**Field of the Invention**

10 This invention generally relates to wireless  
communication systems. More particularly, the invention  
relates to a wireless digital Code Division Multiple Access  
(CDMA) communication system including a base station and a  
plurality of subscriber units which selectively allocates  
bandwidth upon demand by a subscriber unit or an entity  
desiring to establish a communication with a subscriber unit.

15 **Description of the Related Art**

The use of wireless technology by the telecommunication  
industry has increased dramatically as the capacity and  
reliability of wireless communication systems has improved.  
Once considered only to be a convenient method for sending  
20 voiced communications, digital wireless communications systems  
are now a necessity for providing transmission of all forms  
of communications including plain old telephony service  
(POTS), integrated services digital network (ISDN), variable  
bit rate (VBR) data service, wideband service, leased line  
25 service and packet data services. Although it has been  
technically feasible to transmit all of these types of  
services, the large amount of bandwidth required for high data

WO 98/58456

PCT/US98/10600

rate communications has made many of these services uneconomical. As the number of subscribers requiring access to wireless digital communication systems has increased, the reliance on a wide bandwidth for each communication is no longer realistic.

The finite bandwidth allocated to wireless communications systems for public use has become increasingly valuable. Since it is unlikely that additional bandwidth to support user growth will be allocated for existing applications, many of the recent advances in telecommunication hardware and software have been directed toward increasing the transmission rate of data while utilizing a decreased amount of bandwidth.

Accordingly, there exists a need for a wireless digital communication system which supports the same high data rate services as conventional wired networks while utilizing the allocated bandwidth more efficiently.

#### SUMMARY OF THE INVENTION

The present invention is a CDMA wireless digital communication system which supports all types of voice and data communications while utilizing the minimum amount of bandwidth for the particular application. The system efficiently allocates ISDN bandwidth on demand by a subscriber. Upon initialization of the subscriber unit, the system establishes a channel and generates the necessary spreading codes to support the highest capacity channel desired by the subscriber unit. However, the system does not set aside portions of the communication bandwidth until

actually required by the subscriber unit. Since the call setup is performed at the beginning of any call from that particular subscriber unit, including the assignment of spreading codes, a subscriber unit can quickly gain access to the portion of the spectrum that is required to support the particular application.

Accordingly, it is an object of the invention to provide a wireless digital spread spectrum communication system which supports a range of telephone services including POTS and ISDN while efficiently utilizing the spread spectrum bandwidth.

Other objects and advantages of the present invention will become apparent after reading the description of a presently preferred embodiment.

#### BRIEF DESCRIPTION OF THE DRAWINGS

Figure 1 is a block diagram of a code division multiple access spread spectrum communication system according to the present invention;

Figure 2A is a block diagram of the interface between the subscriber unit of the present invention and an ISDN terminal;

Figure 2B is a block diagram of the interface between the subscriber unit of the present invention and a POTS terminal;

Figure 2C is a block diagram of the interface between the subscriber unit of the present invention and a packet terminal;

Figure 2D is a block diagram of the interface between the subscriber unit of the present invention and a wideband connection;

**Figure 2E** is a block diagram of the interface between the subscriber unit of the present invention and a leased line terminal;

5 **Figure 2F** is a block diagram of the interface between the subscriber unit of the present invention and an ISDN and POTS network;

**Figure 2G** is a block diagram of the interface between the subscriber unit of the present invention and a wideband and packet network;

10 **Figure 2H** is a block diagram of the interface between the subscriber unit of the present invention and a leased line network;

**Figure 3** is a block diagram of a subscriber unit in accordance with the present invention;

15 **Figure 4** is a block diagram of an RCS in accordance with the present invention;

**Figure 5** is a flow diagram of the procedure for dynamic allocation of bandwidth for ISDN service;

20 **Figures 6A** and **6B** are flow diagrams of the establishment of the bearer channel between the subscriber unit and the RCS for POTS service;

**Figure 7** shows the layered protocol of the communications between the subscriber unit and RCS;

25 **Figures 8A** illustrates the simplified bearer switching method as initiated by the subscriber unit;

**Figure 8B** illustrates the simplified bearer switching method as initiated by the RCS; and

Figures 9A and 9B are flow diagrams of the establishment of the bearer channel between the subscriber unit and the RCS for ISDN service.

5                   **DETAILED DESCRIPTION OF THE PREFERRED EMBODIMENT**

The preferred embodiment will be described with reference to the drawing figures wherein like numerals represent like elements throughout.

10                   The system of the present invention provides local-loop telephone service using radio links between one or more base stations and at least one remote subscriber unit. In the exemplary embodiment, the radio link is described for a base station communicating with a fixed subscriber unit (FSU), but the system is equally applicable to systems including multiple  
15                   base stations with radio links to both fixed subscriber units and mobile subscriber units (MSUs). Consequently, the fixed and mobile subscriber units will be referred to herein as subscriber units.

20                   Referring to **Figure 1**, a base station 101 provides call connection to a local exchange 103 or any other telephone network switching interface, such as a private branch exchange (PBX), and includes at least one radio carrier station (RCS) 104, 105...110. One or more RCSs 104, 105, 110 connect to a radio distribution unit (RDU) 102 through links 131, 132, 137,  
25                   138, 139 and RDU 102 interfaces with the local exchange 103 by transmitting and receiving call set-up, control, and information signal through telco links 141, 142, 150. The subscriber units 116, 119 communicate with the RCS 104 through



radio links 161, 162, 163, 164, 165. Alternatively, another embodiment of the invention includes several subscriber units and a "master subscriber unit" with functionality similar to the RCS 104. Such an embodiment may or may not have  
5 connection to a local telephone network.

The radio links 161 to 165 operate within the frequency bands of the CDS1800 standard (1.71-1.785 GHz and 1.805-1.880 GHz); the US-PCS standard (1.85-1.99 GHz); and the CEPT standard (2.0-2.7 GHz). Although these bands are used in the  
10 described embodiment, the invention is equally applicable to any RF frequency band including the entire UHF and SHF bands, and bands from 2.7 GHz to 5 GHz. The transmit and receive bandwidths are multiples of 3.5 MHz starting at 7 MHz, and multiples of 5 MHz starting at 10 MHz, respectively. The  
15 described system includes bandwidths of 7, 10, 10.5, 14 and 15 MHz. In the exemplary embodiment of the invention, the minimum guard band between the uplink and downlink is 20 MHz, and is desirably at least three times the signal bandwidth. The duplex separation is between 50 to 175 MHz, with the  
20 described invention using 50, 75, 80, 95 and 175 MHz. Other frequencies may also be used.

Although the system may use different spread-spectrum bandwidths centered around a carrier for the transmit and receive spread-spectrum channels, the present invention is  
25 readily extended to systems using multiple spread-spectrum bandwidths for the transmit channels and multiple spread-spectrum bandwidths for the receive channels. Alternatively, the same spread-spectrum bandwidth for both the transmit and

receive channels may be employed wherein uplink and downlink transmissions will occupy the same frequency band. The present invention may also be readily extended to multiple CDMA frequency bands, each conveying a respectively different set of messages, uplink, downlink or uplink and downlink.

The spread binary symbol information is transmitted over the radio links 161 to 165 using quadrature phase shift keying (QPSK) modulation with Nyquist pulse shaping. However, other modulation techniques may be used including, but not limited to, offset QPSK minimum shift keying (MSK), Gaussian phase shift keying (GPSK) and M-ary phase shift keying (MPSK).

The radio links 161 to 165 incorporate broadband code division multiple access (B-CDMA™) technology as the mode of transmission in both the uplink and downlink directions. CDMA (also known as spread spectrum) communication techniques used in multiple access systems are well-known, and are described in U.S. Patent 5,228,056 entitled SYNCHRONOUS SPREAD-SPECTRUM COMMUNICATION SYSTEM AND METHOD by Donald Schilling. The system described utilizes the direct sequence spreading technique. The CDMA modulator generates the spread-spectrum spreading code sequence, which can be a pseudonoise sequence, and performs complex direct sequence modulation of the QPSK signals with spreading code sequences for the In-phase (I) and Quadrature (Q) channels. Pilot signals, spreading codes which are not modulated by data, are generated and transmitted with the modulated signals. The pilot signals are used for synchronization, carrier phase recovery, and for estimating the impulse response of the radio channel. Each subscriber

WO 98/58456

PCT/US98/10600

unit 111-118 includes a code generator and at least one CDMA modulator and demodulator, which together comprise a CDMA modem. Each RCS 104, 105, 110 has at least one code generator plus sufficient CDMA modulators and demodulators for all of the logical channels in use by the subscriber units.

The CDMA demodulator despreads the signal with appropriate processing to reduce or exploit multipath propagation effects. The radio links support multiple traffic channels with data rates of 8, 16, 32, 64, 128 and 144 kb/s. The physical channel to which a traffic channel is connected operates with a 64k symbol/sec rate. Other data rates may be supported, and forward error correction (FEC) coding can be employed. For the described embodiment, FEC with a coding rate of 1/2 and a constraint length 7 is used. Other rates and constraint lengths can be used consistent with the code generation techniques employed.

Referring again to **Figure 1**, the RCS 104 interfaces to the RDU 102 through a plurality of RF links or terrestrial links 131, 132, 137 with, for example, 1.533 Mb/s DS1, 2.048 Mbs/ E1; or HDSL formats to receive and send digital data signals. While these are typical telephone company standardized interfaces, the present invention is not limited to these digital data formats only. The exemplary RCS line interface (not shown in **Figure 1**) translates the line coding (such as HDB3, B8ZS, AMI) and extracts or produces framing information, performs alarms and facility signaling functions, as well as channel specific loop-back and parity check functions. This provides 64 kb/s PCM encoded or 32 kb/s ADPCM

encoded telephone traffic channels or ISDN channels to the RCS 104, 105, 110 for processing as will be described in greater detail hereinafter. Other voice compression techniques can be used consistent with the sequence generation techniques.

5           The system of the present invention also supports bearer rate modification between the RCS 104 and the subscriber unit 111 for both POTS service and ISDN service. The subscriber units 111-118 may interface with a telephone unit 170, a local switch (PBX) 171, a data terminal 172, an ISDN interface 173  
10 or other types of equipment shown in **Figures 2A-2H**. The input from the telephone unit 170 may include voice, voiceband data and signaling. Although the present invention is applicable to the communications between a plurality of subscriber units 111-118 and a plurality of RCSs 104-110, reference hereinafter  
15 will be made to a particular subscriber unit and RCS for simplicity. If the signals input into the subscriber unit are not digital, the subscriber unit 111 translates the analog signals into digital sequences for transmission to the RCS 104. The subscriber unit 112 encodes voice data with  
20 techniques such as ADPCM at rates of 32 kb/s or lower. The RCS 104 detects voiceband data or facsimile data with rates above 4.8 kb/s to modify the bearer rate of the traffic channel for unencoded transmission. Also A-law, u-law, or no companding of the signal may be performed before transmission.  
25 As is well known to those of skill in the art, data compression techniques for digital data such as idle flag removal may also be used to conserve capacity and minimize interference.

The transmit power level of the radio interface between the RCS 104 and the subscriber unit 111 is controlled using a different closed loop power control method for the downlink and uplink directions. The automatic forward power control (AFPC) method determines the downlink transmit power level and the automatic reverse power control (ARPC) method determines the uplink transmit power level. The logical control channel by which the subscriber unit 111 and the RCS 104 transfer power control information operates at an update rate of at least a 16 kHz. Other embodiments may use a faster or slower update rate, for example 64 kHz. These algorithms ensure that the transmit power of a user maintains an acceptable bit-error rate (BER), maintain the system power at a minimum to conserve power and maintain the power level of the subscriber unit 111 as received by the RCS 104 at a nearly equal level.

The system also uses an optional maintenance power control method during the inactive mode of the subscriber unit 111. When the subscriber unit 111 is inactive or powered-down to conserve power, the subscriber unit 111 occasionally activates to adjust its initial transmit power level setting in response to a maintenance power control signal from the RCS 104. The maintenance power control signal is determined by the RCS 104 by measuring the received power level of the subscriber unit 111 and present system power level and calculating the necessary initial transmit power. The method shortens the channel acquisition time of the subscriber unit 111 to begin a communication and prevents the transmit power level of the subscriber unit 111 from becoming too high and

interfering with other channels during the initial transmission before the closed loop power control reduces the transmit power.

5 The RCS 104 obtains synchronization of its clock from an interface line such as, but not limited to, E1, T1, or HDSL interfaces. The RCS 104 can also generate its own internal clock signal from an oscillator which may be regulated by a global positioning system (GPS) receiver. The RCS 104 generates a global pilot code, which can be acquired by the remote subscriber unit 111. All transmission channels of the RCS 104 are synchronized to the global pilot channel. The spreading code phases of code generators (not shown in Figure 1) used for logical communication channels within the RCS 104 are also synchronized to the spreading code phase of the global pilot channel. Similarly, all subscriber units 111-118 which receive the global pilot code of the RCS 104 synchronize the spreading and de-spreading code phases of their code generators to the global pilot code.

Typically, a prior art channel is regarded as a communications path which is part of an interface and which can be distinguished from other paths of that interface without regard to its content. However, for CDMA communications, separate communications paths are distinguished by their content. All logical channels and subchannels of the present invention are mapped to a common 64 kilo-symbols per second (ksym/s) QPSK stream. Some channels are synchronized to associated pilot codes which are generated from, and perform a similar function to, the global

WO 98/58456

PCT/US98/10600

pilot code. The system pilot signals are not considered logical channels.

Several logical communication channels are used over the RF communication link between the RCS 104 and the subscriber unit 111. Each logical communication channel either has a fixed, pre-determined spreading code or a dynamically assigned spreading code. For both predetermined and assigned codes, the code phase is synchronized with the global pilot code.

The spreading codes are specified by the seeds used to generate the codes. A pool of "primary seeds" exists within the RDU 102, a portion of which comprise global primary seeds and the remainder comprise assigned primary seeds. The RDU 102 allocates these primary seeds to the RCSs 104 on an as-needed basis. A global primary seed generates all of the global channel codes for use by an RCS 104 within a cell. However, assigned primary seeds are used to generate secondary assigned seeds. One primary assigned seed generates fifty-seven (57) secondary assigned seeds. Each secondary assigned seed is input into the code generators within the RCS 104 and the subscriber unit 111 to generate a set of assigned channel codes to support each communication link. In the preferred embodiment, each RCS 104 is given one global primary seed for generating global channel codes and two primary assigned seeds. Accordingly, the RCS 104 and its corresponding subscriber units 111-118 may generate up to 114 secondary assigned seeds. Each secondary assigned seed is assigned by the RCS 104 to generate the codes for an active link, thereby

WO 98/58456

PCT/US98/10600

permitting enough codes for up to 114 simultaneous communication links.

Logical communication channels are divided into two groups: 1) global channels; and 2) assigned channels. The global channel group includes channels which are either transmitted from the RCS 104 to all subscriber units 111-118 or from any subscriber unit 111-118 to the RCS 104 regardless of the identity of the subscriber unit 111-118. Channels in the assigned channels group are those channels dedicated to communication between the RCS 104 and a particular subscriber unit 111.

With respect to the global channel group, the global channel group provides for: 1) broadcast control logical channels, which provide point-to-multi-point services for broadcasting messages to all subscriber units 111-118 and paging messages to subscriber units 111-118; and 2) access control logical channels which provide point-to-point services on global channels for subscriber units 111-118 to access the system and obtain assigned channels. The RCS 104 of the present invention has one broadcast control logical channel and multiple access control logical channels. A subscriber unit 111-118 of the present invention has at least one broadcast control logical channel and at least one access control logical channel.

The global logical channels controlled by the RCS 104 are the fast broadcast channel (FBCCH) which broadcasts fast changing information concerning which services and which access channels are currently available, and the slow



broadcast channel (SBCCH) which broadcasts slow changing system information and paging messages.

The subscriber unit **111** uses an access channel (AXCH) to begin communications with the RCS **104** and gain access to assigned channels. Each AXCH is paired with a control channel (CTCH) which is sent from the RCS **104** to the subscriber unit **111**. The CTCH is used by the RCS **104** to acknowledge and reply to access attempts by the subscriber unit **111**. The short access pilot (SAXPT) and the long access pilot (LAXPT) are transmitted synchronously with AXCH to initiate access and to provide the RCS **104** with a time and phase reference. The SAXPT is transmitted by the subscriber unit **111** while it ramps up its transmit power to initiate access to the RCS **104**. Since the SAXPT is a relatively short code it permits the RCS **104** to detect the subscriber unit **111** quickly and avoids power overshoot by the subscriber unit **111**. Further detail regarding transmit power ramp-up using the SAXPT is described in more detail in U.S. Patent No. 5,841,768 entitled A METHOD OF CONTROLLING INITIAL POWER RAMP-UP IN CDMA SYSTEMS BY USING SHORT CODES, issued on December 25, 1998. Until the SAXPT is detected by the RCS **104**, subscriber unit **111** does not send any other signal. Once the SAXPT is detected, the subscriber unit **111** starts transmitting the LAXPT which provides the RCS **104** with a time and phase reference and permits the RCS **104** to determine the channel impulse response.

With respect to the assigned channel group, this group contains the logical channels that control a single communication link between the RCS 104 and the subscriber unit 111. When an assigned channel group is formed, a pair of power control logical message channels for each of the uplink and downlink connections is established and one or more pairs of traffic channels, depending on the type of connection, is established. The bearer control function performs the required forward error control, bearer rate modification and encryption functions.

Each subscriber unit 111-118 has at least one assigned channel group when a communication link is established, and each RCS 104-110 has multiple assigned channel groups, one for each communication link in progress. An assigned channel group of logical channels is created for a communication link upon successful establishment of the communication link. The assigned channel group includes encryption, FEC coding, and multiplexing on transmission, and decryption, FEC decoding and demultiplexing on reception.

Each assigned channel group provides a set of communication link oriented point-to-point services and operates in both directions between a specific RCS 104 and a specific subscriber unit 111. An assigned channel group formed for a communication link can control more than one bearer over the RF communication channel associated with a single communication link. Multiple bearers are used to carry distributed data such as, but not limited to, ISDN. An assigned channel group can provide for the duplication of

WO 98/58456

PCT/US98/10600

traffic channels to facilitate switchover to 64 kb/s PCM for high speed facsimile and modem services for the bearer rate modification function.

5 The assigned logical channels formed upon a successful communication link and included in the assigned channel group are dedicated signaling channel order wire (OW), APC channel and one or more traffic channels (TRCH) which are bearers of 8, 16, 32, or 64 kb/s depending on the service supported. For voice traffic, moderate rate coded speech ADPCM or PCM can be supported on the traffic channels. For ISDN service types, 10 two 64 kb/s TRCHs form the B channels and one 16 kb/s TRCH forms the D channel. Alternatively, the APC subchannel may either be separately modulated on its own CDMA channel, or may be time division multiplexed with a traffic channel or OW 15 channel.

Each subscriber unit 111-118 of the present invention supports up to three simultaneous traffic channels. A subscriber unit is preferably commissioned to be a POTS subscriber unit 112 or an ISDN subscriber unit 115. Although 20 POTS subscriber unit 112 does not support ISDN service in accordance with the present invention, bandwidth resources can be dynamically allocated for either service type. For example, a POTS subscriber unit 112 can set up an additional POTS line and tear it down, or an ISDN subscriber unit 115 can 25 dynamically add B channel-carrying bearers or tear them down. For dynamic bandwidth allocation of a POTS service, an active 32 kb/s ADPCM service modifies the bearer type from 32 kb/s to 64 kb/s unencoded data to support facsimile transmission.

WO 98/58456

PCT/US98/10600

The presence of a facsimile call is determined by the RCS 104 by monitoring the existence of the 2100 Hz answer tone.

For dynamic bandwidth allocation of ISDN service, the RCS 104 monitors the ISDN D channel messages to determine when a B channel is requested and when it should be torn down. Once the RCS 104 determines the need for changing the bearer channel allocation, the RCS 104 initiates the dynamic bearer allocation procedure which will be described in greater detail hereinafter. The mapping of the three logical channels for TRCHs to the user data is shown below in Table 1:

Service	TRCH(0)	TRCH(1)	TRCH(2)
16 kb/s POTS	TRCH/16	not used	not used
32+64 kb/s POTS (during BCM)	TRCH/32	TRCH/64	not used
32 kb/s POTS	TRCH/32	not used	not used
64 kb/s POTS	not used	TRCH/64	not used
ISDN D	not used	not used	TRCH/16
Digital LL @64 kb/s	TRCH/64	not used	not used
Digital LL @ 2x64 kb/s	TRCH/64	TRCH/64	not used
Analog LL @ 64 kb/s	TRCH/64	not used	not used

Table 1: Mapping of service types to the three available TRCH channels

A subscriber unit 200 made in accordance with the present invention is generally shown in Figure 3. The subscriber unit 200 includes a receiver section 202 and a transmitter section 204. An antenna 206 receives a signal from RCS 104, which is filtered by a band-pass filter 208 having a bandwidth equal to twice the chip rate and a center frequency equal to the center frequency of the spread spectrum system's bandwidth. The output of the filter 208 is down-converted by a mixer 210

to a baseband signal using a constant frequency ( $F_c$ ) local oscillator. The output of the mixer 210 is then spread spectrum decoded by applying a PN sequence for each logical channel to a mixer 212 within the PN Rx generator 214. The  
5 output of the mixer 212 is input to a codec 218 which interfaces with the communicating entity 220.

A baseband signal from the communicating entity 220, for example the equipment shown in **Figures 2A-2H**, is pulse code modulated by the codec 218. Preferably, a 32 kb/s adaptive  
10 pulse code modulation (ADPCM) is used. The PCM signal is applied to a mixer 222 within a PN Tx generator 224. The mixer 222 multiplies the PCM data signal with the PN sequence for each logical channel. The output of the mixer 222 is applied to low-pass filter 226 whose cutoff frequency is equal  
15 to the system chip rate. The output of the filter 226 is then applied to a mixer 228 and suitably up-converted, as determined by the carrier frequency  $F_c$  applied to the other terminal. The up-converted signal is then passed through a band-pass filter 230 and to a broadband RF amplifier 232 which  
20 drives an antenna 234. Although two antennas 206, 234 are shown, the preferred embodiment includes a diplexer and a single antenna for transmission and reception. The digital signal processor (DSP) 236 controls the acquisition process as well as the Rx and Tx PN generators 214, 224.

25 The base station 101, which includes a plurality of RCSs 104, 105, 110 made in accordance with the present invention is shown in **Figure 4**. For simplicity, only one RCS 104 is shown. The base station 101 includes a receiver section 302

and a transmitter section 304. An antenna 306 receives a signal from the subscriber unit, which is filtered by a band-pass filter 308 having a bandwidth equal to twice the chip rate and a center frequency equal to the center frequency of the spread spectrum system's bandwidth. The output of the filter 308 is down-converted by a mixer 310 to a baseband signal using a constant frequency ( $F_c$ ) local oscillator. The output of the mixer 310 is then spread spectrum decoded at each modem by applying a PN sequence to a mixer 312 within the PN Rx generator 314. The output of the mixer 316 is then forwarded to the RDU 318.

A baseband signal is received from the RDU 318. Preferably, a 32 kb/s ADPCM signal is used. The ADPCM or PCM signal is applied to a mixer 322 within a PN Tx generator 324. The mixer 322 multiplies the ADPCM or PCM data signal with the PN sequence. The output of the mixer 322 is applied to low-pass filter 326 whose cutoff frequency is equal to the system chip rate. The output of the filter 326 is then applied to a mixer 328 and suitably up-converted, as determined by the carrier frequency  $F_c$  applied to the other terminal. The up-converted signal is then passed through a band-pass filter 330 and to a broadband RF amplifier 332 which drives an antenna 334. Although two antennas 306, 334 are shown, the preferred embodiment includes a diplexer and only one antenna for transmission and reception. The digital signal processor (DSP) 336 controls the acquisition process as well as the Rx and Tx PN generators 314, 324.

The system provides a wireless link between the RCS 104 and the plurality of subscriber units 111-118. In order to conserve as much bandwidth as possible, the system selectively allots the bandwidth required for supporting the data transmission rate required by particular communication. In this manner, the system ensures that the bandwidth is utilized efficiently. For example, referring back to Table 1, voiced communications may be effectively transmitted across a 32 kb/s adaptive pulse code modulation (ADPCM) channel. However, a high speed facsimile or data modem signal requires at least a 64 k/bs PCM signal to reliably transmit the communication. Additionally, although a subscriber unit 115 has paid for ISDN service, which includes two 64 kb/s B channels and one 16 kb/s channel, the entire ISDN capacity is rarely utilized at all times. Many different data transmission rates may also be utilized by originating and terminating nodes.

The originating and terminating nodes may comprise computers, facsimile machines, automatic calling and answering equipment, data networks or any combination of this equipment. For robust communication of data it is imperative to ensure that the communication system switches to the data transmission rate required by the communicating nodes prior to the transmission of any data. The system must be able to effectively allocate bandwidth and dynamically switch between these data communication rates on demand by the user. Modification of the transmission rate from a low rate (that supports voice communication) to a high rate (that supports encoded data communication) ensures that data will be reliably

and quickly transmitted over a communication channel. Additionally, if an ISDN D channel is presently allocated and one or two B channels are required, the system must ensure that the code generators are activated in order to support  
5 the communication.

For POTS, there are two basic scenarios where the bearer channel (TRCH channel) is either modified or a new bearer channel is added or torn down. First, the bearer channel is modified from 32 kb/s coded ADPCM type to 64 kb/s uncoded PCM  
10 service to support a facsimile transmission. Second, a new bearer channel is added or torn down when the subscriber goes off hook while an OA&M (overhead, administration and maintenance) call is in progress, or when an OA&M call is initiated while a POTS call is in progress. While an OA&M  
15 silent call is in progress, the subscriber unit **112** can determine that the user is initiating a new POTS call by monitoring the changes at the A/B interface between the subscriber unit **112** and the communication equipment **170** (on-hook/off-hook sensor). More detail regarding the dynamic  
20 allocation of bandwidth for POTS may be found in U.S. Patent No. 5,799,010 entitled CODE DIVISION MULTIPLE ACCESS (CDMA) COMMUNICATION SYSTEM, issued on August 25, 1998.

For ISDN service, the dynamic bandwidth allocation refers to selective allocation of the D and B channels in a  
25 D, D and



WO 98/58456

PCT/US98/10600

B, or D and 2B bearer channel configuration as needed and tearing them down when they are idle. The ISDN D channel carries control messaging and cannot be torn down while the ISDN call is still active. Accordingly, dynamic bandwidth allocation for ISDN service only relates to the addition and tearing down of B channels.

The procedure 400 for dynamic allocation of bandwidth for ISDN service in accordance with the present invention will be explained in greater detail with reference to **Figure 5**. When an ISDN call is initiated, the D channel is established first (**step 402**). The bandwidth required for the particular application is communicated from the calling ISDN equipment to the called ISDN equipment through messages on the D channel (**step 404**). These messages are in HDLC format and the RCS 104 monitors these messages via an HDLC interface (**step 406**). Once the RCS 104 determines how many B channels are required (**step 408**) it initiates establishment of these bearer channels over the air interface (**step 410**). The RCS continues monitoring the HDLC messages on the D channel during the ISDN call (**step 412**) and determines if additional B channels are to be switched in or out. In case that additional B channels should be switched in or out, the RCS 104 initiates the establishment or tearing down of the bearer channels over the air interface (**step 414**).

A flow diagram showing simplified procedure 600 of the bearer channel establishment will be described with reference to **Figures 6A** and **6B**. The subscriber unit 111 quickly ramps up its transmit power (**step 602**) while sending the SAXPT (**step**

604). When the RCS 104 detects the SAXPT (step 606), it turns the traffic light bit to "red" on the FBCCH (step 608) to signal to the subscriber unit 111 that it has been detected. The RCS 104 transmits the FBCCH (step 610). The subscriber  
5 unit 111 monitors the FBCCH (step 612) and it stops the fast ramp-up when it sees the "traffic light" turn red on the FBCCH (step 614). The subscriber unit 111 then continues a slow ramp-up of its transmit power (step 616) while transmitting the LAXPT (step 618). When the RCS 104 acquires the LAXPT  
10 (step 620), it informs the subscriber unit 111 via the SYNC-OK message on CTCH (step 622). This completes the transmit power ramping up part of the access procedure.

After the subscriber unit 111 receives the SYNC-OK message on the CTCH (step 624), it sends the access request  
15 message on the AXCH (step 626). Upon receiving the request (step 628) the RCS 104 confirms receipt of the AXCH message with a message on CTCH (step 630), which includes the assigned code seed. The subscriber unit 111 detects and acknowledges the bearer confirmation message that carries the assigned code  
20 seed on the AXCH (steps 632 and 634), which the RCS 104 detects (step 636). The code switchover is now negotiated and subscriber unit 111 and RCS 104 simultaneously switch to using the assigned code (steps 638 and 640). The bearer channel is now established.

25 The layered protocol of the communications between the subscriber unit 111 and the RCS 104 is shown in Figure 7 along with its correspondence to the layers of the Open Systems Interconnection (OSI) reference model. The physical (PHL)

layer performs the following functions: 1) generation of CDMA codes; 2) synchronization between transmitter and receiver; 3) providing bearers to the Medium Access Control (MAC) layer; 4) spreading and transmission of bits on a CDMA code specified by the MAC and at a power level specified by the MAC; 5 measurement of received signal strength to allow automatic power control; and 6) generation and transmission of pilot signals. The MAC layers performs the following functions: 1) encoding and decoding for forward error correction (FEC); 10 2) assignment of CDMA codes; 3) encryption and decryption; 4) providing bearers which are encrypted and error-corrected as appropriate; 5) framing, error checking and discrimination of MAC peer to peer messages and data; 6) link control (DLC) frames; and 7) processing of automatic power control 15 information. The data link control layer (DLC) provides an error-free link between higher level layers of the protocol stack.

As shown in **Figure 8A**, the signaling between the subscriber unit 111 and the RCS 104 involves the MAC and DLC 20 layers of the protocol. Once the bearer channel for POTS service is established as described above, the service is available and remains unchanged until it is torn down or unless it has to be modified to support a facsimile transmission or a second call, in the case of a simultaneous 25 OA&M call and POTS call. When there is an OA&M call in progress and the subscriber unit 111 initiates a POTS service call, the procedure as shown in **Figure 8A** is entered. This figure illustrates the simplified bearer switching method as

initiated by the subscriber unit 111. The messages go between the data link control layer (DLC), medium access control layer (MAC) of the subscriber unit 111, and the corresponding layers in the RCS 104. First, the DLC layer of the subscriber unit 5 111 initiates a switch request to the MAC layer of the subscriber unit 111, which refers this switch request to the MAC layer of the RCS 104. The RCS 104 sends a confirmation over the MAC layer to the subscriber unit 111 and also sends a switch indication to the DLC layer of the RCS 104. In the 10 subscriber unit 111, the switch confirmation sent from the RCS 104 over the MAC layer is forwarded to the DLC layer of the subscriber unit 111.

When there is a POTS service call in progress and the RCS 104 initiates an OA&M call to the same subscriber unit 111, 15 the procedure as shown in **Figure 8B** is entered. This figure illustrates the simplified bearer switching method as initiated by the RCS 104. The RCS 104 initiates a switch indication message over the MAC layer to the subscriber unit 111. The subscriber unit 111 then relays this message via the 20 DLC layer.

The bearer channel establishment for ISDN will be explained with reference to **Figure 9A** and **9B**. **Steps 902-940** are the same as the corresponding **steps 602-640** in **Figures 6A** and **6B**. However, several additional steps are required after 25 the subscriber unit 111 and the RCS 104 both switch to the assigned codes (steps 938 and 940). Once the subscriber unit 111 and RCS 104 switch to assigned codes (steps 938 and 940) the ISDN D channel becomes active. At this point the S/T

interface between the subscriber unit 111 and the ISDN equipment is already active. The RCS 104 starts monitoring the D channel messages (step 942), which are in HDLC format. Upon detecting that one or more B channels are needed for the particular application (step 944) the RCS 104 initiates establishment of these bearer channels over the air interface. The process is then continued in accordance with the procedure shown in Figure 5. The MAC and DLC message flow for this procedure is the same as in Figure 8B.

The bearer channels for POTS and ISDN is switched in or out via the same message flow. Whether the bearer channel is switched in or out is indicated by appropriate values in corresponding fields of the D channel messages. Therefore the flow diagram in Figure 8B apply to both dynamic switching in of bearer channels as well as dynamic switching out of bearer channels.

Although the invention has been described in part by making detailed reference to certain specific embodiments, such details is intended to be instructive rather than restrictive. It will be appreciated by those skilled in the art that many variations may be made in the structure and mode of operation without departing from the spirit and scope of the invention as disclosed in the teachings herein.

\* \* \*

What is claimed is:

1. A wireless digital code division multiple access (CDMA) communication system for dynamically switching data communication rates required by users, the system comprising:

5 at least a first communication station (101) including:  
 means for establishing (318) communication channels of predetermined data transmission rates;

means for transmitting (334) a communication at an initial data rate using at least one channel;

10 means for monitoring (104) said communication and determining an adjusted data rate desired for continued support of said communication;

15 means for allocating (104) a sufficient number of channels for the communication based on the adjusted data rate such that the sum of the data rates of the allocated channels is at least equal to the selected data rate and is not greater than the adjusted data rate plus a predetermined rate; and

20 means for continuing the transmission (334) of said communication within said allocated channels whereby said station (101) dynamically adds or tears down channels for said communication by changing the number of allocated channels during said communication.

2. A wireless digital code division multiple access (CDMA) system as in claim 1 wherein said establishing means (318) establishes D channels at a first data rate and B

channels at a second data rate which is greater than said first data rate.

3. A wireless digital code division multiple access (CDMA) system as in claim 2 wherein said first data rate is 16 kb/s and said second data rate is 64 kb/s.

4. A wireless digital code division multiple access (CDMA) system as in claim 3 wherein the communication is an ISDN communication and said allocating means (104) allocates a single D channel and a sufficient number of B channels for  
5 continued transmission of the communication from said station (101) and said predetermined rate is equal to said second data rate.

5. A wireless digital code division multiple access (CDMA) system as in claim 2 wherein the communication is an ISDN communication and said allocating means (104) allocates a single D channel and a sufficient number of B channels for  
5 continued transmission of the communication from said station (101) and said predetermined rate is equal to said second data rate.

6. A wireless digital code division multiple access (CDMA) system as in claim 1 wherein a set of assigned channel codes are assigned for the communication and the allocating means (104) allocates channels having codes within said assigned set.

7. A wireless digital code division multiple access (CDMA) system as in claim 1 further comprising:

at least a second communication station (200) including:

means for receiving (206) from said first station

5 (101) the communication within said allocated channels.

8. A wireless digital code division multiple access (CDMA) as in claim 7 wherein:

said second communication station (200) further includes:

5 means for establishing (236) return communication channels of different data transmission rates;

means for monitoring (236) a return communication and determining a desired return data rate;

10 means for allocating (236) a sufficient number of channels for the return communication based on desired the return data rate such that the total data rate of the allocated return channels is at least equal to the desired return data rate and is not greater than the desired return data rate plus a predetermined rate; and

15 means for transmitting (234) the return communication within said allocated return channels; and said first communication station (101) includes means for receiving (306) the return communication within said allocated return channels.

9. A wireless digital code division multiple access (CDMA) system as in claim 8 wherein each said establishing



means (236, 318) establishes D channels at a first data rate and B channels at a second data rate which is greater than said first data rate.

10. A wireless digital code division multiple access (CDMA) system as in claim 9 wherein said first data rate is 16 kb/s and said second data rate is 64 kb/s.

11. A wireless digital code division multiple access (CDMA) system as in claim 9 wherein the communication and return communication are an ISDN communication; each said allocating means (104, 236) allocates a single D channel and a sufficient number of B channels; and said predetermined rates are equal to said second data rate.

12. A wireless digital code division multiple access (CDMA) as in claim 7 wherein said first communication station (101) is a base station which further comprises:

a physical layer generating CDMA codes, synchronizing between said base station (101) and subscriber units (200), providing bearers, spreading and transmitting bits on a CDMA code, measuring received signal strength to permit automatic power control, and generating transmission of pilot signals;

a medium access control (MAC) layer encoding and decoding for forward error correcting, assigning CDMA codes, encrypting and decrypting communication signals, encrypting and error-correcting to the bearers provided by the physical layer, framing, error checking and discriminating medium

access control peer to peer messages and data, linking  
15 control frames, and processing automatic control information;  
and

a data link control layer providing an error-free link  
among the layers, wherein the data link control layer  
initiates changes in the allocation of channels based on  
20 determining the minimum desired data rate for communications  
channels via physical layer.

13. A wireless digital code division multiple access  
(CDMA) communication system as in claim 12 wherein said  
second communication station (200) is a subscriber unit which  
further comprises:

5 a physical layer generating CDMA codes; synchronizing  
between said base station (101) and said subscriber unit  
(200); providing bearers; spreading and transmitting bits on  
a CDMA code; measuring received signal strength to permit  
automatic power control; and generating transmission of pilot  
10 signals;

a MAC layer encoding and decoding for forward error  
correcting; assigning CDMA codes; encrypting and decrypting  
communication signals; encrypting and error-correcting to the  
bearers provided by the physical layer; framing; error  
15 checking and discriminating medium access control, peer to  
peer messages and data; linking control frames; and  
processing automatic control information; and

a data link control layer providing an error-free link  
among the layers, wherein the data link control layer

20 initiates changes in the allocation of channels based on determining the minimum desired data rate for communications channels via physical layer.

14. A method for allocating bandwidth and dynamically switching between different bandwidths in a communication station (101) of a code division multiple access (CDMA) system based upon the data communication rates required by a user comprising:

5 a) transmitting a communication at an initial data rate using at least one channel;

b) monitoring said communication and determining an adjusted data rate desired for continued support of said communication;

10 c) allocating a sufficient number of channels for the communication based on the adjusted data rate such that the total data rate of the allocated channels is at least equal to the adjusted data rate and is not greater than the adjusted data rate plus a predetermined rate; and

15 d) continuing transmission of said communication within said allocated channels whereby said communication station (101) dynamically adds or tears down channels for said communication by changing the number of allocated channels during said communication.

20 15. A method according to claim 14 wherein steps b, c, and d are repeated during transmission of said communication

to determine new adjusted data rates and new allocations of channels during said communication.

16. A method according to claim 14 wherein said communication station (101) establishes D channels at a first data rate and B channels at a second data rate which is greater than said first data rate and said allocating includes the allocation of a single D channel and a sufficient number of B channels using said second data rate as said predetermined rate.

17. A method according to claim 16 wherein said communication station (101) establishes D channels at a data rate of 16 kb/s and said B channels at a data rate of 64 kb/s.

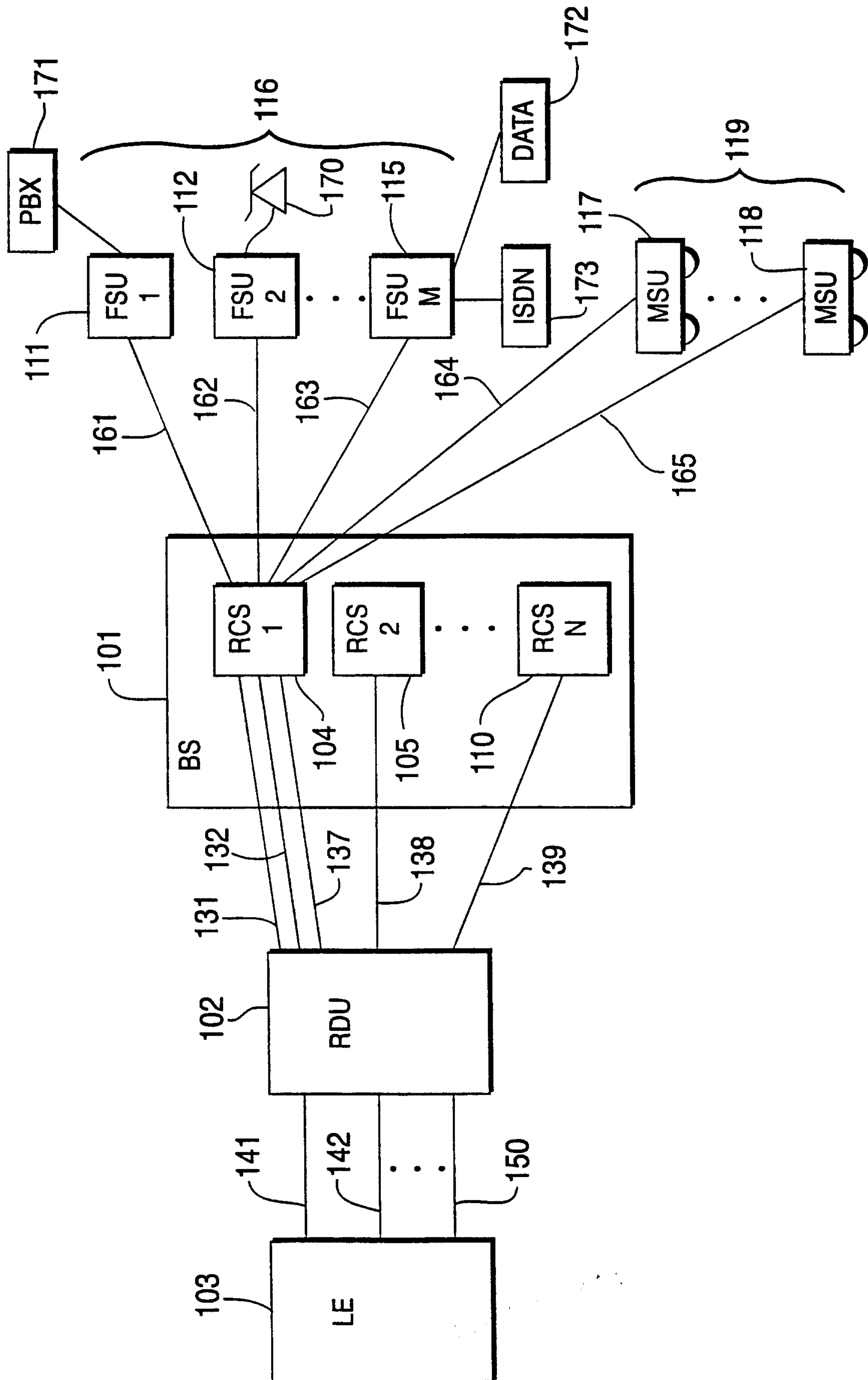
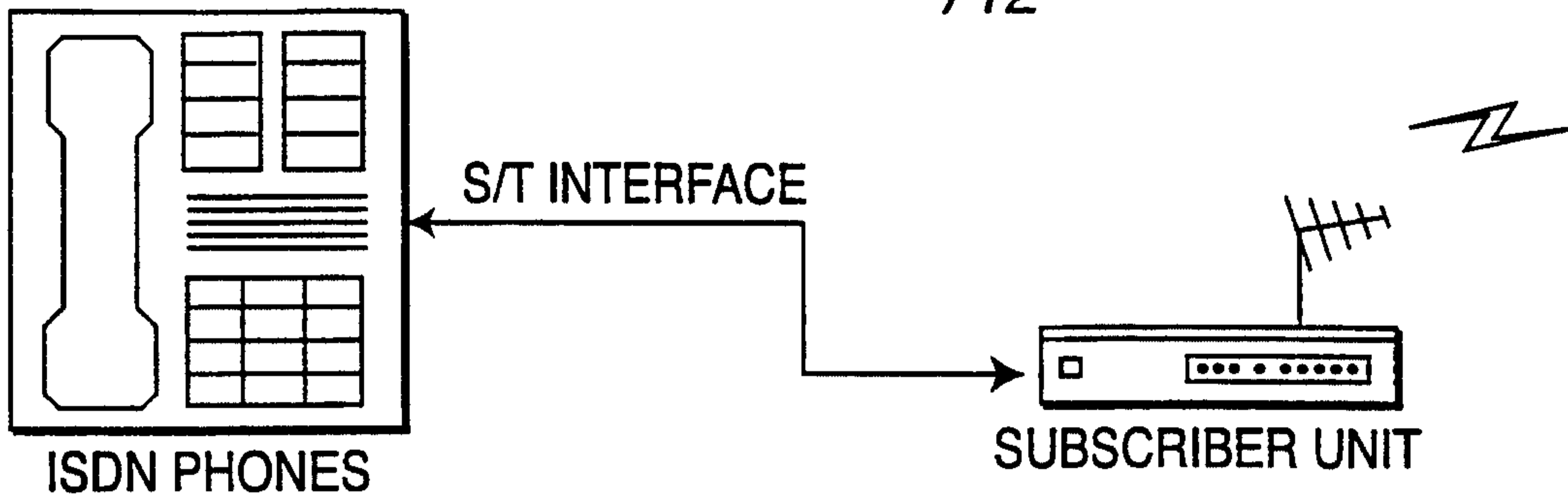


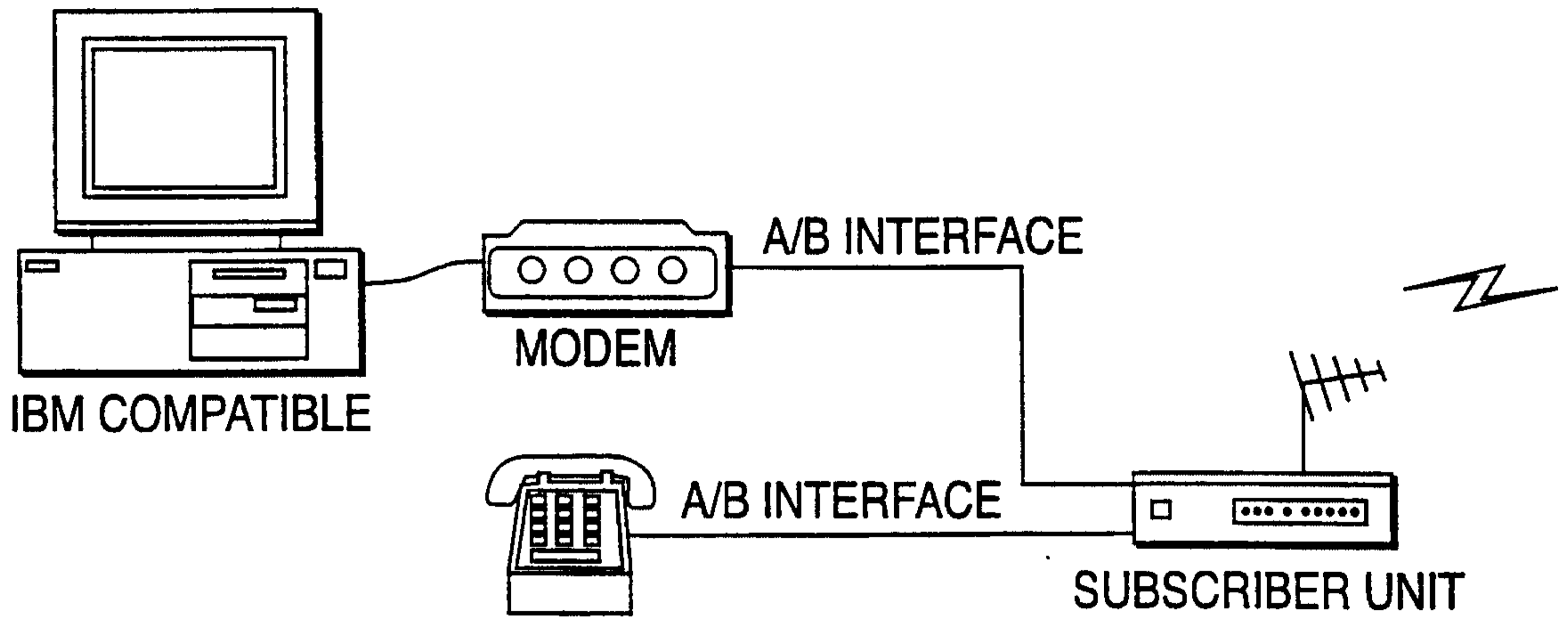
FIG. 1

2/12



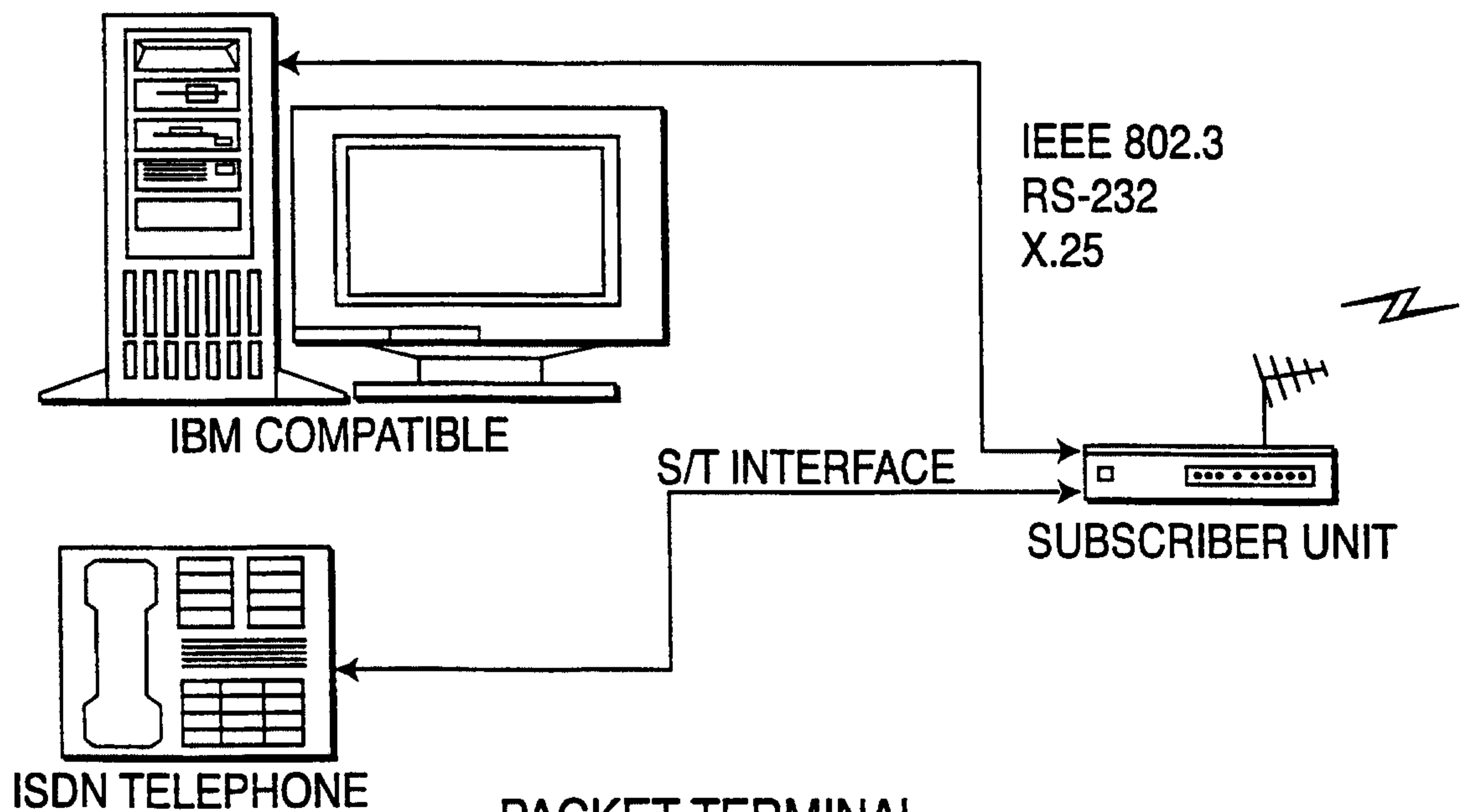
ISDN TERMINAL INTERFACE

**FIG. 2A**



POTS TERMINAL INTERFACE

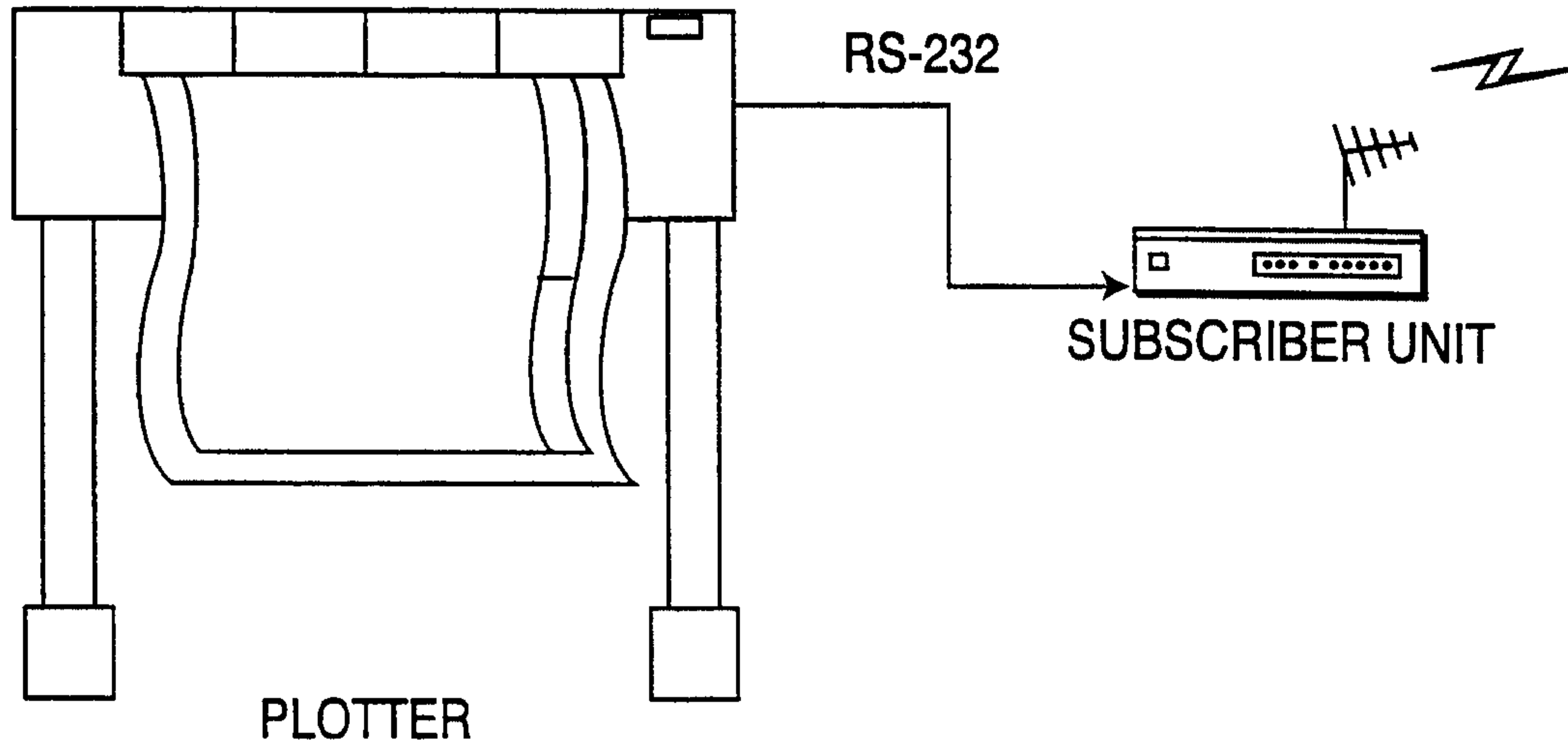
**FIG. 2B**



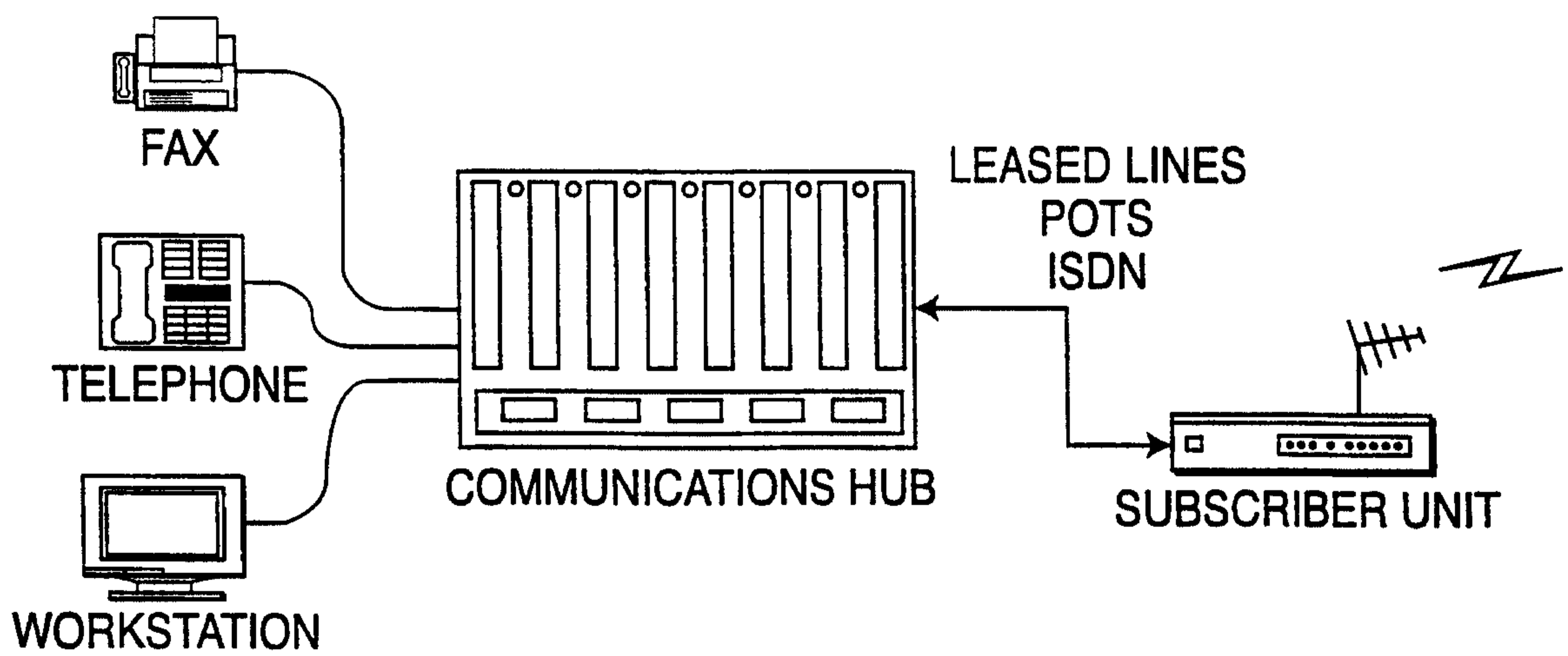
PACKET TERMINAL

**FIG. 2C**

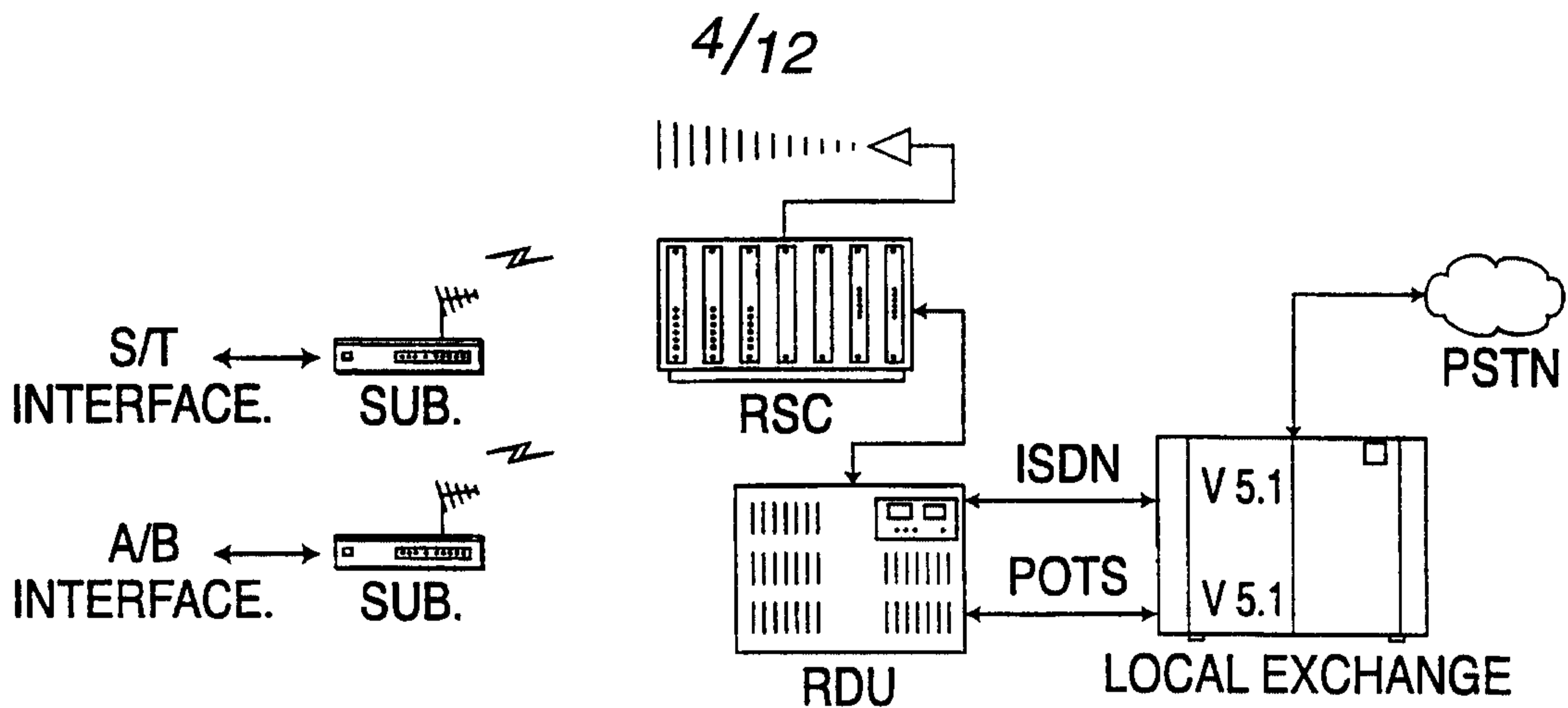
3/12



WIDEBAND CONNECTION  
**FIG. 2D**

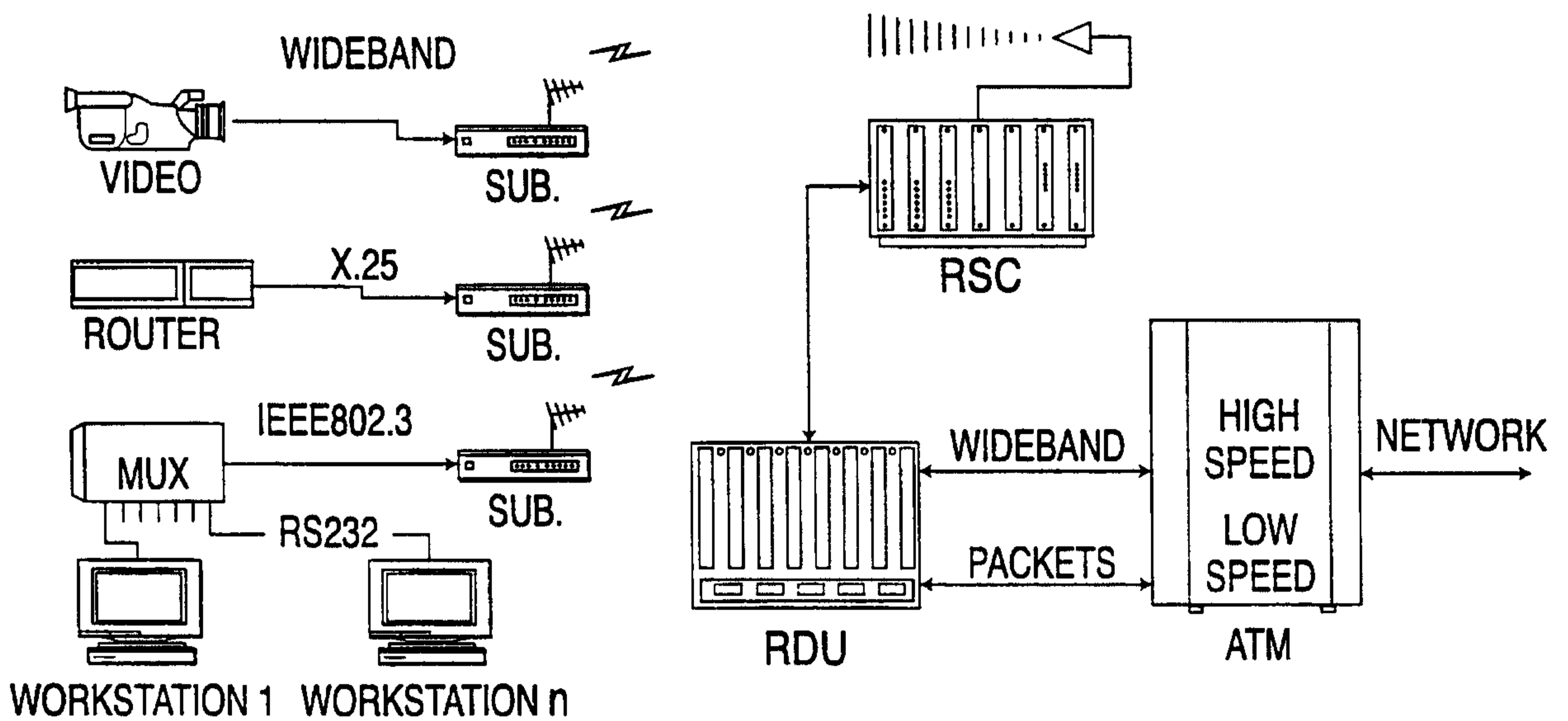


LEASED LINE TERMINAL INTERFACES  
**FIG. 2E**



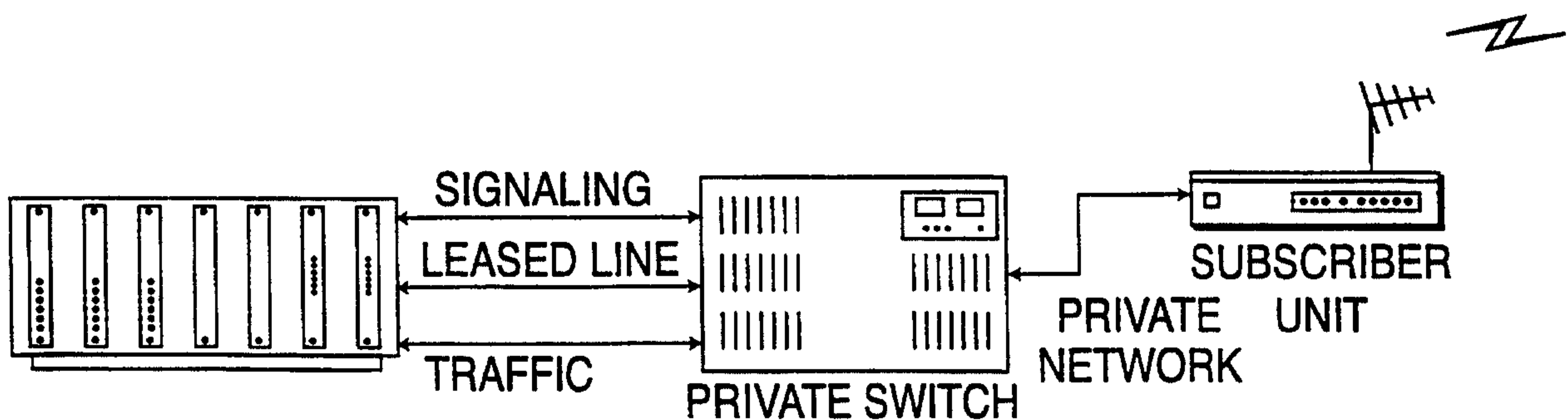
ISDN AND POTS NETWORK INTERFACE

**FIG. 2F**



WIDEBAND AND PACKET NETWORK INTERFACE

**FIG. 2G**



LEASED LINE NETWORK INTERFACE

**FIG. 2H**



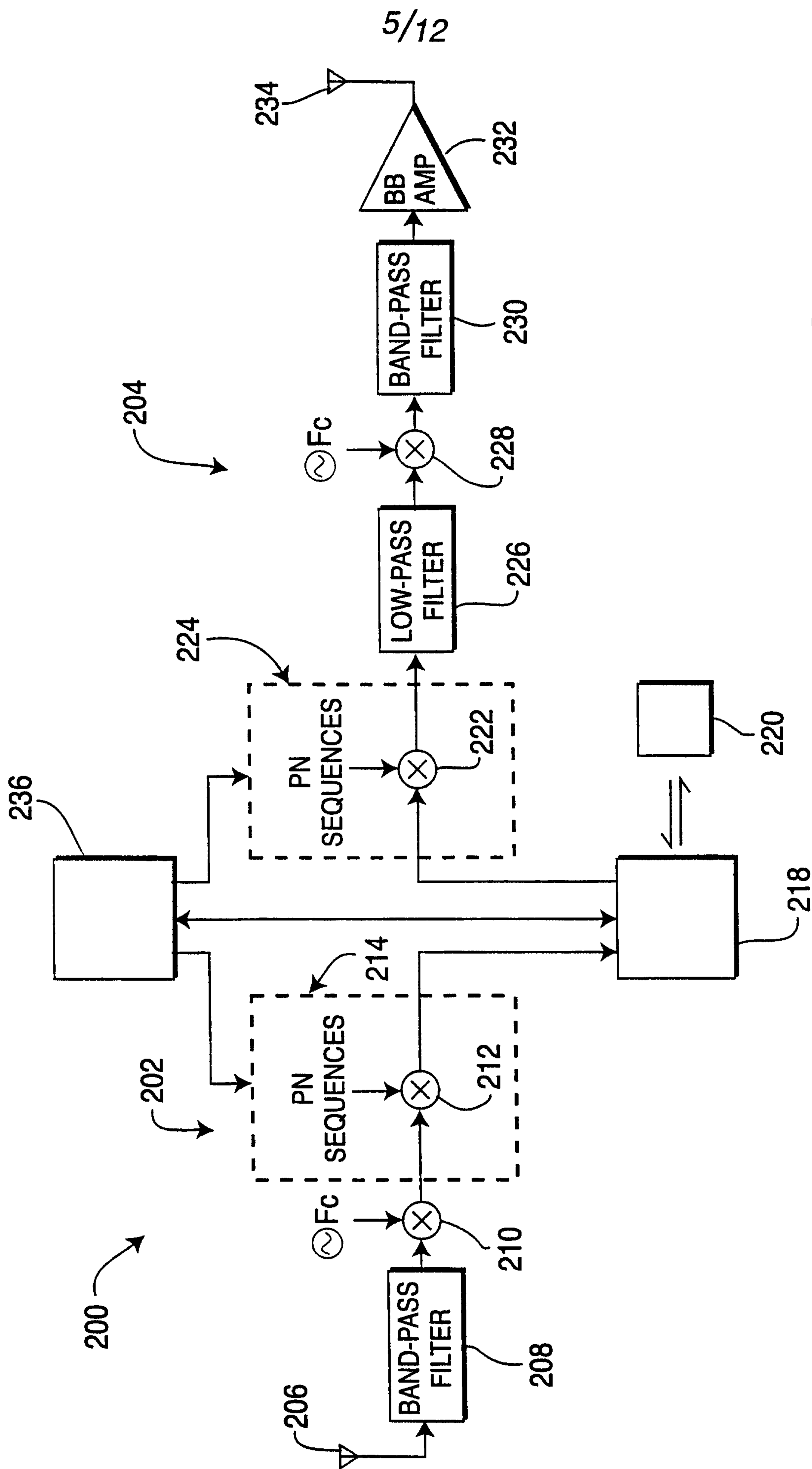


FIG. 3

6/12

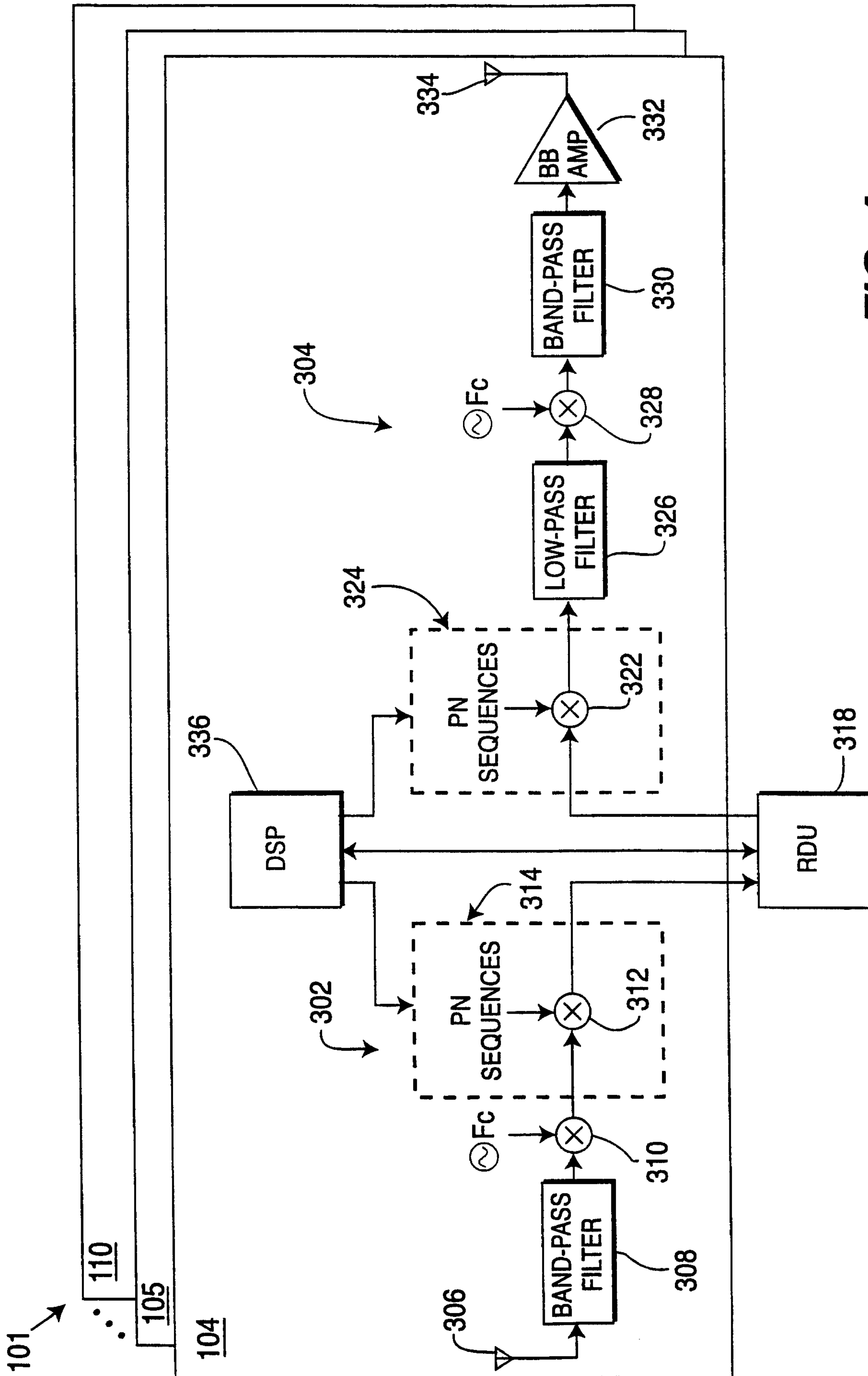
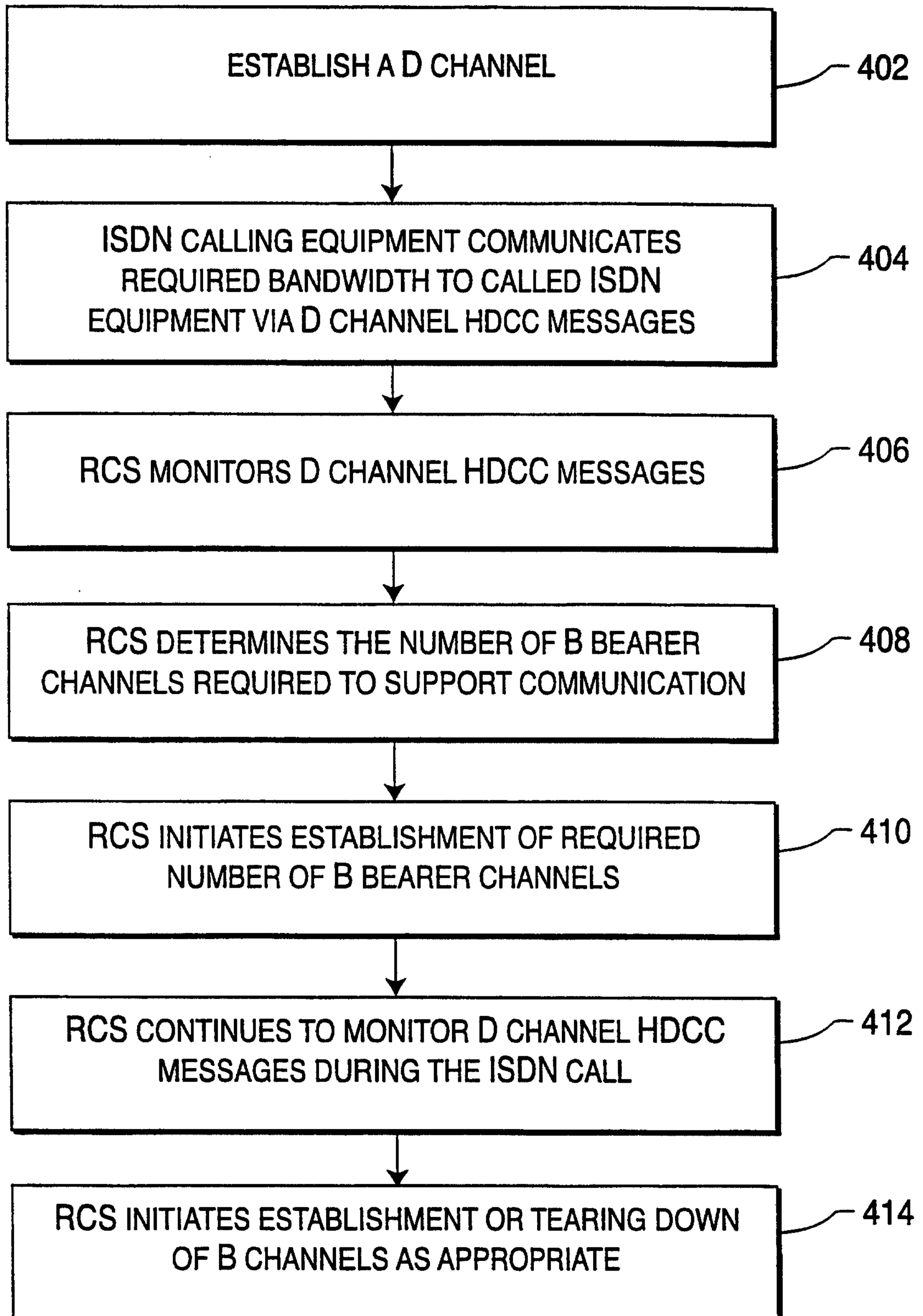
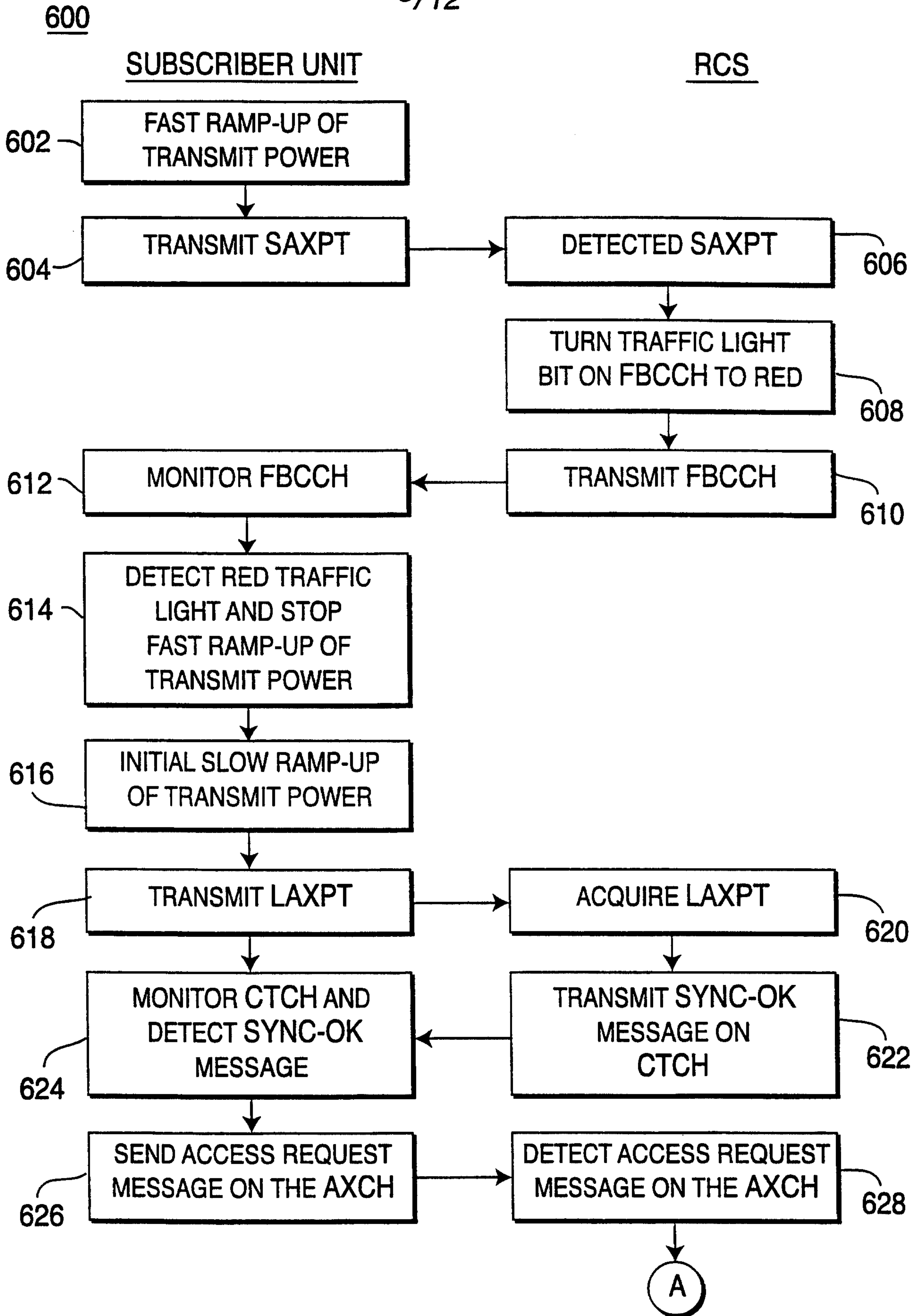


FIG. 4

7/12

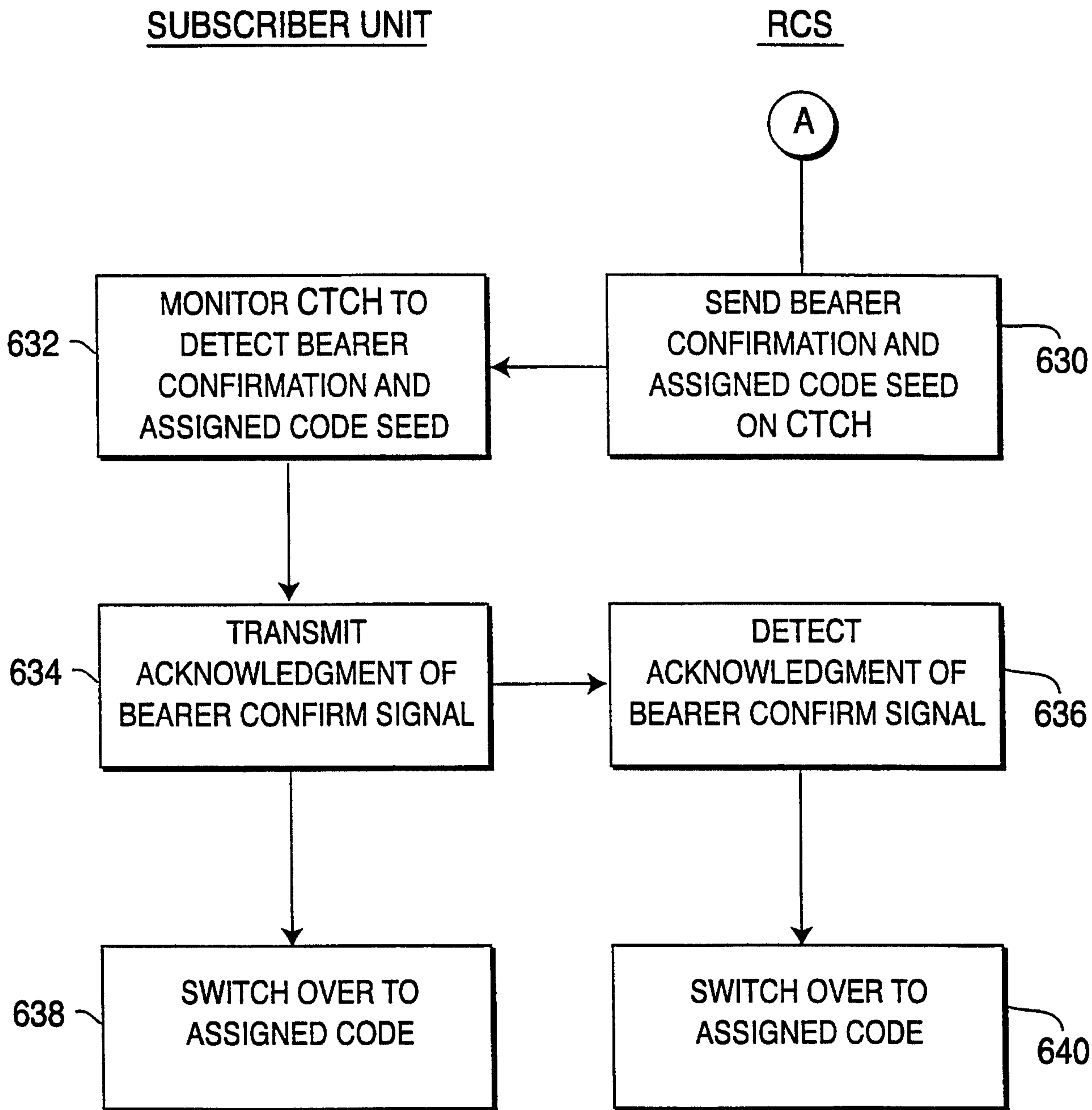
400**FIG. 5**

8/12

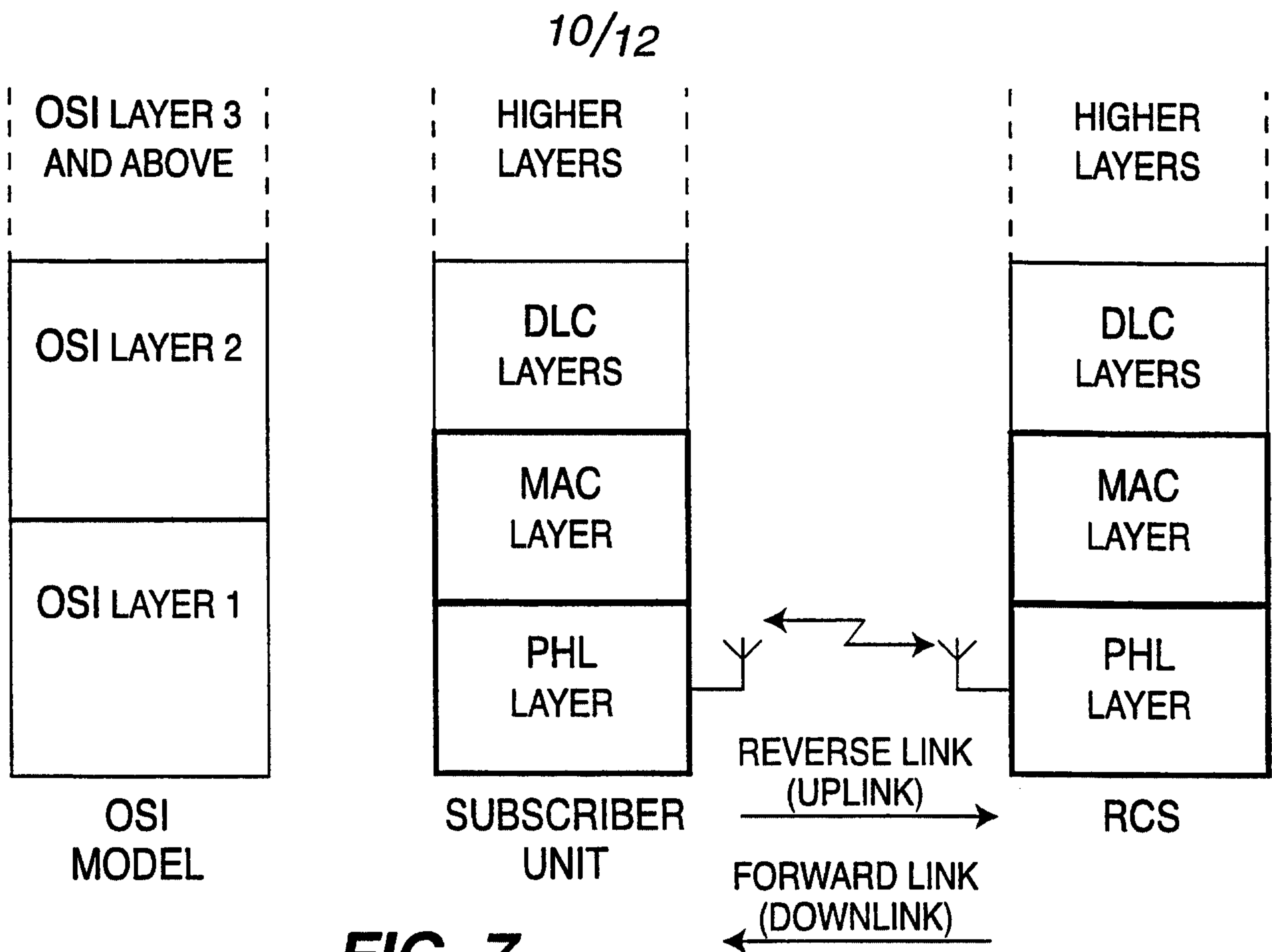


**FIG. 6A**

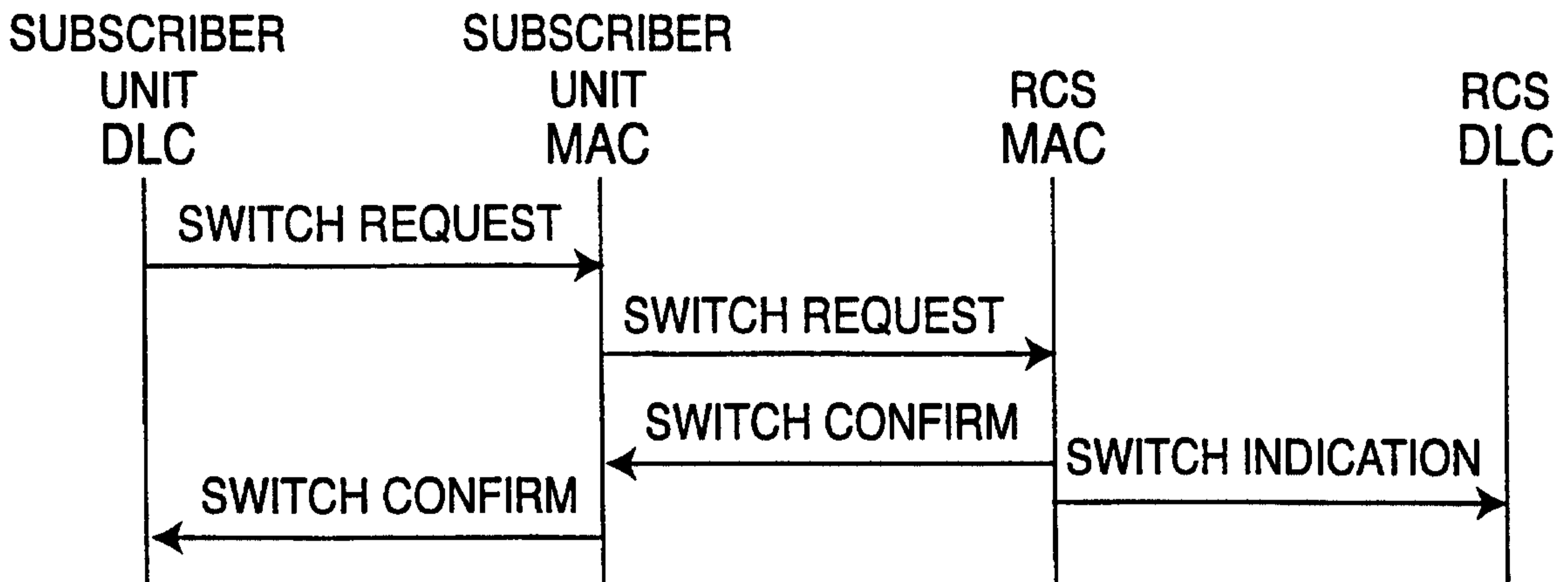
9/12



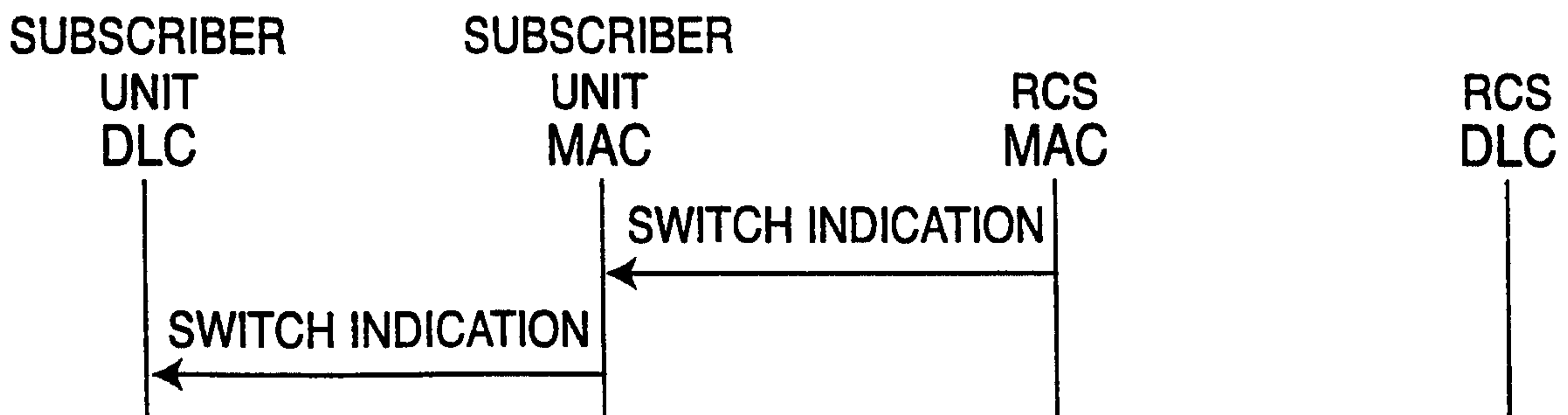
**FIG. 6B**



**FIG. 7**

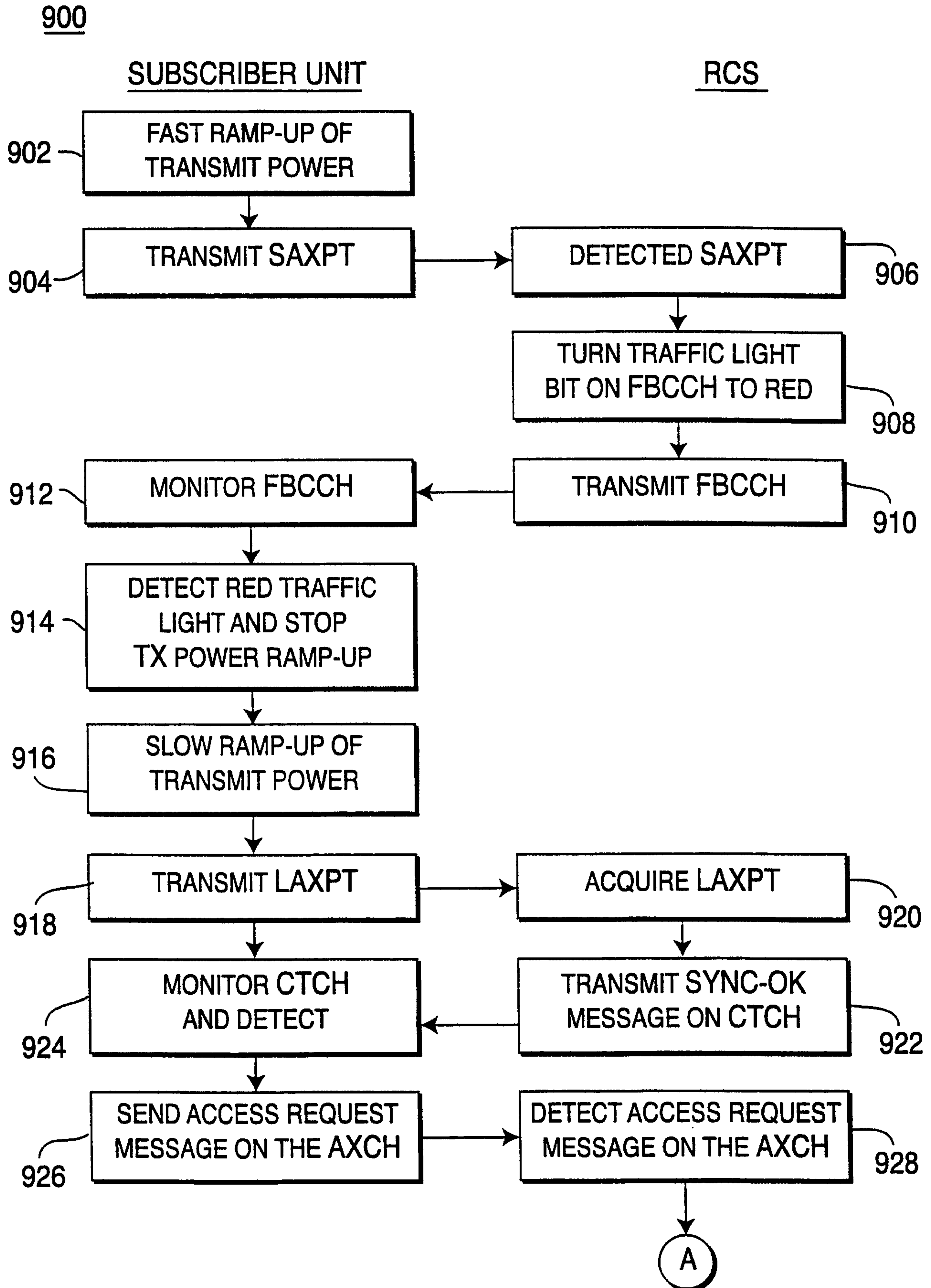


**FIG. 8A**



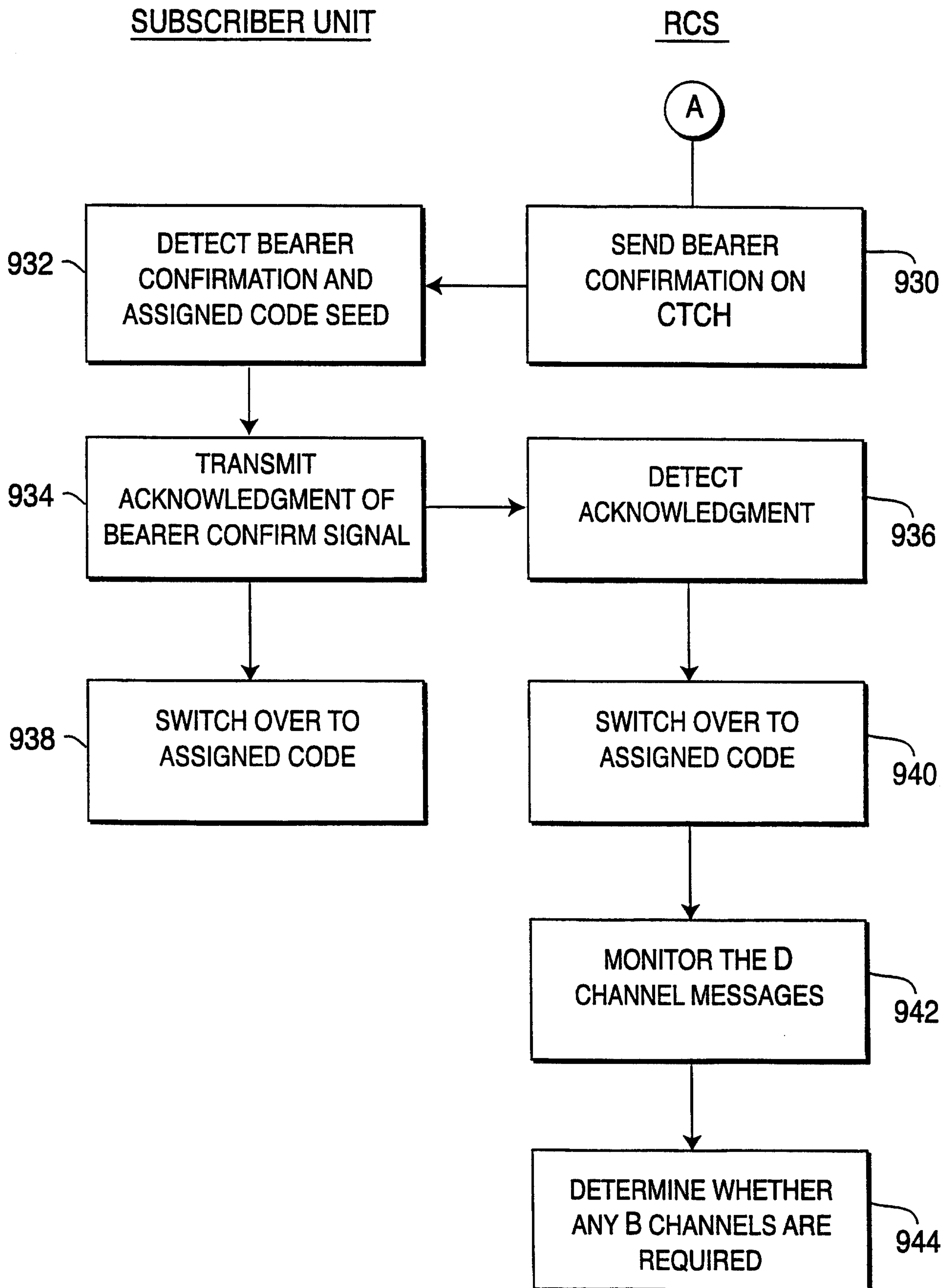
**FIG. 8B**

11/12



**FIG. 9A**

12/12



**FIG. 9B**