



US00D808232S

(12) **United States Design Patent**
Liu

(10) **Patent No.:** **US D808,232 S**

(45) **Date of Patent:** **** Jan. 23, 2018**

- (54) **DESERT FORK**
- (71) Applicant: **JiJun Liu**, Sacramento, CA (US)
- (72) Inventor: **JiJun Liu**, Sacramento, CA (US)
- (73) Assignee: **JiJun Liu**, Sacramento, CA (US)
- (**) Term: **15 Years**
- (21) Appl. No.: **29/620,430**
- (22) Filed: **Dec. 7, 2016**
- (51) **LOC (11) Cl.** **07-03**
- (52) **U.S. Cl.**
USPC **D7/653; D7/643**
- (58) **Field of Classification Search**
USPC D7/368, 401.2, 642-645, 653-664, 669,
D7/675-677, 683, 688-689, 691;
D8/107, 300-301; D21/576, 606-609,
D21/625-627; D22/117-118
CPC ... A01D 9/02; A01D 9/04; A01D 9/06; A47G
21/00; A47G 21/004; A47G 21/005;
A47G 21/02; A47G 21/023; A47G 21/04;
A47G 21/06; A47G 21/08; A47J 43/28;
A47J 43/281; A47J 43/282; A47J 43/284;
A61F 13/10; A61J 7/0023; B25G 1/00;
B25G 1/01; B25G 1/02; B25G 3/00;
B65D 75/56; B65D 75/563; B65D
75/566; B67B 7/00; B67B 7/24; B67B
7/724; B67B 7/73
See application file for complete search history.

1,699,248 A *	1/1929	Pasal	A47G 21/02
			30/148
D93,956 S *	11/1934	Wilson	30/150
2,473,288 A *	6/1949	McNeill	A47G 21/02
			30/147
D169,830 S *	6/1953	St. Clair	30/321
4,338,338 A *	7/1982	Popkes	A47G 21/004
			426/110
4,896,423 A *	1/1990	Kinsey	A47G 21/02
			30/322
6,119,351 A *	9/2000	Vanderputt	A47G 21/02
			30/147
D761,627 S *	7/2016	Waters	D7/653
D762,089 S *	7/2016	Waters	D7/653
D778,689 S *	2/2017	Grewal	D7/642
2008/0201959 A1 *	8/2008	Kent	A47G 21/02
			30/147

* cited by examiner

Primary Examiner — Ricky Pham

(57) **CLAIM**

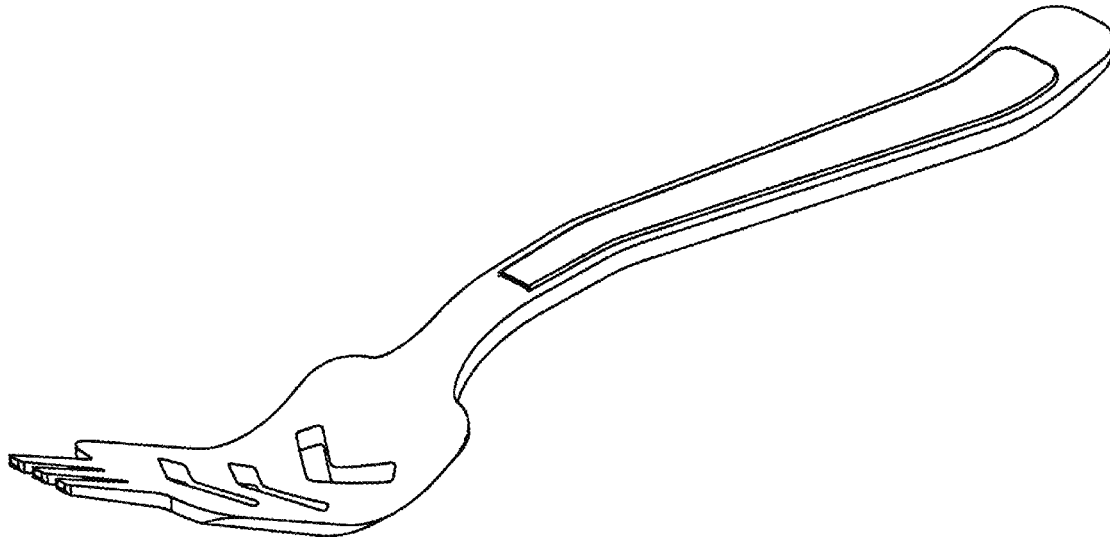
The ornamental design for a desert fork, as shown and described.

DESCRIPTION

FIG. 1 is a side view of the dessert fork showing my new design, the opposite side view being a mirror image thereof. FIG. 2 is a top plan view of the dessert fork with chevron pattern. FIG. 3 is a bottom plan view of the dessert fork with chevron slot pattern. FIG. 4 is an enlarged front view of the dessert fork with chevron slot pattern. FIG. 5 is an enlarged rear view of the dessert fork with chevron slot pattern; and, FIG. 6 is a perspective view of the dessert fork chevron slot pattern.

1 Claim, 6 Drawing Sheets

- (56) **References Cited**
U.S. PATENT DOCUMENTS
202,757 A * 4/1878 Reese A47G 21/06
30/147
D58,881 S * 9/1921 Canellas 30/150



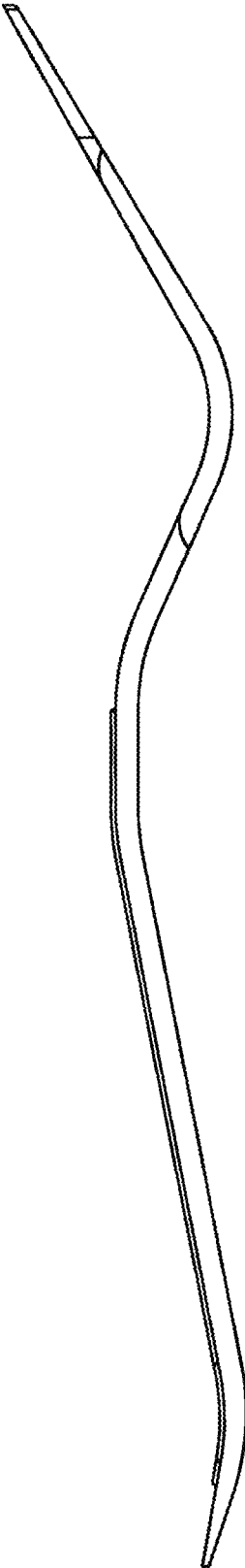


FIG. 1

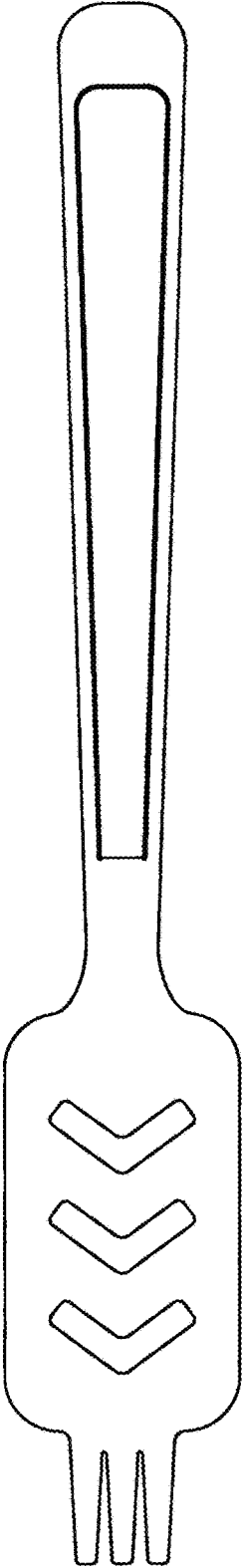


FIG. 2

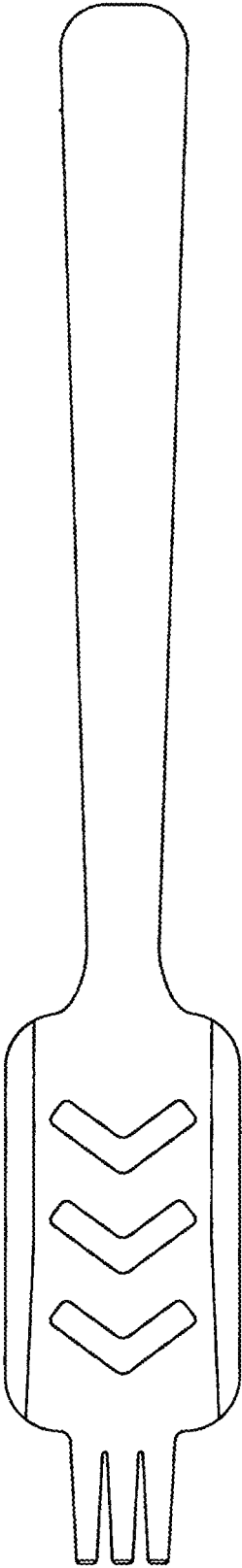


FIG. 3

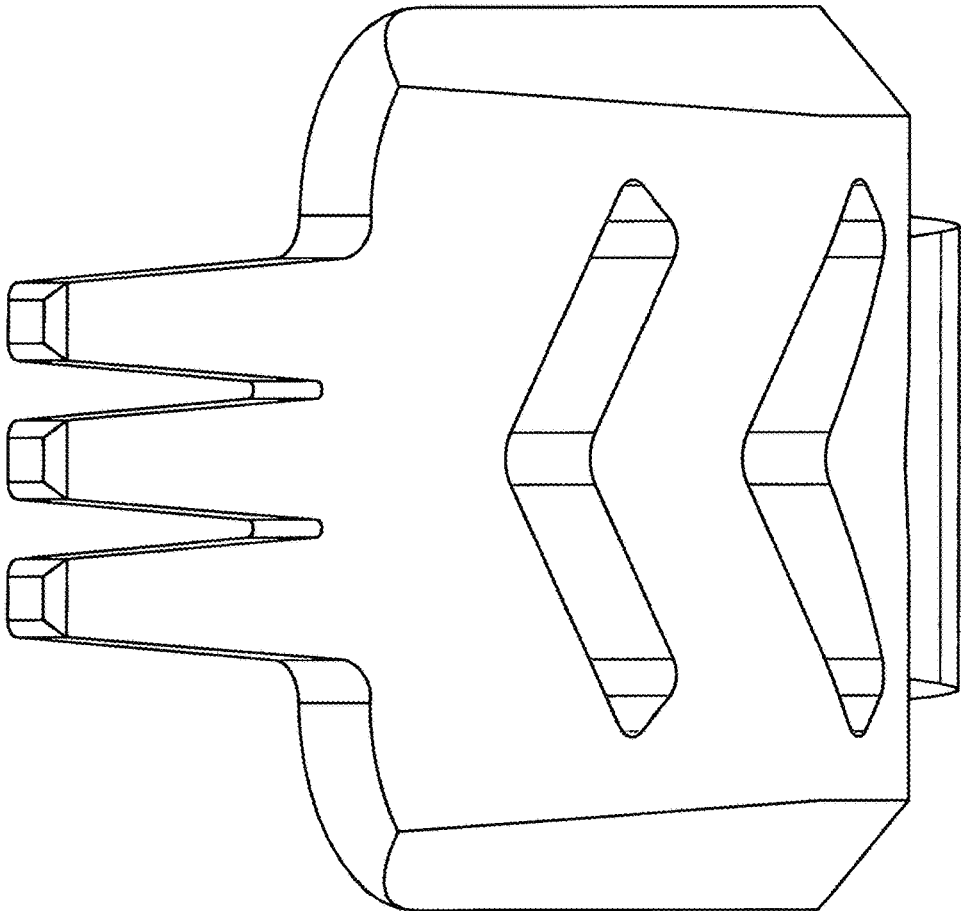


FIG. 4

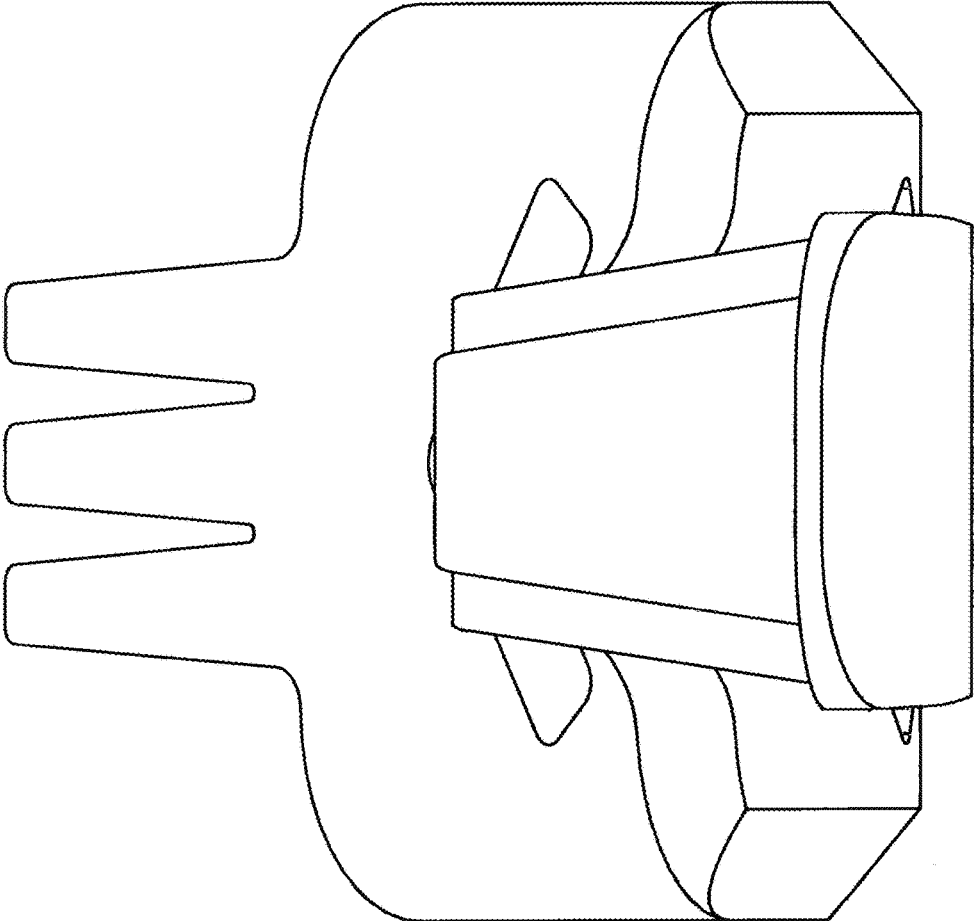


FIG. 5

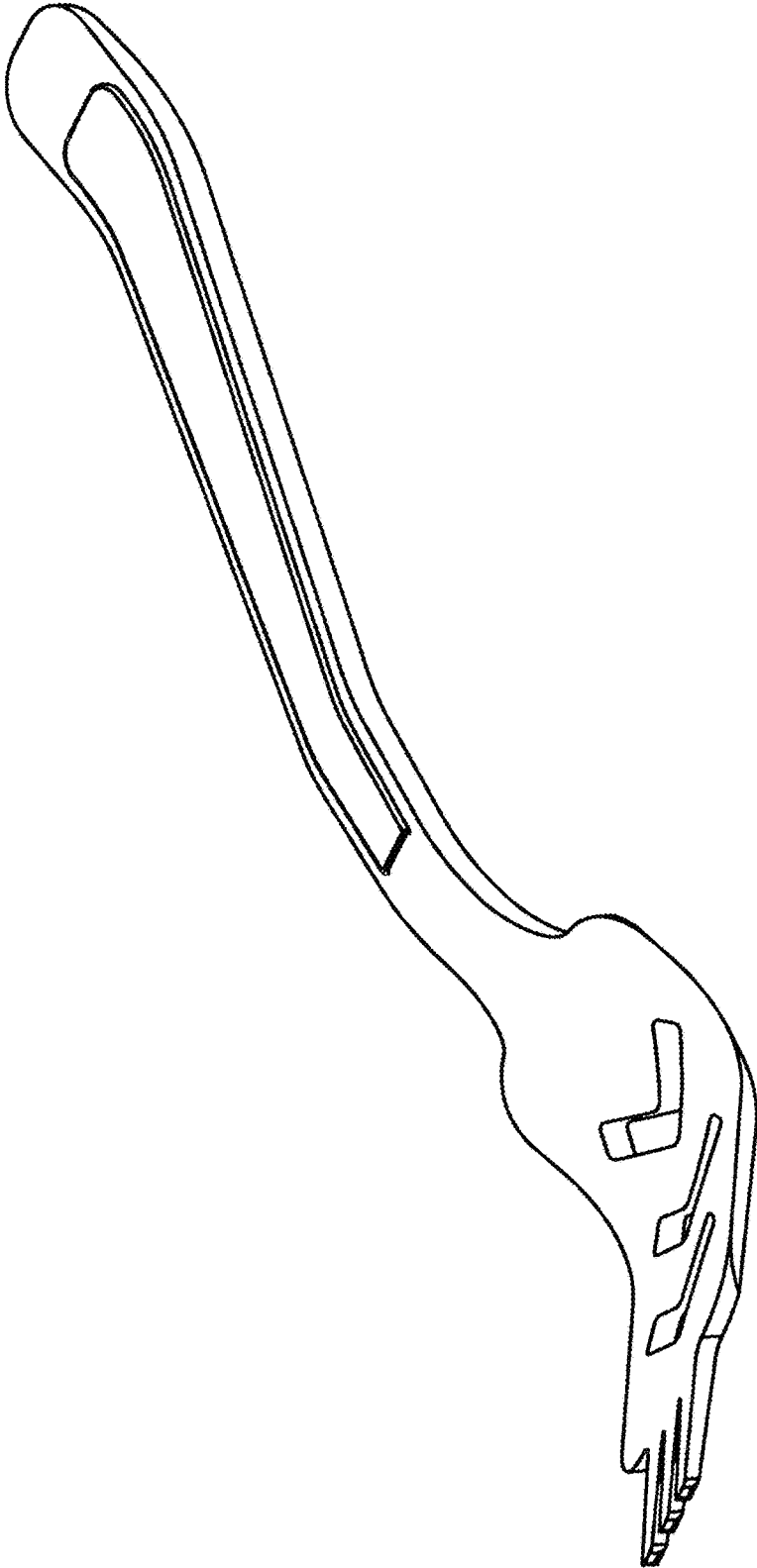


FIG. 6