



US00D714266S

(12) **United States Design Patent**
Okamura et al.

(10) **Patent No.:** **US D714,266 S**

(45) **Date of Patent:** **** Sep. 30, 2014**

(54) **MICROPHONE**

(71) Applicant: **TOA Corporation**, Kobe (JP)

(72) Inventors: **Shuichi Okamura**, Kobe (JP);
Michihiko Tokuda, Hyogo-ken (JP)

(73) Assignee: **TOA Corporation**, Hyogo-ken (JP)

(**) Term: **14 Years**

(21) Appl. No.: **29/457,236**

(22) Filed: **Jun. 7, 2013**

(51) **LOC (10) Cl.** **14-01**

(52) **U.S. Cl.**

USPC **D14/225**; D14/191

(58) **Field of Classification Search**

CPC H04R 1/08; H04R 11/04; H04R 25/04;
H04R 25/65

USPC D14/225, 155, 158, 159, 137, 185, 186,
D14/188, 191, 204, 210, 212, 214-219, 221,
D14/226, 228, 229, 240, 416; D21/329,
D21/483; D13/153, 168; 379/368, 430, 431,
379/433, 433.02, 388, 419, 420, 428, 440,
379/441, 442, 426, 454, 455; 381/91, 122,
381/355, 357, 358, 163, 191, 153, 157, 161,
381/361; 455/77, 78, 90, 90.1, 90.3, 550,
455/151.1, 158.2, 575, 575.1, 575.2, 575.8;
446/410, 454; 181/158, 242;
D10/106.1

See application file for complete search history.

(56) **References Cited**

U.S. PATENT DOCUMENTS

D197,466 S * 2/1964 Spilman D14/225
4,100,653 A * 7/1978 Sensabaugh 24/3.11
D351,391 S * 10/1994 Martin D14/225
5,701,355 A * 12/1997 Brannan et al. 381/361
D424,626 S * 5/2000 Goto D21/329
D490,069 S * 5/2004 Lee D14/188
D495,303 S * 8/2004 Coullahan et al. D13/168

D496,638 S * 9/2004 Deubler, Jr. D14/138 R
D496,639 S * 9/2004 Deubler, Jr. D14/138 R
D508,028 S * 8/2005 Deubler, Jr. D14/138 R
D510,046 S * 9/2005 Li D10/106.1
D554,630 S * 11/2007 Ma D14/240

(Continued)

OTHER PUBLICATIONS

TOA Infrared Wireless Microphone (Specification). www.toaelectronics.com [online] p. 1 of 2. Posted Sep. 4, 2013 [retrieved on Jul. 17, 2014]. Retrieved from Internet: <http://www.toaelectronics.com/products/wireless-mic/specifications/ir310m-y_sale.pdf>.
*

Primary Examiner — Susan Bennett Hattan

Assistant Examiner — Marie Fast Horse

(74) *Attorney, Agent, or Firm* — Patterson Thuent Pedersen, P.A.

(57) **CLAIM**

The ornamental design for a microphone, as shown and described.

DESCRIPTION

FIG. 1 is a front, top, and right side isometric view of a microphone depicting our new design;

FIG. 2 is a rear, bottom, and left side isometric view of the microphone depicted in FIG. 1;

FIG. 3 is a front elevation view of the microphone depicted in FIG. 1;

FIG. 4 is a rear elevation view of the microphone depicted in FIG. 1;

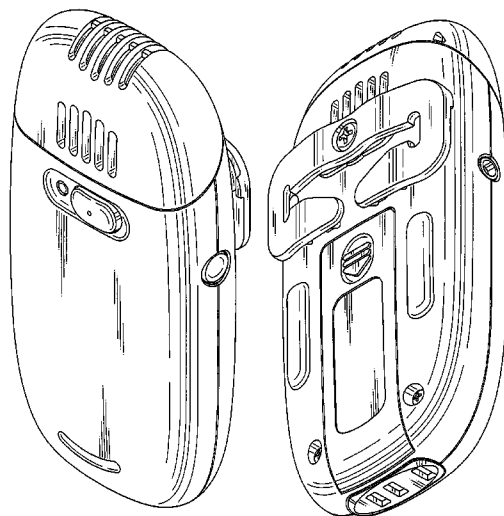
FIG. 5 is a top plan view of the microphone depicted in FIG. 1;

FIG. 6 is a bottom plan view of the microphone depicted in FIG. 1;

FIG. 7 is a right side elevation view of the microphone depicted in FIG. 1; and,

FIG. 8 is a left side elevation view of the microphone depicted in FIG. 1.

1 Claim, 8 Drawing Sheets



(56)

References Cited

U.S. PATENT DOCUMENTS

D554,631	S	*	11/2007	Ma	D14/240
D561,703	S	*	2/2008	Shimokawa et al.	D13/168
D561,730	S	*	2/2008	Deubler et al.	D14/138 AA
D610,107	S	*	2/2010	Duarte et al.	D14/138 AD
D619,125	S	*	7/2010	Kung	D14/225
D622,685	S	*	8/2010	Garra et al.	D14/137
D632,269	S	*	2/2011	Garra et al.	D14/137
D651,584	S	*	1/2012	Massee et al.	D14/159
D667,382	S	*	9/2012	Cosentino et al.	D13/168
D668,239	S	*	10/2012	Marsh	D14/159
D674,786	S	*	1/2013	Park	D14/240
D696,223	S	*	12/2013	Will et al.	D14/155
2004/0224717	A1	*	11/2004	Hertzberg et al.	455/550.1
2004/0264688	A1	*	12/2004	Hampton et al.	379/433.02

* cited by examiner

Fig. 1

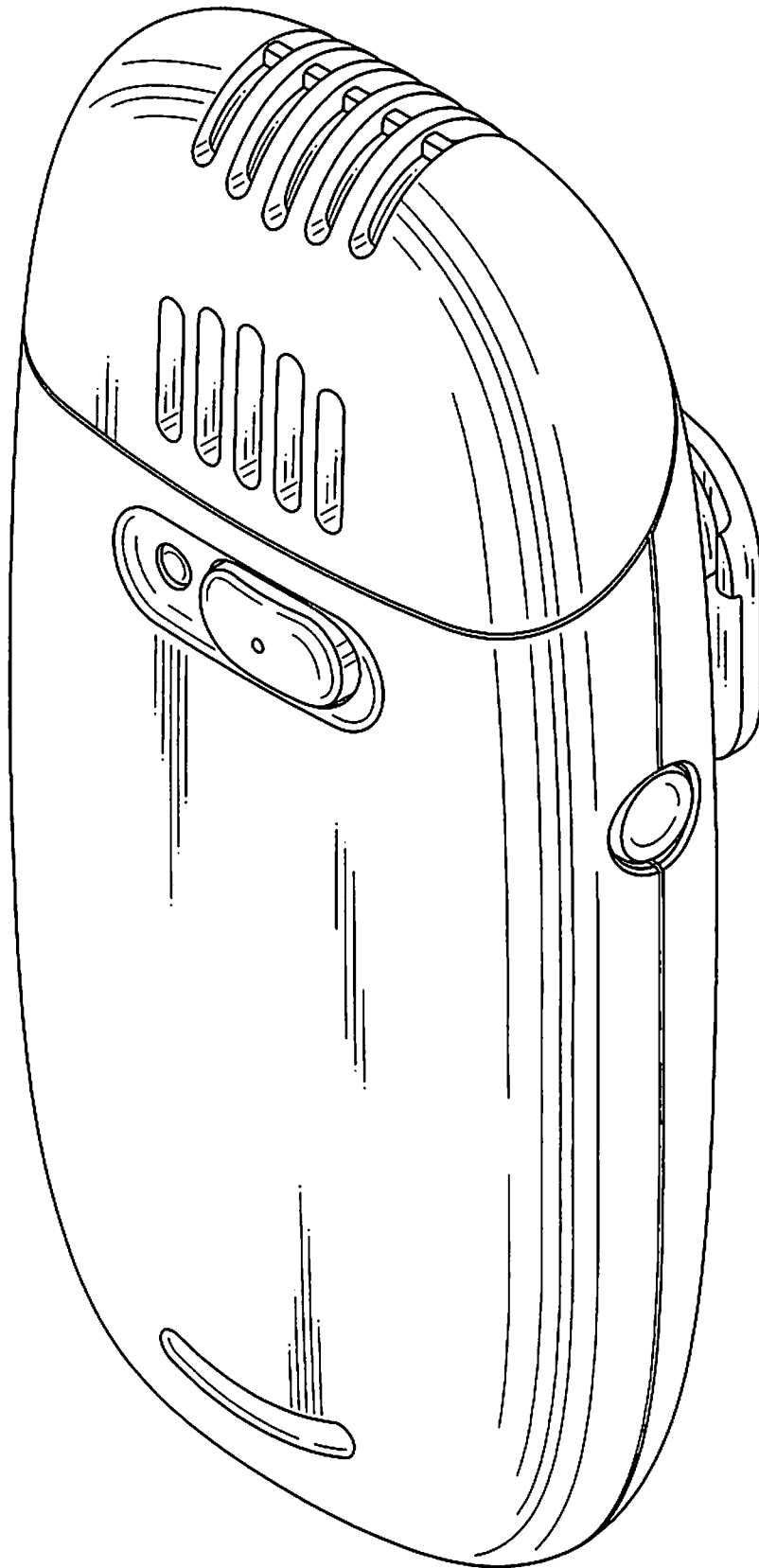


Fig. 2

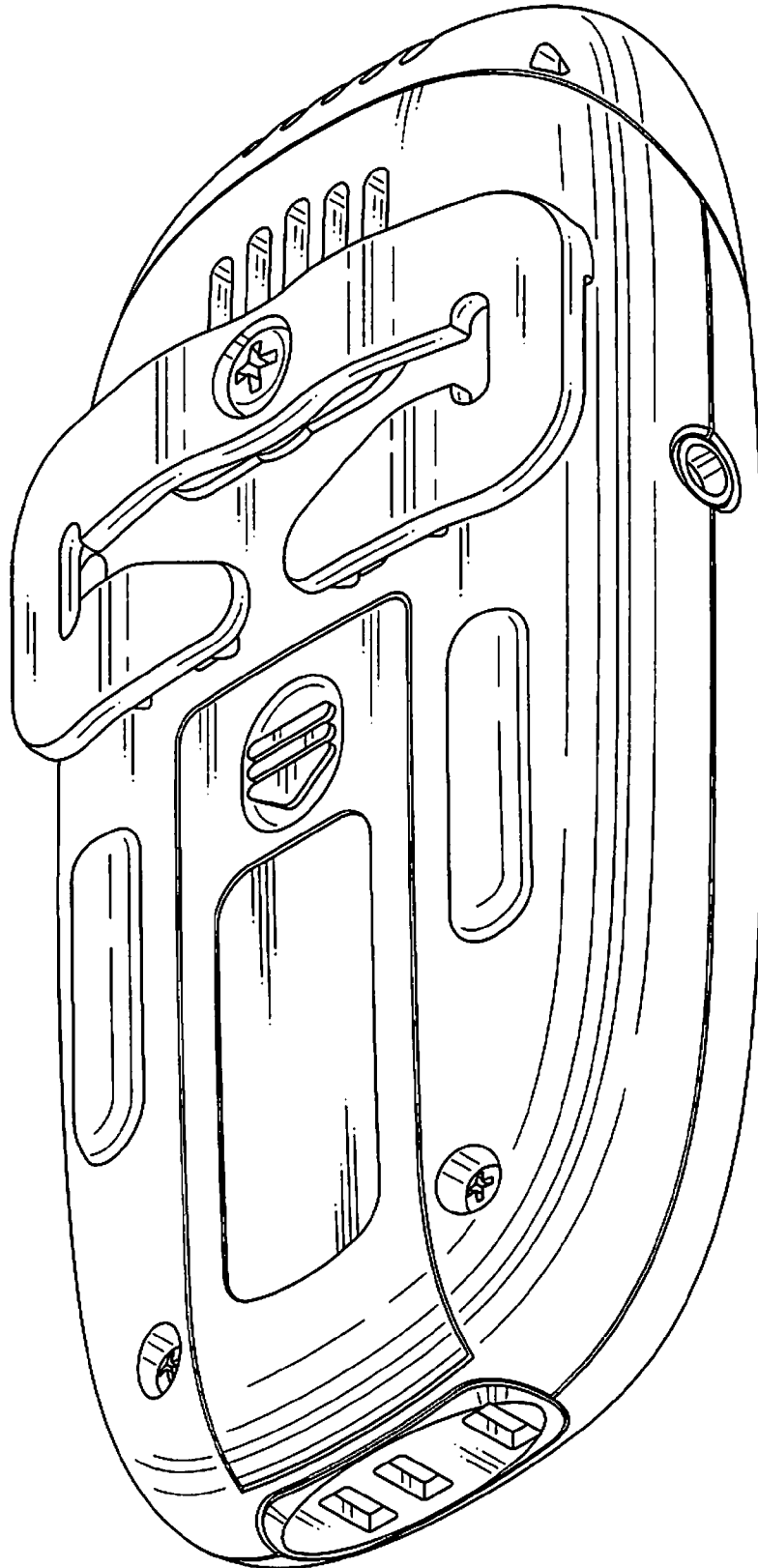


Fig. 3

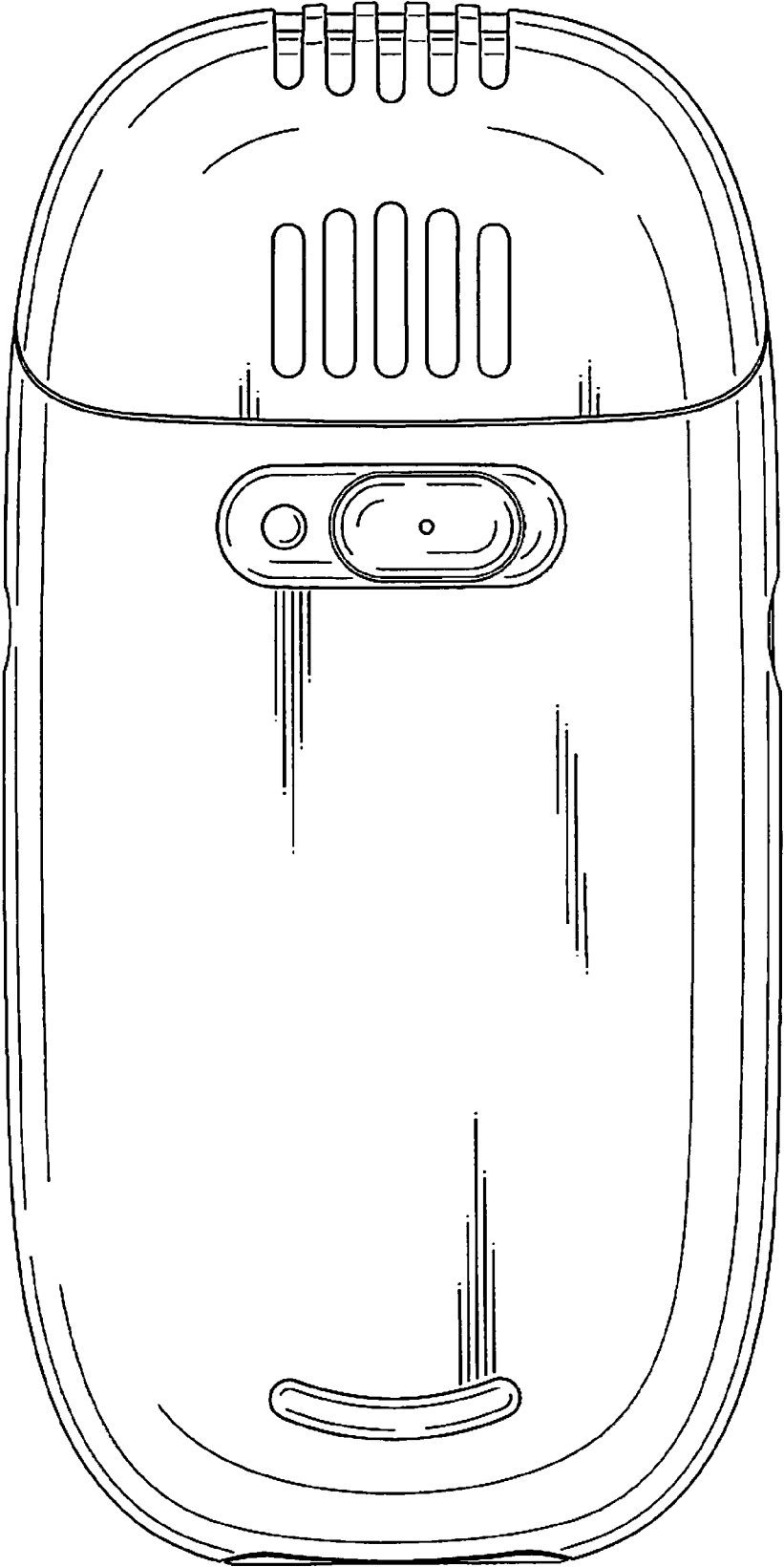


Fig. 4

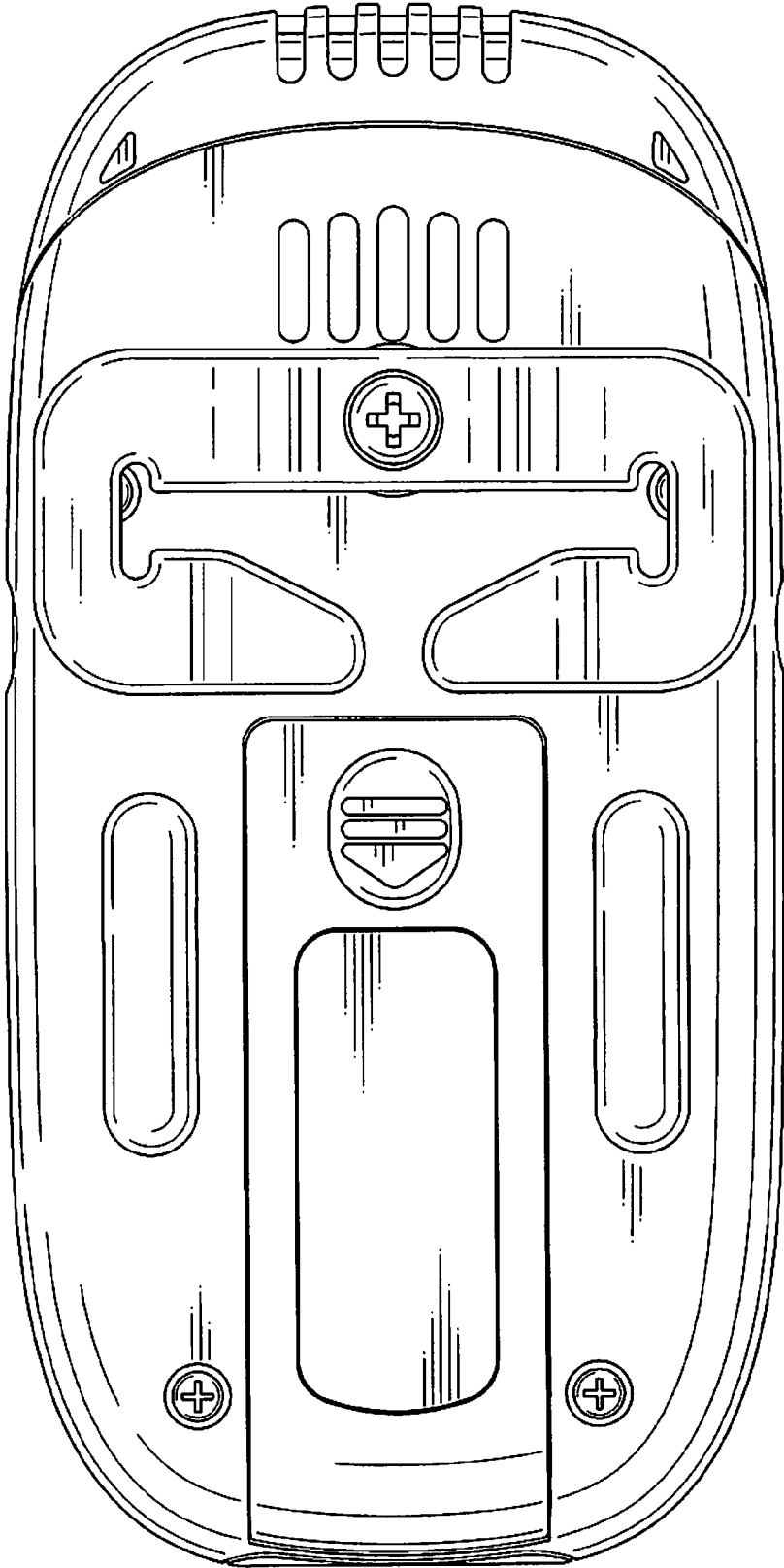


Fig. 5

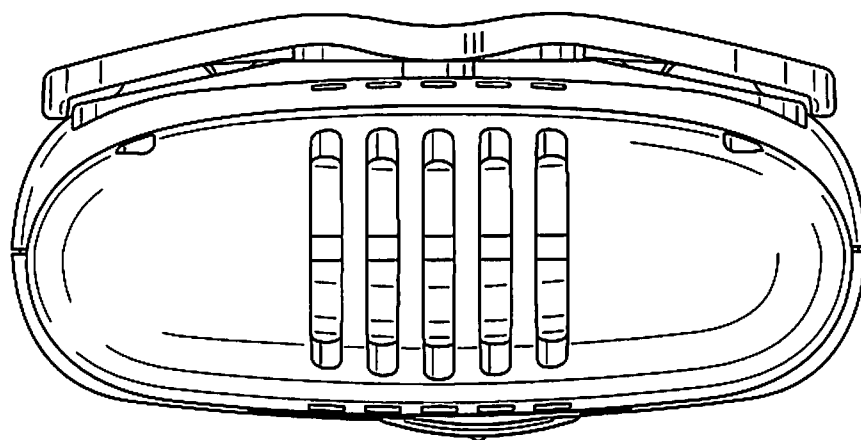


Fig. 6

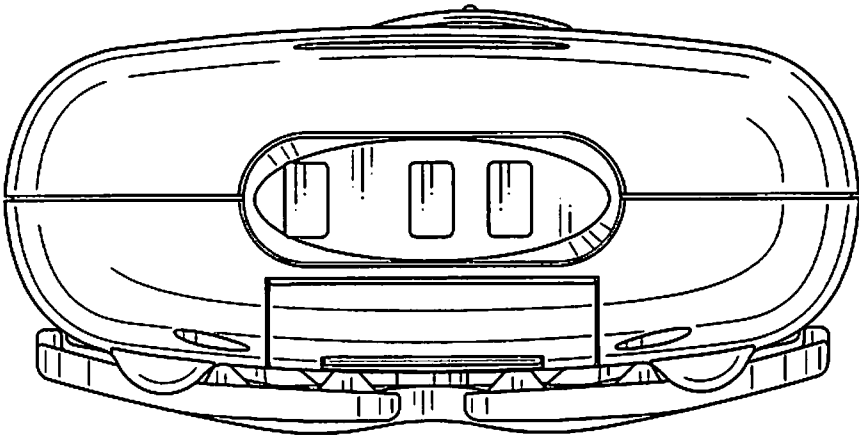


Fig. 7

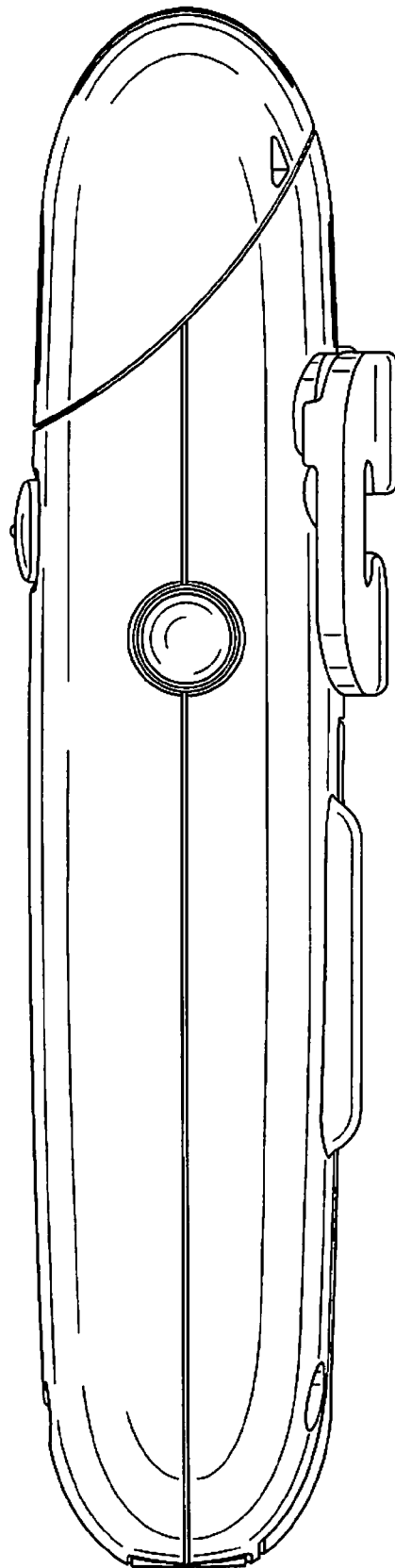


Fig. 8

