



US00D744147S

(12) **United States Design Patent**  
**Ehrler et al.**

(10) **Patent No.:** **US D744,147 S**

(45) **Date of Patent:** **\*\* \*Nov. 24, 2015**

(54) **LIGHT**

(71) Applicant: **R. Stahl Schaltgeräte GmbH**,  
Waldenburg (DE)

(72) Inventors: **Uwe Ehrler**, Künzelsau-Amrichshausen  
(DE); **Falk Thürmer**, Künzelsau (DE)

(73) Assignee: **R. STAHL SCHALTGERÄTE**  
**GMBH**, Waldenburg (DE)

(\* ) Notice: This patent is subject to a terminal disclaimer.

(\*\*) Term: **14 Years**

(21) Appl. No.: **29/486,432**

(22) Filed: **Mar. 28, 2014**

(30) **Foreign Application Priority Data**

Sep. 30, 2013 (EM) ..... 002317784

(51) **LOC (10) CL.** ..... **26-03**

(52) **U.S. CL.**  
USPC ..... **D26/89**

(58) **Field of Classification Search**  
USPC ..... D26/72, 76, 80, 85, 89, 118, 128;  
362/147, 235, 311.01, 311.02, 545,  
362/546, 432

See application file for complete search history.

(56) **References Cited**

U.S. PATENT DOCUMENTS

D101,406 S \* 9/1936 Schulte ..... D26/85  
D110,165 S \* 6/1938 Arenberg ..... D26/85  
2,149,635 A \* 3/1939 Shepard et al. .... 362/490

(Continued)

*Primary Examiner* — Clare E Heflin

(74) *Attorney, Agent, or Firm* — Fitch, Even, Tabin & Flannery LLP

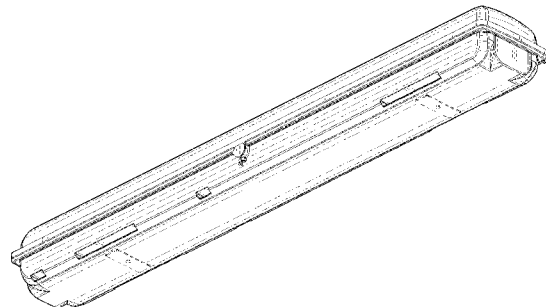
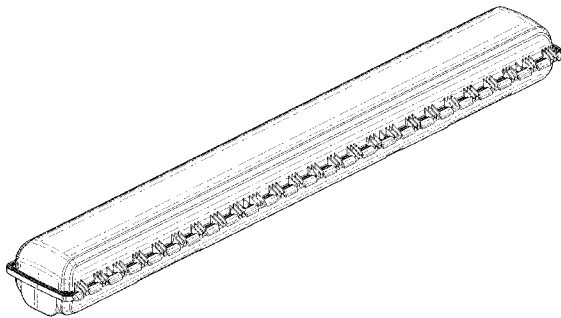
(57) **CLAIM**

We claim the ornamental design for a light, as shown and described.

**DESCRIPTION**

FIG. 1 is a top perspective view of a first embodiment of our new design comprising a light;  
FIG. 2 is a bottom perspective view of the light of FIG. 1;  
FIG. 3 is a top view of the light of FIG. 1;  
FIG. 4 is a bottom view of the light of FIG. 1;  
FIG. 5 is a front view of the light of FIG. 1;  
FIG. 6 is a back view of the light of FIG. 1;  
FIG. 7 is a right side view of the light of FIG. 1;  
FIG. 8 is a left side view of the light of FIG. 1;  
FIG. 9 is a top perspective view of a second embodiment of our new design comprising a light;  
FIG. 10 is a bottom perspective view of the light of FIG. 9;  
FIG. 11 is a top view of the light of FIG. 9;  
FIG. 12 is a bottom view of the light of FIG. 9;  
FIG. 13 is a front view of the light of FIG. 9;  
FIG. 14 is a back view of the light of FIG. 9;  
FIG. 15 is a right side view of the light of FIG. 9; and,  
FIG. 16 is a left side view of the light of FIG. 9.  
The broken lines shown in the drawings are for illustrative purposes only and form no part of the claimed design.

**1 Claim, 10 Drawing Sheets**



(56)

**References Cited**

U.S. PATENT DOCUMENTS

D127,890	S	*	6/1941	Ohm	.....	D26/76	D589,199	S	*	3/2009	Pedersen	.....	D26/85
D177,918	S	*	6/1956	Meyer	.....	D26/77	D589,638	S	*	3/2009	Collins	.....	D26/72
D180,531	S	*	6/1957	Stevens	.....	D26/128	D606,229	S	*	12/2009	Johansen et al.	.....	D26/80
D180,537	S	*	6/1957	Stevens	.....	D26/76	D649,673	S	*	11/2011	Liang et al.	.....	D26/72
D579,138	S	*	10/2008	Ghini	.....	D26/76	D650,507	S	*	12/2011	Osiecki et al.	.....	D26/72
D579,139	S	*	10/2008	Ghini	.....	D26/76	D665,524	S	*	8/2012	Bush et al.	.....	D26/76
D584,844	S	*	1/2009	Ghini	.....	D26/76	D674,529	S	*	1/2013	Hirai et al.	.....	D26/85
							D717,483	S	*	11/2014	Barnes et al.	.....	D26/72
							2011/0058367	A1	*	3/2011	Shiau et al.	.....	362/218

\* cited by examiner

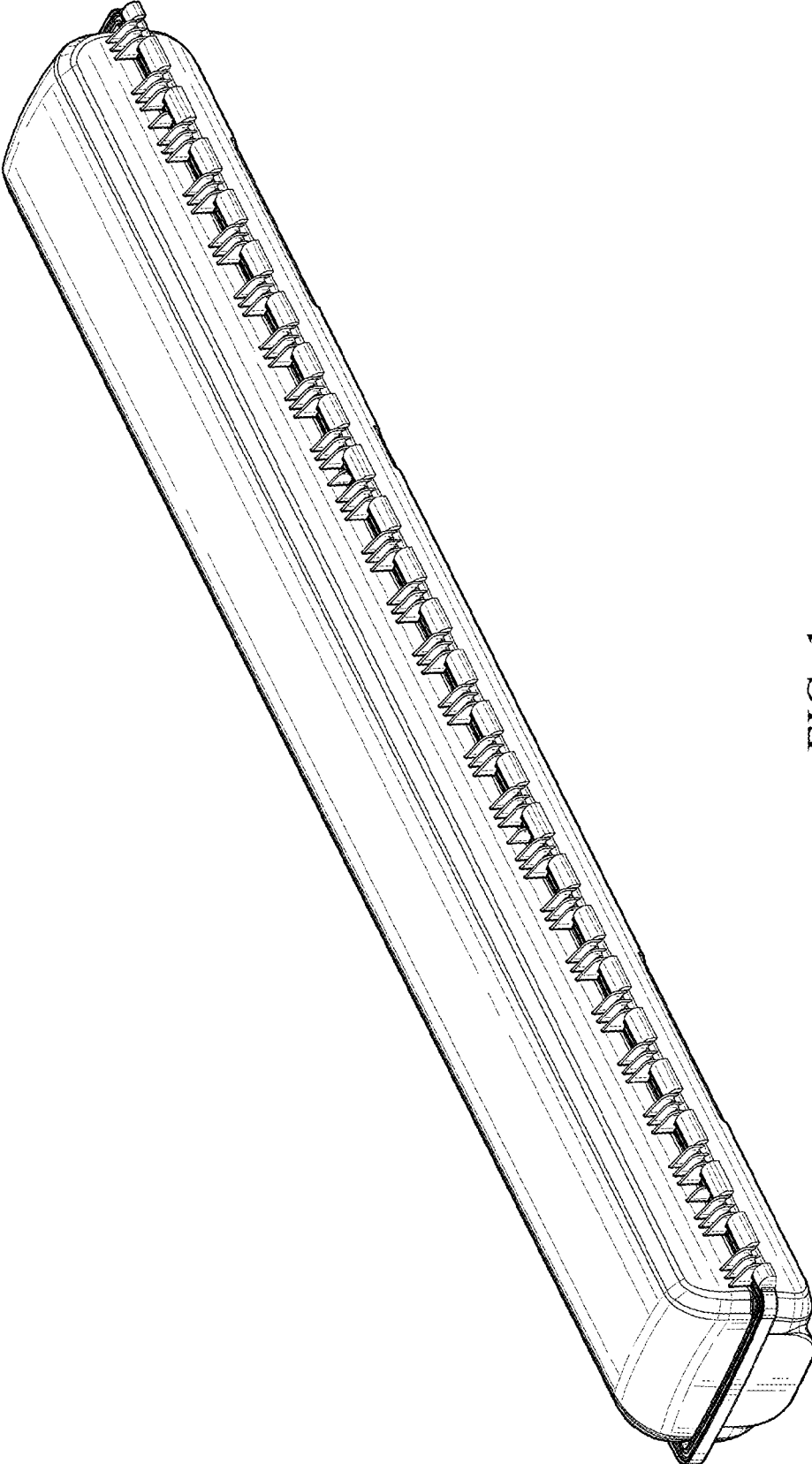


FIG. 1

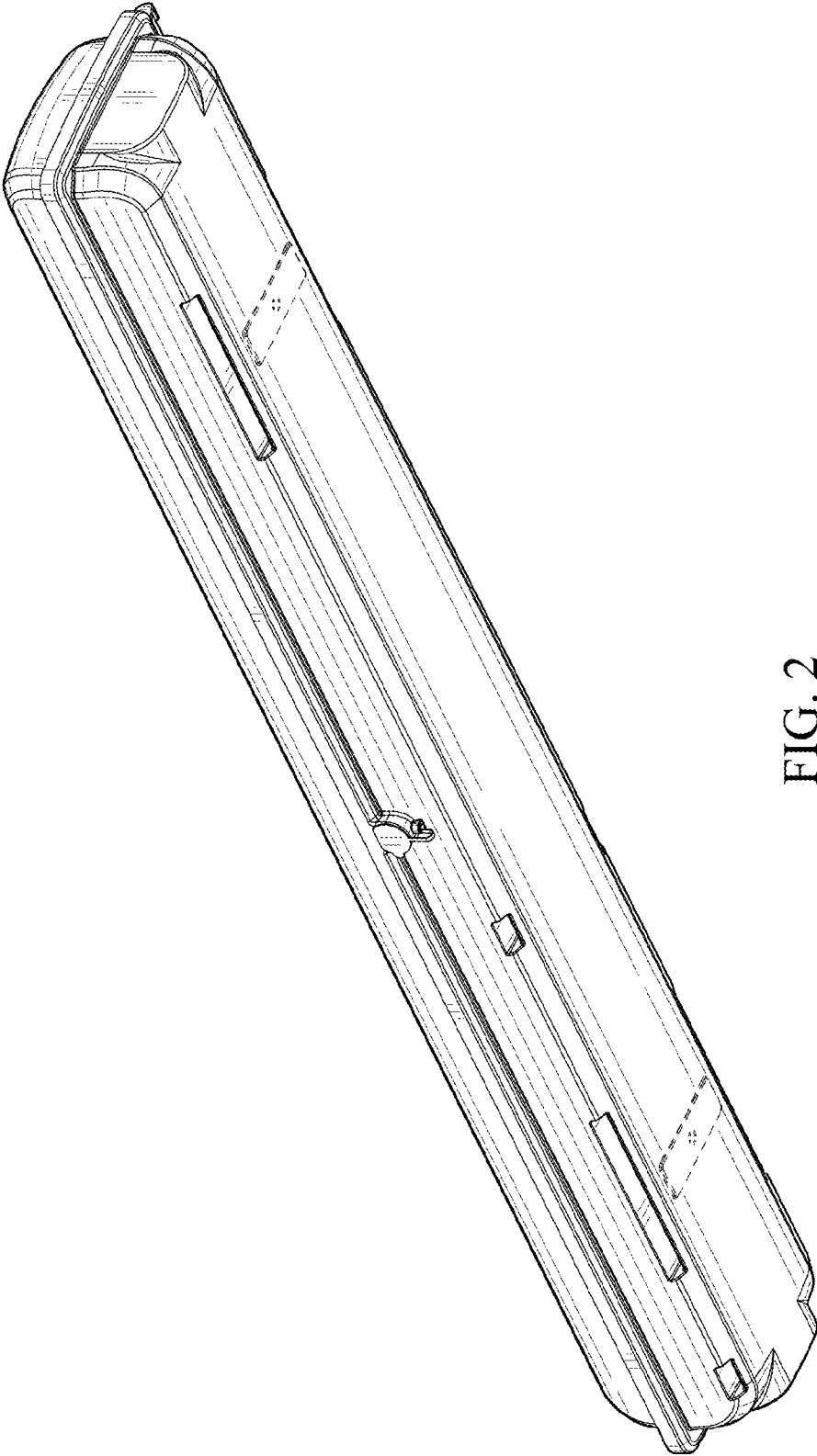


FIG. 2

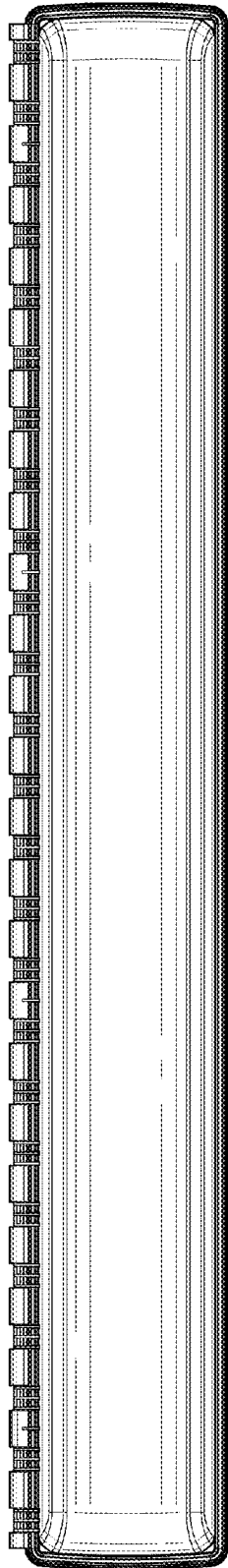


FIG. 3

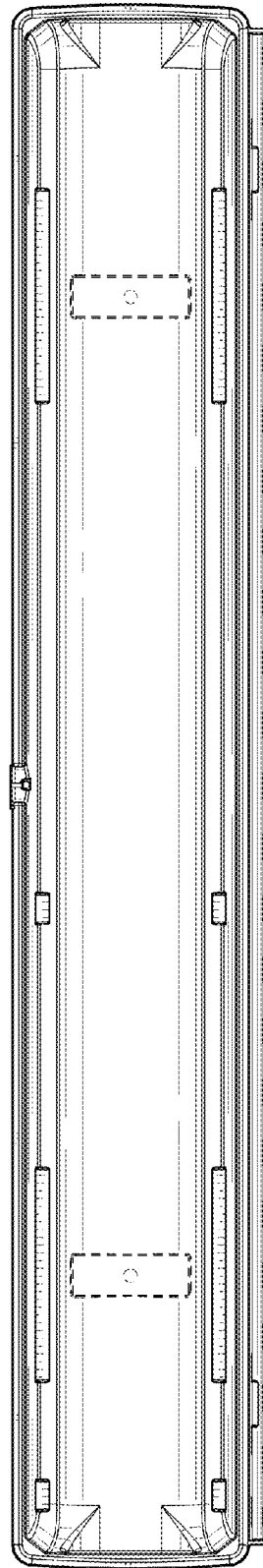


FIG. 4

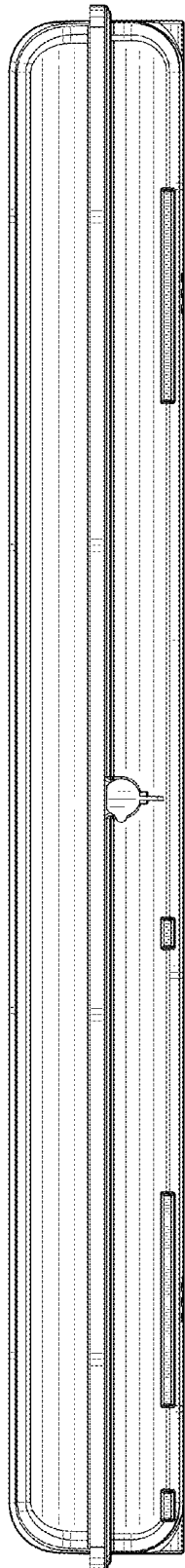


FIG. 5

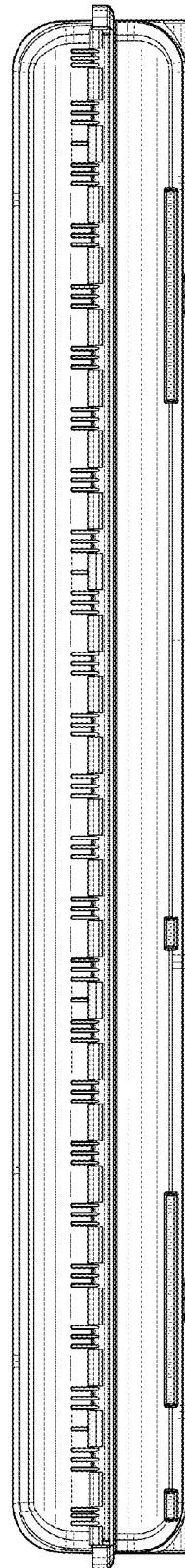


FIG. 6

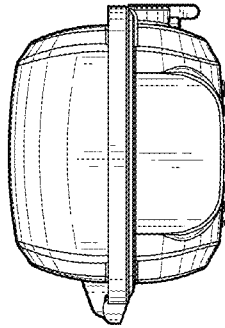


FIG. 8

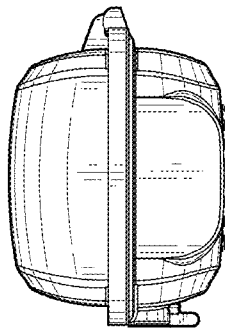


FIG. 7

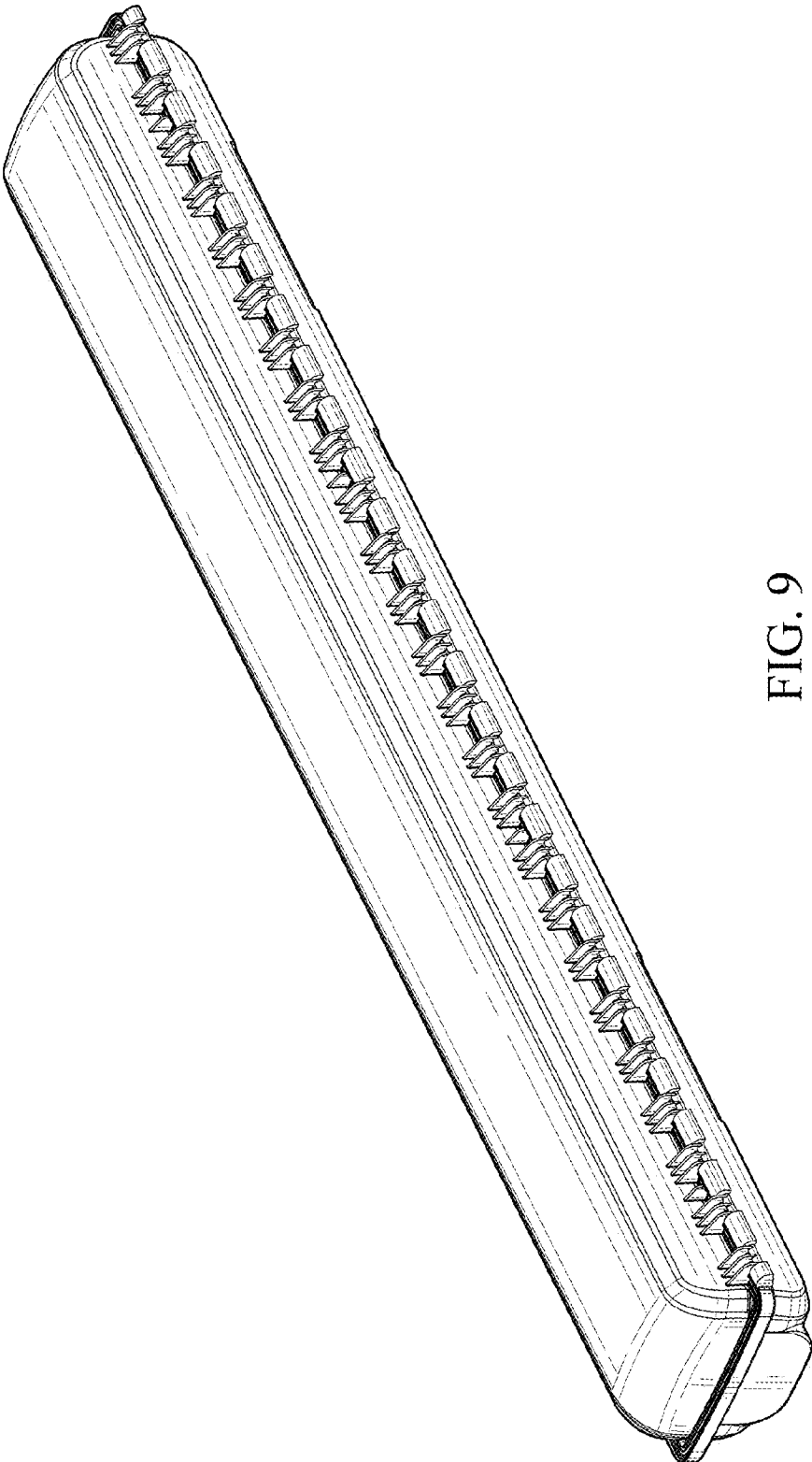


FIG. 9

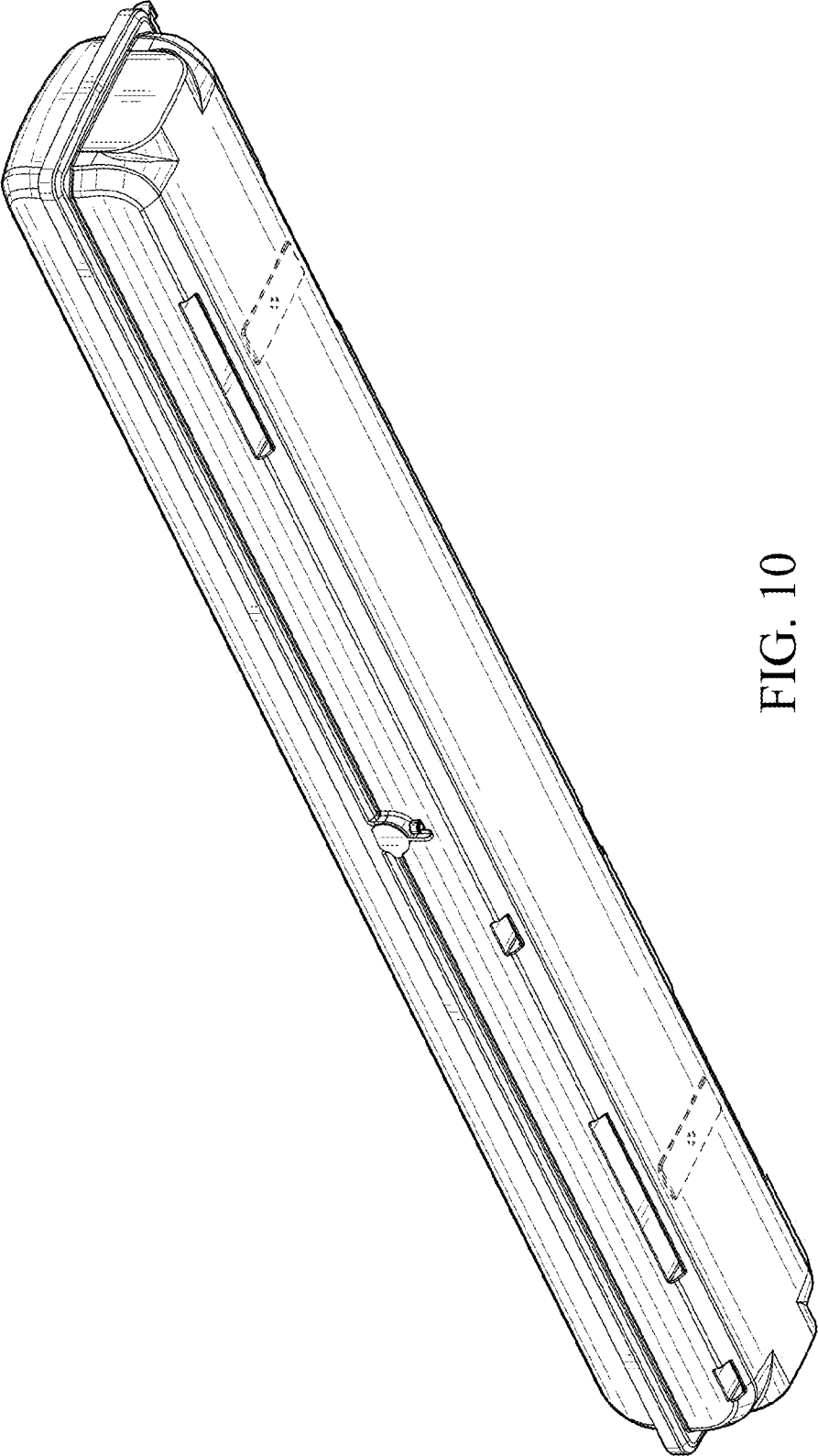


FIG. 10

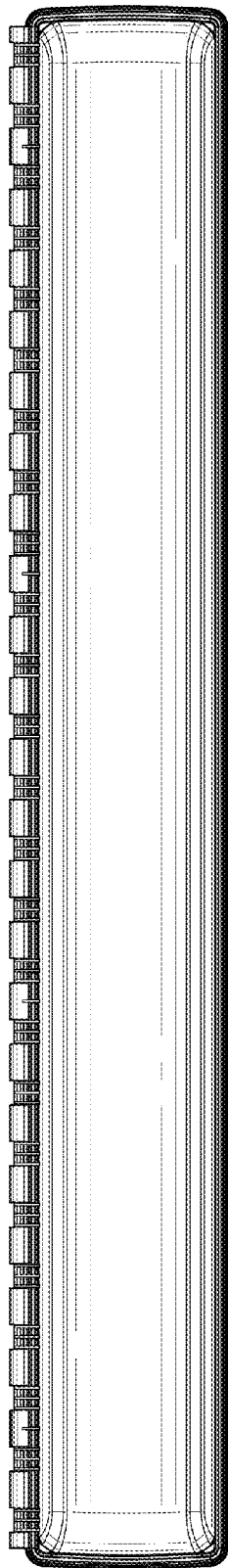


FIG. 11

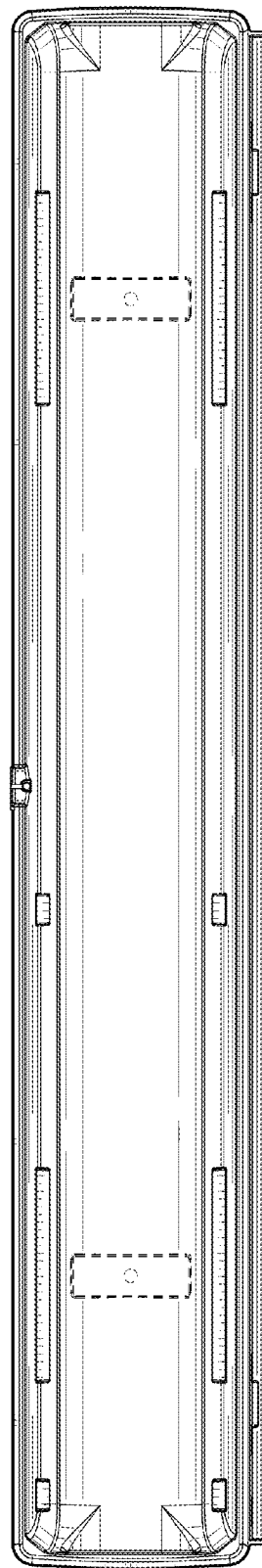


FIG. 12

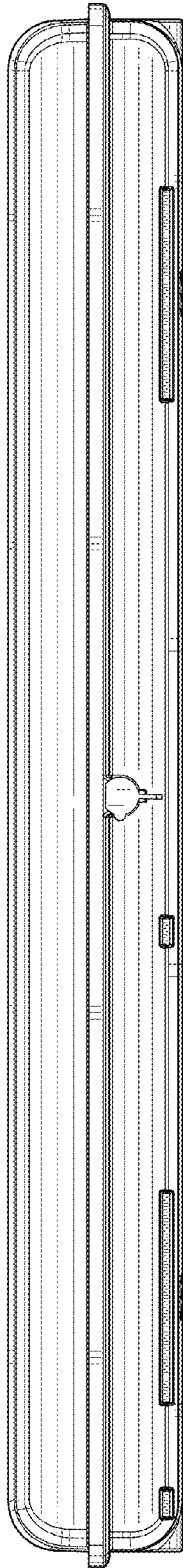


FIG. 13

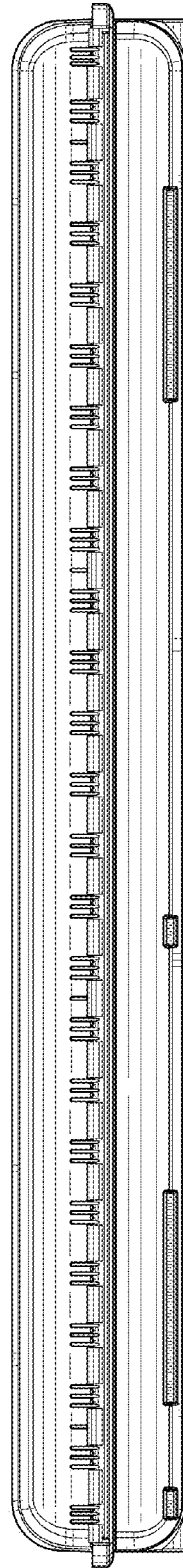


FIG. 14

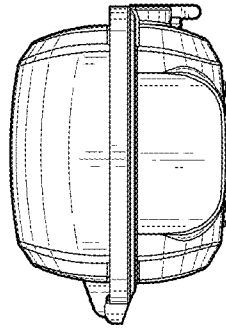


FIG. 16

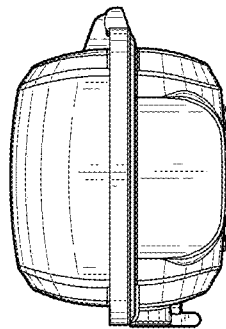


FIG. 15