



US00D714927S

(12) **United States Design Patent**
Urano

(10) **Patent No.:** **US D714,927 S**

(45) **Date of Patent:** **** Oct. 7, 2014**

- (54) **AIR CONDITIONING UNIT**
- (71) Applicant: **Kimura Kohki Co., Ltd.**, Osaka (JP)
- (72) Inventor: **Katsuhiko Urano**, Osaka (JP)
- (73) Assignee: **Kimura Kohki Co., Ltd.**, Osaka (JP)
- (**) Term: **14 Years**
- (21) Appl. No.: **29/433,049**
- (22) Filed: **Sep. 25, 2012**

5,792,230 A *	8/1998	Moore et al.	55/493
D469,173 S *	1/2003	Kawanori et al.	D23/351
D520,134 S *	5/2006	DePiero	D23/395
D578,633 S *	10/2008	Schluter et al.	D23/370
D582,527 S *	12/2008	Wang	D23/267
D629,883 S *	12/2010	Kimura et al.	D23/388
8,230,693 B2 *	7/2012	Tsuji et al.	62/262

* cited by examiner

Primary Examiner — David Muller

(74) *Attorney, Agent, or Firm* — Marshall, Gerstein & Borun LLP

(30) **Foreign Application Priority Data**

May 28, 2012 (JP) 2012-012427

(51) **LOC (10) Cl.** **23-04**

(52) **U.S. Cl.**
USPC **D23/388**

(58) **Field of Classification Search**
USPC D23/385–395, 397, 370–373, 365, 354,
D23/399–403, 421, 499; 454/309, 275–277,
454/284, 287–291, 358–363; 52/302.1,
52/32.07; 285/229, 189, 183, 123.1, 15,
285/114, 110, 424, 197; 165/59; 62/262
See application file for complete search history.

(56) **References Cited**

U.S. PATENT DOCUMENTS

D56,410 S *	10/1920	Bakstad	D23/385
4,227,068 A *	10/1980	Carter	392/370
D338,713 S *	8/1993	Cox et al.	D23/386
D339,415 S *	9/1993	Kiras	D23/397
D352,550 S *	11/1994	Rothenbacher	D23/386
D357,732 S *	4/1995	Spechts et al.	D23/388

(57) **CLAIM**

The ornamental design for an air conditioning outlet, as shown and described.

DESCRIPTION

FIG. 1 is a front, bottom, and right-side perspective view of an air conditioning outlet that has the design.

FIG. 2 is a front elevation view of the air conditioning outlet, the back being a mirror image of the front.

FIG. 3 is a left-side elevation view of the air conditioning outlet.

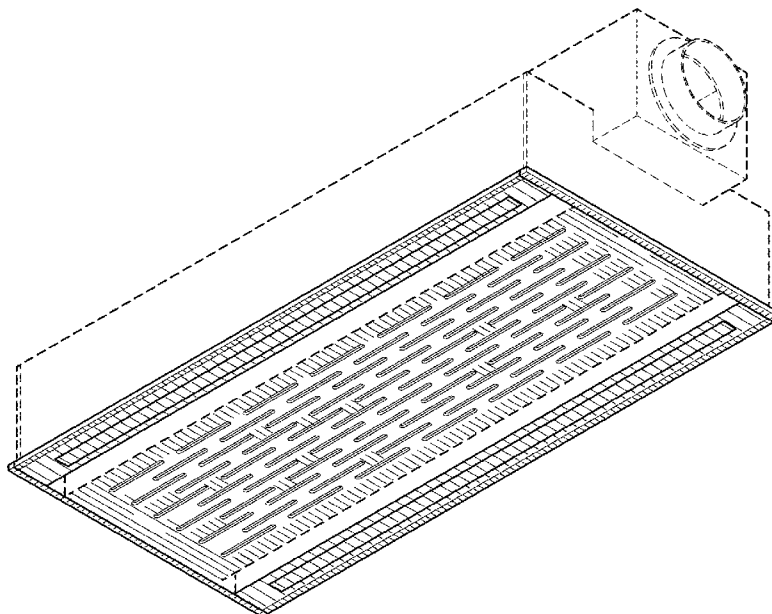
FIG. 4 is a right-side elevation view of the air conditioning outlet.

FIG. 5 is a top plan view of the air conditioning outlet; and, FIG. 6 is a bottom plan view of the air conditioning outlet.

The broken lines are intended to show elements of the air conditioning outlet, and form no part of the claimed design.

The elongated rectangular elements on either side of the bottom of the air conditioning unit may be made of white/translucent material.

1 Claim, 3 Drawing Sheets



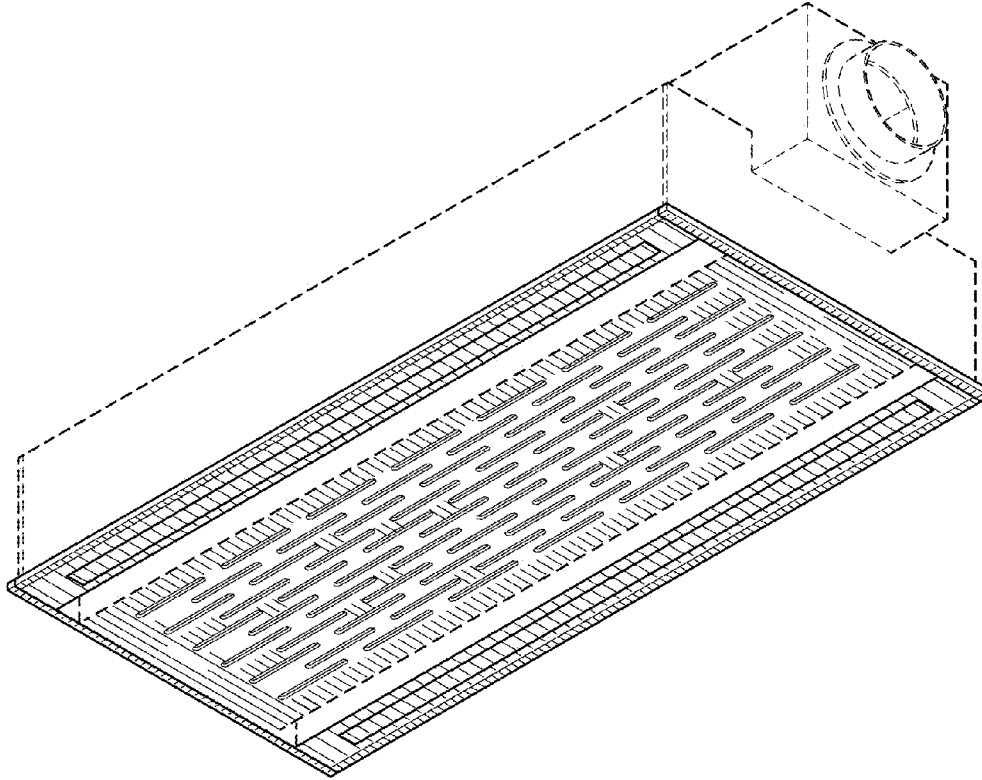


Fig. 1

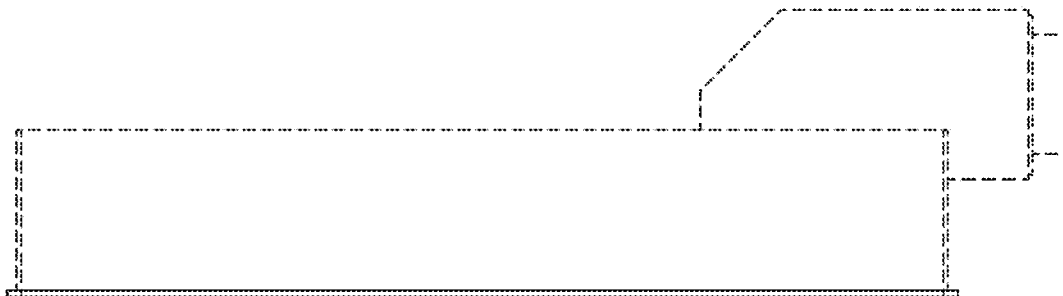


Fig. 2

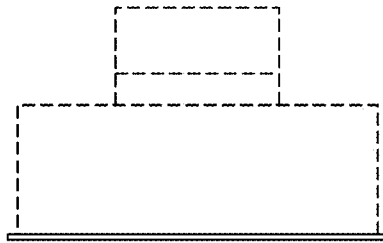


Fig. 3

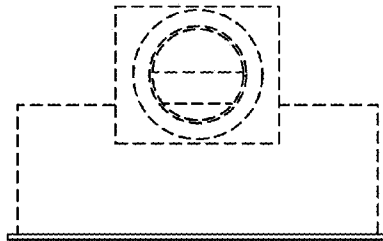


Fig. 4

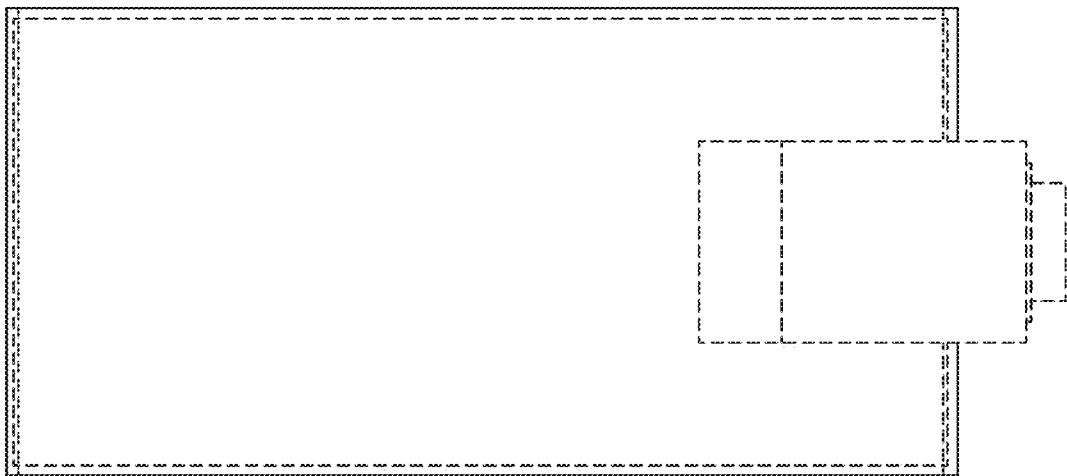


Fig. 5

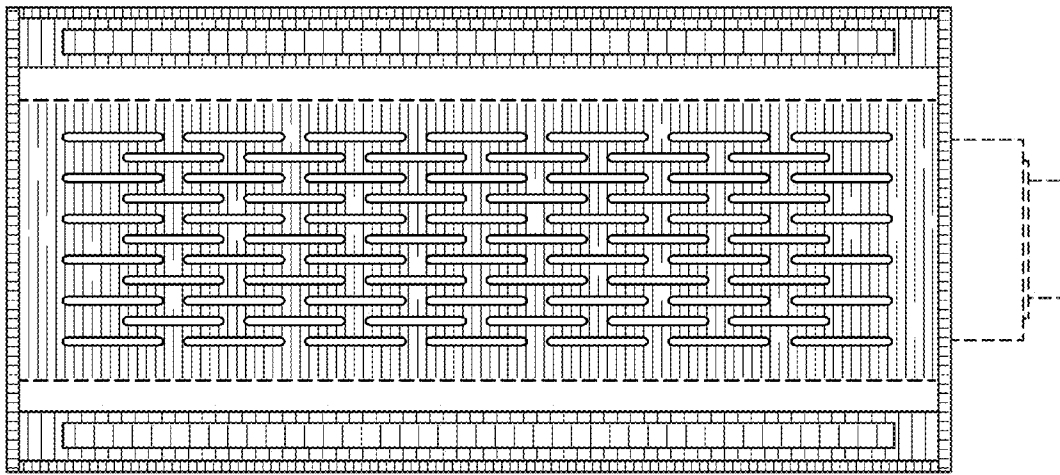


Fig. 6