



US00D892964S

(12) **United States Design Patent**  
**Williams**

(10) **Patent No.:** **US D892,964 S**

(45) **Date of Patent:** **\*\* Aug. 11, 2020**

(54) **CARRY HANDLE FOR A FIREARM**

2013/0333263 A1\* 12/2013 Hovey ..... F41C 23/16  
42/72

(71) Applicant: **KEL-TEC CNC INDUSTRIES**  
**INCORPORATED**, Cocoa, FL (US)

2017/0205162 A1\* 7/2017 Beaty ..... F41A 3/66  
2018/0202732 A1\* 7/2018 Gibbens ..... F41A 3/66  
2019/0195595 A1\* 6/2019 Kielsmeier ..... F41A 3/66

(72) Inventor: **Ryan Williams**, Cocoa, FL (US)

\* cited by examiner

(73) Assignee: **KEL-TEC CNC INDUSTRIES**  
**INCORPORATED**, Cocoa, FL (US)

*Primary Examiner* — Michael A. Pratt  
(74) *Attorney, Agent, or Firm* — Bennet K. Langlotz;  
Langlotz Patent & Trademark Works, LLC

(\*\*) Term: **15 Years**

(57) **CLAIM**

(21) Appl. No.: **29/688,915**

The ornamental design for a carry handle for a firearm, as shown and described.

(22) Filed: **Apr. 25, 2019**

**DESCRIPTION**

(51) **LOC (12) Cl.** ..... **22-01**

(52) **U.S. Cl.**  
USPC ..... **D22/108**

(58) **Field of Classification Search**  
USPC ..... D22/108  
CPC ..... F41C 23/16; F41C 33/08  
See application file for complete search history.

FIG. 1 is an upper left side perspective view of a carry handle for a firearm looking rearward of the carry handle on a weapon shown dashed showing my (our) new design; FIG. 2 is an upper left side perspective view thereof looking rearward of the handle alone; FIG. 3 is a top view thereof; FIG. 4 is an elevation view thereof of the left side of the carry handle; FIG. 5 is a bottom view thereof; FIG. 6 is an elevation view thereof of the right side of the carry handle; FIG. 7 is a rear view thereof; and, FIG. 8 is a front view thereof.

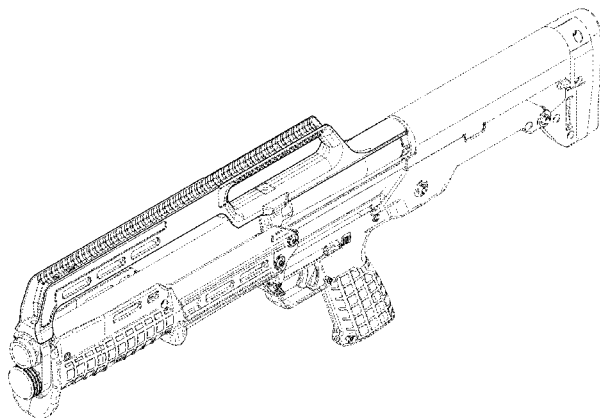
The broken lines in the drawings depict portions of the article that form no part of the claimed design.

(56) **References Cited**

**U.S. PATENT DOCUMENTS**

- 8,333,137 B2\* 12/2012 Sirochman ..... F41A 3/72  
89/1.4
- 2010/0236389 A1\* 9/2010 Larson ..... F41G 1/08  
89/1.42
- 2013/0276344 A1\* 10/2013 Picciotta ..... F41C 23/16  
42/94

**1 Claim, 4 Drawing Sheets**



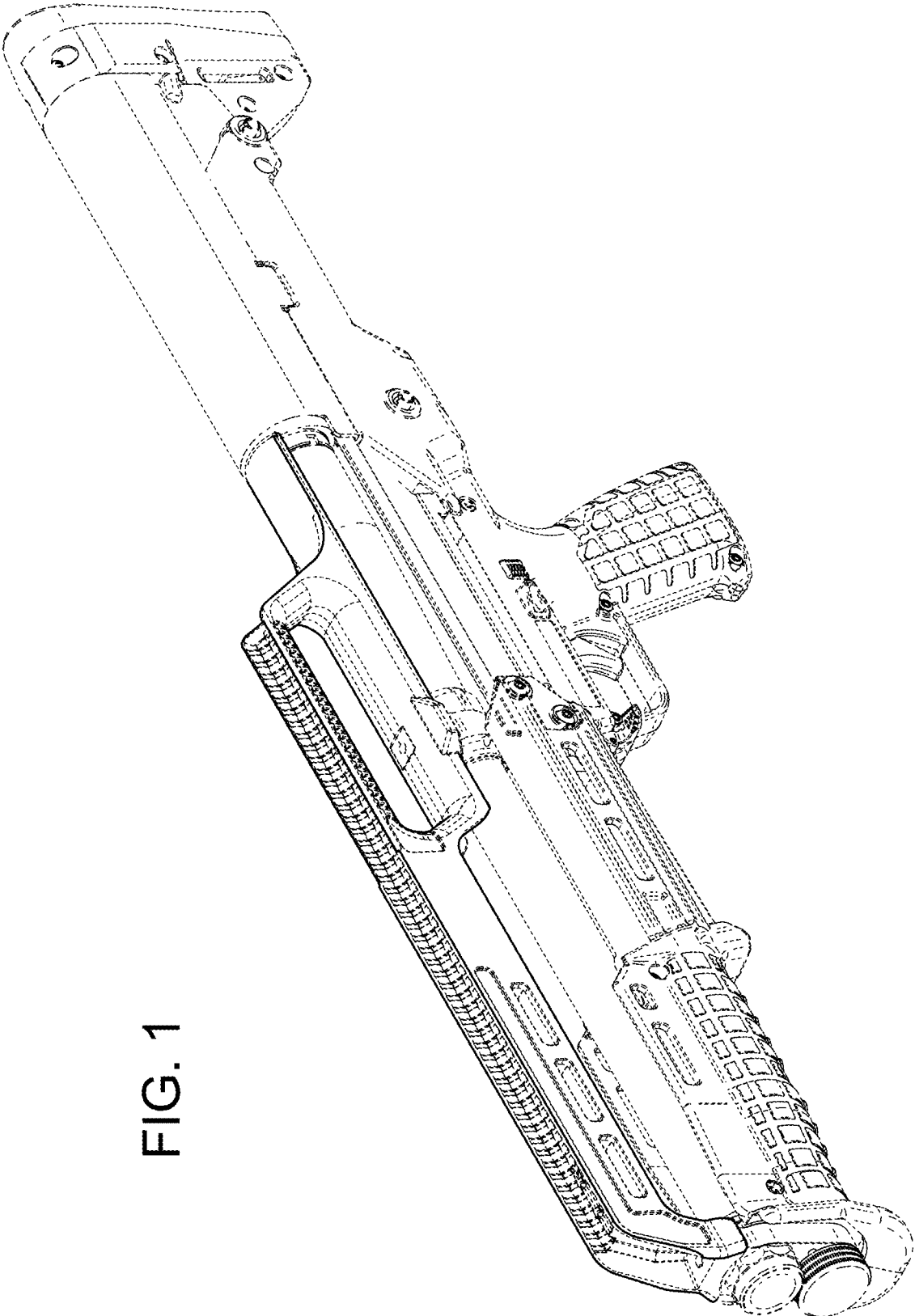


FIG. 1

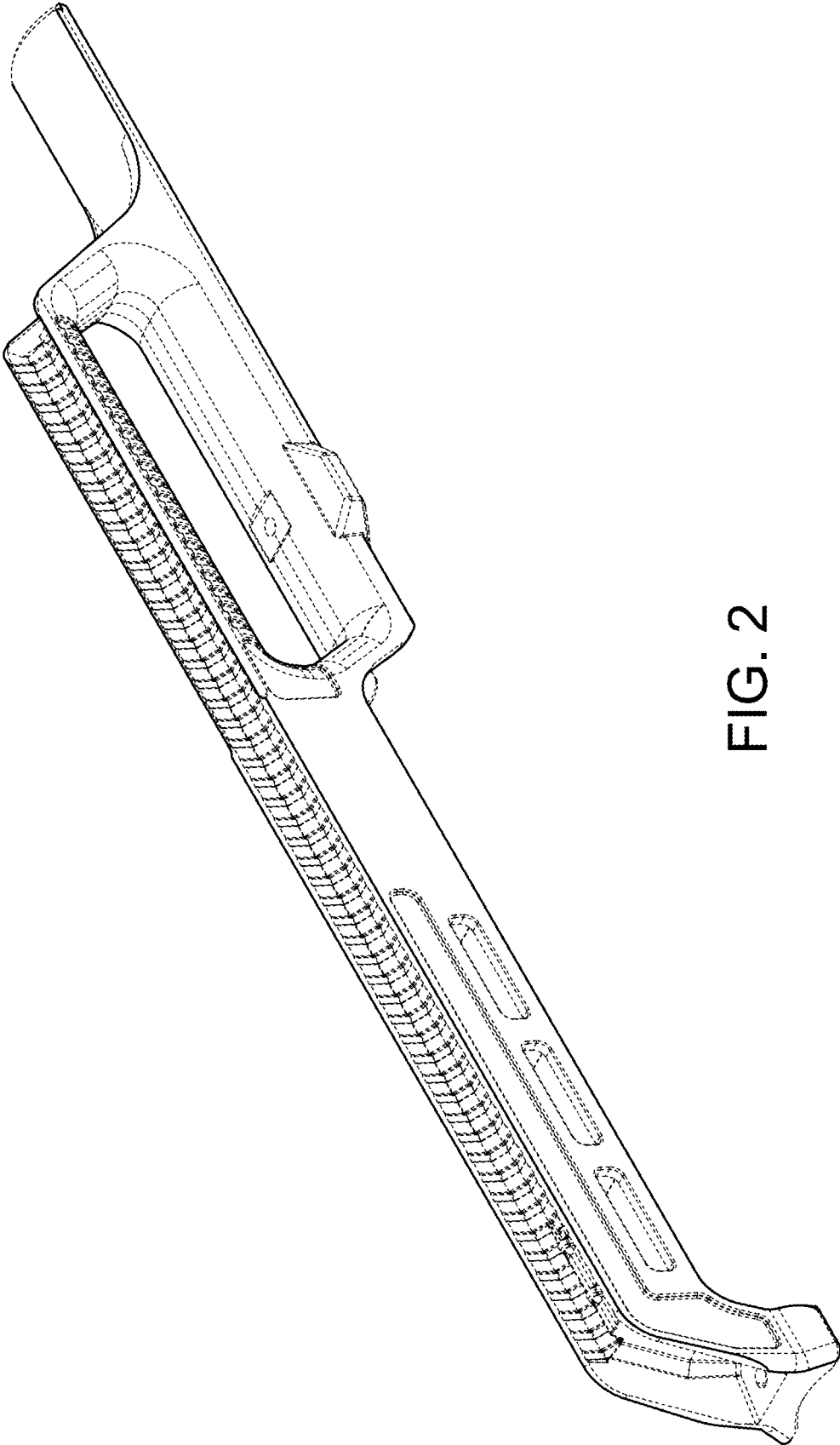


FIG. 2

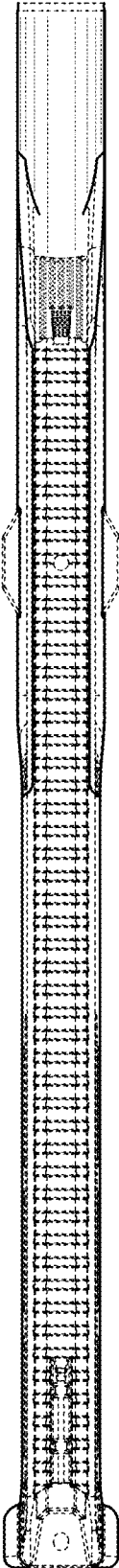


FIG. 3

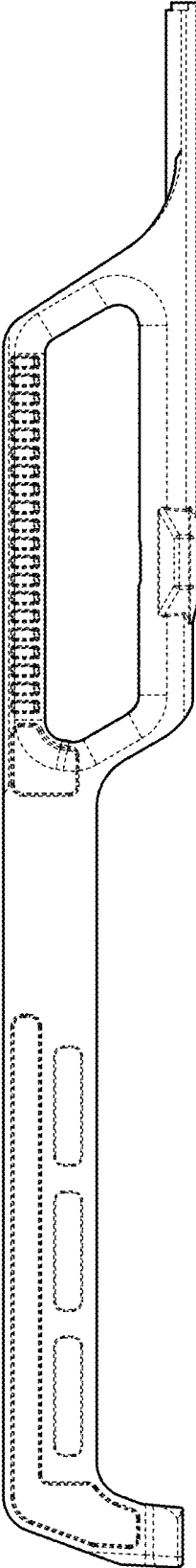


FIG. 4

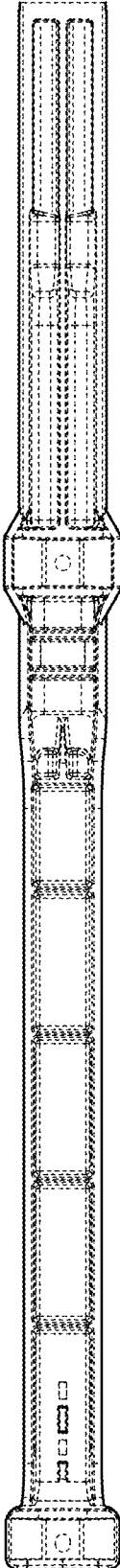


FIG. 5

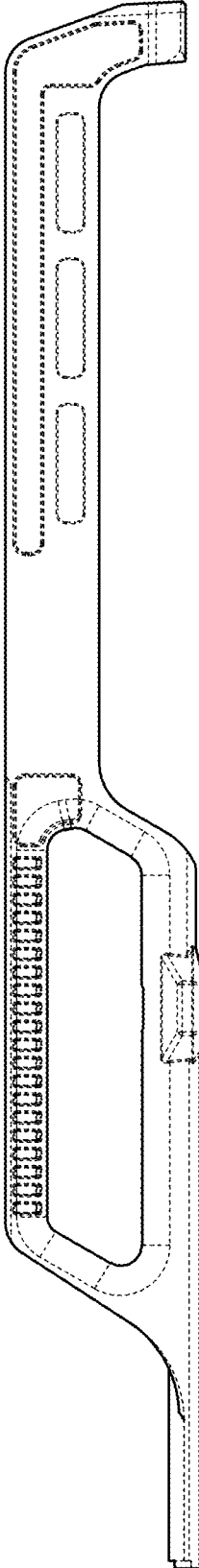


FIG. 6

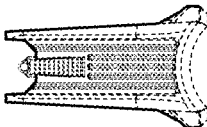


FIG. 7

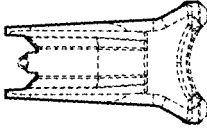


FIG. 8