

(19) World Intellectual Property
Organization
International Bureau



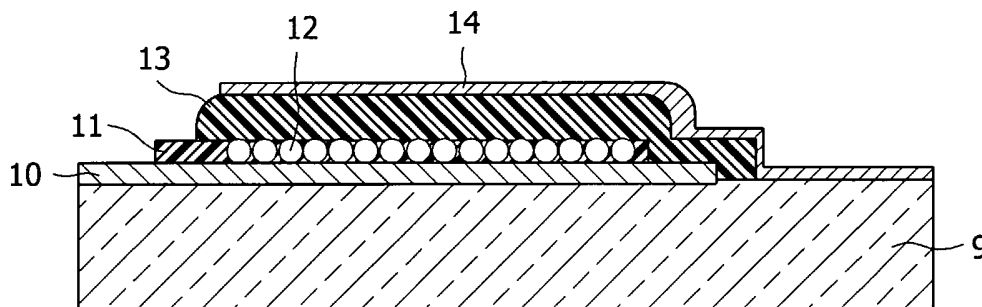
(43) International Publication Date
13 October 2005 (13.10.2005)

PCT

(10) International Publication Number
WO 2005/096407 A1

- (51) International Patent Classification⁷: **H01L 51/30**, 51/20
- (74) Agent: **VOLMER, Georg**; Philips Intellectual Property &, Standards GmbH, Weissshausstr. 2, 52066 Aachen (DE).
- (21) International Application Number:
PCT/IB2005/050978
- (81) Designated States (*unless otherwise indicated, for every kind of national protection available*): AE, AG, AL, AM, AT, AU, AZ, BA, BB, BG, BR, BW, BY, BZ, CA, CH, CN, CO, CR, CU, CZ, DE, DK, DM, DZ, EC, EE, EG, ES, FI, GB, GD, GE, GH, GM, HR, HU, ID, IL, IN, IS, JP, KE, KG, KP, KR, KZ, LC, LK, LR, LS, LT, LU, LV, MA, MD, MG, MK, MN, MW, MX, MZ, NA, NI, NO, NZ, OM, PG, PH, PL, PT, RO, RU, SC, SD, SE, SG, SK, SL, SM, SY, TJ, TM, TN, TR, TT, TZ, UA, UG, US, UZ, VC, VN, YU, ZA, ZM, ZW.
- (22) International Filing Date: 22 March 2005 (22.03.2005)
- (25) Filing Language: English
- (26) Publication Language: English
- (30) Priority Data:
04101310.3 31 March 2004 (31.03.2004) EP
- (71) Applicant (*for DE only*): **PHILIPS INTELLECTUAL PROPERTY & STANDARDS GMBH** [DE/DE]; Stein-damm 94, 20099 Hamburg (DE).
- (71) Applicant (*for all designated States except DE, US*): **KONINKLIJKE PHILIPS ELECTRONICS N. V.** [NL/NL]; Groenewoudseweg 1, NL-5621 BA Eindhoven (NL).
- (72) Inventors; and
- (75) Inventors/Applicants (*for US only*): **BECHTEL, Hans-Helmut** [DE/DE]; c/o Philips Intellectual Property &, Standards GmbH, Weissshausstr. 2, 52066 Aachen (DE). **BUSSELT, Wolfgang** [DE/DE]; c/o Philips Intellectual Property &, Standards GmbH, Weissshausstr. 2, 52066 Aachen (DE). **OPITZ, Joachim** [DE/DE]; c/o Philips Intellectual Property &, Standards GmbH, Weissshausstr. 2, 52066 Aachen (DE).
- (84) Designated States (*unless otherwise indicated, for every kind of regional protection available*): ARIPO (BW, GH, GM, KE, LS, MW, MZ, NA, SD, SL, SZ, TZ, UG, ZM, ZW), Eurasian (AM, AZ, BY, KG, KZ, MD, RU, TJ, TM), European (AT, BE, BG, CH, CY, CZ, DE, DK, EE, ES, FI, FR, GB, GR, HU, IE, IS, IT, LT, LU, MC, NL, PL, PT, RO, SE, SI, SK, TR), OAPI (BF, BJ, CF, CG, CI, CM, GA, GN, GQ, GW, ML, MR, NE, SN, TD, TG).
- Published:**
— with international search report
— before the expiration of the time limit for amending the claims and to be republished in the event of receipt of amendments
- For two-letter codes and other abbreviations, refer to the "Guidance Notes on Codes and Abbreviations" appearing at the beginning of each regular issue of the PCT Gazette.*

(54) Title: INTERMEDIATE LAYER IN ELECTROLUMINESCENT ARRANGEMENTS AND ELECTROLUMINESCENT ARRANGEMENT



(57) Abstract: An intermediate layer (11) comprises a basic material such as a conductive polymer that taken alone still absorbs some light. Combined with colloidal particles (12) the intermediate layer (11) becomes almost fully transparent. An electroluminescent arrangement with an intermediate layer (11) that is almost fully transparent because of colloidal particle (12) comprised therein has an increased efficiency and thus requires less energy for the same luminescent properties.

WO 2005/096407 A1

Intermediate layer in electroluminescent arrangements and electroluminescent arrangement

5 The invention relates to an intermediate layer in an electroluminescent (EL) arrangement. The intermediate layer may be either a hole (a positive charge) injection and/or a hole transportation layer or an electron (a negative charge) injection and/or an electron transportation layer which is arranged between two electrodes together with a light emitting layer. When a voltage is applied across the two electrodes
10 the EL arrangement emits light because of the current flow.

 The EL arrangement may consist of anorganic semiconductor materials or organic materials (Organic Light Emitting Diodes OLED).

 LEDs, which comprise at least one layer consisting of a polymer therefore are called PolyLEDs or PLEDs. A common polymer used for PolyLEDs is
15 Poly(ethylene dioxythiophene) (PEDT or PDOT) which is a material that is highly absorbing for visible light. Thus, even a PolyLED layer that is extremely thin still absorbs about 5 to 10 percent of the emitted light.

 PolyLEDs are used for displays for monochrome or full color RGB (Red/Green/Blue) PolyLED devices. A schematic structure of a PolyLED display is
20 shown in Figure 1 concerning the prior art. A glass panel 1, which forms the front side of the display has a structured Indium-Tin-Oxide (ITO) electrode 2. Two organic layers 3, 4 are deposited onto the ITO electrode 2 by spin coating or ink jetting for example. The first organic layer 3, which is deposited onto the ITO electrode 2 consists of a
25 conductive Polymer which is used for the transport and the injection of positive charge carriers or holes. The second layer 4 consists of a Polymer, which is emitting light when a voltage is applied. It is custom to use a mixture of PDOT and PSS poly (styrene sulphonate) in order to achieve a high efficiency and a good live span. As a third layer 5 a cathode metal is deposited onto the emissive layer 4. A cover lid 6 comprising a getter
7 is adhered to the structure by glue 8.

An object of the invention is to provide an intermediate layer for an electroluminescent arrangement which comprises at least one hole (a positive charge) or electron (a negative charge) transportation and/or injection layer together with at least one light emitting layer arranged between an anode electrode and a cathode electrode with the electroluminescent arrangement emitting light when a voltage is applied across the two electrodes and with the intermediate layer absorbing less light of the visible spectral range.

A further object of the invention is to provide an electroluminescent arrangement with an increased efficiency due to reduced absorption of light of the visible spectral range with less energy used for the same luminescence.

As regards the intermediate layer the object is solved by a transportation and / or injection layer that comprises colloidal particles with particle diameters in the range of 10^{-7} to 10^{-4} cm, which are transparent for light of the visible spectral range. The colloidal particles may be either an organic material such as postchlorinated polyvinyl chloride (PC) or latex or an anorganic material such as an oxide, a phosphate, a silicate or a borate. They just have to be compatible with the production conditions, e. g. the process temperature during the production of PLEDs rises up to 200° C.

It is advantageous that the colloidal particles' index of refraction is in the range of the basic material's index of refraction as thus the contrast at daylight is highest.

The colloidal particles of the intermediate layer may be colloidal silicon dioxide particles. The results of measurements have shown that the percentage of the light emitting from the layer structure increases when the basic material further comprises silicon dioxide particles.

As regards the electroluminescent arrangement the object is solved by an EL arrangement with an intermediate layer, which comprises a basic material and furthermore colloidal particles as well as either

- an anode electrode that transmits light of the visible spectral range and a cathode electrode that reflects light of the visible spectral range or
- a cathode electrode that transmits light of the visible spectral range and an anode electrode that reflects light of the visible spectral range or
- both the cathode and the anode transmit visible light.

The presence of colloidal particles results in an enhanced outcoupling of the light. That is why the voltage applied across the two electrodes can be lower while the EL arrangement has the same luminescence compared to the prior art.

According to one embodiment of the electroluminescent arrangement the cathode electrode transmits light as it is transparent and comprises a thin and thus as well transparent silver layer onto which one or more further transparent dielectric layers are deposited. This arrangement is preferably used for active matrix displays with independently activated pixels where additionally transistors are selected.

According to a preferred embodiment of the electroluminescent arrangement the average diameter of the colloid particles is smaller than twice the size of the transportation layer's thickness as under this condition the electrical properties of the device almost do not change.

According to one embodiment the electroluminescent arrangement comprises a transportation layer with colloidal particles that preferably transports holes and is made of PDOT or TPD (Triphenyldiamine derivatives).

According to a further embodiment the electroluminescent arrangement comprises a transportation layer with colloidal particles that preferably transports electrons.

The electroluminescent arrangement's light emitting layer may be a polymer such as poly(p-phenylene vinylene) (PPV) and/or a solution processed organic material.

The electroluminescent arrangement's light emitting layer may be made of a vacuum deposited organic material such as Tris(8-quinolinol)aluminium (Alq₃).

According to a preferred embodiment the charge transportation layer consists of PDOT, which comprises 5 times the amount (weight) of silicon dioxide (SiO₂) particles with a size (diameter) of 120 nm.

The electroluminescent arrangement may be used as an active matrix display, a passive matrix display or a light source either for monochrome or for full color application.

In the following, the invention will be described in further detail with reference to the accompanying drawing, wherein

Fig. 2 shows a sectional view of a schematic display with colloidal particles whose average diameter corresponds to the charge transportation layer's thickness;

5 Fig. 3 shows the sectional view of Fig. 2 with colloidal particles whose average diameter corresponds to half of the size of the charge transportation layer's thickness;

Fig. 4 shows the sectional view of Fig. 2 with colloidal particles whose average diameter corresponds to twice the size of the charge
10 transportation layer's thickness.

Fig. 2 shows a sectional view of a schematic display with colloidal particles 12 whose average diameter corresponds to the charge transportation layer's 11 thickness. Transportation layer 11 may either transport positive or negative charges and is deposited on an electrode, which is an ITO anode 10 in this example. Deposited onto the transportation layer 11 is an emissive layer 13 which also covers a projecting edge of the anode 10. In this example the bulk is covered with an cathode electrode 14 which covers most of the emissive layer 13 and part of a glass panel 9. The glass panel may be
20 substituted by a flexible transparent material such as used for e-paper where the glass particles are deposited onto a transparent plastic material. This example concerns an LED an anode 10, which transmits visible light and a cathode 14 which reflects visible light.

Fig. 3 shows the sectional view of Fig. 2 with colloidal particles 12 whose
25 average diameter corresponds to half of the size of the charge transportation layer's 11 thickness.

Fig. 4 shows the sectional view of Fig. 2 with colloidal particles 12 whose average diameter corresponds to twice the size of the charge transportation layer's 11 thickness. This is the maximum because up to this size the influence on the electrical
30 behavior of the LED is almost negligible.

The invention may be summarized with an intermediate layer that comprises a basic material, such as a conductive polymer, that taken alone still absorbs

some light. Combined with colloidal particles the intermediate layer becomes almost fully transparent. An electroluminescent arrangement with an intermediate layer that is almost fully transparent because of colloidal particles comprised therein has an increased efficiency and thus requires less energy for the same luminescent properties.

CLAIMS:

1. An intermediate layer for an electroluminescent arrangement which comprises at least one light emitting layer (13) and at least one hole (a positive charge) or electron (a negative charge) transportation and/or injection layer (11) of a basic material arranged between an anode electrode (10) and a cathode electrode (11) with
5 the electroluminescent arrangement emitting light when a voltage is applied across the two electrodes (10, 13), characterized in that the transportation and / or injection layer (11) further comprises colloidal particles (12).
2. An intermediate layer according to claim 1, characterized in that the
10 colloidal particles (12) are an organic material especially an organic material selected from the group consisting of PC or latex.
3. An intermediate layer according to claim 1, characterized in that the
15 colloidal particles (12) are an anorganic material, especially an anorganic material selected from the group consisting of an oxide, a phosphate, a silicate or a borate.
4. An intermediate layer according to any of claims 1 to 3, characterized in
20 that the colloidal particles' (12) index of refraction is in the range of the basic material's index of refraction.
5. An electroluminescent arrangement with an intermediate layer according
to any of the claims 1 to 4, characterized in that
 - the anode electrode (10) transmits light of the visible spectral range and
the cathode (14) electrode reflects light of the visible spectral range or
 - 25 - the cathode electrode (14) transmits light of the visible spectral range
and the anode electrode (10) reflects light of the visible spectral range or

- both the cathode (14) and the anode (10) transmit visible light.
6. An electroluminescent arrangement according to claim 5, characterized
5 in that the cathode electrode (14) transmits light and comprises a thin silver layer onto
which one or more further transparent dielectric layers are deposited.
7. An electroluminescent arrangement according to any of the claims 5 or
6, characterized in that the average diameter of the colloid particles (12) is smaller than
10 twice the size of the transportation layer's (11) thickness.
8. An electroluminescent arrangement according to any of the claims 5 to 7,
characterized in that the transportation layer (11) with the colloidal particles (12)
preferably transports holes and is made of a material selected from the group consisting
15 of PDOT or TPD.
9. An electroluminescent arrangement according to any of the claims 5 to 7,
characterized in that the transportation layer (11) with the colloidal particles (12)
preferably transports electrons.
20
10. An electroluminescent arrangement according to any of the claims 5 to 9,
characterized in that the light-emitting layer (13) is a polymer and/or a solution
processed organic material.
- 25 11. An electroluminescent arrangement according to any of the claims 5 to 9,
characterized in that the light emitting layer (13) is made of a vacuum deposited organic
material.
12. Use of an electroluminescent arrangement according to any of the claims
30 5 to 11 as an active matrix display, a passive matrix display or a light source either for
monochrome or for full color application.

1/2

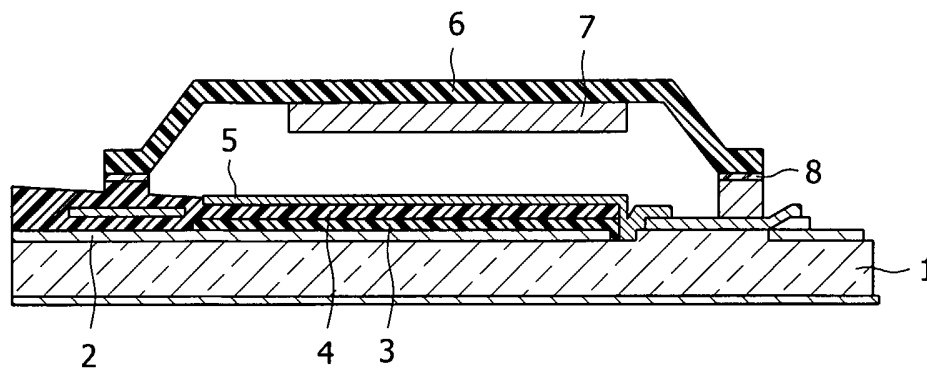


FIG. 1 prior art

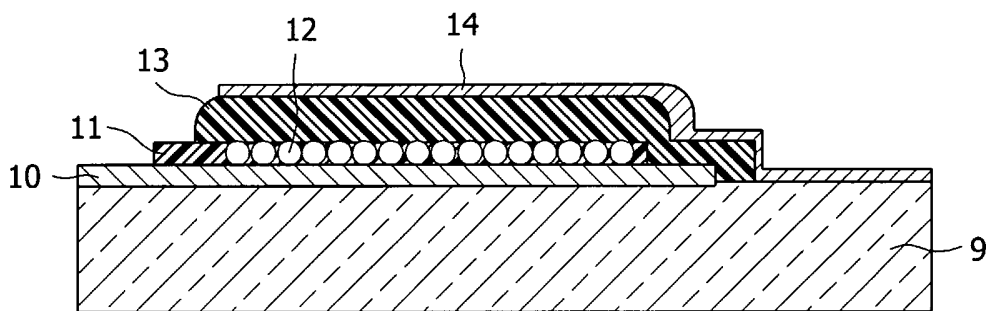


FIG. 2

2/2

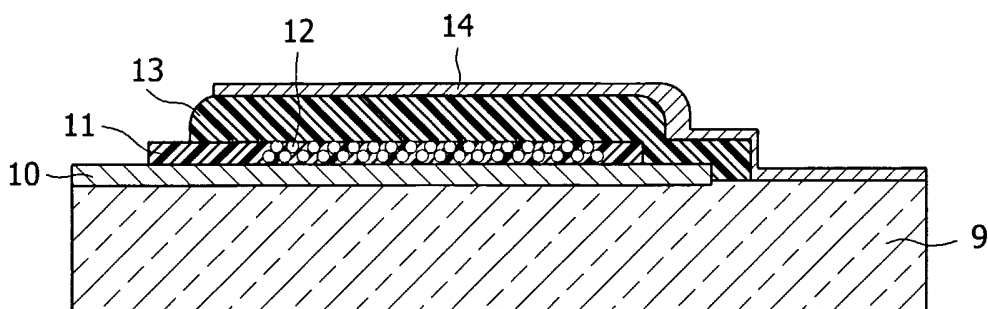


FIG. 3

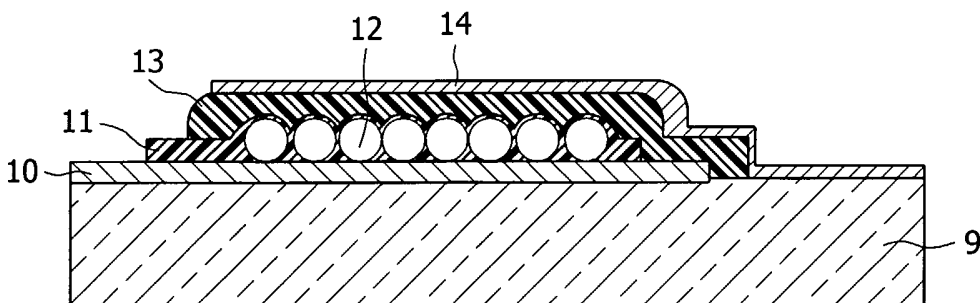


FIG. 4

INTERNATIONAL SEARCH REPORT

International Application No
PCT/IB2005/050978

A. CLASSIFICATION OF SUBJECT MATTER
IPC 7 H01L51/30 H01L51/20

According to International Patent Classification (IPC) or to both national classification and IPC

B. FIELDS SEARCHED

Minimum documentation searched (classification system followed by classification symbols)
IPC 7 H01L

Documentation searched other than minimum documentation to the extent that such documents are included in the fields searched

Electronic data base consulted during the international search (name of data base and, where practical, search terms used)

EPO-Internal

C. DOCUMENTS CONSIDERED TO BE RELEVANT

Category °	Citation of document, with indication, where appropriate, of the relevant passages	Relevant to claim No.
X	US 5 917 279 A (ELSCHNER ET AL) 29 June 1999 (1999-06-29) column 2, line 8 - line 50 column 3, line 34 - line 35 -----	1,3,5,7, 9,10,12
X	DE 198 54 938 A1 (FORSCHUNGSZENTRUM JUELICH GMBH) 8 June 2000 (2000-06-08) claims 1,7-10,12-15,21-23,26 -----	1,3,5,7, 9
X	WO 00/04593 A (CAMBRIDGE DISPLAY TECHNOLOGY LTD; TESSLER, NIR; HO, PETER; FRIEND, RIC) 27 January 2000 (2000-01-27) the whole document -----	1,3,5,7, 9,10,12

Further documents are listed in the continuation of box C.

Patent family members are listed in annex.

° Special categories of cited documents :

- "A" document defining the general state of the art which is not considered to be of particular relevance
- "E" earlier document but published on or after the international filing date
- "L" document which may throw doubts on priority claim(s) or which is cited to establish the publication date of another citation or other special reason (as specified)
- "O" document referring to an oral disclosure, use, exhibition or other means
- "P" document published prior to the international filing date but later than the priority date claimed

- "T" later document published after the international filing date or priority date and not in conflict with the application but cited to understand the principle or theory underlying the invention
- "X" document of particular relevance; the claimed invention cannot be considered novel or cannot be considered to involve an inventive step when the document is taken alone
- "Y" document of particular relevance; the claimed invention cannot be considered to involve an inventive step when the document is combined with one or more other such documents, such combination being obvious to a person skilled in the art.
- "&" document member of the same patent family

Date of the actual completion of the international search

8 September 2005

Date of mailing of the international search report

15/09/2005

Name and mailing address of the ISA

European Patent Office, P.B. 5818 Patentlaan 2
NL - 2280 HV Rijswijk
Tel. (+31-70) 340-2040, Tx. 31 651 epo nl,
Fax: (+31-70) 340-3016

Authorized officer

Welter, S

INTERNATIONAL SEARCH REPORT

 International Application No
 PCT/IB2005/050978

Patent document cited in search report		Publication date	Patent family member(s)	Publication date
US 5917279	A	29-06-1999	DE 19543205 A1	22-05-1997
			CA 2190803 A1	21-05-1997
			EP 0777279 A2	04-06-1997
			JP 9148071 A	06-06-1997

DE 19854938	A1	08-06-2000	WO 0033396 A1	08-06-2000
			DE 19905694 A1	17-08-2000
			EP 1138090 A1	04-10-2001
			JP 2002531958 T	24-09-2002
			US 6559375 B1	06-05-2003

WO 0004593	A	27-01-2000	AU 4921499 A	07-02-2000
			CN 1316105 A	03-10-2001
			EP 1099261 A1	16-05-2001
			WO 0004593 A1	27-01-2000
			JP 2002520683 T	09-07-2002
			US 6777706 B1	17-08-2004
			AT 270788 T	15-07-2004
			AU 3977900 A	23-10-2000
			CN 1349651 A	15-05-2002
			DE 60012000 D1	12-08-2004
			DE 60012000 T2	18-08-2005
			EP 1166281 A1	02-01-2002
			EP 1432051 A2	23-06-2004
			WO 0060612 A1	12-10-2000
			JP 2002541307 T	03-12-2002
			US 2004220332 A1	04-11-2004
US 6835803 B1	28-12-2004			