



US00D608552S

(12) **United States Design Patent**
Jehs et al.

(10) **Patent No.:** **US D608,552 S**

(45) **Date of Patent:** **** Jan. 26, 2010**

(54) **OTTOMAN**

(75) Inventors: **Markus Jehs**, Stuttgart (DE); **Juergen Laub**, Stuttgart (DE)

(73) Assignee: **Knoll, Inc.**, East Greenville, PA (US)

(**) Term: **14 Years**

(21) Appl. No.: **29/336,966**

(22) Filed: **May 13, 2009**

(51) **LOC (9) Cl.** **06-01**

(52) **U.S. Cl.** **D6/349**

(58) **Field of Classification Search** D6/330,
D6/335-338, 340, 349-355, 358, 359, 364,
D6/366, 376, 491, 495, 500-502; 297/16.1,
297/39, 46, 135, 140, 156, 158.3, 158.4,
297/175, 177, 187, 195.1, 195.11, 211, 245,
297/423.1, 423.16, 445.1, 461, 462

See application file for complete search history.

(56) **References Cited**

U.S. PATENT DOCUMENTS

- D181,730 S * 12/1957 Jones D6/349
- D213,872 S * 4/1969 Leistikow D6/349
- D284,717 S * 7/1986 Murry D6/349
- D290,556 S * 6/1987 Strousse et al. D6/349
- D293,515 S * 1/1988 Frinier D6/349

- D336,166 S * 6/1993 Hollington D6/349
- D540,047 S * 4/2007 Mourgue D6/352
- D555,918 S * 11/2007 Massaud D6/349

* cited by examiner

Primary Examiner—Sandra Snapp

(74) *Attorney, Agent, or Firm*—Buchanan Ingersoll & Rooney PC

(57) **CLAIM**

The ornamental design for an ottoman, as shown and described.

DESCRIPTION

FIG. 1 is a perspective view of an ottoman showing our new design;

FIG. 2 is a front elevational view thereof;

FIG. 3 is a rear elevational view thereof;

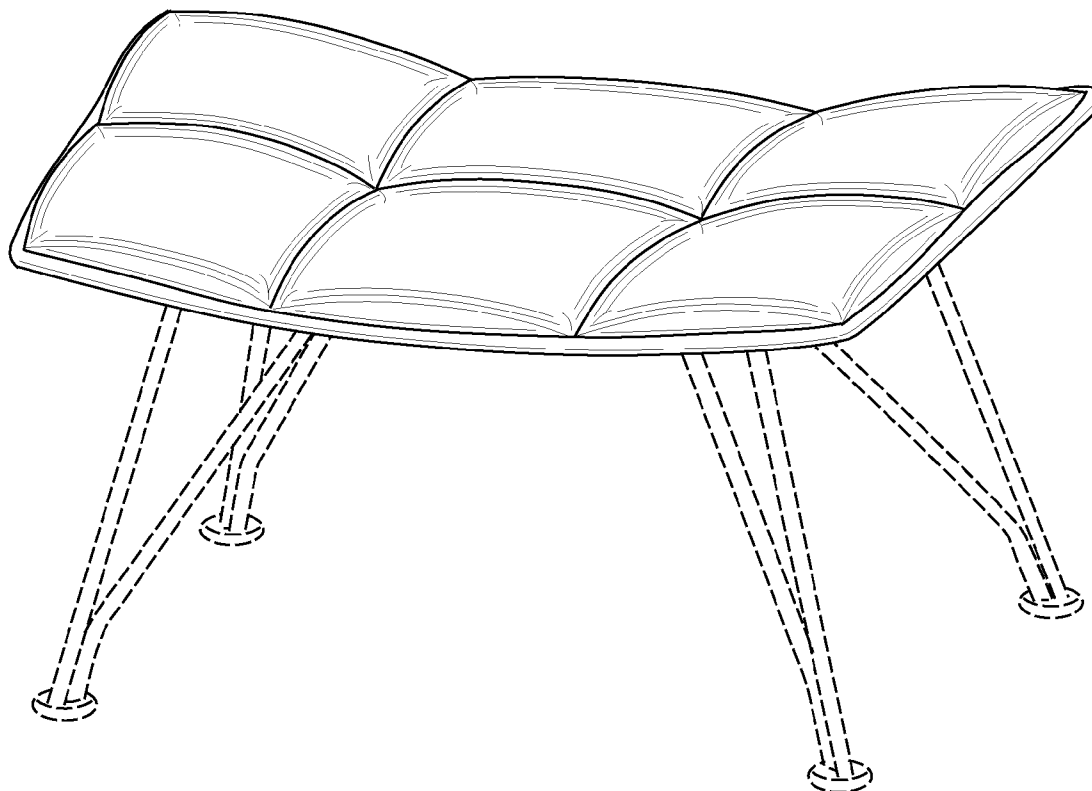
FIG. 4 is a right side elevational view thereof, the left side being a mirror image thereof;

FIG. 5 is a top plan view thereof; and,

FIG. 6 is a bottom plan view thereof.

The phantom lines in FIGS. 1-6 are for illustrative purposes only to show a sample base and form no part of the claimed design.

1 Claim, 4 Drawing Sheets



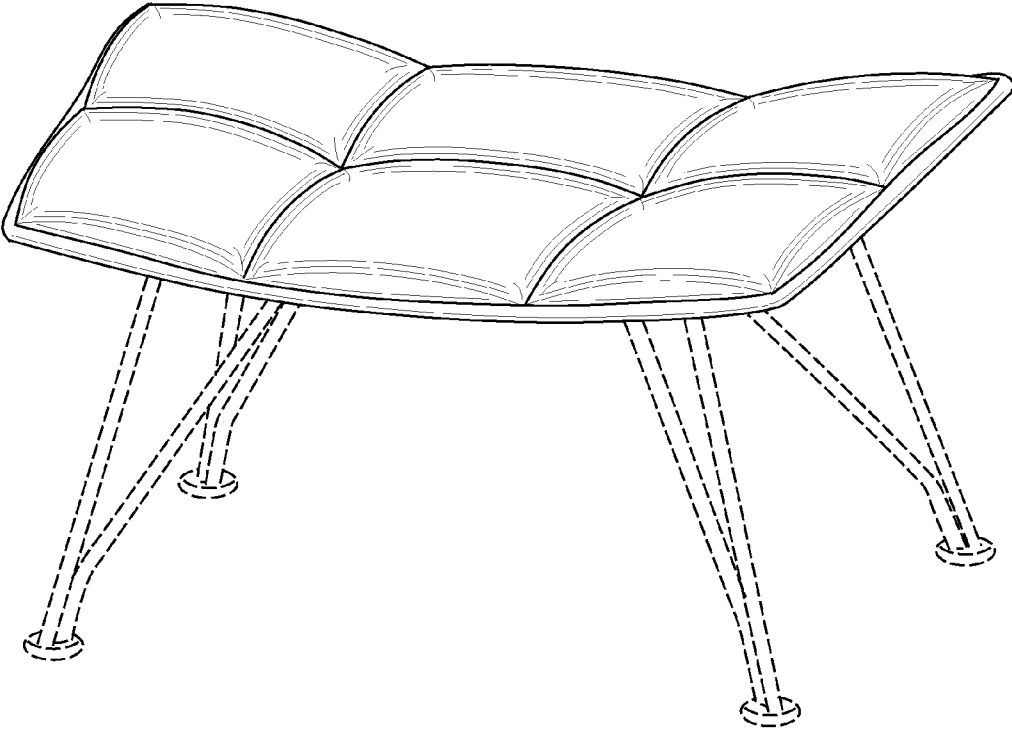


FIG. 1

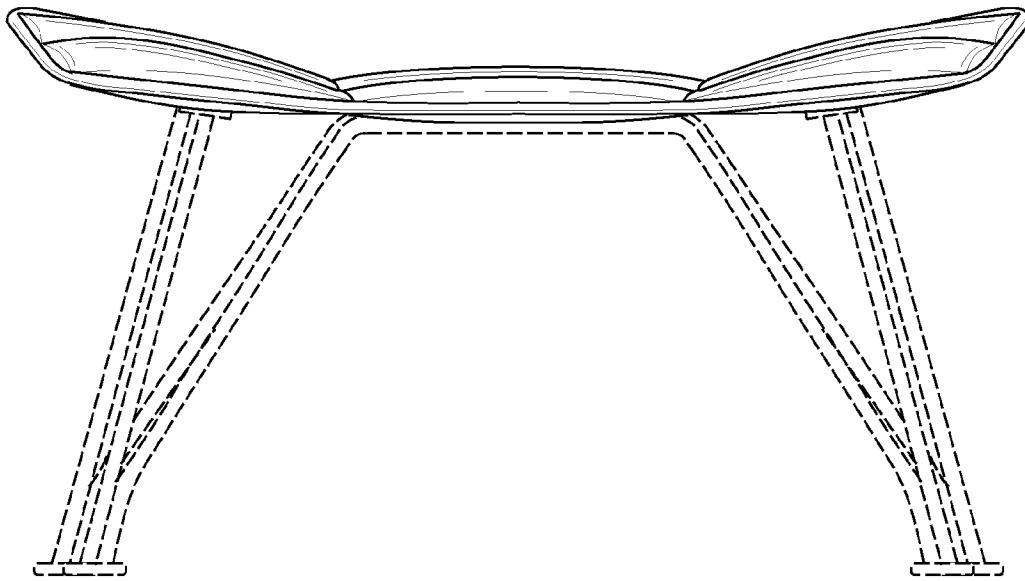


FIG. 2

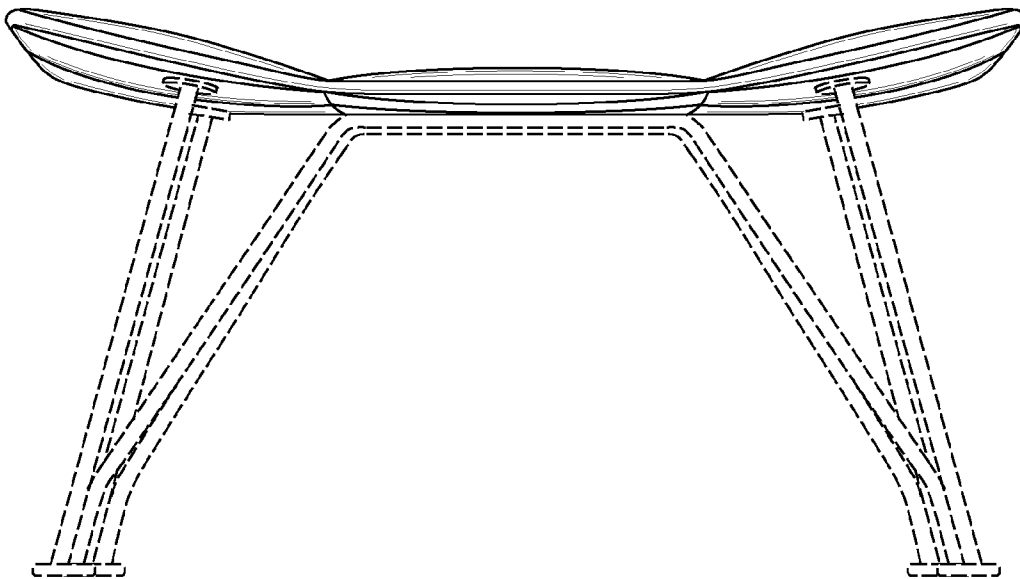


FIG. 3

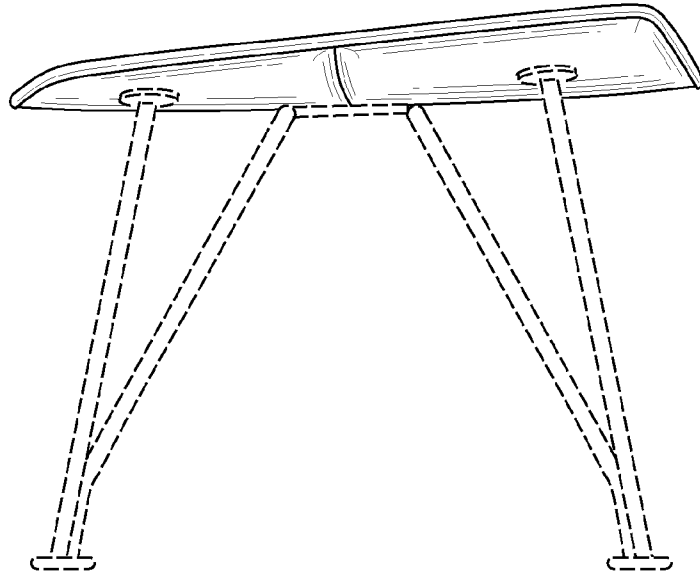


FIG. 4

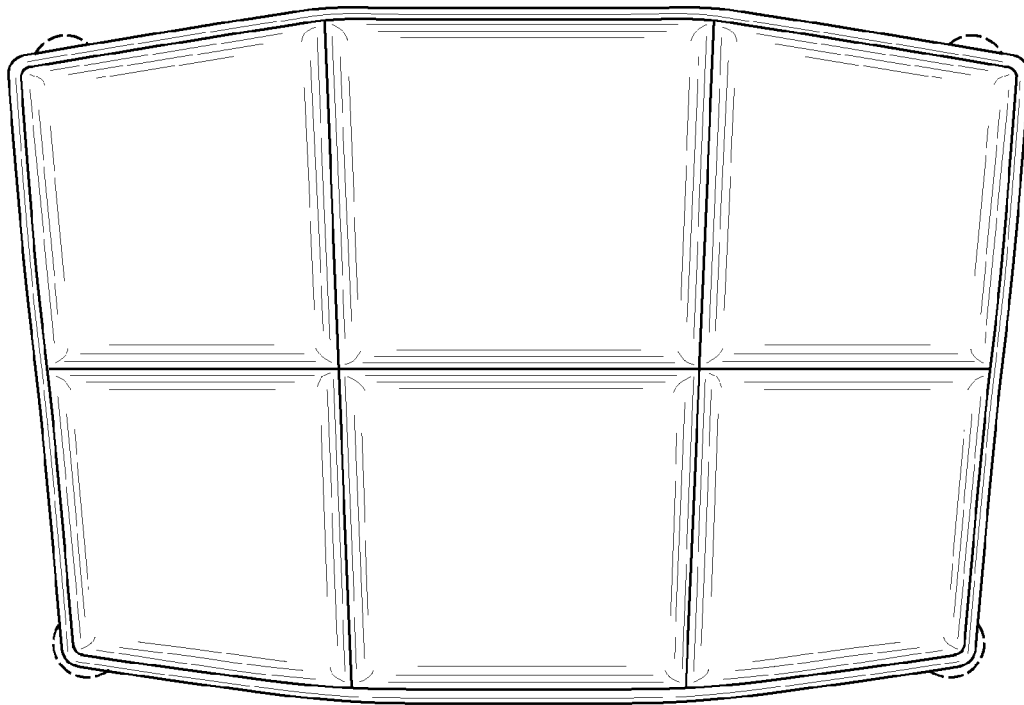


FIG. 5

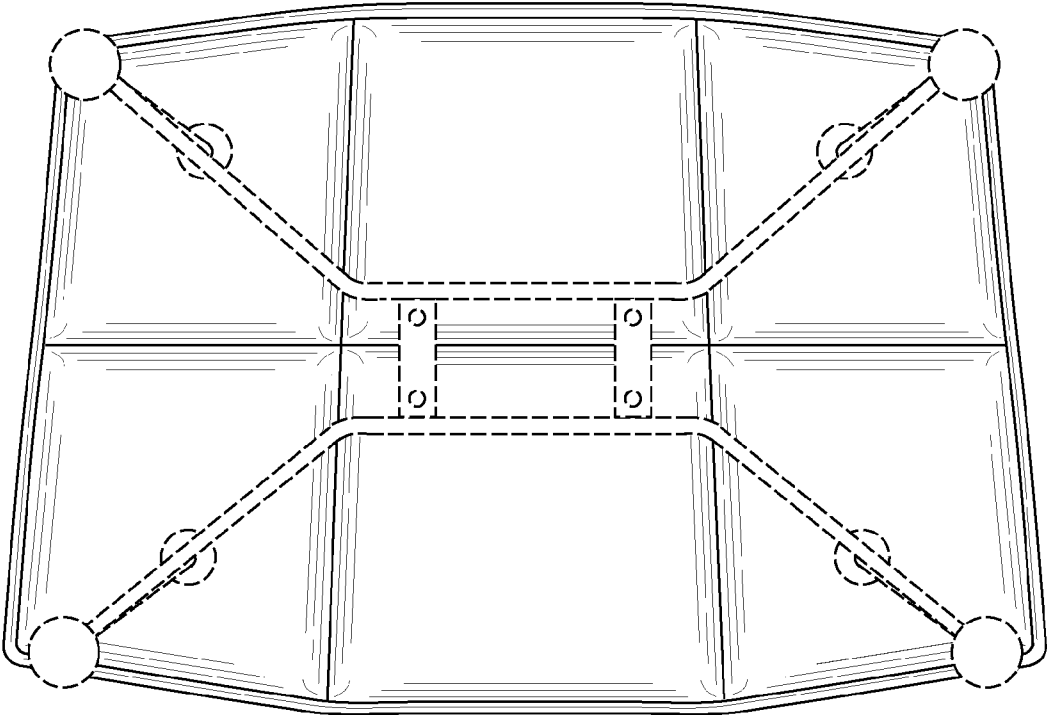


FIG. 6