

(19) World Intellectual Property Organization
International Bureau



(43) International Publication Date
17 July 2008 (17.07.2008)

PCT

(10) International Publication Number
WO 2008/085493 A3

(51) International Patent Classification:
A61L 27/24 (2006.01) A61F 2/08 (2006.01)
A61L 27/34 (2006.01)

(21) International Application Number:
PCT/US2007/026365

(22) International Filing Date:
27 December 2007 (27.12.2007)

(25) Filing Language: English

(26) Publication Language: English

(30) Priority Data:
60/882,065 27 December 2006 (27.12.2006) US
60/883,408 4 January 2007 (04.01.2007) US
60/890,660 20 February 2007 (20.02.2007) US

(71) Applicant (for all designated States except US):
SHRINERS HOSPITALS FOR CHILDREN [US/US];
2900 Rocky Point Drive, Tampa, FL 33607 (US).

(72) Inventors; and

(75) Inventors/Applicants (for US only): **KOOB, Thomas, J.**
[US/US]; 7127 Wareham Drive, Tampa, FL 33647 (US).
PRINGLE, Douglas [US/US]; 2230 Village Court, Bran-
don, FL 33511 (US).

(74) Agent: **MYERS BIGEL SIBLEY & SAJOVEC, P.A.;**
Myers Bigel Sibley & Sajovec, P.A., P.O. Box 37428,
Raleigh, NC 27627 (US).

(81) Designated States (unless otherwise indicated, for every kind of national protection available): AE, AG, AL, AM, AO, AT, AU, AZ, BA, BB, BG, BH, BR, BW, BY, BZ, CA, CH, CN, CO, CR, CU, CZ, DE, DK, DM, DO, DZ, EC, EE, EG, ES, FI, GB, GD, GE, GH, GM, GT, HN, HR, HU, ID, IL, IN, IS, JP, KE, KG, KN, KP, KR, KZ, LA, LC, LK, LR, LS, LT, LU, LY, MA, MD, ME, MG, MK, MN, MW, MX, MY, MZ, NA, NG, NI, NO, NZ, OM, PG, PH, PL, PT, RO, RS, RU, SC, SD, SE, SG, SK, SL, SM, SV, SY, TJ, TM, TN, TR, TT, TZ, UA, UG, US, UZ, VC, VN, ZA, ZM, ZW.

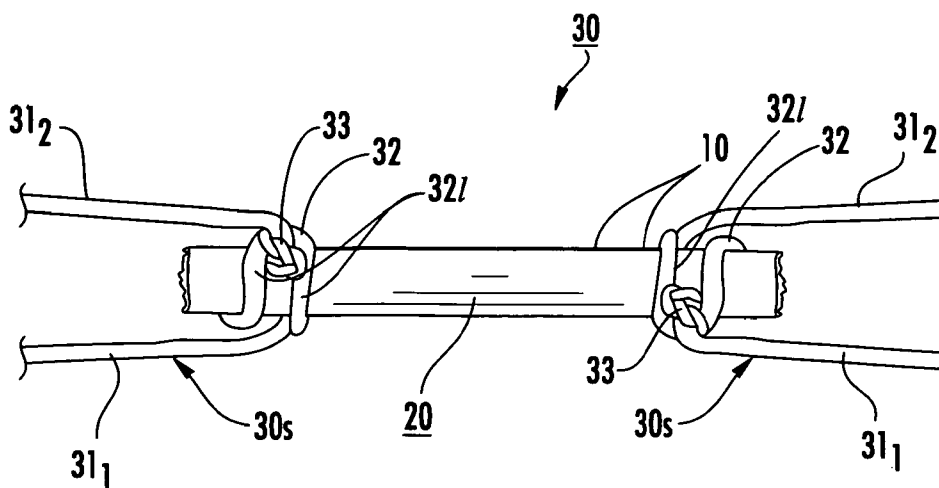
(84) Designated States (unless otherwise indicated, for every kind of regional protection available): ARIPO (BW, GH, GM, KE, LS, MW, MZ, NA, SD, SL, SZ, TZ, UG, ZM, ZW), Eurasian (AM, AZ, BY, KG, KZ, MD, RU, TJ, TM), European (AT, BE, BG, CH, CY, CZ, DE, DK, EE, ES, FI, FR, GB, GR, HU, IE, IS, IT, LT, LU, LV, MC, MT, NL, PL, PT, RO, SE, SI, SK, TR), OAPI (BF, BJ, CF, CG, CI, CM, GA, GN, GQ, GW, ML, MR, NE, SN, TD, TG).

Published:

- with international search report
- before the expiration of the time limit for amending the claims and to be republished in the event of receipt of amendments

(88) Date of publication of the international search report:
4 June 2009

(54) Title: TENDON OR LIGAMENT BIOPROSTHESES AND METHODS OF MAKING SAME



(57) Abstract: The disclosure describes implantable bioprosthesis having an implantable construct with a multi-fiber array of collagen fibers attached together.

WO 2008/085493 A3

INTERNATIONAL SEARCH REPORT

International application No
PCT/US2007/026365

A. CLASSIFICATION OF SUBJECT MATTER
 INV. A61L27/24 A61L27/34 A61F2/08

According to International Patent Classification (IPC) or to both national classification and IPC

B. FIELDS SEARCHED
 Minimum documentation searched (classification system followed by classification symbols)
 A61L A61F A61B

Documentation searched other than minimum documentation to the extent that such documents are included in the fields searched

Electronic data base consulted during the international search (name of data base and, where practical, search terms used)
 EPO-Internal, WPI Data

C. DOCUMENTS CONSIDERED TO BE RELEVANT

Category*	Citation of document, with indication, where appropriate, of the relevant passages	Relevant to claim No.
X Y	EP 1 493 404 A (DEPUY MITEK INC [US]) 5 January 2005 (2005-01-05) page 2, paragraph 9 - page 3, paragraph 12 page 4, paragraph 24 page 5, paragraph 33 page 9, paragraph 61-63 example 1 claims 1-33 ----- -/--	1, 3-8, 11-19 2, 9, 10, 20-24

Further documents are listed in the continuation of Box C.

See patent family annex.

- * Special categories of cited documents :
- *A* document defining the general state of the art which is not considered to be of particular relevance
 - *E* earlier document but published on or after the international filing date
 - *L* document which may throw doubts on priority claim(s) or which is cited to establish the publication date of another citation or other special reason (as specified)
 - *O* document referring to an oral disclosure, use, exhibition or other means
 - *P* document published prior to the international filing date but later than the priority date claimed
 - *T* later document published after the international filing date or priority date and not in conflict with the application but cited to understand the principle or theory underlying the invention
 - *X* document of particular relevance; the claimed invention cannot be considered novel or cannot be considered to involve an inventive step when the document is taken alone
 - *Y* document of particular relevance; the claimed invention cannot be considered to involve an inventive step when the document is combined with one or more other such documents, such combination being obvious to a person skilled in the art.
 - *&* document member of the same patent family

Date of the actual completion of the international search 9 April 2009	Date of mailing of the international search report 23/04/2009
--	---

Name and mailing address of the ISA/ European Patent Office, P.B. 5818 Patentlaan 2 NL - 2280 HV Rijswijk Tel. (+31-70) 340-2040, Fax: (+31-70) 340-3016	Authorized officer Van den Bulcke, H
--	--

INTERNATIONAL SEARCH REPORT

International application No

PCT/US2007/026365

C(Continuation). DOCUMENTS CONSIDERED TO BE RELEVANT

Category*	Citation of document, with indication, where appropriate, of the relevant passages	Relevant to claim No.
Y	KOOB T J ET AL: "Material properties of polymerized NDGA-collagen composite fibers: development of biologically based tendon constructs" BIOMATERIALS, ELSEVIER SCIENCE PUBLISHERS BV., BARKING, GB, vol. 23, no. 1, 1 January 2002 (2002-01-01), pages 203-212, XP004322636 ISSN: 0142-9612 the whole document	2,9,10, 20-24
A	----- US 4 979 956 A (SILVESTRINI THOMAS A [US]) 25 December 1990 (1990-12-25) column 2, line 43 - column 3, line 1 column 4, lines 6-51 column 6, lines 23-26 claims 1-28	1-24
A	----- US 2003/100108 A1 (ALTMAN GREGORY H [US] ET AL ALTMAN GREGORY H [US] ET AL) 29 May 2003 (2003-05-29) page 6, paragraph 57 - page 7, paragraph 60 claims 81-104	1-24

INTERNATIONAL SEARCH REPORT

Information on patent family members

International application No

PCT/US2007/026365

Patent document cited in search report		Publication date	Patent family member(s)	Publication date
EP 1493404	A	05-01-2005	AU 2004202223 A1	13-01-2005
			CA 2472702 A1	30-12-2004
			JP 2005021685 A	27-01-2005
			US 2004267362 A1	30-12-2004
US 4979956	A	25-12-1990	AU 2448588 A	04-05-1989
			CA 1324550 C	23-11-1993
			DE 3884743 D1	11-11-1993
			DE 3884743 T2	27-01-1994
			DE 8813452 U1	15-12-1988
			EP 0314412 A1	03-05-1989
			ES 2043842 T3	01-01-1994
			JP 1146535 A	08-06-1989
			ZA 8808059 A	27-06-1990
			US 2003100108	A1
CA 2467195 A1	30-05-2003			
EP 1448765 A2	25-08-2004			
JP 2005529631 T	06-10-2005			
WO 03043486 A2	30-05-2003			
US 2005089552 A1	28-04-2005			