

(19) World Intellectual Property Organization
International Bureau



(43) International Publication Date
1 June 2006 (01.06.2006)

PCT

(10) International Publication Number
WO 2006/058143 A3

- (51) International Patent Classification:
A47D 13/10 (2006.01)
- (21) International Application Number:
PCT/US2005/042582
- (22) International Filing Date:
25 November 2005 (25.11.2005)
- (25) Filing Language: English
- (26) Publication Language: English
- (30) Priority Data:
60/631,462 29 November 2004 (29.11.2004) US
- (71) Applicant (for all designated States except US): WON-
DERLAND NURSERYGOODS CO., LTD.; 10f, No.
433, Fui Kwang Road, Neihu, Taipei 114 (TW).
- (71) Applicants and
- (72) Inventors: HARTENSTINE, Curtis, M. [US/US]; 20
Osprey Lane, Birdsboro, PA 19508 (US). SELLERS, Gre-
gory [US/US]; 113 Gap Road, Christiana, PA 17509 (US).
BEARUP, Adam; 402 South Miller Street, Shillington, PA
19607 (US).

- (74) Agent: MILLER, Larry, W.; Miller Law Group, PLLC,
25 Stevens Avenue, West Lawn, PA 19609 (US).
- (81) Designated States (unless otherwise indicated, for every
kind of national protection available): AE, AG, AL, AM,
AT, AU, AZ, BA, BB, BG, BR, BW, BY, BZ, CA, CH, CN,
CO, CR, CU, CZ, DE, DK, DM, DZ, EC, EE, EG, ES, FI,
GB, GD, GE, GH, GM, HR, HU, ID, IL, IN, IS, JP, KE,
KG, KM, KN, KP, KR, KZ, LC, LK, LR, LS, LT, LU, LV,
LY, MA, MD, MG, MK, MN, MW, MX, MZ, NA, NG, NI,
NO, NZ, OM, PG, PH, PL, PT, RO, RU, SC, SD, SE, SG,
SK, SL, SM, SY, TJ, TM, TN, TR, TT, TZ, UA, UG, US,
UZ, VC, VN, YU, ZA, ZM, ZW.
- (84) Designated States (unless otherwise indicated, for every
kind of regional protection available): ARIPO (BW, GH,
GM, KE, LS, MW, MZ, NA, SD, SL, SZ, TZ, UG, ZM,
ZW), Eurasian (AM, AZ, BY, KG, KZ, MD, RU, TJ, TM),
European (AT, BE, BG, CH, CY, CZ, DE, DK, EE, ES, FI,
FR, GB, GR, HU, IE, IS, IT, LT, LU, LV, MC, NL, PL, PT,
RO, SE, SI, SK, TR), OAPI (BF, BJ, CF, CG, CI, CM, GA,
GN, GQ, GW, ML, MR, NE, SN, TD, TG).

[Continued on next page]

(54) Title: INFANT SWING SEAT

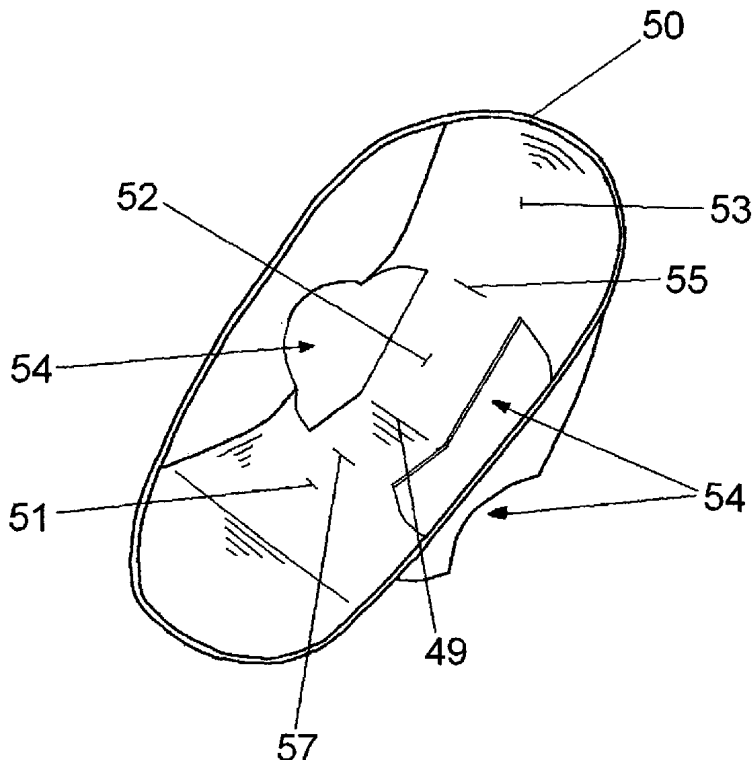


FIG. 4

(57) Abstract: The apparatus is an infant seat that has reduced depth for shipping and recline controls that permit control of the seat during the reclining adjustment. The seat is constructed so that the deepest part of the seat fits into the rest of the seat for packaging, but locks into its proper location for use. The preferred embodiment of the recline control uses a dial on a seat pivot fixture. The dial is pushed in to release the seat for reclining, but the dial is interconnected with the seat so that the dial maintains full control of the seat movement. An alternative recline control captures and releases a support wire at the backside of the seat.

WO 2006/058143 A3



Declarations under Rule 4.17:

- *as to the identity of the inventor (Rule 4.17(i))*
- *as to applicant's entitlement to apply for and be granted a patent (Rule 4.17(ii))*
- *as to the applicant's entitlement to claim the priority of the earlier application (Rule 4.17(iii))*

— *of inventorship (Rule 4.17(iv))*

Published:

— *with international search report*

(88) Date of publication of the international search report:

9 April 2009

INTERNATIONAL SEARCH REPORT

International application No.
PCT/US05/42582

A. CLASSIFICATION OF SUBJECT MATTER
 IPC: **A47D 13/10(2006.01)**

 USPC: **297/281;472/118**
 According to International Patent Classification (IPC) or to both national classification and IPC

B. FIELDS SEARCHED
 Minimum documentation searched (classification system followed by classification symbols)
 U.S. : 297/183.4,250.1,256.16,281,373,377,411.38,440.22,452.15; 472/118

Documentation searched other than minimum documentation to the extent that such documents are included in the fields searched

Electronic data base consulted during the international search (name of data base and, where practicable, search terms used)


C. DOCUMENTS CONSIDERED TO BE RELEVANT

Category *	Citation of document, with indication, where appropriate, of the relevant passages	Relevant to claim No.
X	US 5,102,196 A (KANEDA ET AL) 07 April 1992, (07.04.92), see figs. 13-15	1-6
X	US 5,286,086 A (GUNJI) 15 February 1994 (15.02.94), see figs. 4,5	1-6
Y	US 4,697,845 A (KAMMAN) 06 October 1987 (06.10.87), see figs. 1-5	7,10
Y	US 4,545,613 A (MARTEL ET AL) 08 October 1985 (08.10.85), see figs. 6-8	7,10
Y	US 4,858,997 A (SHUBIN) 22 August 1989 (22.08.89), see figs. 11,12	7,10
Y	US 4,371,206 A (JOHNSON JR) 01 February 1983 (01.02.83), see figs. 4-6	7,10
A	US 4,805,928 A (NAKAO ET AL) 21 February 1989 (21.02.89), see figs. 1-5	11-15

Further documents are listed in the continuation of Box C. See patent family annex.

* Special categories of cited documents:		
"A" document defining the general state of the art which is not considered to be of particular relevance	"T"	later document published after the international filing date or priority date and not in conflict with the application but cited to understand the principle or theory underlying the invention
"E" earlier application or patent published on or after the international filing date	"X"	document of particular relevance; the claimed invention cannot be considered novel or cannot be considered to involve an inventive step when the document is taken alone
"L" document which may throw doubts on priority claim(s) or which is cited to establish the publication date of another citation or other special reason (as specified)	"Y"	document of particular relevance; the claimed invention cannot be considered to involve an inventive step when the document is combined with one or more other such documents, such combination being obvious to a person skilled in the art
"O" document referring to an oral disclosure, use, exhibition or other means		
"P" document published prior to the international filing date but later than the priority date claimed	"&"	document member of the same patent family

Date of the actual completion of the international search 18 January 2008 (18.01.2008)	Date of mailing of the international search report 20 MAR 2008
---	--

Name and mailing address of the ISA/US Mail Stop PCT, Attn: ISA/US Commissioner for Patents P.O. Box 1450 Alexandria, Virginia 22313-1450 Facsimile No. (571) 273-3201	Authorized officer Peter R. Brown  Telephone No. 571-272-6853
---	--

INTERNATIONAL SEARCH REPORT

International application No.
PCT/US05/42582

C (Continuation). DOCUMENTS CONSIDERED TO BE RELEVANT		
Category *	Citation of document, with indication, where appropriate, of the relevant passages	Relevant to claim No.
A	US 4,892,356 A (PITTMAN ET AL) 09 January 1990 (09.01.90), see fig. 2	1-6

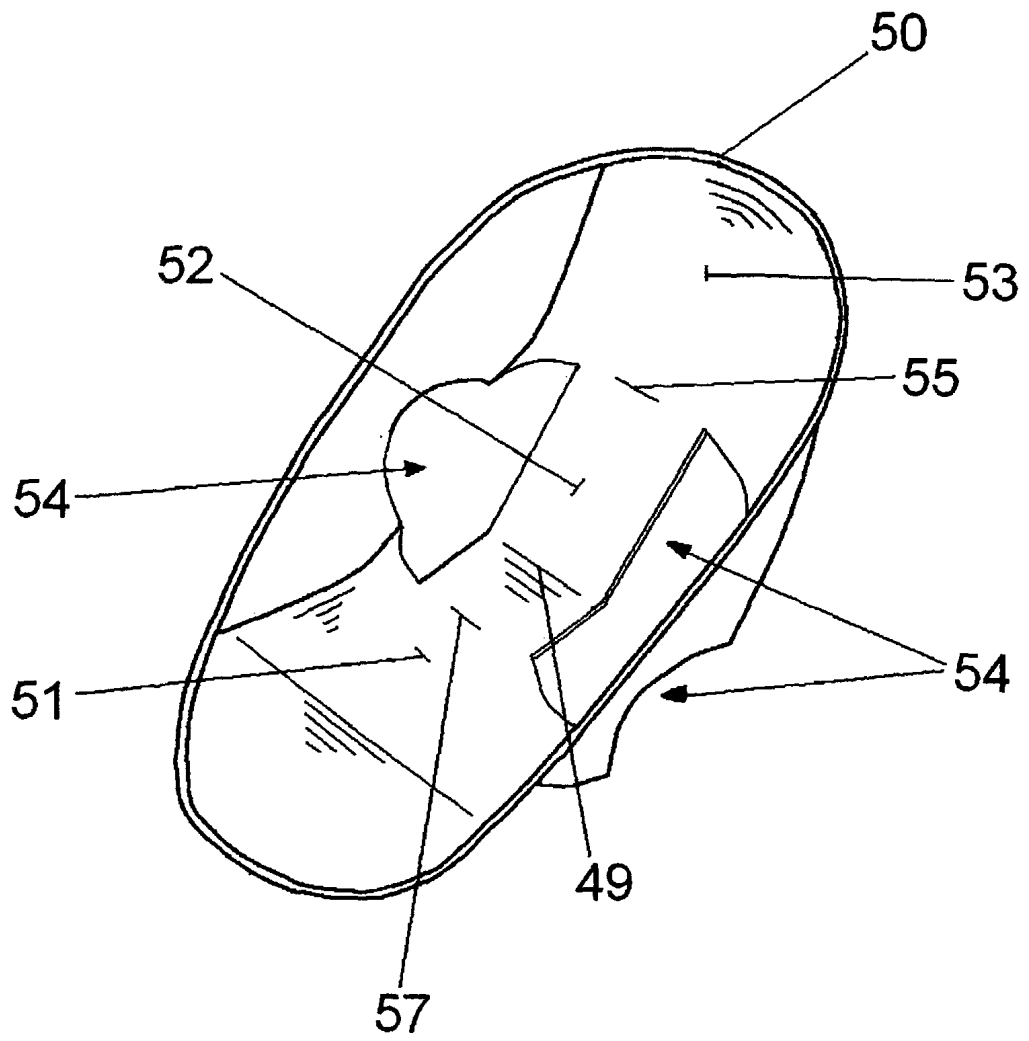


FIG. 4