



US00D330690S

# United States Patent [19]

[11] Patent Number: **Des. 330,690**

Miceli

[45] Date of Patent: **\*\* Nov. 3, 1992**

[54] **FRAME FOR MULTI-WHEELED VEHICLE**

4,623,167 11/1986 Matsubayashi et al. .... 280/282

[76] Inventor: **Ciro J. R. Miceli**, 15 Windridge St.,  
Aliso Viejo, Calif. 92656

4,662,467 5/1987 Arai et al. .... 280/282

4,735,275 4/1988 Tsukahara et al. .... 280/282

[\*\*] Term: **14 Years**

*Primary Examiner*—Wallace R. Burke

*Assistant Examiner*—Melody Brown

*Attorney, Agent, or Firm*—Allan M. Shapiro

[21] Appl. No.: **663,706**

[57] **CLAIM**

[22] Filed: **Mar. 4, 1991**

The ornamental design for a frame for multi-wheeled vehicle, as shown and described.

[52] U.S. Cl. .... **D12/107**

[58] Field of Search ..... **D12/107; 280/282, 267;**  
180/311, 312, 233, 315

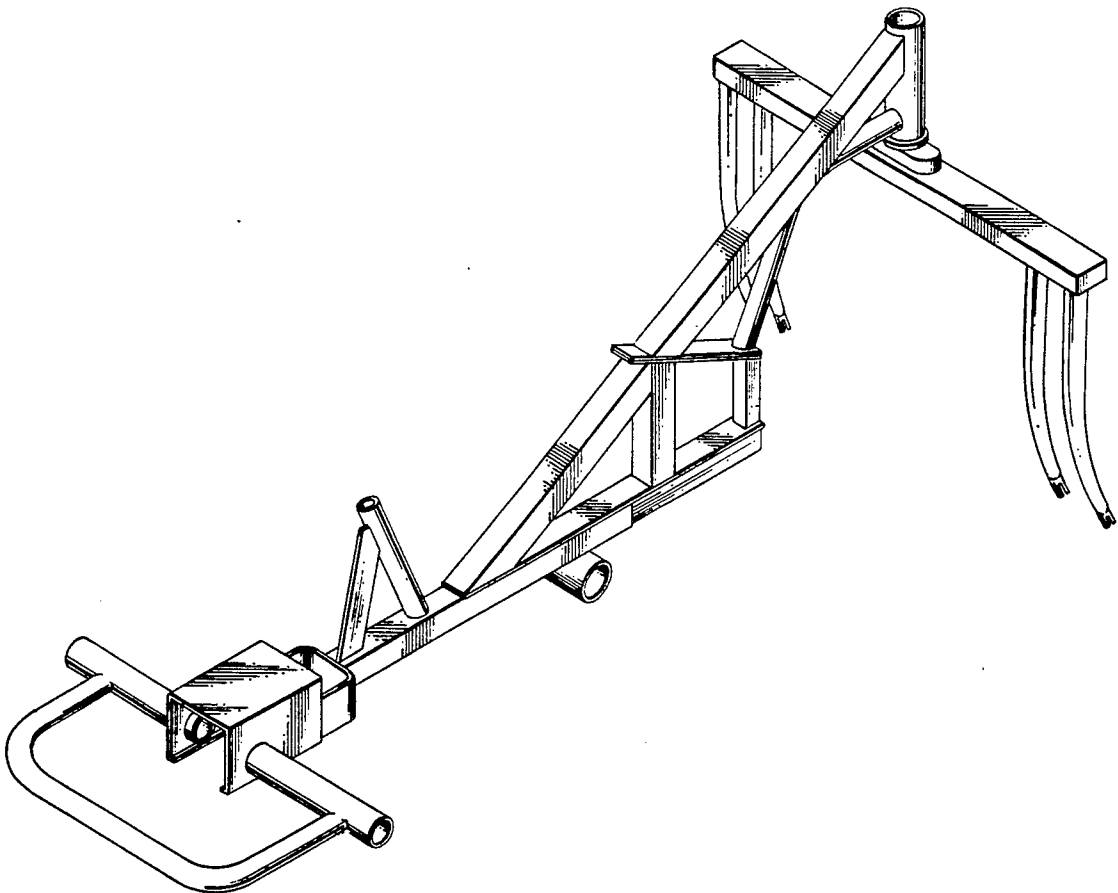
### DESCRIPTION

[56] **References Cited**

**FIG. 1** is a perspective view of a frame for multi-wheeled vehicle, showing my new design; **FIG. 2** is a side elevational view thereof; the opposite side is the mirror image thereof; and, **FIG. 3** is a bottom plan view thereof.

### U.S. PATENT DOCUMENTS

4,351,410 9/1982 Townsend ..... 280/267  
4,621,826 11/1986 Ziegler, Jr. .... 280/282



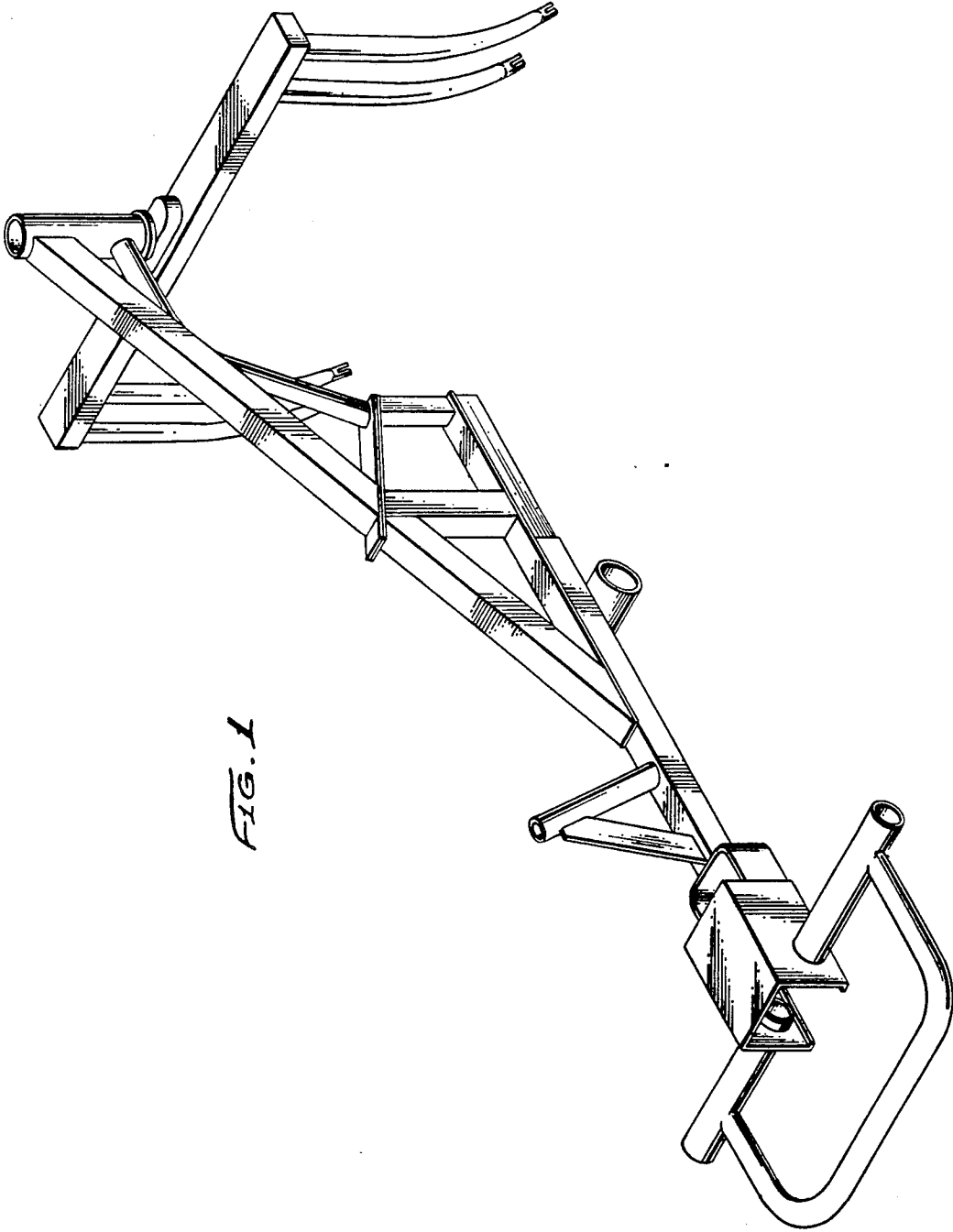


FIG. 1

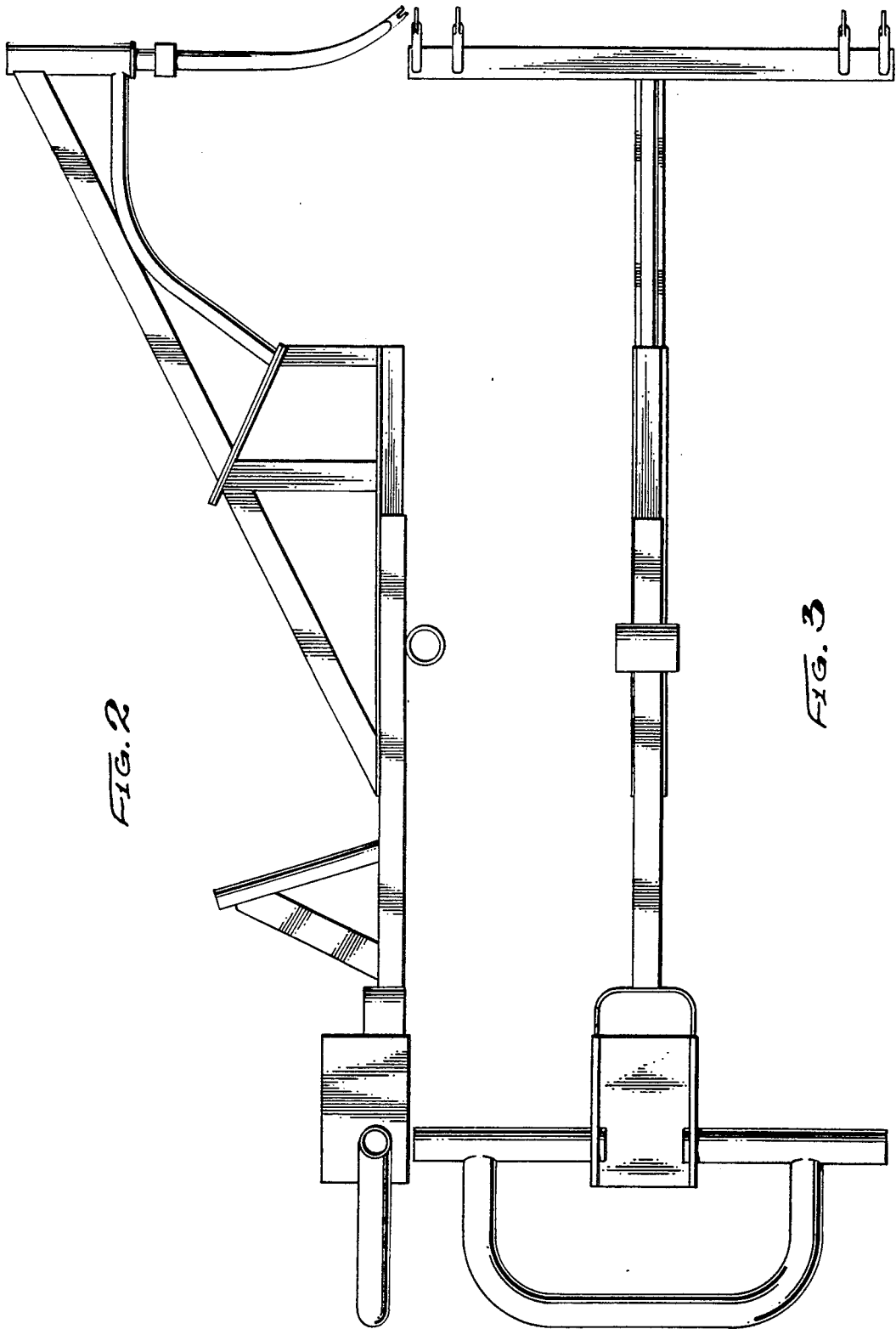


FIG. 2

FIG. 3