

- [54] MEAT TENDERIZER
- [75] Inventor: **Vladslav J. Jurida**, Toronto, Canada
- [73] Assignee: **Jurida Stamping & Mfg. Co. Ltd.**,
Mississauga, Canada
- [**] Term: **14 Years**
- [21] Appl. No.: **841,960**
- [22] Filed: **Oct. 13, 1977**
- [30] Foreign Application Priority Data
Sep. 20, 1977 [CA] Canada 2009773
- [51] Int. Cl. **D7-04**
- [52] U.S. Cl. **D7/106; D7/101;**
D24/36
- [58] Field of Search **D7/99, 106, 101, 41,**
D7/151X, 43; D64/18; 30/306, 307, 319

[56] **References Cited**

U.S. PATENT DOCUMENTS

448,482	3/1891	Ginter	30/306 X
520,173	5/1894	Wagner	30/307 X
866,106	9/1907	Baker	30/306 X
958,809	5/1910	Hawkins	D7/106 X
3,138,823	6/1964	Langner	99/485 X

Primary Examiner—Winifred E. Herrmann
Attorney, Agent, or Firm—Irving M. Weiner

[57] **CLAIM**
The ornamental design for a meat tenderizer, as shown and described.

DESCRIPTION
FIG. 1 is a perspective view of a meat tenderizer showing my new design;
FIG. 2 is a side elevational view thereof; and
FIG. 3 is a top or bottom plan view thereof.

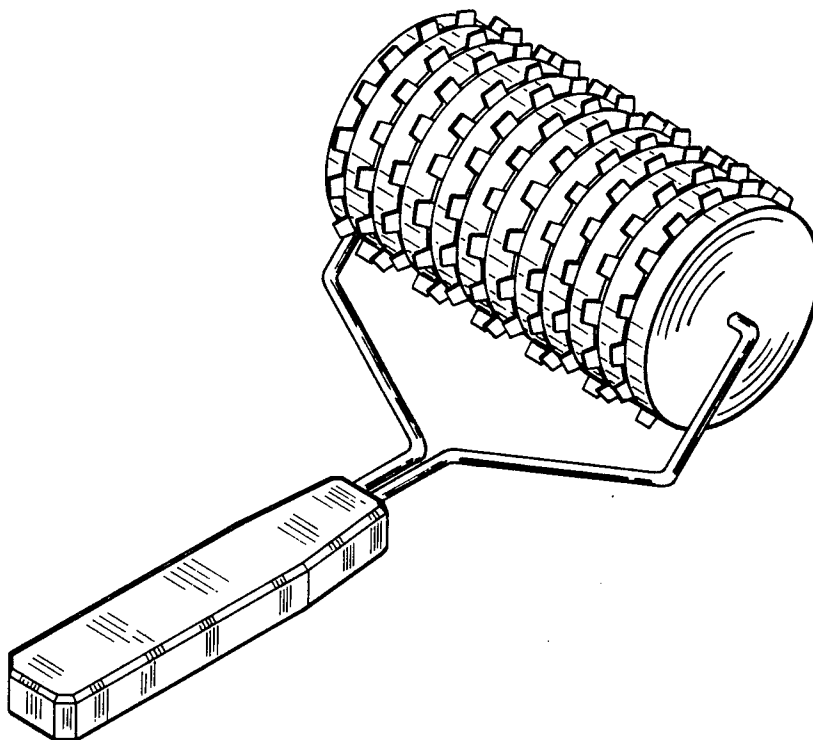


FIG.1.

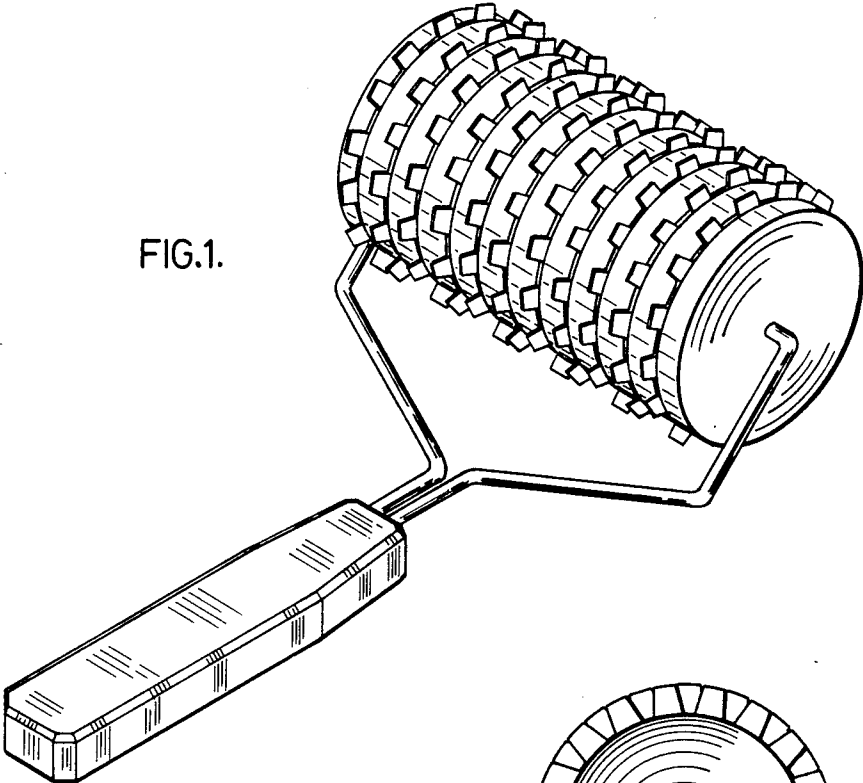


FIG. 2.

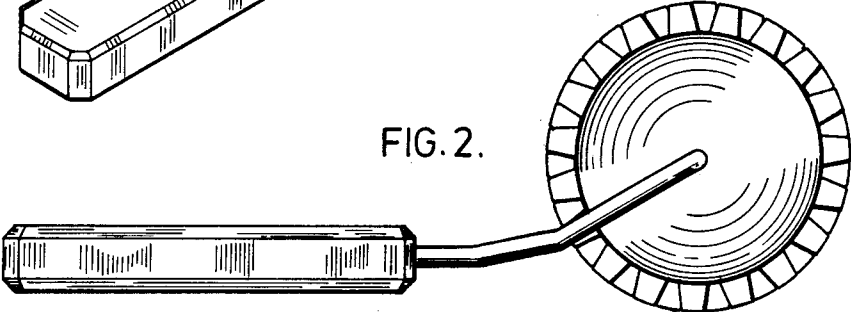


FIG. 3.

