



- (51) International Patent Classification:
A41D 13/11 (2006.01) A62B 23/02 (2006.01)
A62B 18/10 (2006.01)
- (21) International Application Number:
PCT/US2015/063589
- (22) International Filing Date:
3 December 2015 (03.12.2015)
- (25) Filing Language: English
- (26) Publication Language: English
- (30) Priority Data:
1421620.4 4 December 2014 (04.12.2014) GB
- (71) Applicant: **3M INNOVATIVE PROPERTIES COMPANY** [US/US]; 3M Center, Post Office Box 33427, Saint Paul, Minnesota 55133-3427 (US).
- (72) Inventors: **ABDULQADER, Reyad A.**; 3M Centre, Cain Road, Bracknell Berkshire RG12 8HT (GB). **MAY, James J.**; 19 Church Street, Warwick Warwickshire CV34 4AB

(GB). **FERNANDES, Mark A. J.**; 19 Church Street, Warwick, Warwickshire CV34 4AB (GB). **JENKINS, Daniel P.**; 19 Church Street, Warwick, Warwickshire CV34 4AB (GB).

(74) Agents: **GOVER, Melanie G.** et al.; 3M Center, Office of Intellectual Property Counsel, Post Office Box 33427, Saint Paul, Minnesota 55133-3427 (US).

(81) Designated States (unless otherwise indicated, for every kind of national protection available): AE, AG, AL, AM, AO, AT, AU, AZ, BA, BB, BG, BH, BN, BR, BW, BY, BZ, CA, CH, CL, CN, CO, CR, CU, CZ, DE, DK, DM, DO, DZ, EC, EE, EG, ES, FI, GB, GD, GE, GH, GM, GT, HN, HR, HU, ID, IL, IN, IR, IS, JP, KE, KG, KN, KP, KR, KZ, LA, LC, LK, LR, LS, LU, LY, MA, MD, ME, MG, MK, MN, MW, MX, MY, MZ, NA, NG, NI, NO, NZ, OM, PA, PE, PG, PH, PL, PT, QA, RO, RS, RU, RW, SA, SC, SD, SE, SG, SK, SL, SM, ST, SV, SY, TH, TJ, TM, TN, TR, TT, TZ, UA, UG, US, UZ, VC, VN, ZA, ZM, ZW.

[Continued on next page]

(54) Title: FLAT-FOLD RESPIRATOR

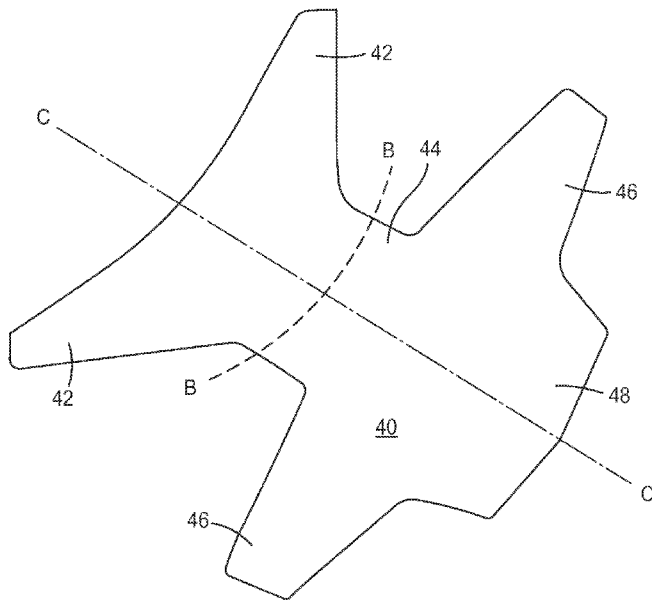


FIG. 8

(57) Abstract: A personal respiratory protection device (10) comprising an upper panel (18), a central panel (16), and a lower panel (20), the central panel (16) being separated from each of the upper and lower panels (18) by a first and second fold (36), seam, weld (76) or bond, respectively, such that device is capable of being folded flat for storage along the first and second fold (36), seam, weld (76) or bond and opened to form a cup-shaped air chamber over the nose and mouth of the wearer when in use, wherein the lower panel (20) includes a stiffening sheet (40) which has a longitudinal crease line, wherein the stiffening sheet (40) is folded about the longitudinal crease line when the device is in use.

WO 2016/090072 A1



(84) Designated States (*unless otherwise indicated, for every kind of regional protection available*): ARIPO (BW, GH, GM, KE, LR, LS, MW, MZ, NA, RW, SD, SL, ST, SZ, TZ, UG, ZM, ZW), Eurasian (AM, AZ, BY, KG, KZ, RU, TJ, TM), European (AL, AT, BE, BG, CH, CY, CZ, DE, DK, EE, ES, FI, FR, GB, GR, HR, HU, IE, IS, IT, LT, LU, LV, MC, MK, MT, NL, NO, PL, PT, RO, RS, SE,

SI, SK, SM, TR), OAPI (BF, BJ, CF, CG, CI, CM, GA, GN, GQ, GW, KM, ML, MR, NE, SN, TD, TG).

Published:

— *with international search report (Art. 21(3))*

Flat-Fold Respirator

Field

5 The present invention relates to personal respiratory protection devices, known as respirators or face masks, which are capable of being folded flat during storage and forming a cup-shaped air chamber over the mouth and nose of a wearer during use.

Background

10 Filtration respirators or face masks are used in a wide variety of applications when it is desired to protect a human's respiratory system from particles suspended in the air or from unpleasant or noxious gases. Generally such respirators or face masks may come in a number of forms but two of the most common are a molded cup-shaped form or a flat-folded form. The flat-folded form has advantages in that it can be carried in a wearer's pocket until needed and re-folded flat to keep the inside clean between wearings.

15 Such respiratory devices include, for example, respirators, surgical masks, clean room masks, face shields, dust masks, breath warming masks, and a variety of other face coverings.

20 Flat-fold respirators are typically formed from a sheet filter medium which is folded or joined to form two or more panels. The panels are opened out prior to or during the donning process to form the air chamber. Often an exhalation valve is provided on one of the panels in order to reduce the respiratory effort of exhaling.

25 It is common for the user of the respirator to be wearing additional safety equipment such as goggles, gloves or protective clothing. This can impair the ability of the user to efficiently don the respirator. This can reduce the effectiveness of the respirator due to impaired fit or comfort.

It is also recognized that at times the user holds the outer edges of the respirator during the donning procedure. This causes the user to touch the inside surface of the respirator. This can be disadvantageous in certain environments such as surgical use.

30 Furthermore it is recognized that the adequate opening of the respirator prior to donning affects the ease of donning and the perceived comfort of the wearer once the respirator is in position. There is therefore a perceived need to improve the ease of opening and donning of the respirator. Similarly there is a perceived need to reduce the likelihood that the internal surface of the respirator is handled during the donning and doffing the respirator.

It is also known that the lower panel of a three-panel respirator may adopt a concaved position causing the wearer difficulty in reorienting the panel. The main cause of the lower panel collapsing in this way is its compliant structure.

5 However, in order for the product to provide adequate comfort and fit to the user, all the web layers of the lower panel must conform to the face without areas of heightened pressure or irritation, that is to say must have a degree of compliancy. Thus there is a conflicting set of design requirements; the material must be sufficiently compliant to comfort and fit, and yet sufficiently rigid to prevent the lower panel from collapsing.

10 It is an object of the present invention to at least mitigate the above problems by providing a personal respiratory protection device which opens effectively and is easier to open and don.

Summary

15 Accordingly there is provided a personal respiratory protection device comprising:
an upper panel,
a central panel, and
a lower panel,

20 the central panel being separated from each of the upper and lower panels by a first and second fold, seam, weld or bond, respectively, such that device is capable of being folded flat for storage along the first and second fold, seam, weld or bond and opened to form a cup-shaped air chamber over the nose and mouth of the wearer when in use,

wherein the lower panel includes a stiffening sheet which has a longitudinal crease line, and

25 wherein the stiffening sheet is folded about the longitudinal crease line when the device is in use.

30 Advantageously, the stiffening sheet provides an area of localised increased stiffness whilst leaving the rigidity of the surrounding lower panel largely unaffected. In this way the stiffening sheet is able to mitigate the risk of the lower panel collapsing whilst not unduly impairing the comfort and fit performance of the respirator. The provision of a stiffening sheet with a longitudinal crease allows the concaved root of the crease to be congruent with the concaved shape formed by the lower panel in use about an imagery center line of the respirator.

Preferably, the stiffening sheet has a lateral crease line and is folded about the lateral crease line when the device is in its flat folded configuration.

Advantageously, this feature allows the lower panel to easily folded, making storage simpler and easier for the user.

Preferably, the lateral crease line and longitudinal crease line are perpendicular to one another.

5 Preferably, the longitudinal crease line is coexistent with a longitudinal centerline of the device.

Preferably, the opening of the device by a user causes the unfolding of the stiffening sheet about the lateral crease line.

10 Preferably, the opening of the device by a user causes the stiffening sheet to be moved into an overcentre position about the longitudinal crease line.

Preferably, the stiffening sheet forms a semi-rigid V-shape when the device is open and the stiffening sheet is in an overcentre position about the longitudinal crease line

Advantageously, the resulting open V-like section imparts additional rigidity to the lower panel over and above that provided by the inherent stiffness of the sheet.

15 Preferably, the device has a multi-layered structure that comprises a first inner cover web, a filtration layer that comprises a web that contains electrically-charged microfibers, and a second outer cover web, the first and second cover webs being disposed on first and second opposing sides of the filtration layer, respectively, wherein the nose conforming element is attached to the second cover web.

20 Preferably, the device further includes a headband that comprises an elastomeric material, the headband being secured to the central mouth panel.

Preferably, the device further comprises an exhalation valve that is disposed on the central panel.

25 Preferably, the lower panel has a graspable tab attached to the lower panel proximate the longitudinal crease line, the tab being graspable in use to open the device.

More preferably the tab is attached to the lower panel proximate the lateral crease line.

30 These features allow the tab to act on the lower panel in such a manner as to most effectively bring the lower panel into the overcentre position about the longitudinal crease line.

Detailed Description

The invention will now be described, by way of example only, in which:

Figure 1 is a front view of a personal respiratory protection device of the current invention in its flat-fold configuration;

Figure 2 is a rear view of the personal respiratory protection device of Figure 1 in its flat-fold configuration;

Figure 3 is a cross-section of the personal respiratory protection device shown in Figure 1 taken along line III-III in Figure 2;

5 Figure 4 is a front view of the personal respiratory protection device of Figure 1 shown in its open configuration;

Figure 5 is a side view of the personal respiratory protection device of Figure 1 shown in open ready-to-use configuration;

10 Figure 6 is a rear view of the personal respiratory protection device of Figure 1 shown in its open configuration;

Figure 7 is a cross-sectional view of the personal respiratory protection device of Figure 1 shown in its intermediate configuration with the open configuration non-cross-sectioned side view shown in dotted lines;

15 Figure 8 is a detailed top perspective view of the stiffening panel of the respirator of Figure 1;

Figure 9 is a front perspective view of the personal respiratory protection device of Figure 1 shown in its open configuration on the face of a user and being held by a user;

Figure 10 is a detailed front perspective view of the valve of the personal respiratory protection device of Figure 1;

20 Figure 11 is a detailed front perspective view of an alternative embodiment of the valve of the personal respiratory protection device of Figure 1;

Figure 12 is a detailed cross-sectional view of part of the personal respiratory protection device of Figure 1 taken along line XI-XI in Figure 2 and showing attachment of the headband to the main body with the device in its flat-fold configuration.;

25 Figure 13 is a detailed cross-sectional view of part of the personal respiratory protection device of Figure 1 taken similar to Figure 12 and showing attachment of the headband to the main body with the device in its open configuration, and

Figure 14 is a detailed front perspective view of the nosepiece of the personal respiratory protection device of Figure 1.

30 Figure 1 shows a personal respiratory protection device in the form of a respirator (also commonly referred to as a mask) indicated generally at 10. The respirator 10 is a flat-fold respirator which is shown in Figures 1 to 3 in its stored (also known as flat-fold or flat-folded) configuration. In this configuration the respirator is substantially flat so that it may be readily stored in the pocket of a user.

The respirator 10 has a main body indicated generally at 12 and a headband 14 formed of two sections 14A, 14B. The main body 12 has a central panel 16, an upper panel 18 and a lower panel 20. In use, the upper panel 18 and lower panel 20 are opened outwardly from the central panel 16 to form a cup-shaped chamber 22 (shown in Figure 6).
5 Once opened, the respirator is then applied to the face (as shown in Figure 9) as will be described in further detail shortly.

The respirator 10 is formed from folded and welded portions of multi-layered filter material to form three portions or panels, as will be discussed in further detail below. The respirator 10 has a multi-layered structure that comprises a first inner cover web, a
10 filtration layer that comprises a web that contains electrically-charged microfibers, and a second outer cover web, the first and second cover webs being disposed on first and second opposing sides of the filtration layer, respectively.

The filter material may be comprised of a number of woven and nonwoven materials, a single or a plurality of layers, with or without an inner or outer cover or scrim.
15 Preferably, the central panel 16 is provided with stiffening means such as, for example, woven or nonwoven scrim, adhesive bars, printing or bonding. Examples of suitable filter material include microfiber webs, fibrillated film webs, woven or nonwoven webs (e.g., airlaid or carded staple fibers), solution-blown fiber webs, or combinations thereof. Fibers useful for forming such webs include, for example, polyolefins such as polypropylene,
20 polyethylene, polybutylene, poly(4-methyl-1-pentene) and blends thereof, halogen substituted polyolefins such as those containing one or more chloroethylene units, or tetrafluoroethylene units, and which may also contain acrylonitrile units, polyesters, polycarbonates, polyurethanes, rosin-wool, glass, cellulose or combinations thereof.

Fibers of the filtering layer are selected depending upon the type of particulate to be
25 filtered. Proper selection of fibers can also affect the comfort of the respiratory device to the wearer, e.g., by providing softness or moisture control. Webs of melt blown microfibers useful in the present invention can be prepared as described, for example, in Wentz, Van A., "Superfine Thermoplastic Fibers" in Industrial Engineering Chemistry, Vol. 48, 1342 et seq. (1956) and in Report No. 4364 of the Naval Research Laboratories, published May 25,
30 1954, entitled "Manufacture of Super Fine Organic Fibers" by Van A. Wentz et al. The blown microfibers in the filter media useful on the present invention preferably have an effective fiber diameter of from 3 to 30 micrometers, more preferably from about 7 to 15 micrometers, as calculated according to the method set forth in Davies, C.N., "The

Separation of Airborne Dust Particles", Institution of Mechanical Engineers, London, Proceedings 1B, 1952.

Staple fibers may also, optionally, be present in the filtering layer. The presence of crimped, bulking staple fibers provides for a more lofty, less dense web than a web consisting solely of blown microfibers. Preferably, no more than 90 weight percent staple fibers, more preferably no more than 70 weight percent are present in the media. Such webs containing staple fiber are disclosed in U.S. Pat. No. 4,118,531 (Hauser).

Bicomponent staple fibers may also be used in the filtering layer or in one or more other layers of the filter media. The bicomponent staple fibers which generally have an outer layer which has a lower melting point than the core portion can be used to form a resilient shaping layer bonded together at fiber intersection points, e.g., by heating the layer so that the outer layer of the bicomponent fibers flows into contact with adjacent fibers that are either bicomponent or other staple fibers. The shaping layer can also be prepared with binder fibers of a heat-flowable polyester included together with staple fibers and upon heating of the shaping layer the binder fibers melt and flow to a fiber intersection point where they surround the fiber intersection point. Upon cooling, bonds develop at the intersection points of the fibers and hold the fiber mass in the desired shape. Also, binder materials such as acrylic latex or powdered heat actuable adhesive resins can be applied to the webs to provide bonding of the fibers.

Electrically charged fibers such as are disclosed in U.S. Pat. No. 4,215,682 (Kubik et al.), U.S. Pat. No. 4,588,537 (Klasse et al.) or by other conventional methods of polarizing or charging electrets, e.g., by the process of U.S. Pat. No. 4,375,718 (Wadsworth et al.), or U.S. Pat. No. 4,592,815 (Nakao), are particularly useful in the present invention. Electrically charged fibrillated-film fibers as taught in U.S. Pat. No. RE. 31,285 (van Turnhout), are also useful. In general the charging process involves subjecting the material to corona discharge or pulsed high voltage.

Sorbent particulate material such as activated carbon or alumina may also be included in the filtering layer. Such particle-loaded webs are described, for example, in U.S. Pat. No. 3,971,373 (Braun), U.S. Pat. No. 4,100,324 (Anderson) and U.S. Pat. No. 4,429,001 (Kolpin et al.). Masks from particle loaded filter layers are particularly good for protection from gaseous materials.

At least one of the central panel 16, upper panel 18 and lower panel 20 of the respiratory device of the present invention must comprise filter media. Preferably at least two of the central panel 16, upper panel 18 and lower panel 20 comprise filter media and

all of the central panel 16, upper panel 18 and lower panel 20 may comprise filter media. The portion(s) not formed of filter media may be formed of a variety of materials. The upper panel 18 may be formed, for example, from a material which provides a moisture barrier to prevent fogging of a wearer's glasses. The central panel 16 may be formed of a transparent material so that lip movement by the wearer can be observed.

The central panel 16 has a curvilinear upper peripheral edge 24 which is coexistent with an upper bond 23 between the central panel 16 and the upper portion 18. A curvilinear lower peripheral edge 26 is coexistent with a lower bond 25 between the central panel 16 and the lower panel 20. The bonds 23, 25 take the form of ultrasonic welds but may alternatively be folds in the filter material or alternative methods of bonding. Such alternative bonds may take the form of adhesive bonding, stapling, sewing, thermomechanical connection, pressure connection, or other suitable means and can be intermittent or continuous. Any of these welding or bonding techniques leaves the bonded area somewhat strengthened or rigidified.

The bonds 23, 25 form a substantially airtight seal between the central panel 16 and the upper and lower panels 18, 20, respectively and extend to the longitudinal edges 27 of the respirator where the central upper, lower panels 16, 18, 20 collectively form headband attachment portions in the form of lugs 31, 33. The central panel 16 carries an exhalation valve 28 which reduces the pressure drop across the filter material when the user exhales. The valve 28 has grip portions 29 which ease the opening, donning and doffing of the respirator as will be described in further detail below.

The upper portion 18 carries a nose conforming element in the form of nosepiece 30 which conforms to the face of the user to improve the seal formed between the respirator and the face of the user. The nosepiece 30 is arranged centrally at the upper outer periphery 38 of the upper portion 18 and is shown in section in Figure 3 and in greater detail in Figure 14. The nosepiece operates in conjunction with a nose pad 35 which is shown in Figure 7 to be located on the opposite side of the upper panel 18 to the nosepiece 30 and serves the propose of softening the point of contact between the nose and the upper panel 18.

Turning now to Figure 3, the arrangement of the features of the respirator 10 in its stored configuration is shown in greater detail. The nosepiece 30 is shown positioned on the outer surface of the upper portion 18. The upper portion 18 is shown at the rearward side of the folded respirator 10 overlapping the lower panel 20. The lower panel 20 is folded about a lateral fold 36 (shown as a long dotted line in Figure 2). The lateral fold 36

divides the lower panel 20 into an outer section 40 and an inner section 42. Attached to the lower panel 20 is a tab 32 which assists in the opening and donning of the respirator as will be described in further detail below. The tab 32 has a base which is attached to an interior portion of the exterior surface lower panel 20 (that is to say inwardly of a lower outer periphery 50 (as shown in Figure 6) and the lower bond 25) at a position proximate the lateral fold 36 and ideally attached at the fold 36 as shown in Figure 3. The positioning of the tab 32 may vary within 10mm either side of the lateral fold. The width of the tab 32 at its point of attachment to the lower panel 20 is 15 mm although this width may vary between 10 mm and 40 mm.

Figures 4, 5 and 6 show the respirator 10 in its open configuration. The central panel 16 is no longer flat as shown in Figures 1 to 3 but is now curved rearwardly from the valve 28 to the lugs 31, 33. The shape of this curve approximately conforms to the mouth area of the face of the user. The upper portion 18 is pivoted about the curvilinear upper peripheral edge 24 and is curved to form a peak which matches the shape of the nose of the user. Similarly, the lower panel 20 is pivoted about the curvilinear lower peripheral edge 24 to form a curve which matches the shape of the neck of the user.

The opening of the respirator 10 between the folded configuration shown in Figures 1 to 3 and the open configuration shown in Figures 4 to 6 will now be described in greater detail with reference to Figure 7.

Figure 7 shows a cross-section of the respirator 10 sectioned along the same line as Figure 3 but with the respirator shown in an intermediate configuration. Dotted lines show the respirator in the open configuration for comparison.

To open and don the respirator, the user first grips the grip portions 29 of the valve 28 (see Figure 9). With the other hand the user takes hold of the tab 32 and pulls the tab 32 in direction A as indicated in Figure 7 in order to apply an opening force to the valley side of the lateral fold 36. The tab may be textured to improve grip or may be coloured to better distinguish from the main body of the respirator. This opening force causes the fold 36 to move rearwardly and downwardly with respect to the central panel 16. This causes the lower panel 20 to pivot about the the curvilinear lower peripheral edge 24. Simultaneously, load is transferred from the base of the tab 32 to the lugs 31, 33. This pulls the lugs 31, 33 inwardly causing the central panel 16 to curve. The curvature of the central panel 16 in turn applies a load (primarily via the lugs 31, 33) to the upper portion 18. This causes the longitudinal centre of the upper portion 18 to elevate as shown in Figures 6 and 7.

As the user continues to pull the tab 32 beyond the intermediate position shown in Figure 7 the lugs 31, 33 continue to move closer to one another as the central panel 16 become increasingly curved. This in turn causes the continued upward movement of the upper portion 18 and downward movement of the lower panel 20 towards the open position (dotted lines in Figure 7). In this way the tab 32 improves the opening mechanism of the respirator by ensuring that the load applied by the user to open the respirator 10 is most effectively and efficiently deployed to open the respirator 10.

The lower panel 20 is shown to include a stiffening sheet in the form of panel 40 (shown in long dotted lines). The stiffening panel 40 forms part of the multilayered filter material and is formed from material well known in the art for its stiffening properties. The stiffening panel 40 is approximately hour-glass shaped and is shown in greater detail in Figure 8 to include a first pair of wings 42, a waist portion 44, a second pair of wings 46 and a front section 48. The front section 48 is coexistent with the lower outer periphery (as shown in Figure 6) of the lower panel 20 and the waist section is coexistent with the lateral fold 36. When the respirator 10 is in its folded configuration, the stiffening panel 40 is folded along a lateral crease indicated at line B-B. As the respirator 10 opens from the folded position as described above, the stiffening panel 40 opens out about lateral crease line B-B. As the respirator approaches the open configuration (as shown in Figures 4 to 6) the fold along lateral crease line B-B flattens out and the stiffening panel curves about a longitudinal crease indicated at line C-C. The curving of the panel 40 along longitudinal crease line C-C prevents the folding about lateral crease line B-B which gives the stiffening panel 40 and thereby lower panel 20 additional rigidity. This additional rigidity is at least in part imparted by the stiffening sheet 40 folding about longitudinal crease line C-C as the respirator 10 opens from a concave external angle to a convex external angle, that is to say a mountain fold is formed when the fold goes overcentre about the longitudinal crease line C-C. This in turn helps to prevent the collapse of the lower panel 20 and thus improves the conformity of the lower panel 20 to the chin area of the face.

Once the respirator 10 is open, the user is able to position the open cup-shaped air chamber of the respirator over the face and position the headbands as shown in Figure 9 in order to don the respirator.

In order to more readily don and doff the respirator 10, the respirator is provided with a valve 28 with grip portions 29 which are shown in greater detail in Figure 10. The valve 28 is adhered to the central portion using an adhesive such as that commercially available under the trade designation 3M™ Scotch-Weld™ Hot Melt Spray Adhesive

61113M™. The valve 28 has side walls 51 which include apertures 52 to allow the exhaled air to pass through the valve 28. The side walls 51 have a curved form with an inwardly extending mid-portion and outwardly extending base 54 and upper section 56. Arranged on a top surface 58 of the valve 28 are upwardly extending ridges 60 which carry outwardly extending ribs 62.

The curved side walls 51 act as a grip region 29 since the curves match the curvature of the fingers of the user. The performance of the grip region is improved by the provision of the ridges 60 which extends the grip region. Performance is further improved by the provision of the ribs 62 which make the grip region 29 easier to grip and hold. The curved side walls 51, ridges 60 ribs 62 individually and collectively form an indicia to the user that the grip region 29 is to be gripped in order to open and don the respirator as described above.

Figure 10 shows an alternative embodiment of valve 28' which differs from valve 28 in that it has taller ridges 60'. It is conceivable within the scope of the invention that other forms of grip region could act as indicia to the user, for example a textured or colored surface to the side walls 50, ridges 60 and/or ribs 62.

It will be appreciated that whilst such a grippable valve 28, 28' is described with reference to a three panel (central, upper and lower panel 20), flat-fold respirator 10, it will be appreciated that the valve 28, 28' could be equally applied to other respirators including cup respirators.

Turning now to Figures 11 and 12, the attachment of the headband 14 to the headband attachment lug 31, 33 is shown in greater detail. The headband 14 is attached to the main body 12 by a head band module indicated generally at 70. The module 70 has a headband 14 which is bonded on its upper side to an upper tab 72 and on its lower side to a lower tab 74. The tabs 72, 74 are formed of a non-woven material used to form the filter material described above. The non-woven material tabs 72, 74 are bonded to the headband 14 using a known adhesive 78 such as that commercially available under the trade designation 3M™ Scotch-Weld™ Hot Melt Spray Adhesive 6111.

The module 70 is then ultrasonically welded to the lug 31, 33 to form a weld 76 between the lower tab 74 and the main body 12.

In Figure 11 the head band module is shown with the respirator in its folded position. As the respirator 10 is opened the headband becomes stretched and pulls outwardly on the lugs 31, 33.

In Figure 12 the head band module is shown with the respirator in its open position. The stretching of the headband 14 causes the module 70 to curve which leads to the lower tab 74 being held in tension. This causes a high load to act at the point of intersection D of the lower tab 74 and the lug 31, 33. However, the weld 76 is relatively strong in peel mode (that is to say the extreme tension load applied to the edge of the weld at point D by the stretching of the headband). This provides an improvement over prior art attachment techniques which place an adhesive bond in peel mode rather than a weld which is far stronger in peel than an adhesive.

Turning now to Figure 14, the nosepiece 30 is shown in greater detail to have a resiliently flexible central portion 80 and first and second rigid outer portions 82 extending outwardly from the central portion 80. The central portion 80 is substantially flat when the respirator is in the flat fold configuration. The central portion 80 is approximately 20mm wide and 8mm deep. Each of the outer portions 80 has a wing which defines a concave elliptical bowl having an outwardly extending major axis X and upwardly extending minor axis Z. Each elliptical bowl has a nadir indicated generally at 84 and positioned approximately equidistant between a centerline of the nosepiece 30 and an outer edge 86 of the wings, the nadir being positioned 26 mm from the centerline of the nosepiece 30. The elliptical bowl gives the outer portions 82 rigidity whilst the flat central portion 80 is able to flex under load. This allows the central portion 80 to flex over the bridge of the nose of the user whilst the rigidity of the outer portions 82 and the varying point of contact offered by the curved profile of the rigid portions offers a close fit between the respirator and the cheek of the user. These features of the nosepiece 30 therefore improve the fit and comfort of the respirator 10 over prior art respirators.

The nosepiece 30 is formed using a known vacuum casting technique using a polymeric material such as polyethylene. Such a material gives the required flexibility in the central portion 80 whilst having sufficient strength to give the outer portions 82 the required rigidity. Such a material also allows the nosepiece to return to its flat position which allows the respirator 10 to be removed and placed in the pocket of the user without the requirement to flatten the nosepiece.

It will be appreciated that certain features described herein could be used in isolation or in conjunction for the benefit of the invention. For example, it is envisaged that any one or more of the following features could be advantageously combined with the current invention:

Tab 32

Grippable valve 28

Headband attachment module 70

Nosepiece 30

Claims

1. A personal respiratory protection device comprising:
an upper panel,
5 a central panel, and
a lower panel,
the central panel being separated from each of the upper and lower panels by a first
and second fold, seam, weld or bond, respectively, such that device is capable of being
folded flat for storage along the first and second fold, seam, weld or bond and opened to
10 form a cup-shaped air chamber over the nose and mouth of the wearer when in use,
wherein the lower panel includes a stiffening sheet which has a longitudinal crease
line, and
wherein the stiffening sheet is folded about the longitudinal crease line when the
device is in use.
- 15
2. The personal respiratory protection device of claim 1 wherein the stiffening sheet
has a lateral crease line and is folded about the lateral crease line when the device is in its
flat folded configuration.
- 20
3. The personal respiratory protection device of claim 1 or 2 wherein the lateral crease
line and longitudinal crease line are perpendicular to one another.
4. The personal respiratory protection device of any one of claims 1 to 3 wherein the
longitudinal crease line is coexistent with a longitudinal centerline of the device.
- 25
5. The personal respiratory protection device of claim 4 wherein the opening of the
device by a user causes the unfolding of the stiffening sheet about the lateral crease line.
6. The personal respiratory protection device of any preceding claim wherein the
30 opening of the device by a user causes the stiffening sheet to be moved into an overcentre
position about the longitudinal crease line.

7. The personal respiratory protection device of claim 6 wherein the stiffening sheet forms a semi-rigid V-shape when the device is open and the stiffening sheet is in an overcentre position about the longitudinal crease line.

5 8. The personal respiratory protection device of any preceding claim wherein the device has a multi-layered structure that comprises a first inner cover web, a filtration layer that comprises a web that contains electrically-charged microfibers, and a second outer cover web, the first and second cover webs being disposed on first and second opposing sides of the filtration layer, respectively, wherein the nose conforming element is attached
10 to the second cover web.

9. The personal respiratory protection device of any preceding claim further comprising a headband that comprises an elastomeric material, the headband being secured to the central mouth panel.

15

10. The personal respiratory protection device of any preceding claim further comprising an exhalation valve that is disposed on the central panel.

11. The personal respiratory protection device of any preceding claim wherein the
20 lower panel has a graspable tab attached to the lower panel proximate the longitudinal crease line, the tab being graspable in use to open the device.

12. The personal respiratory protection device of claim 11 wherein the tab is attached to the lower panel proximate the lateral crease line.

25

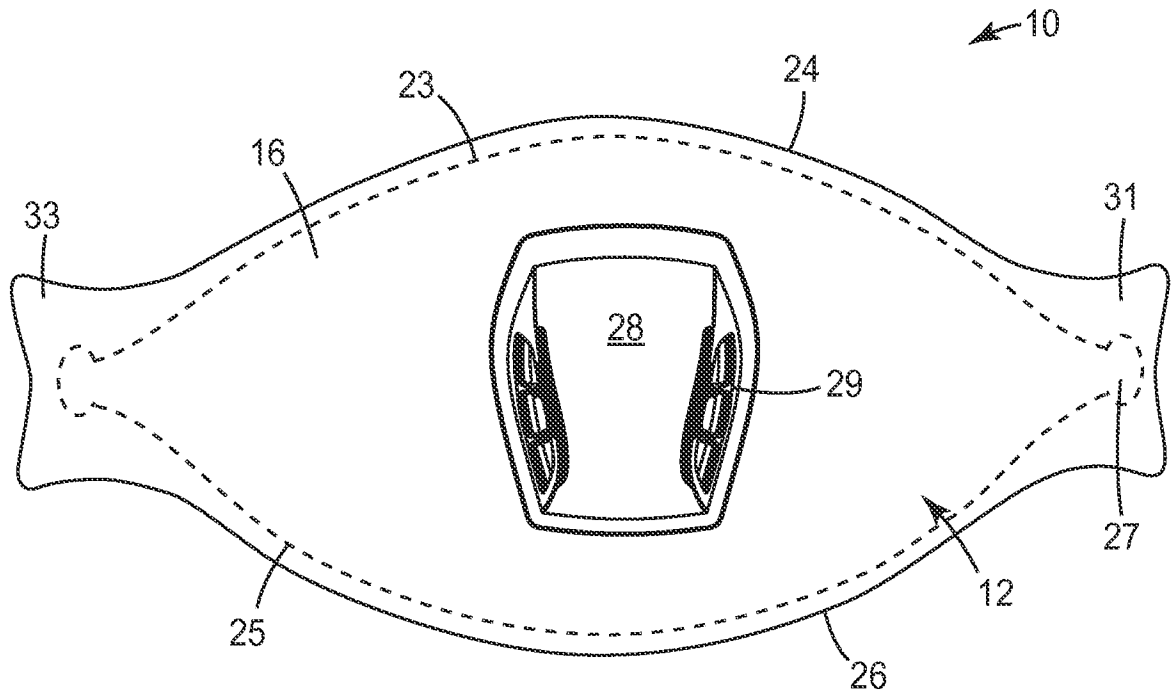


FIG. 1

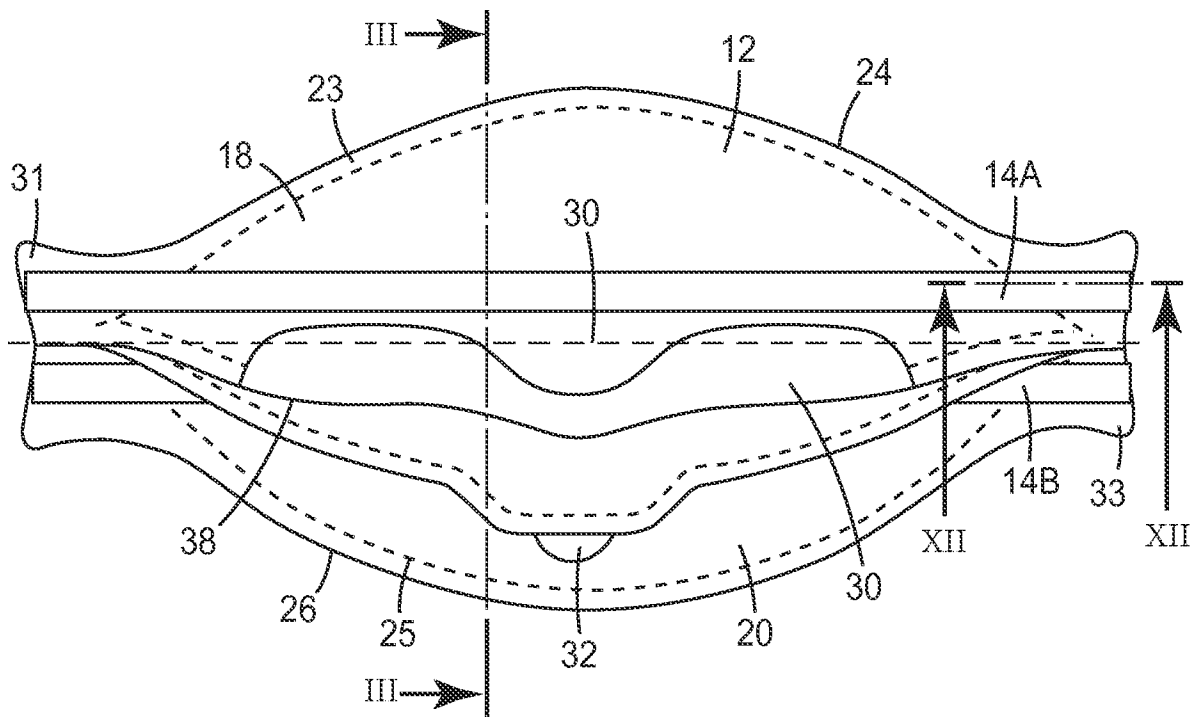


FIG. 2

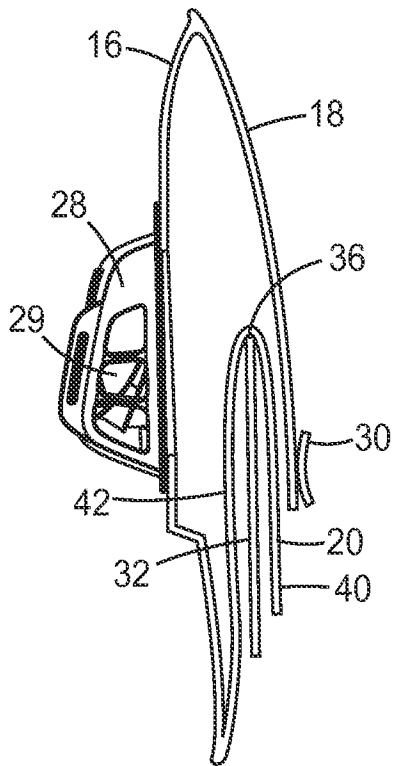


FIG. 3

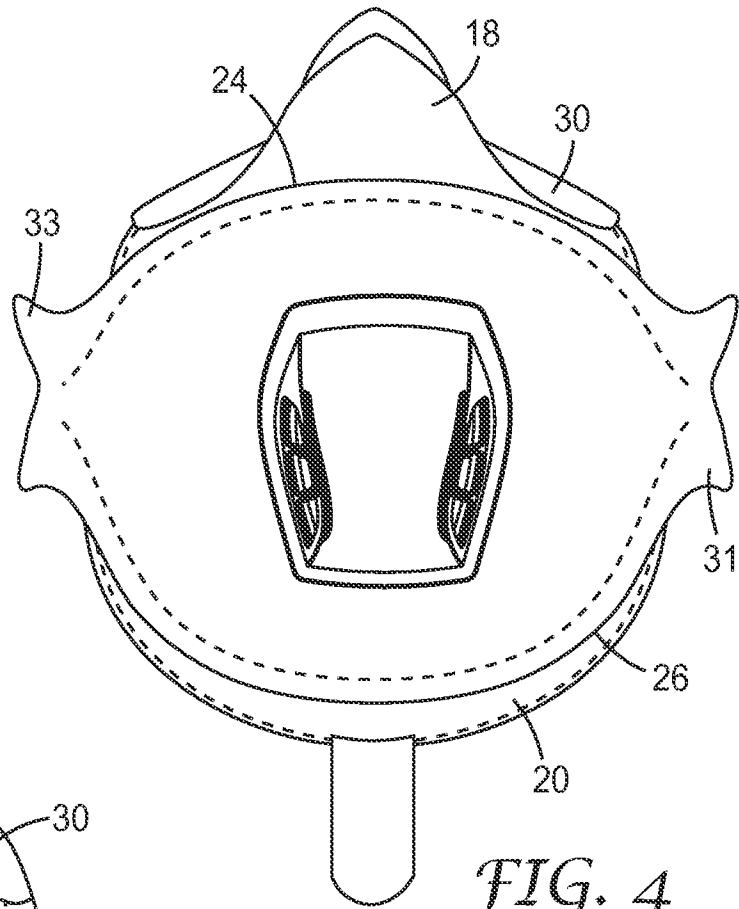


FIG. 4

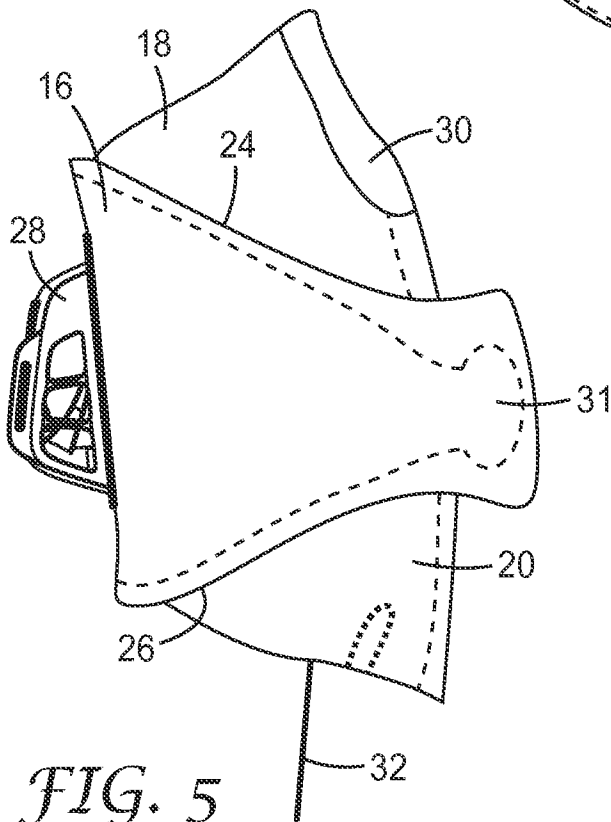


FIG. 5

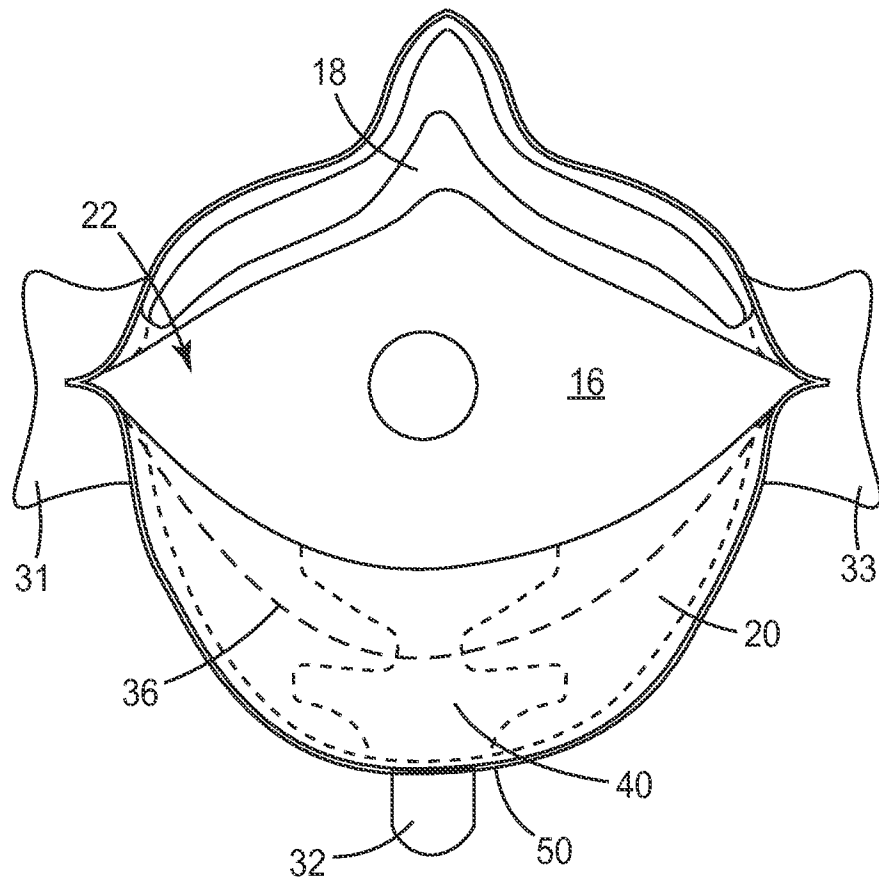


FIG. 6

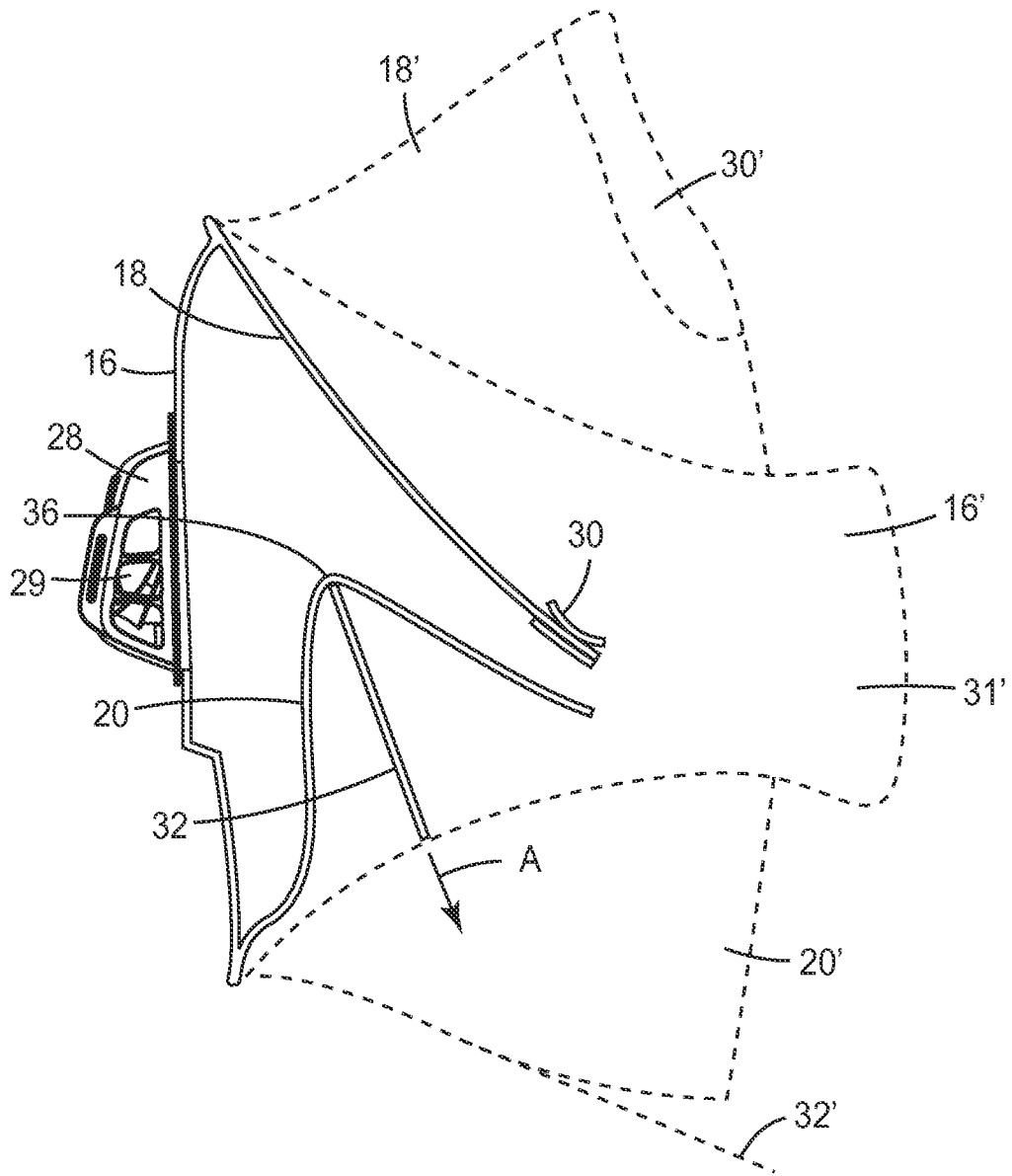


FIG. 7

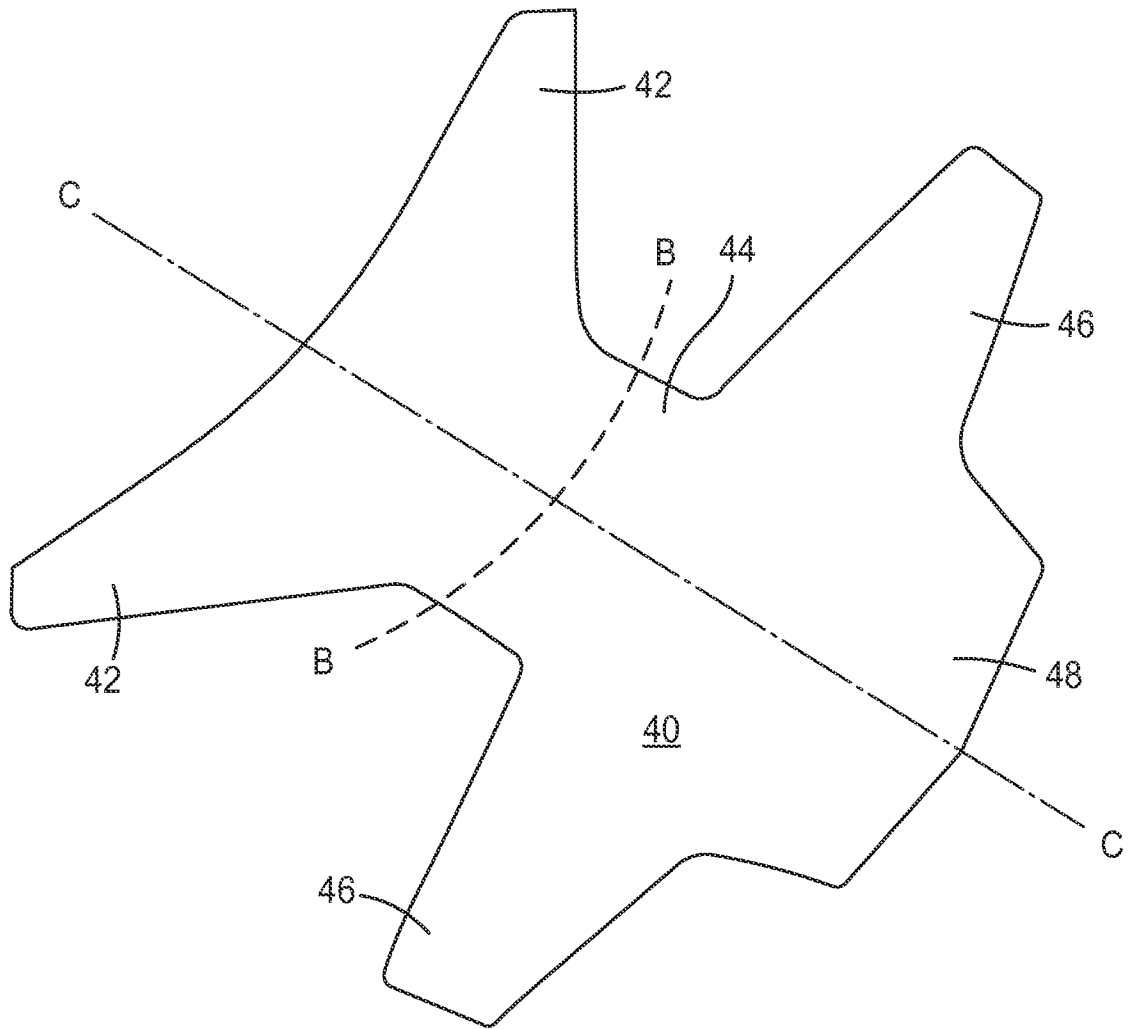


FIG. 8

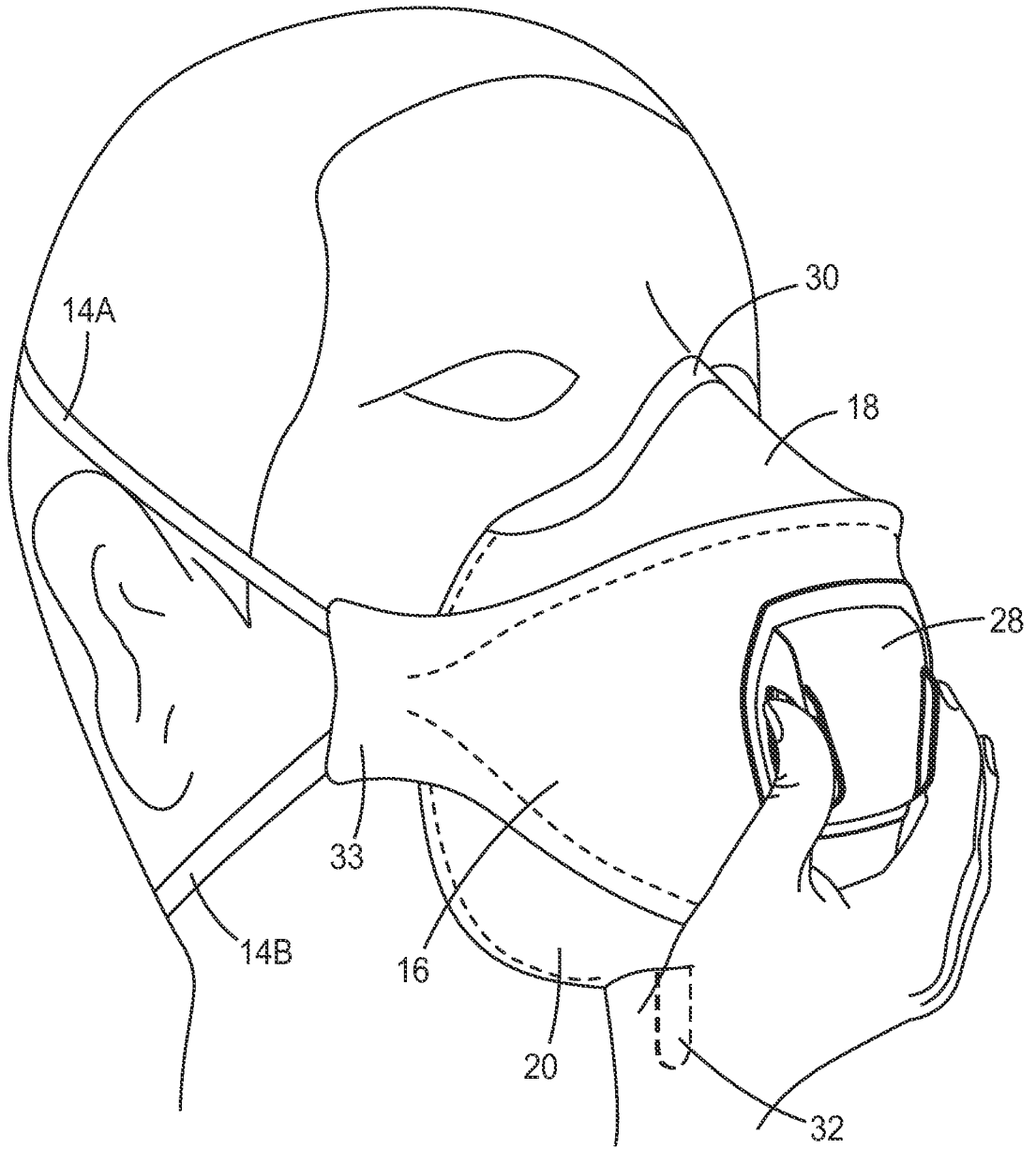


FIG. 9

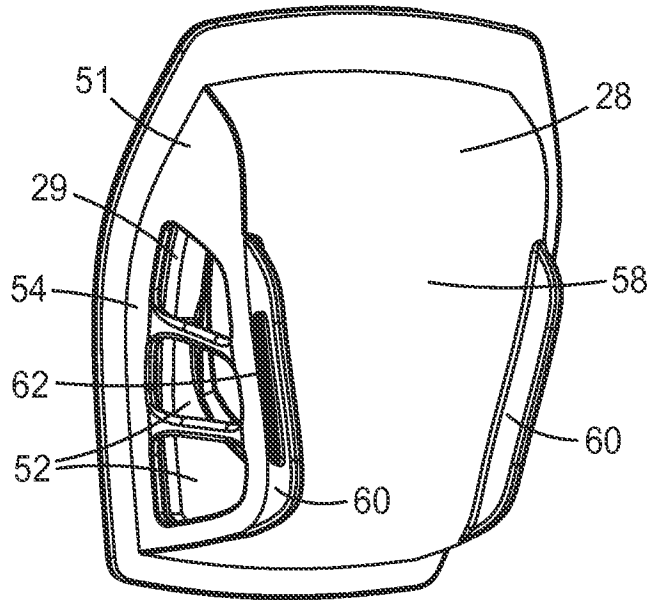


FIG. 10

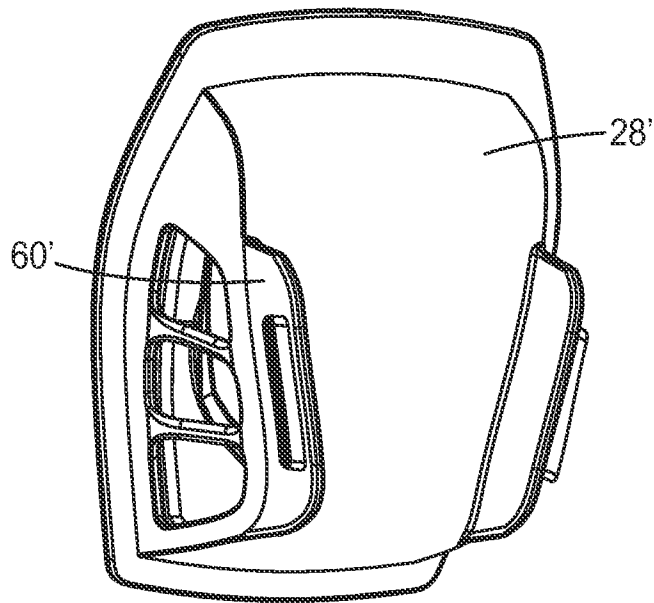
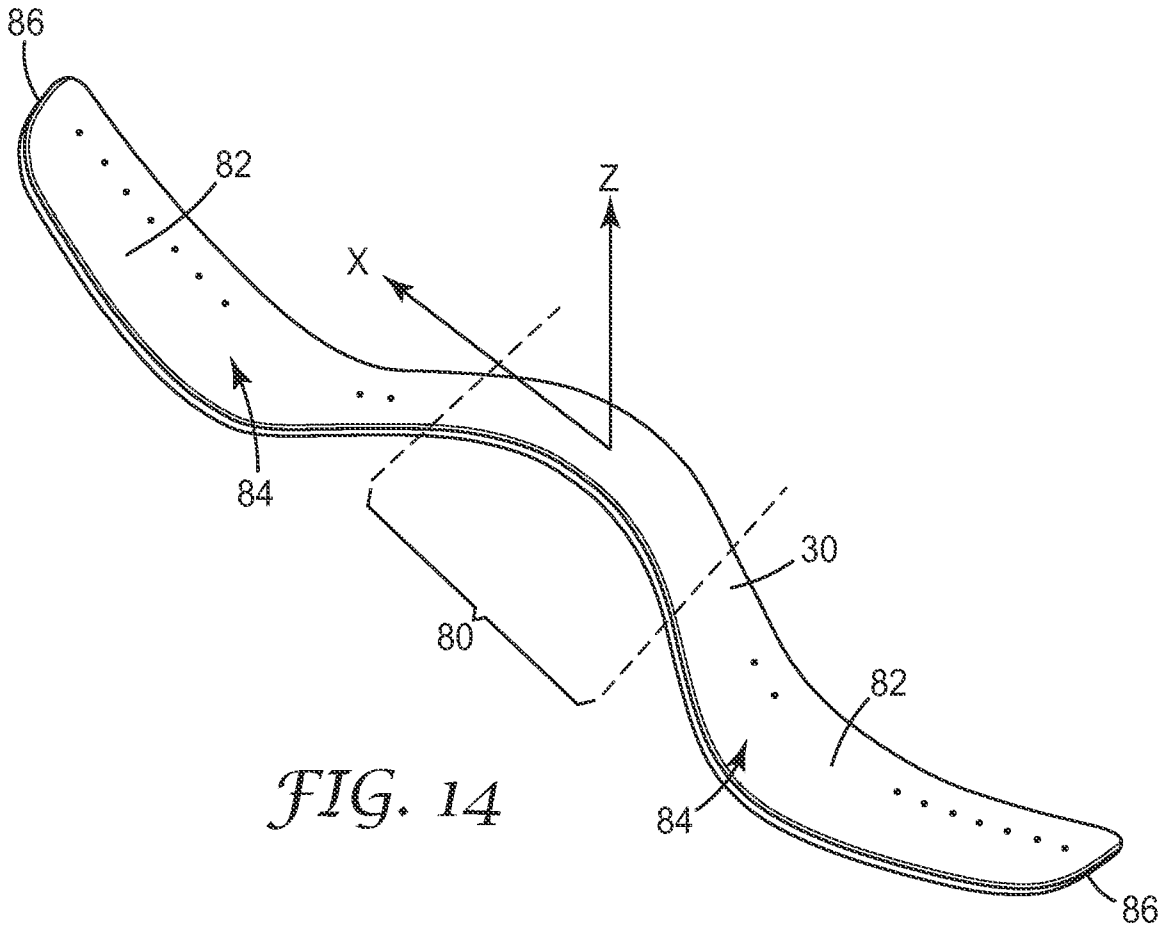
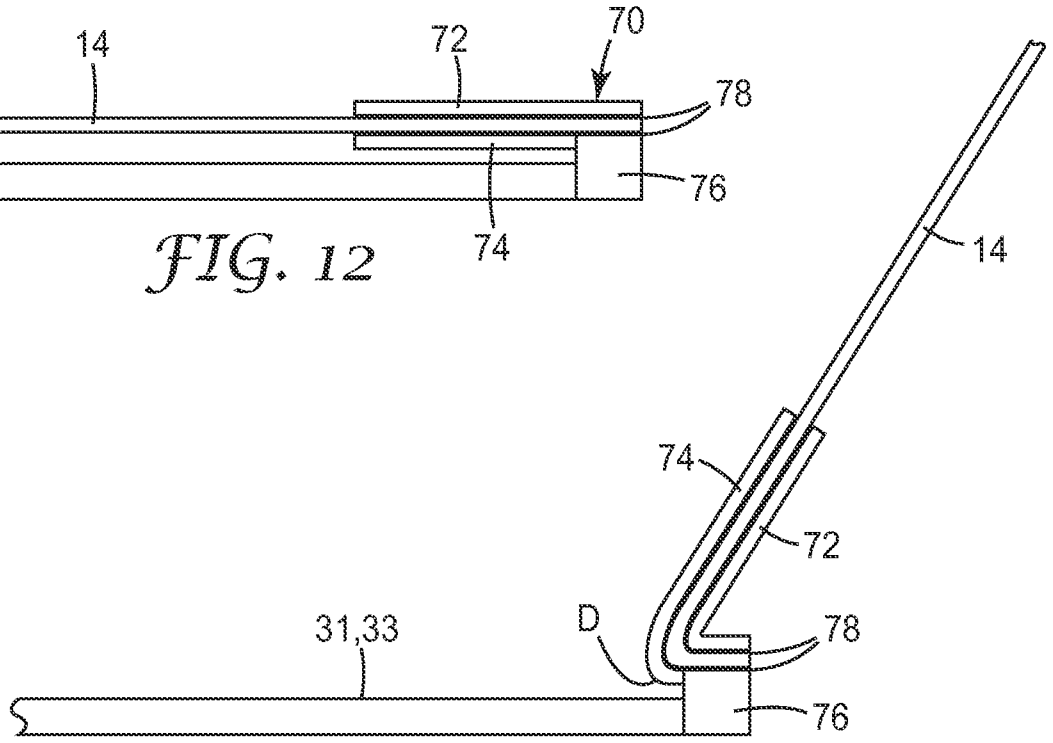
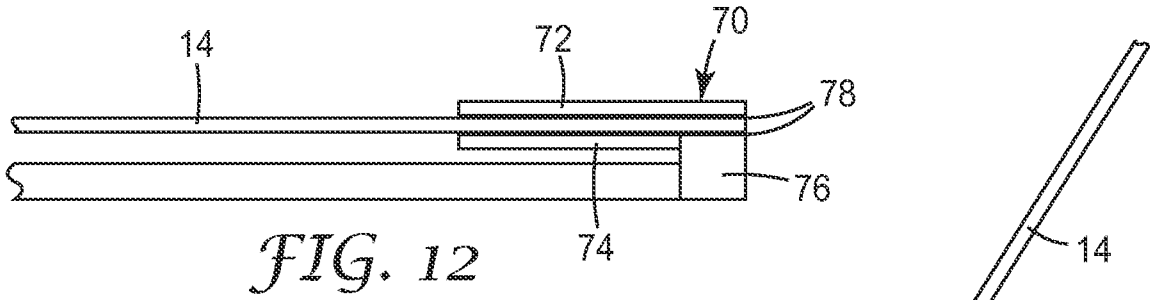


FIG. 11



INTERNATIONAL SEARCH REPORT

International application No
PCT/US2015/063589

A. CLASSIFICATION OF SUBJECT MATTER
INV. A41D13/11 A62B18/10 A62B23/02
ADD.
According to International Patent Classification (IPC) or to both national classification and IPC

B. FIELDS SEARCHED
Minimum documentation searched (classification system followed by classification symbols)
A41D A62B

Documentation searched other than minimum documentation to the extent that such documents are included in the fields searched

Electronic data base consulted during the international search (name of data base and, where practicable, search terms used)
EPO-Internal, WPI Data

C. DOCUMENTS CONSIDERED TO BE RELEVANT

Category*	Citation of document, with indication, where appropriate, of the relevant passages	Relevant to claim No.
X	WO 00/48481 A1 (3M INNOVATIVE PROPERTIES CO [US]) 24 August 2000 (2000-08-24) page 16, line 12 - line 14; figure 1 -----	1-12
X	US 2007/175477 A1 (BAGGETT RICHARD W [US]) 2 August 2007 (2007-08-02) figure 1 -----	1-12
A	US 2008/271740 A1 (GLOAG NICHOLAS J [GB] ET AL) 6 November 2008 (2008-11-06) figure 9a -----	1-12

Further documents are listed in the continuation of Box C.

See patent family annex.

* Special categories of cited documents :

- "A" document defining the general state of the art which is not considered to be of particular relevance
- "E" earlier application or patent but published on or after the international filing date
- "L" document which may throw doubts on priority claim(s) or which is cited to establish the publication date of another citation or other special reason (as specified)
- "O" document referring to an oral disclosure, use, exhibition or other means
- "P" document published prior to the international filing date but later than the priority date claimed

- "T" later document published after the international filing date or priority date and not in conflict with the application but cited to understand the principle or theory underlying the invention
- "X" document of particular relevance; the claimed invention cannot be considered novel or cannot be considered to involve an inventive step when the document is taken alone
- "Y" document of particular relevance; the claimed invention cannot be considered to involve an inventive step when the document is combined with one or more other such documents, such combination being obvious to a person skilled in the art
- "&" document member of the same patent family

Date of the actual completion of the international search

17 February 2016

Date of mailing of the international search report

25/02/2016

Name and mailing address of the ISA/

European Patent Office, P.B. 5818 Patentlaan 2
NL - 2280 HV Rijswijk
Tel. (+31-70) 340-2040,
Fax: (+31-70) 340-3016

Authorized officer

van Voorst, Frank

INTERNATIONAL SEARCH REPORT

Information on patent family members

International application No

PCT/US2015/063589

Patent document cited in search report	Publication date	Patent family member(s)	Publication date
WO 0048481	A1	24-08-2000	
		AU 762416 B2	26-06-2003
		AU 4205099 A	04-09-2000
		BR 9917135 A	29-01-2002
		CA 2368844 A1	24-08-2000
		CN 1292652 A	25-04-2001
		CN 1511601 A	14-07-2004
		CZ 20012983 A3	13-11-2002
		EP 1152668 A1	14-11-2001
		HU 0200084 A2	29-05-2002
		JP 4295438 B2	15-07-2009
		JP 2002537009 A	05-11-2002
		PL 349882 A1	23-09-2002
		RU 2218199 C2	10-12-2003
		TR 200102391 T2	21-03-2002
		TW 555579 B	01-10-2003
		US 6394090 B1	28-05-2002
		WO 0048481 A1	24-08-2000
US 2007175477	A1	02-08-2007	NONE
US 2008271740	A1	06-11-2008	
		BR PI0809898 A2	07-10-2014
		CN 101668564 A	10-03-2010
		EP 2142261 A1	13-01-2010
		JP 5747060 B2	08-07-2015
		JP 2010525878 A	29-07-2010
		JP 2014000457 A	09-01-2014
		KR 20100017288 A	16-02-2010
		US 2008271740 A1	06-11-2008
		WO 2008137272 A1	13-11-2008