



US00D765339S

(12) **United States Design Patent**
Decker

(10) **Patent No.:** **US D765,339 S**

(45) **Date of Patent:** **** Aug. 30, 2016**

(54) **BASE MEMBER OF A PORTABLE LIFT SYSTEM**

5,524,868 A * 6/1996 Decker B66F 3/42
254/93 H

(71) Applicant: **Actuant Corporation**, Menomonee Falls, WI (US)

5,681,029 A 10/1997 Reesor et al.
D468,965 S * 1/2003 Fino D7/505
D483,222 S * 12/2003 Willis D7/392.1

(Continued)

(72) Inventor: **Arnold Decker**, Aurora, IL (US)

FOREIGN PATENT DOCUMENTS

(73) Assignee: **Actuant Corporation**, Menomonee Falls, WI (US)

CN 2488681 5/2002
CN 101464124 6/2009

(Continued)

(**) Term: **14 Years**

OTHER PUBLICATIONS

(21) Appl. No.: **29/502,564**

Enerpac, Synchronous Lift Systems, 03-0399708-484_US, 2008, 8 pages.

(Continued)

(22) Filed: **Sep. 17, 2014**

(51) **LOC (10) Cl.** **12-05**

(52) **U.S. Cl.**

USPC **D34/35**

(58) **Field of Classification Search**

USPC D34/28-37; 254/93 R, 93 H, 13.3, 124,
254/DIG. 4, 423, 89 H, 2 R, 84, DIG. 1, 1,
254/134; 91/55, 471; D7/323, 354-361,
D7/392.1, 393, 396.1, 412, 505, 540

CPC B66F 3/42; B66F 3/26; B66F 3/24;
B66F 9/22; B66F 3/30; B66F 3/46; F15B
15/26

See application file for complete search history.

Primary Examiner — Cynthia Ramirez

Assistant Examiner — Gino Colan

(74) *Attorney, Agent, or Firm* — Michael Best & Friedrich LLP

(57) **CLAIM**

The ornamental design for a base member of a portable lift system, as shown and described.

(56) **References Cited**

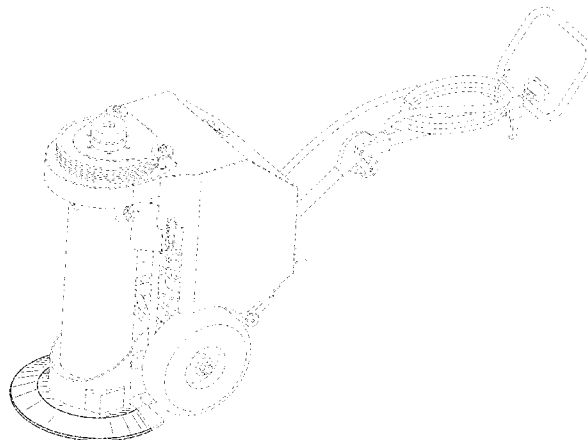
U.S. PATENT DOCUMENTS

1,709,000 A * 4/1929 Bolens B66F 3/42
254/93 H
2,412,414 A * 12/1946 Mueller B66F 3/42
254/93 H
3,309,062 A 3/1967 Jansz
D225,431 S * 12/1972 Gulota 220/23.83
4,359,206 A 11/1982 McCreery
D287,207 S * 12/1986 Daenen D7/392.1
4,865,293 A 9/1989 Ishi et al.
4,886,244 A * 12/1989 Renault B66F 3/42
254/93 H
5,048,794 A * 9/1991 Mamessier B66F 3/42
254/93 H

DESCRIPTION

FIG. 1 is a perspective view of a base member of a portable lift system showing my new design;
FIG. 2 is a left elevational view thereof;
FIG. 3 is a right elevational view thereof;
FIG. 4 is a front elevational view thereof;
FIG. 5 is a back elevational view thereof; and,
FIG. 6 is a top plan view thereof.
The broken line showing in the figures is for the purpose of illustrating environment and forms no part of the claimed design.

1 Claim, 5 Drawing Sheets



(56)

References Cited

U.S. PATENT DOCUMENTS

D538,583 S * 3/2007 Schuler D7/354
D574,661 S * 8/2008 Logan D7/354
D689,731 S * 9/2013 Dorion D7/354
D711,191 S * 8/2014 Lee D7/388
2002/0079481 A1 * 6/2002 Oxtoby B66F 3/26
254/93 H
2008/0173013 A1 * 7/2008 Hernandez B66F 3/24
60/371
2013/0269511 A1 10/2013 Lemke et al.

FOREIGN PATENT DOCUMENTS

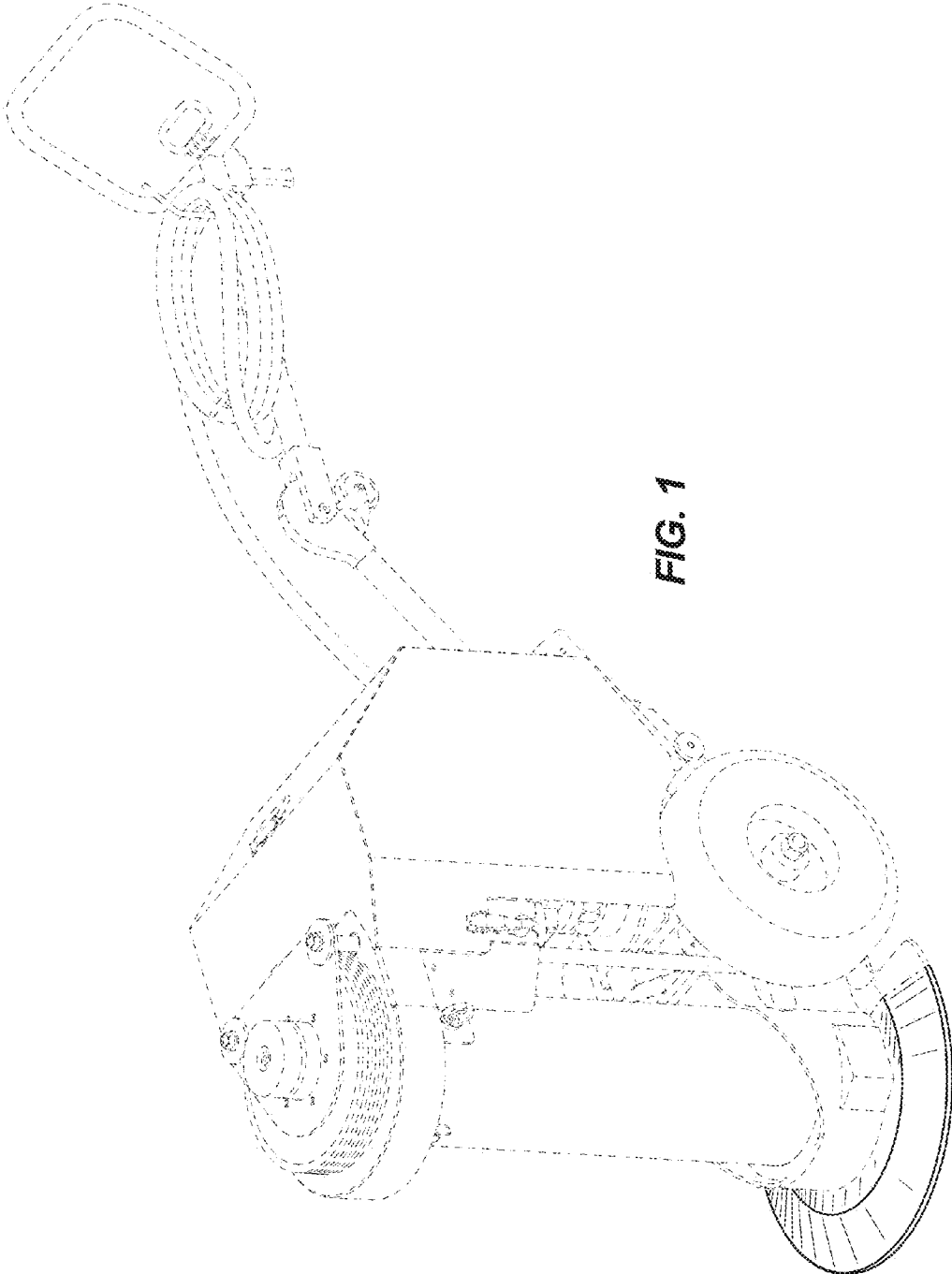
FR 2857000 1/2005
JP S50-84969 7/1975

JP 3003896 1/1991
JP H05-37891 5/1993
JP 3590662 11/2004
WO 2012/088019 6/2012

OTHER PUBLICATIONS

PCT International Search Report and Written Opinion for Application No. PCT/US2011/065994 dated Mar. 30, 2012 (13 pages).
First Office Action from the Australian Intellectual Property Office for Application No. 2011349408 dated Oct. 15, 2015 (3 pages).
PCT/US20151043873 International Search Report and Written Opinion dated Jan. 14, 2016 (19 pages).

* cited by examiner



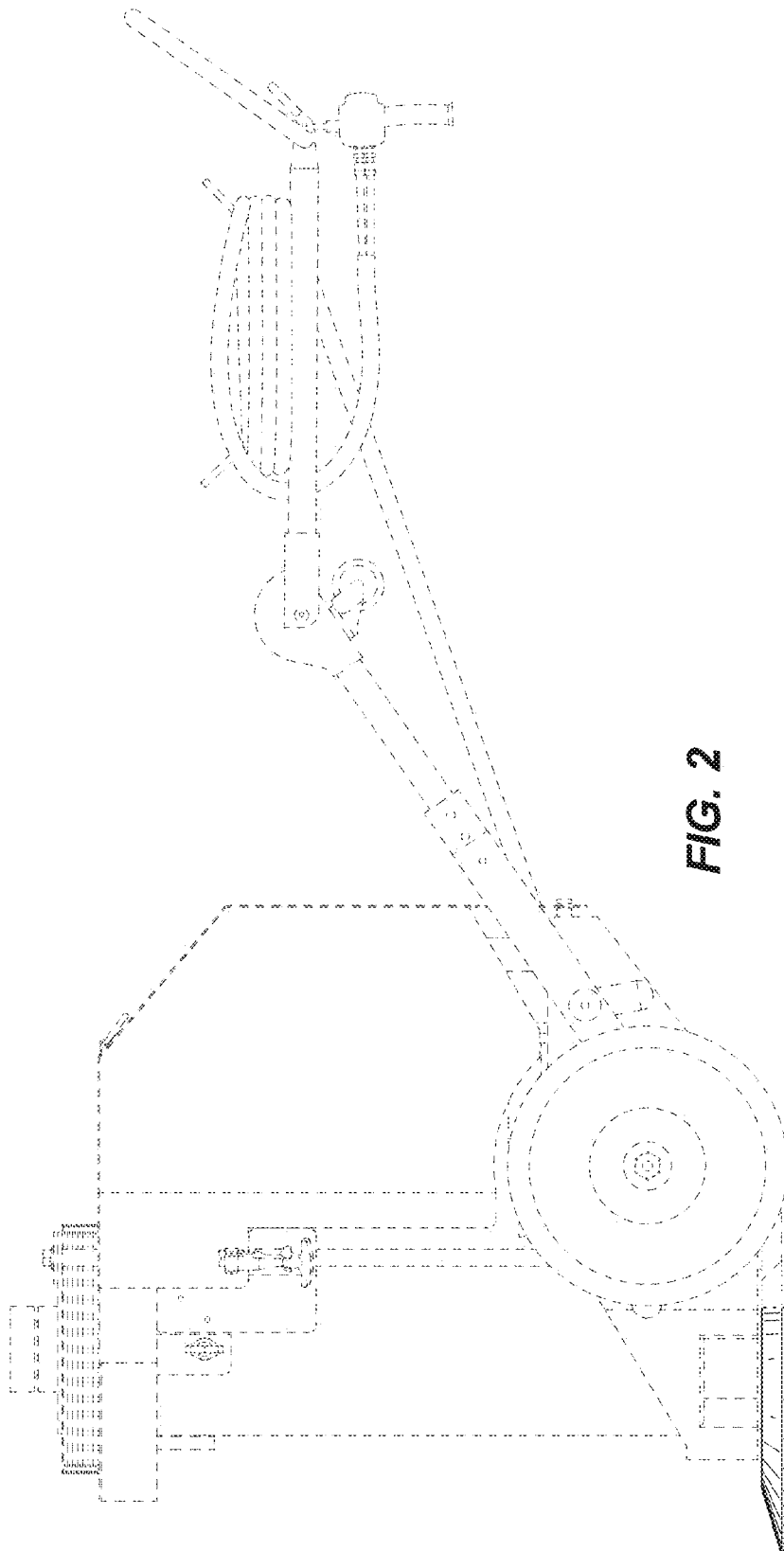
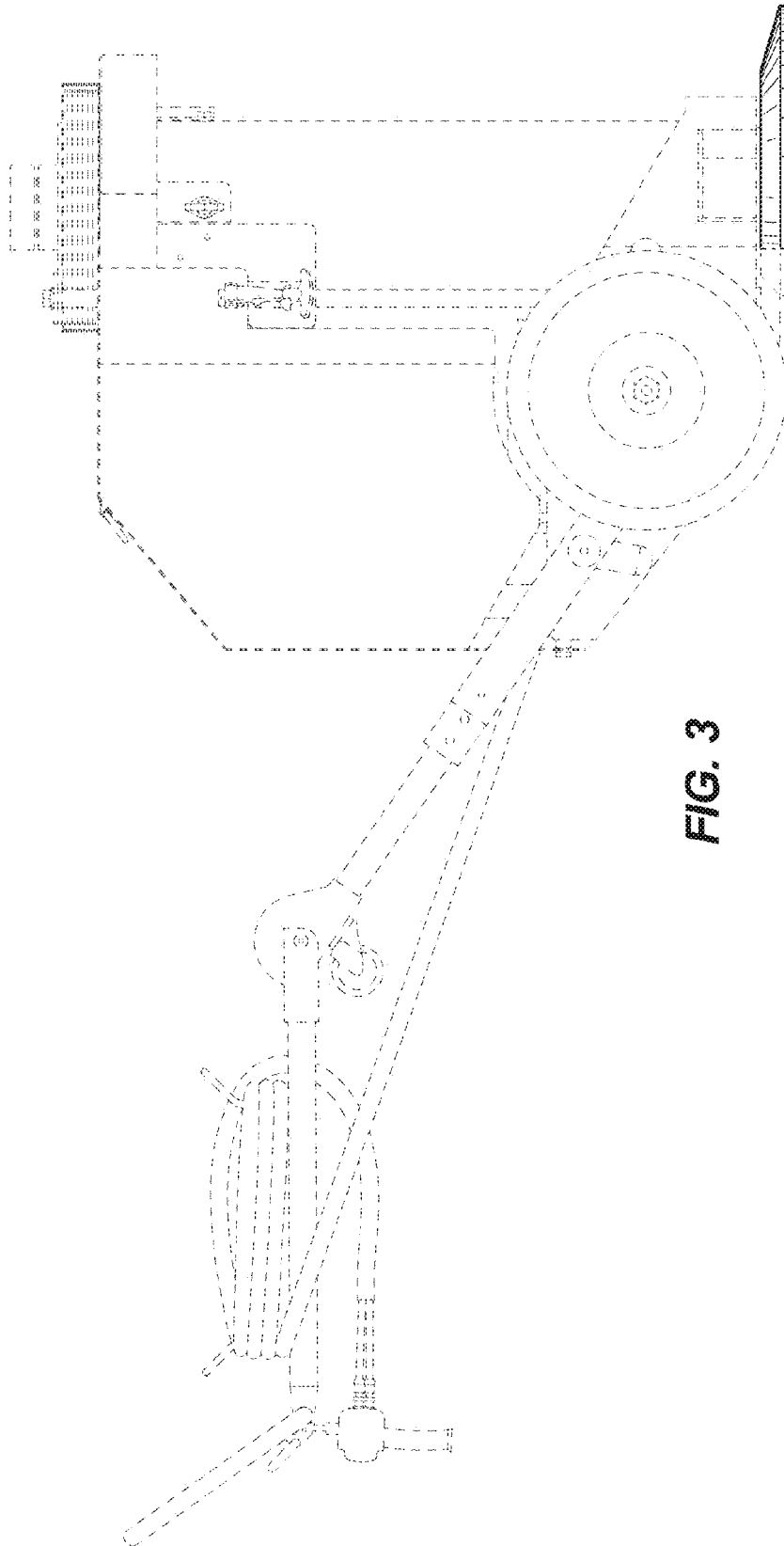


FIG. 2



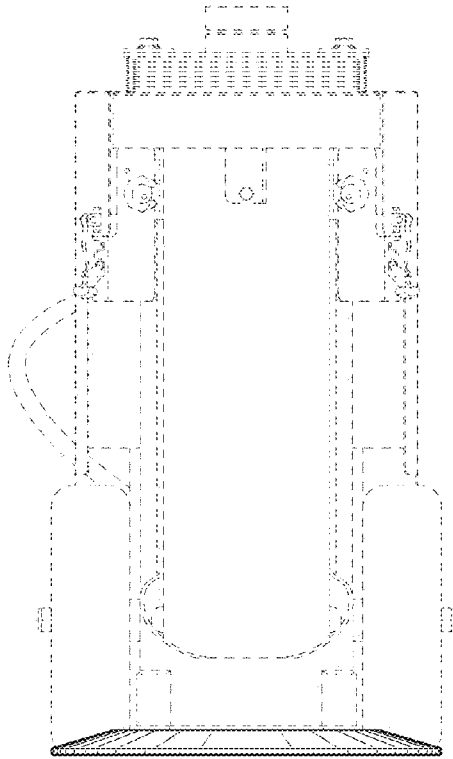


FIG. 4

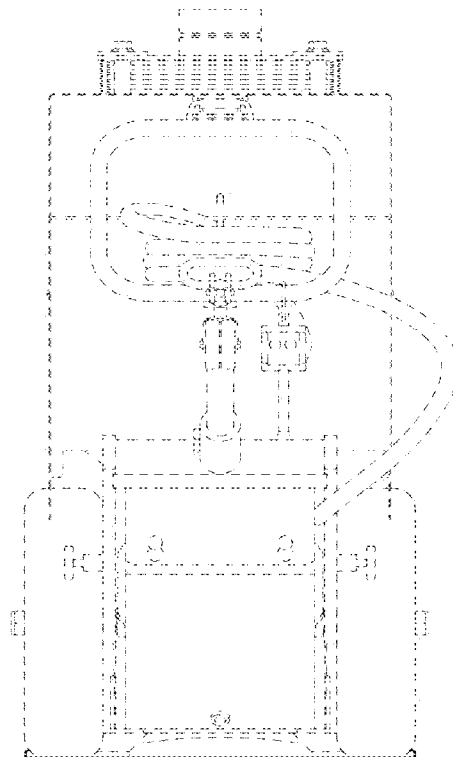


FIG. 5

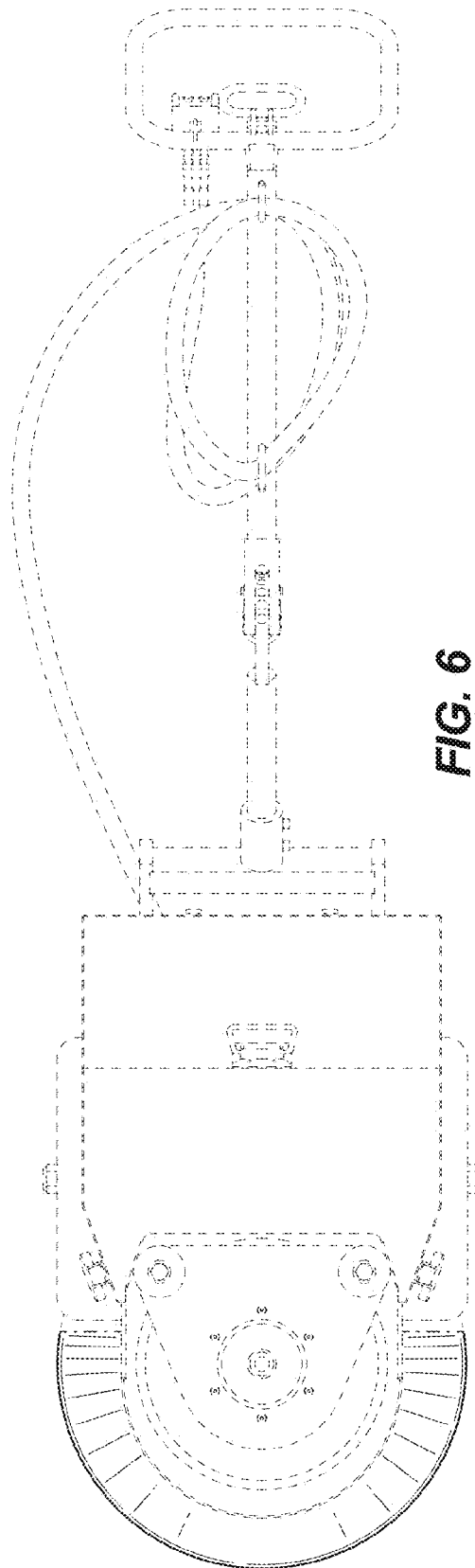


FIG. 6