



US0D1069195S

(12) **United States Design Patent**  
**Shen**

(10) **Patent No.:** **US D1,069,195 S**

(45) **Date of Patent:** **\*\* Apr. 1, 2025**

(54) **HEADLAMP**

(71) Applicant: **Jingjie Shen**, Zhejiang (CN)

(72) Inventor: **Jingjie Shen**, Zhejiang (CN)

(\*\*) Term: **15 Years**

(21) Appl. No.: **29/918,487**

(22) Filed: **Nov. 28, 2023**

(51) **LOC (15) Cl.** ..... **26-02**

(52) **U.S. Cl.**  
USPC ..... **D26/39**

(58) **Field of Classification Search**

USPC ..... D10/106.7, 106.8, 106.94, 109.1, 111,  
D10/114.9, 121; D26/37, 38, 39, 46, 47,  
D26/60, 94, 98, 99, 113  
CPC .... F21V 21/08; F21V 21/0816; F21V 21/084;  
F21V 21/088; F21V 33/00; F21V  
33/0004; F21V 33/0008; F21S 9/02;  
F21L 4/005; F21L 4/02; F21L 4/025;  
F21L 4/027; F21L 4/04; F21L 13/08;  
F21L 14/02

See application file for complete search history.

(56) **References Cited**

**U.S. PATENT DOCUMENTS**

D712,579 S \* 9/2014 Cen ..... D26/39  
D744,135 S \* 11/2015 Menjor ..... D26/39  
D788,339 S \* 5/2017 Koshiha ..... D26/39  
D814,083 S \* 3/2018 Green ..... D26/39  
D843,035 S \* 3/2019 Pontano ..... D26/39  
D882,136 S \* 4/2020 Huang ..... D26/39  
D885,624 S \* 5/2020 Dir ..... D26/39

D889,009 S \* 6/2020 Kunzendorf ..... D26/36  
D929,006 S \* 8/2021 Yan ..... D26/39  
D951,505 S 5/2022 White et al.  
D967,999 S 10/2022 Lu  
D974,616 S 1/2023 Wu  
D981,020 S 3/2023 Liu  
D986,455 S 5/2023 Chen  
D987,873 S 5/2023 Zhu  
D996,663 S 8/2023 Petzl  
D998,200 S 9/2023 Shcheglov et al.  
D1,027,237 S \* 5/2024 Shu ..... D26/39

\* cited by examiner

*Primary Examiner* — Angela J Lee

*Assistant Examiner* — Audris Park

(57) **CLAIM**

The ornamental design for a headlamp, as shown and described.

**DESCRIPTION**

FIG. 1 is a perspective view of a headlamp design showing my new design.

FIG. 2 is another perspective view thereof.

FIG. 3 is a front view thereof.

FIG. 4 is a rear view thereof.

FIG. 5 is a right side view thereof.

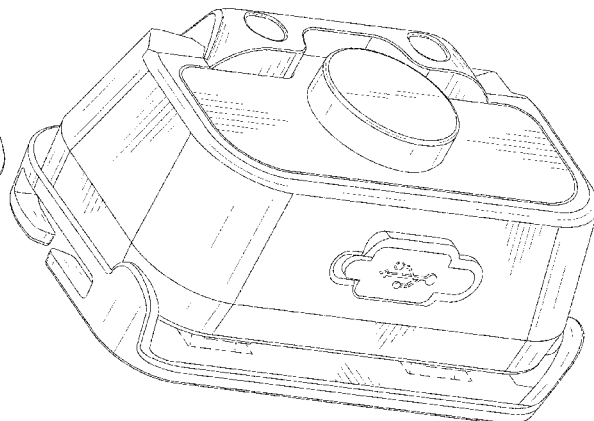
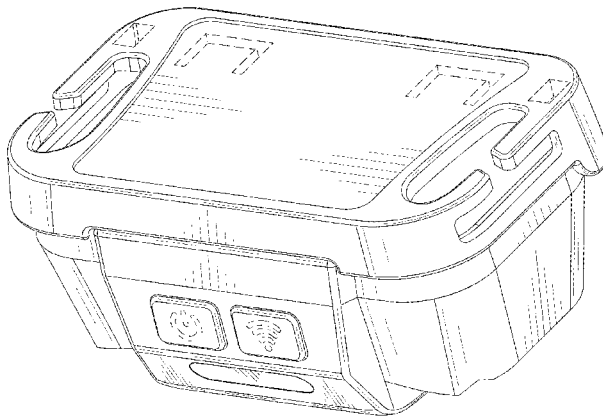
FIG. 6 is a left side view thereof.

FIG. 7 is a top view thereof; and,

FIG. 8 is a bottom view thereof.

The broken lines in the drawings depict portions of the headlamp that form no part of the claimed design.

**1 Claim, 8 Drawing Sheets**



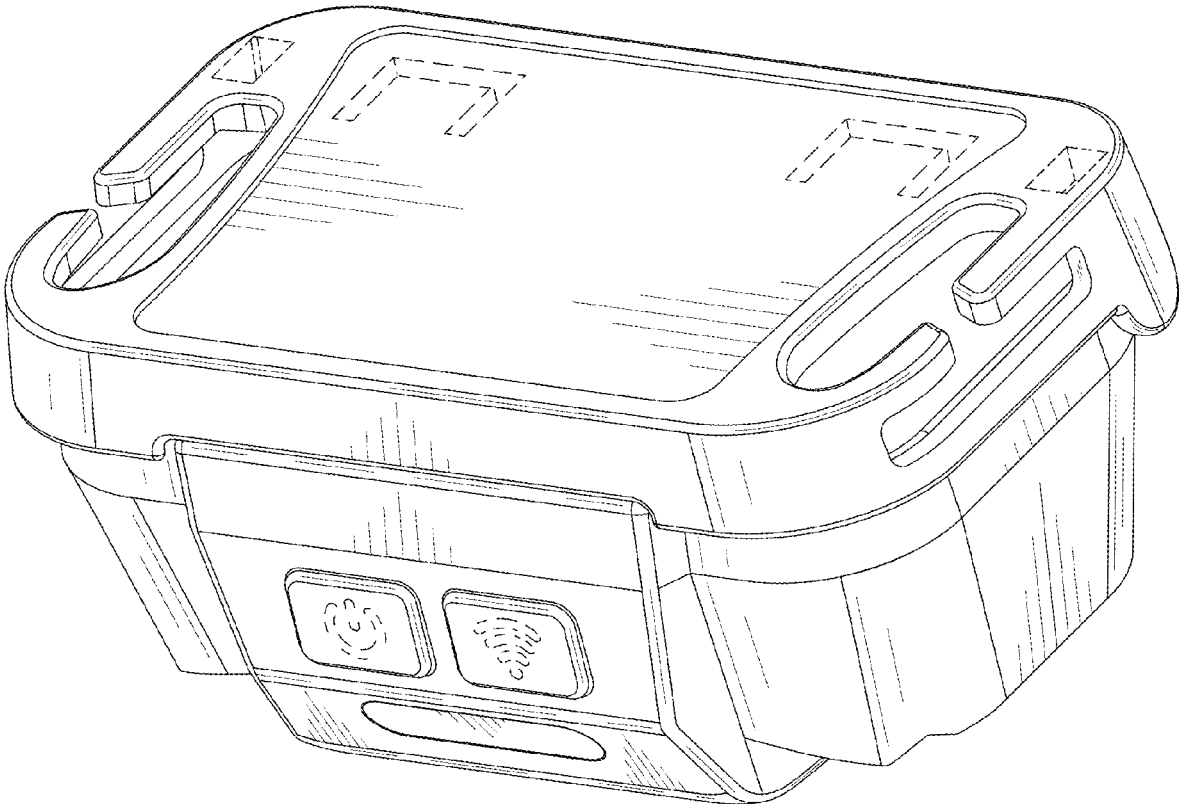


FIG.1

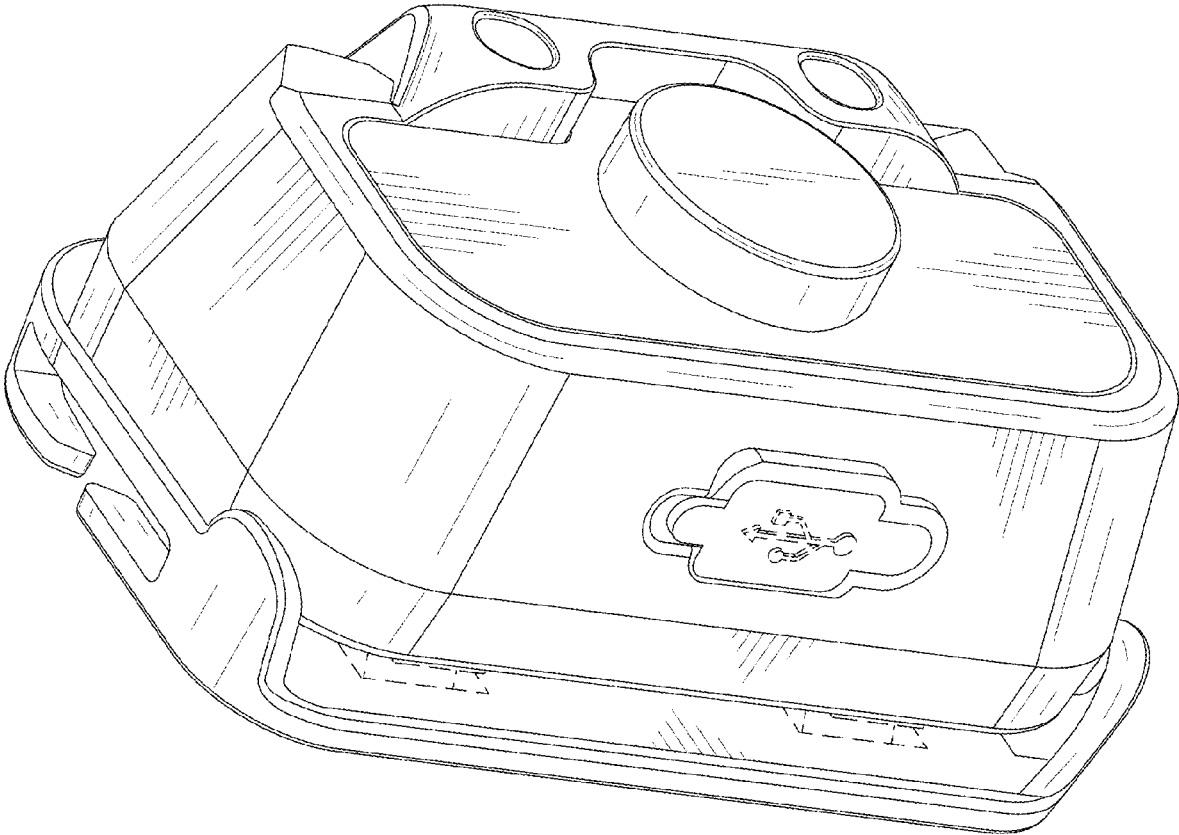


FIG.2

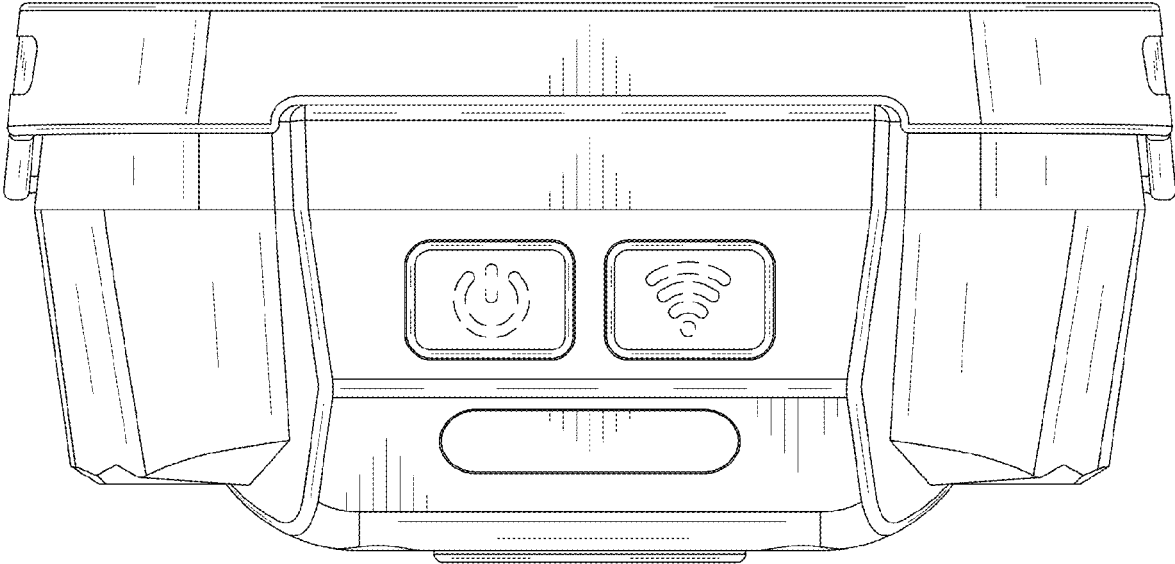


FIG.3

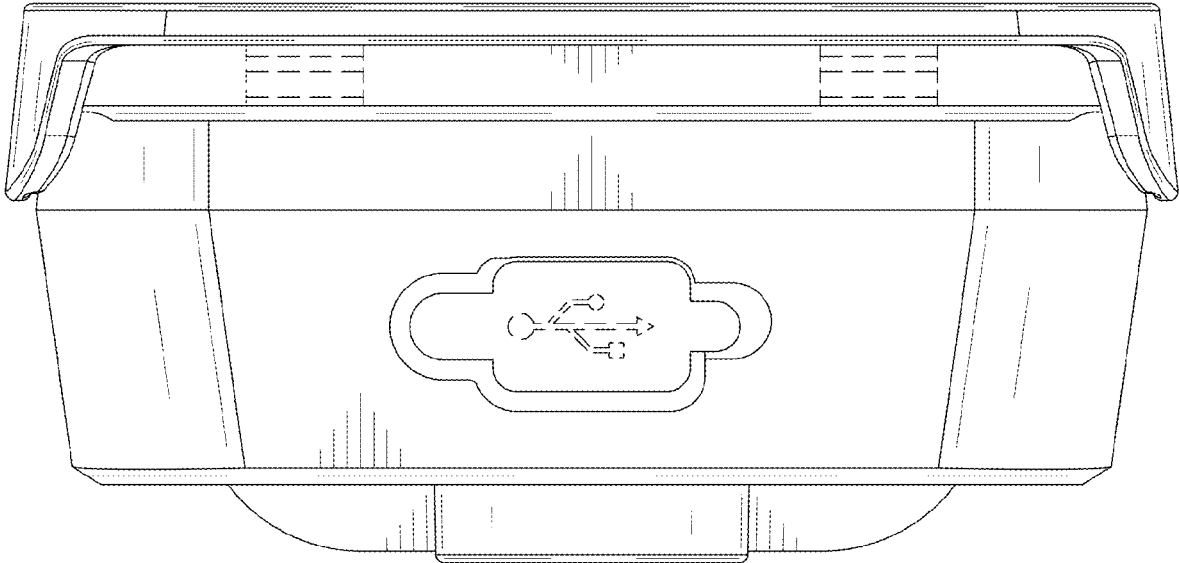


FIG.4

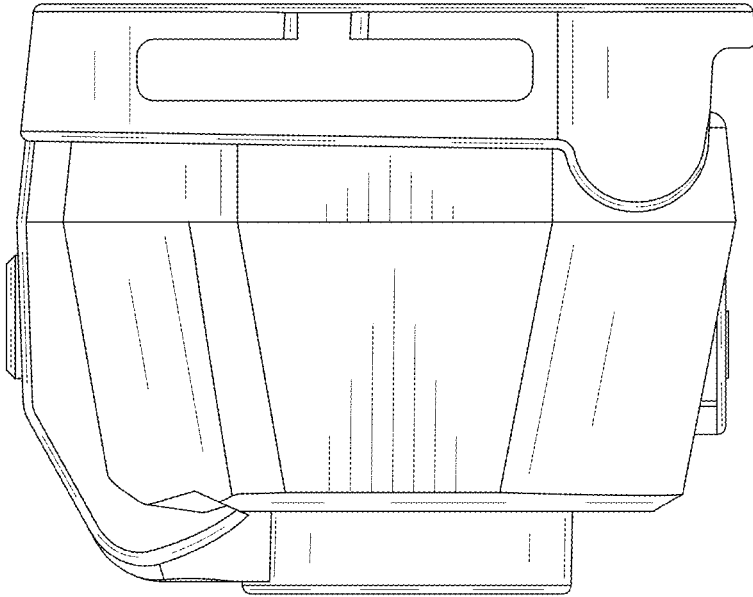


FIG.5

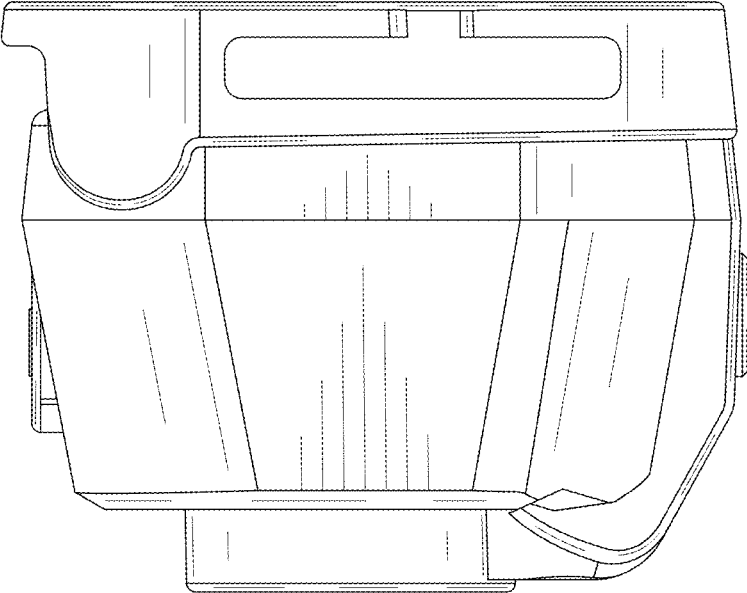


FIG.6

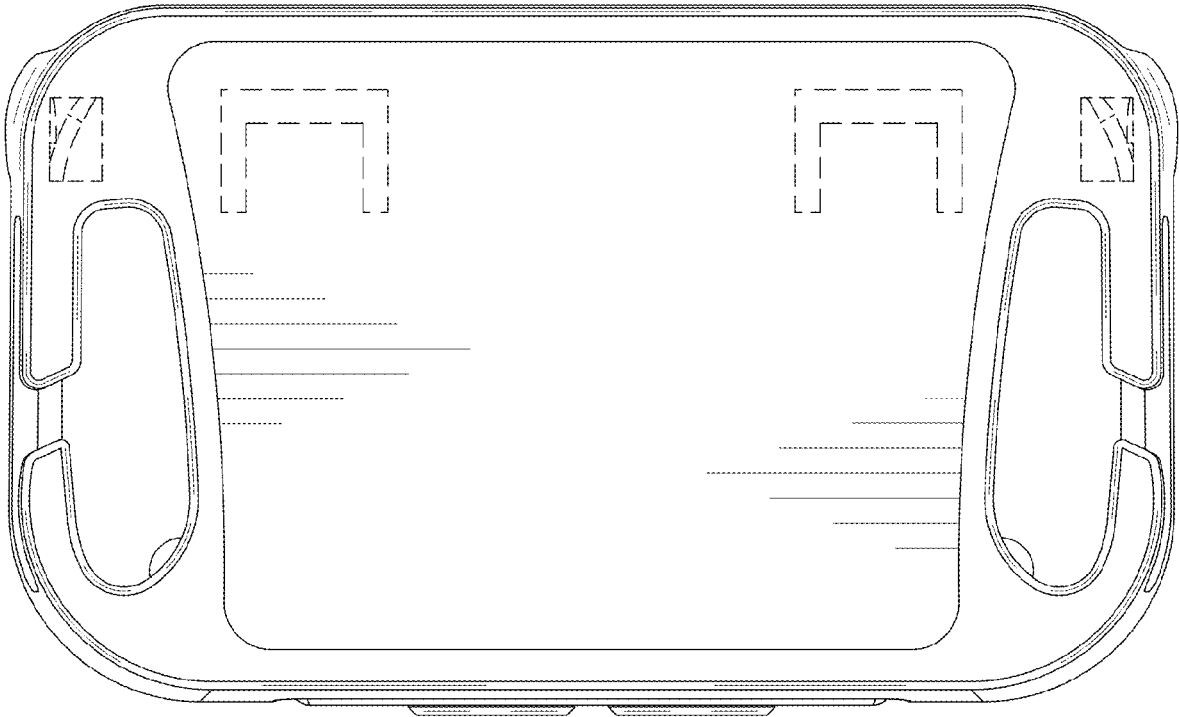


FIG.7

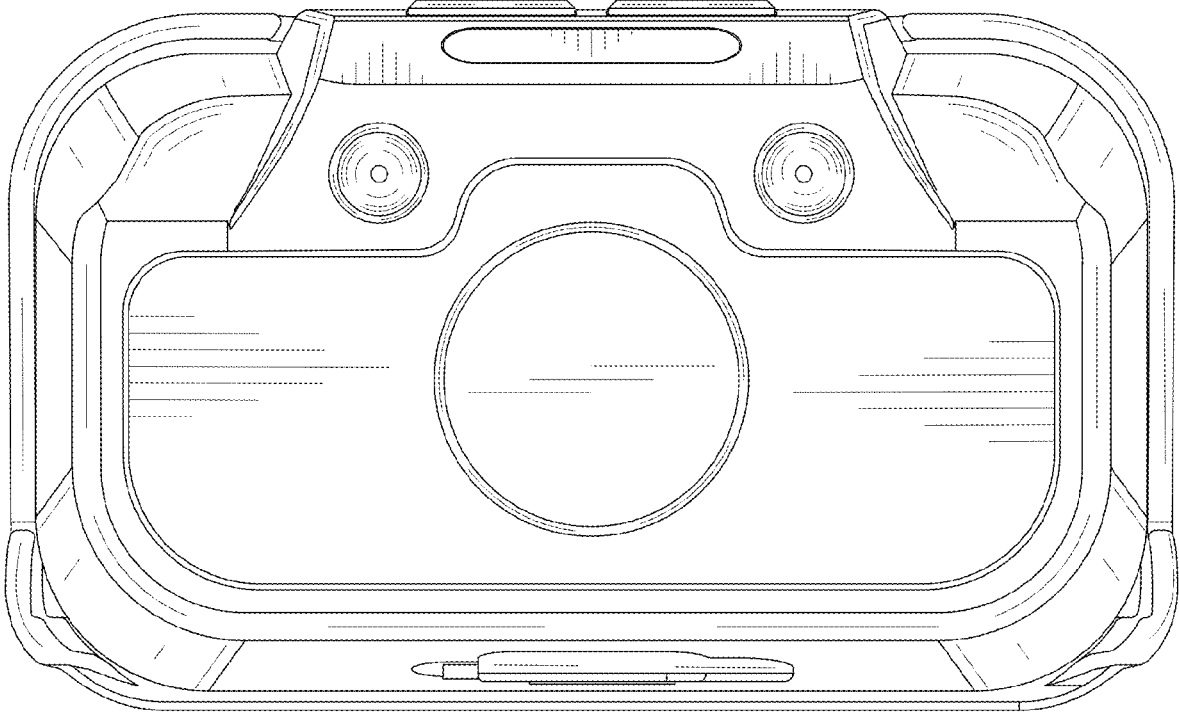


FIG.8