

(19) World Intellectual Property Organization
International Bureau



(43) International Publication Date
30 November 2000 (30.11.2000)

PCT

(10) International Publication Number
WO 00/71349 A1

(51) International Patent Classification⁷: B41J 2/175, 3/36

(21) International Application Number: PCT/AU00/00504

(22) International Filing Date: 24 May 2000 (24.05.2000)

(25) Filing Language: English

(26) Publication Language: English

(30) Priority Data:
PQ 0560 25 May 1999 (25.05.1999) AU

(71) Applicant (for all designated States except US): SILVERBROOK RESEARCH PTY LTD [AU/AU]; 393 Darling Street, Balmain, New South Wales 2041 (AU).

(72) Inventor; and

(75) Inventor/Applicant (for US only): SILVERBROOK, Kia [AU/AU]; Silverbrook Research Pty Ltd, 393 Darling Street, Balmain, New South Wales 2041 (AU).

(74) Agent: SILVERBROOK RESEARCH PTY LTD; 393 Darling Street, Balmain, New South Wales 2041 (AU).

(81) Designated States (national): AE, AG, AL, AM, AT, AU, AZ, BA, BB, BG, BR, BY, CA, CH, CN, CR, CU, CZ, DE, DK, DM, DZ, EE, ES, FI, GB, GD, GE, GH, GM, HR, HU, ID, IL, IN, IS, JP, KE, KG, KP, KR, KZ, LC, LK, LR, LS, LT, LU, LV, MA, MD, MG, MK, MN, MW, MX, MZ, NO, NZ, PL, PT, RO, RU, SD, SE, SG, SI, SK, SL, TJ, TM, TR, TT, TZ, UA, UG, US, UZ, VN, YU, ZA, ZW.

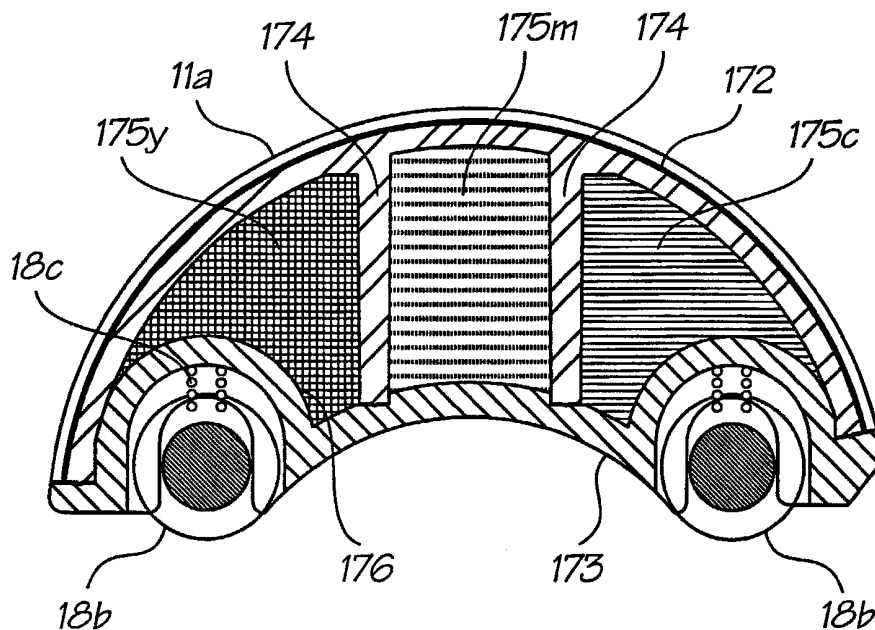
(84) Designated States (regional): ARIPO patent (GH, GM, KE, LS, MW, MZ, SD, SL, SZ, TZ, UG, ZW), Eurasian patent (AM, AZ, BY, KG, KZ, MD, RU, TJ, TM), European patent (AT, BE, CH, CY, DE, DK, ES, FI, FR, GB, GR, IE, IT, LU, MC, NL, PT, SE), OAPI patent (BF, BJ, CF, CG, CI, CM, GA, GN, GW, ML, MR, NE, SN, TD, TG).

Published:

— With international search report.

For two-letter codes and other abbreviations, refer to the "Guidance Notes on Codes and Abbreviations" appearing at the beginning of each regular issue of the PCT Gazette.

(54) Title: INK CARTRIDGE FOR COMPACT PRINTER SYSTEM



(57) Abstract: An ink cartridge for a printer module of a compact printer system. The ink cartridge is characterized by being located on the opposite side of a printable media from a printhead in the printer module. The ink cartridge houses a pair of neutral rollers that cooperate with powered rollers in the printer module to urge the printable media past the printhead.



WO 00/71349 A1

INK CARTRIDGE FOR COMPACT PRINTER SYSTEM

FIELD OF THE INVENTION

The invention relates to a compact printer system able to print full-color, business card size documents from a device about the size of a pen. The system includes various hot-connectable modules that provide a range of functions. In particular the invention relates to an ink cartridge for a printer module.

Reference may be had to co-pending applications claiming priority from Australian Provisional Patent Application number PQ0560 dated 25 May 1999. The co-pending applications describe related modules and methods for implementing the compact printer system. The co-pending applications are as follows:

PCT Application Number	Docket No.
PCT/AU00/00501	PP01
PCT/AU00/00502	PP02
PCT/AU00/00503	PP03
PCT/AU00/00505	PP07
PCT/AU00/00506	PP08
PCT/AU00/00507	PP09
PCT/AU00/00508	PP10
PCT/AU00/00509	PP11
PCT/AU00/00510	PP12
PCT/AU00/00512	PP13
PCT/AU00/00513	PP15
PCT/AU00/00514	PP16
PCT/AU00/00515	PP17

10

BACKGROUND OF THE INVENTION

Microelectronic manufacturing techniques have led to the miniaturization of numerous devices. Mobile phones, personal digital assistant devices, and digital cameras are very common examples of the miniaturization trend.

One device that has not seen the advantage of microelectronic manufacturing techniques is the printer.

15

Commercially available printers are large compared to many of the devices they could support. For instance, it is impractical to carry a color printer for the purpose of instantly printing photographs taken with known compact digital cameras.

A compact printhead has been described in co-pending Patent Cooperation Treaty applications filed simultaneously to the present application and hereby incorporated by cross reference:

PCT Application Number	Docket Number
PCT/AU00/00591	MJ62
PCT/AU00/00578	IJ52
PCT/AU00/00579	IJM52
PCT/AU00/00592	MJ63
PCT/AU00/00590	MJ58

20

A compact printer system must provide as much ink as possible to print multiple images between ink cartridge replacements. In known systems the printhead is incorporated into the ink cartridge and the entire unit is replaced when the ink is exhausted. In other systems the ink cartridge is a separate unit. In either case, the cartridge is a relatively small component compared to the total size of the printer. In a compact printer system the ink cartridge is a substantial part of the whole printer module and therefore careful attention must be given to its design to maximize the amount of ink available for printing.

25

5 SUMMARY OF THE INVENTION

In one form, the invention resides in an ink cartridge for a printer module having a full-width stationary printhead for printing an image on printable media comprising:
a molded body defining a number of ink containing chambers;
means communicating with said chambers for supplying ink to said printhead;
10 characterized by said ink cartridge being located on an opposite side of said printable media from said printhead.

Further features of the invention will be evident from the following description.

BRIEF DESCRIPTION OF THE DRAWINGS

15 In order to assist with describing preferred embodiments of the invention, reference will be made to the following figures in which:

- FIG 1 is a printer module;
- FIG 2 is a camera module;
- FIG 3 is a memory module;
- FIG 4 is a communication module;
- 20 FIG 5 is a flash module;
- FIG 6 is a timer module;
- FIG 7 is a laser module;
- FIG 8 is an effects module;
- FIG 9 is a characters module;
- 25 FIG 10 is an adaptor module;
- FIG 11 is a pen module;
- FIG 12 is a dispenser module;
- FIG 13 is a first compact printer configuration;
- FIG 14 is a second compact printer configuration;
- 30 FIG 15 is a third compact printer configuration;
- FIG 16 is a fourth compact printer configuration;
- FIG 17 is an exploded view of the Printer Module of FIG 1; and
- FIG 18 is a cross-sectional view of an ink cartridge.

35 DETAILED DESCRIPTION OF THE PREFERRED EMBODIMENTS

Referring to FIGs 1 to 12, there are shown various modules that together form a compact printer system. Individual modules can be attached and detached from the compact printer configuration to allow a user-definable solution to business-card sized printing. Images can also be transferred from one compact printer to another without the use of a secondary computer system. Modules have a minimal user-interface to allow straightforward interaction.

40 A compact printer system configuration consists of a number of compact printer modules connected together. Each compact printer module has a function that contributes to the overall functionality of the particular compact printer configuration. Each compact printer module is typically shaped like part of a pen, physically connecting with other compact printer modules to form the complete pen-shaped device. The length of the compact printer device depends on

the number and type of compact printer modules connected. The functionality of a compact printer configuration depends on the compact printer modules in the given configuration.

The compact printer modules connect both physically and logically. The physical connection allows modules to be connected in any order, and the logical connection is taken care of by the compact printer Serial Bus - a bus that provides power, allows the modules to self configure and provides for the transfer of data.

In terms of physical connection, most compact printer modules consist of a central body, a male connector at one end, and a female connector at the other. Since most modules have both a male and female connector, the modules can typically be connected in any order. Certain modules only have a male or a female connector, but this is determined by the function of the module. Adaptor modules allow these single-connector modules to be connected at either end of a given compact printer configuration.

A four wire physical connection between all the compact printer modules provides the logical connection between them in the form of the compact printer Serial Bus. The compact printer Serial Bus provides power to each module, and provides the means by which data is transferred between modules. Importantly, the compact printer Serial Bus and accompanying protocol provides the means by which the compact printer system auto-configures, reducing the user-interface burden on the end-user.

Compact printer modules can be grouped into three types:

- image processing modules including a Printer Module (FIG 1), a Camera Module (FIG 2), and a Memory Module (FIG 3). Image processing modules are primarily what sets the compact printer system apart from other pen-like devices. Image processing modules capture, print, store or manipulate photographic images;
- housekeeping modules including an Adapter Module (FIG 10), an Effects Module (FIG 8), a Communications Module (FIG 4), and a Timer Module (FIG 6). Housekeeping modules provide services to other modules or extended functionality to other modules; and
- isolated modules including a Pen Module (FIG 11) and a Laser Module (FIG 7). Isolated modules are those that attach to the compact printer system but are completely independent of any other module. They do not necessarily require power, and may even provide their own power. Isolated Modules are defined because the functionality they provide is typically incorporated into other pen-like devices.

Although housekeeping modules and isolated modules are useful components in a compact printer system, they are extras in a system dedicated to image processing and photographic manipulation. Life size (1:1) illustrations of the compact printer modules are shown in FIGs 1 to 12, and example configurations produced by connecting various modules together are shown in FIGs 13 to 16.

FIG 1 shows a printer module that incorporates a compact printhead described in co-pending United States Patent Applications listed in the Background section of this application, incorporated herewith by reference, and referred to herewith as a Memjet printhead. The Memjet printhead is a drop-on-demand 1600 dpi inkjet printer that produces bi-level dots in up to 4 colors to produce a printed page of a particular width. Since the printhead prints dots at 1600 dpi, each dot is approximately 22.5µm in diameter, and spaced 15.875µm apart. Because the printing is bi-level, the input image should be dithered or error-diffused for best results. Typically a Memjet printhead for a particular application is page-width. This enables the printhead to be stationary and allows the paper to move past the printhead. A Memjet printhead is composed of a number of identical 1/2 inch Memjet segments.

The printer module 10 comprises a body 11 housing the Memjet printhead. Power is supplied by a three volt battery housed in battery compartment 12. The printhead is activated to commence printing when a business card (or similar sized printable media) is inserted into slot 13. Male connector 14 and female connector 15 facilitate connection of other modules to the printer module 10.

FIG 2 shows a camera module 20. The camera module provides a point-and-shoot camera component to the compact printer system as a means of capturing images. The camera module comprises a body 21 having a female

connector 22. A lens 23 directs an image to an image sensor and specialized image processing chip within the camera 24. A conventional view finder 25 is provided as well as a lens cap 26. An image is captured when the Take button 27 is pushed. Captured images are transferred to the Printer Module 10 for subsequent printing, manipulation, or storage. The Camera Module also contains a self-timer mode similar to that found on regular cameras.

5 FIG 3 shows a Memory Module 30 comprising a body 31, LCD 32, IN button 33, OUT button 34 and SELECT button 35. The Memory Module 30 is a standard module used for storing photographic images captured by the Camera 20. The memory module stores 48 images, each of which can be accessed either at full resolution or at thumbnail resolution. Full resolution provides read and write access to individual images, and thumbnail resolution provides read access to 16 images at once in thumbnail form.

10 The Memory Module 30 attaches to other modules via a female connector 36 or male connector 37. The male and female connectors allow the module to be connected at either end of a configuration. Power is provided from the Printer Module 10 via the Serial Bus.

15 A Communications Module 40 is shown in FIG 4. The communications module 40 consists of a connector 41 and a cable 42 that terminates in an appropriate connector for a computer port, such as a USB port, RS232 serial port or parallel port. The Communications Module 40 allows the compact printer system to be connected to a computer. When so connected, images can be transferred between the computer and the various modules of the compact printer system. The communications module allows captured images to be downloaded to the computer, and new images for printing to be uploaded into the printer module 10.

20 A Flash Module 50 is shown in FIG 5. The Flash Module 50 is used to generate a flash with flash cell 51 when taking photographs with the Camera Module 20. The Flash Module attaches to other modules via female connector 52 and male connector 53. It contains its own power source. The Flash Module is automatically selected by the Camera Module when required. A simple switch allows the Flash Module to be explicitly turned off to maximize battery life.

25 FIG 6 shows a Timer Module 60 that is used to automate the taking of multiple photos with the Camera Module 20, each photo separated by a specific time interval. The captured photos are stored in Memory Module 30. Any flash requirements are handled by the Camera Module 20, and can therefore be ignored by the Timer Module. The Timer Module 60 consists of a body 61 housing a LCD 62, START/STOP button 63 and UNITS button 64. A SELECT button 65 allows the user to select time units and the number of units are set by UNITS button 64. The Timer Module 60 includes a male connector 66 and female connector 67. The Timer Module takes its power from the Printer Module 10 via the Serial Bus.

30 A Laser Module 70 is shown in FIG 7. The Laser Module 70 consists of a body 71 containing a conventional laser pointer operated by button 72. As the Laser Module is a terminal module it only has one connector, which in the example is a male connector 73. The Laser Module is an isolated module, in that it does not perform any image capture, storage, or processing. It exists as a functional addition to the compact printer system. It is provided because laser pointer services are typically incorporated into other pen-like devices. The Laser Module contains its own power supply and does not appear as a device on the Serial Bus.

35 The Effects Module shown in FIG 8 is an image processing module. It allows a user to select a number of effects and applies them to the current image stored in the Printer Module 10. The effects include borders, clip-art, captions, warps, color changes, and painting styles. The Effects Module comprises a body 81 housing custom electronics and a LCD 82. A CHOOSE button 83 allows a user to choose between a number of different types of effects. A SELECT button 84 allows the user to select one effect from the number of effects of the chosen type. Pressing the APPLY button 85 applies the effect to image stored in the Printer Module 10. The Effects Module obtains power from the Serial Bus. Male connector 86 and female connector 87 allow the Effects Module to be connected to other compact printer system modules.

40

FIG 9 shows a Character Module 90 that is a special type of Effects Module (described above) that only contains character clip-art effects of a given topic or genre. Examples include The Simpsons[®], Star Wars[®], Batman[®], and Dilbert[®] as well as company specific modules for McDonalds[®] etc. As such it is an image processing module. It consists of a body 91 housing custom electronics and a LCD 92. SELECT button 93 allows the user to choose the effect that is to be applied with APPLY button 94. The Character Module obtains power from the Serial Bus through male connector 95 and female connector 96.

The Adaptor Module 100, shown in FIG 10, is a female/female connector that allows connection between two modules that terminate in male connectors. A male/male connector (not shown) allows connection between two modules that terminate in female connectors. The Adaptor Module is a housekeeping module, in that it facilitates the use of other modules, and does not perform any specific processing of its own.

All "through" modules have a male connector at one end, and a female connector at the other end. The modules can therefore be chained together, with each module connected at either end of the chain. However some modules, such as the Laser Module 70, are terminating modules, and therefore have either a male or female connector only. Such single-connector modules can only be connected at one end of the chain. If two such modules are to be connected at the one time, an Adaptor Module 100 is required.

FIG 11 shows a Pen Module 110 which is a pen in a module form. It is an isolated module in that it attaches to the compact printer system but is completely independent of any other module. It does not consume or require any power. The Pen Module is defined because it is a convenient extension of a pen shaped, pen sized device. It may also come with a cap 111. The cap may be used to keep terminating connectors clean in the case where the chain ends with a connector rather than a terminating module.

To assist with accurately feeding a business card sized print media into slot 13 of the printer module 10, a dispenser module 120 is provided as shown in FIG12. The dispenser module 120 comprises a body 121 that holds a store of business card sized print media. A Printer Module 10 locates into socket 122 on the dispenser module 120. When correctly aligned, a card dispensed from the dispenser module by slider 123 enters slot 13 and is printed.

In the sense that a minimum configuration compact printer system must be able to print out photos, a minimum compact printer configuration contains at least a Printer Module 10. The Printer Module holds a single photographic image that can be printed out via its Memjet printer. It also contains the 3V battery required to power the compact printer system.

In this minimum configuration, the user is only able to print out photos. Each time a user inserts a business card 130 into the slot in the Printer Module, the image in the Printer Module is printed onto the card. The same image is printed each time a business card is inserted into the printer. In this minimum configuration there is no way for a user to change the image that is printed. The dispenser module 120 can be used to feed cards 130 into the Printer Module with a minimum of fuss, as shown in FIG 13.

By connecting a Camera Module 20 to the minimum configuration compact printer system the user now has an instant printing digital camera in a pen, as shown in FIG 14. The Camera Module 20 provides the mechanism for capturing images and the Printer Module 10 provides the mechanism for printing them out. The battery in the Printer Module provides power for both the camera and the printer.

When the user presses the "Take" button 27 on the Camera Module 20, the image is captured by the camera 24 and transferred to the Printer Module 10. Each time a business card is inserted into the printer the captured image is printed out. If the user presses "Take" on the Camera Module again, the old image in the Printer Module is replaced by the new image.

If the Camera Module is subsequently detached from the compact printer system, the captured image remains in the Printer Module, and can be printed out as many times as desired. The Camera Module is simply there to capture images to be placed in the Printer Module.

FIG 15 shows a further configuration in which a Memory Module 30 is connected to the configuration of FIG 14. In the embodiment of FIG 15, the user has the ability to transfer images between the Printer Module 10 and a storage area contained in the Memory Module 30. The user selects the image number on the Memory Module, and then either sends that image to the Printer Module (replacing whatever image was already stored there), or brings the current image from the Printer Module to the specified image number in the Memory Module. The Memory Module also provides a way of sending sets of thumbnail images to the Printer Module.

Multiple Memory Modules can be included in a given system, extending the number of images that can be stored. A given Memory Module can be disconnected from one compact printer system and connected to another for subsequent image printing.

With the Camera Module 20 attached to a Memory Module/Printer Module compact printer system, as shown in FIG 15, the user can "Take" an image with the Camera Module, then transfer it to the specified image number in the Memory Module. The captured images can then be printed out in any order.

By connecting a Communications Module 40 to the minimum configuration compact printer system, the user gains the ability to transfer images between a PC and the compact printer system. FIG 16 shows the configuration of FIG 15 with the addition of a Communications Module 40. The Communications Module makes the Printer Module 10 and any Memory Modules 30 visible to an external computer system. This allows the download or uploading of images. The communications module also allows computer control of any connected compact printer modules, such as the Camera Module 20.

In the general case, the Printer Module holds the "current" image, and the other modules function with respect to this central repository of the current image. The Printer Module is therefore the central location for image interchange in the compact printer system, and the Printer Module provides a service to other modules as specified by user interaction.

Detailed views of the Printer Module 10 are shown in FIGs 17 and 18. The Printer Module 10 is the central module in the compact printer system. It contains a 2-inch Memjet printhead 16, a Cyan/Magenta/Yellow ink cartridge 17, the current image stored in flash memory on the printhead, and a power source in the form of a 3V battery 12a in the battery compartment 12. With regards to processing, the Printer Module 10 contains a controller 101 that incorporates an image processing chip to print the stored image in high quality, and a QA chip for ensuring the ink cartridge 17 does not run dry.

The Printer Module 10 can be used as a stand-alone printer of a single image (such as business cards), or can be used in conjunction with other modules to print a variety of images.

Looking in detail at FIG 17, the body 11 of the printer module is in three parts being a lid 11a, base 11b and chassis 11c. Printhead 16 with filter 16a fits into the chassis 11c. Powered rollers 18a are driven by motor and gearbox 103. Neutral rollers 18b fit into ink cartridge 17 and guide a card past the printhead 16. Springs 18c (FIG 18) are housed in the ink cartridge and urge the neutral rollers 18b towards the powered rollers 18a. The ink cartridge 17 is located beyond the rollers 18 so that the card passes between the printhead 16 and the ink cartridge 17. Ink inlets 105 provide communication between the ink cartridge 17 and the printhead 16. Micro-moulded channels 106 in the chassis 11c distribute the ink from the ink inlets 105 to the length of the printhead 16.

The structure of the ink cartridge 17 is shown more clearly in FIG 18. The cartridge 17 is formed from a back molding 172 and a front molding 173. The moldings are suitably plastic and are ultrasonically welded together. The back molding 172 has two webs 174 that extend to the front molding and divide the cartridge into three chambers, 175y holding yellow ink, 175m holding magenta ink and 175c holding cyan ink. If a CMYK ink scheme is used there will be an extra web to define four chambers.

The front molding 173 has two sockets 176 to receive the neutral rollers 18b and springs 18c. As seen in FIG 17, the card to be printed moves between the neutral rollers 18b housed in the sockets 176 in the cartridge 17 and the powered rollers 18a adjacent the printhead 16 mounted in the chassis 11c. It will be appreciated that this means that the ink

cartridge is on the opposite side of the printed media from the printhead. The inventor has found that this provides the most efficient use of space in a compact printing system.

A QA chip in the ink cartridge contains information required for maintaining the best possible print quality. It manages 256 bits of data allocated as follows:

M[n]	Access	Description
0	RO ^a	Basic Header, Flags etc. (16 bits)
1	RO	Serial number (16 bits)
2	RO	Batch number (16 bits)
3	RO	Reserved for future expansion (must be 0)
4-5	RO	Cyan ink properties (32 bits)
6-7	RO	Magenta ink properties (32 bits)
8-9	RO	Yellow ink properties (32 bits)
10-11	DO ^b	Cyan ink remaining in nanolitres (32 bits)
12-13	DO	Magenta ink remaining in nanolitres (32 bits)
14-15	DO	Yellow ink remaining in nanolitres (32 bits)

5

Before each print, the amount of ink remaining is checked by the controller in the printer module to ensure that there is enough for a worst-case page (a full coverage print). Once the image has been printed, the controller multiplies the total number of drops of each color by the drop volume. The amount of printed ink is subtracted from the amount of ink remaining. The unit of measurement for ink remaining is nanolitres, so 32 bits can represent over 4 liters of ink. The amount of ink used for a page must be rounded up to the nearest nanolitre (i.e. approximately 1000 printed dots)

10

The volume of ink present in an ink cartridge is 450 ml (2mm x 3mm x 75mm), enough to produce 450 million dots of a given color. The exact number of images that can be printed before replacement will depend on the color composition of those images. 450 ml represents:

15

- 25 full black cards (black requires all three colors to be used)
- 50 full sized photos at 50% CMY coverage
- 111 typical photo/text cards at 22.5% CMY coverage
- 166 cards of black (CMY) text at 15% coverage

If there is insufficient ink of any color to print a given image, the card will pass through the printer module, but nothing will be printed. It is a simple matter to replace the old ink cartridge 17 by sliding latch 171, removing lid 11a, unclipping the old cartridge and clipping on a new one.

20

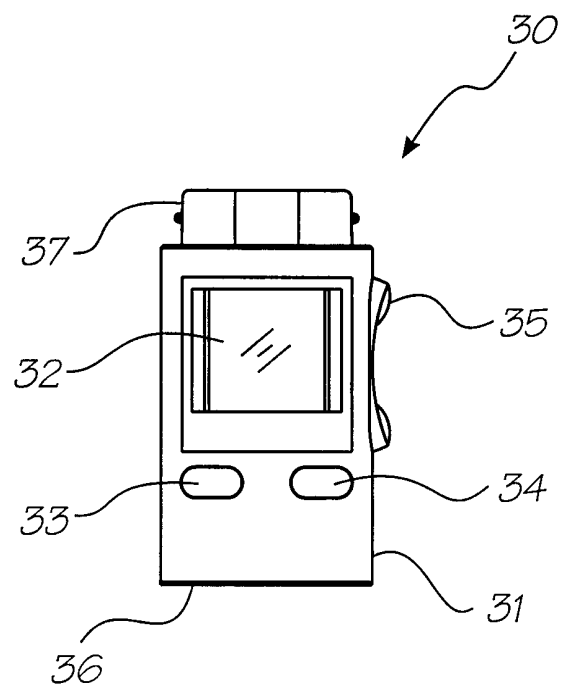
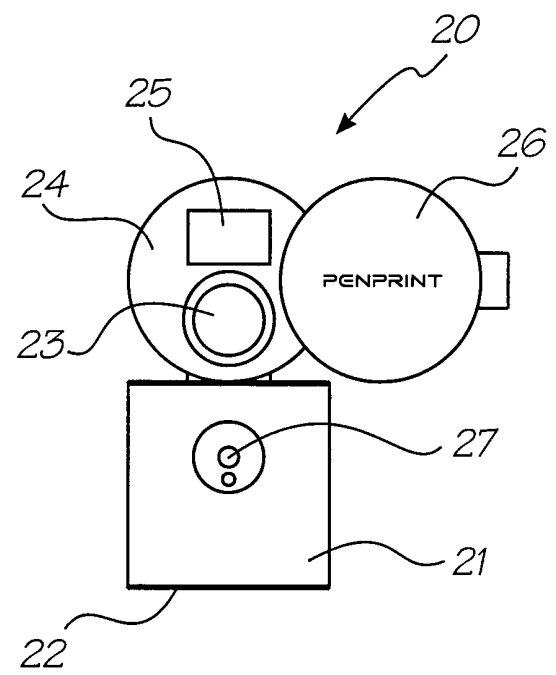
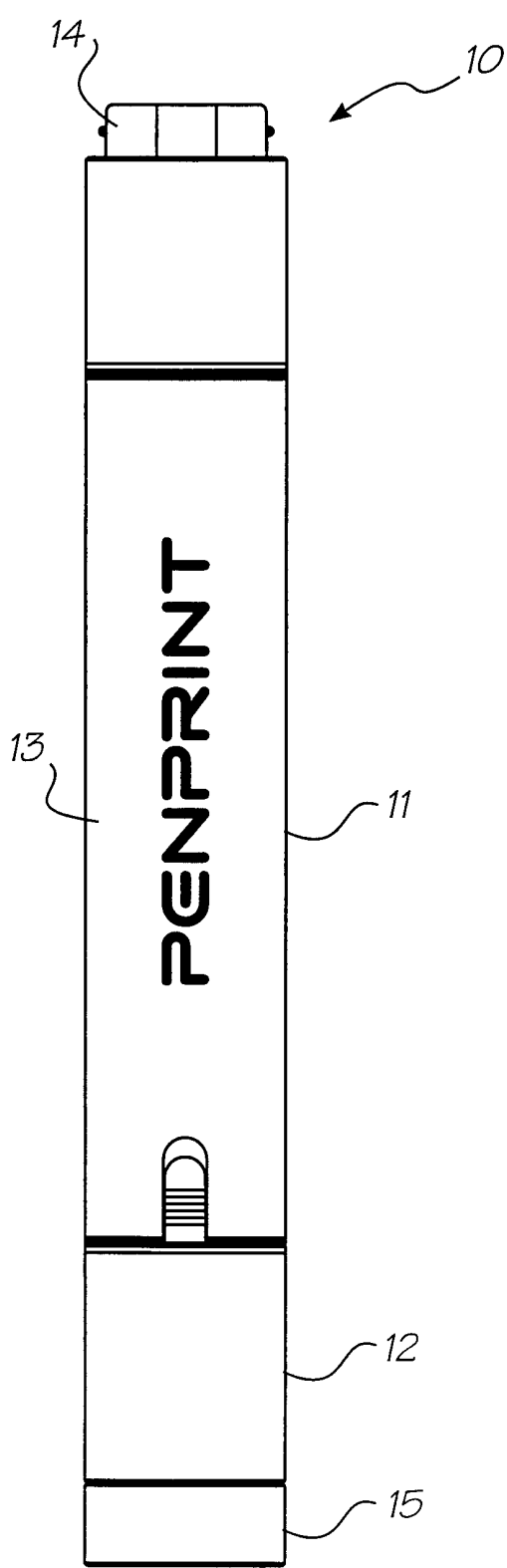
The QA chip in the ink cartridge communicates with the QA chip on the controller 101 via contacts 109 to authenticate the ink cartridge. If only a single chip is used, a clone ink cartridge manufacturer could usurp the authentication mechanism.

25

Throughout the specification the aim has been to describe the preferred embodiments of the invention without limiting the invention to any one embodiment or specific collection of features. Persons skilled in the relevant art may realize variations from the specific embodiments that will nonetheless fall within the scope of the invention.

CLAIMS

1. An ink cartridge for a printer module having a full-width stationary printhead for printing an image on printable media comprising:
a molded body defining a number of ink containing chambers;
5 means communicating with said chambers for supplying ink to said printhead;
characterized by said ink cartridge being located on an opposite side of said printable media from said printhead.
2. The ink cartridge of claim 1 further comprising one or more rollers for urging said printable media past said printhead.
3. The ink cartridge of claim 2 wherein said rollers are neutral rollers that act in cooperation with powered rollers
10 adjacent said printhead in said print module to urge said printable media past said printhead.
4. The ink cartridge of claim 3 wherein there are two neutral rollers and two powered rollers.
5. The ink cartridge of claim 1 wherein said molded body has a generally elongate body.
6. The ink cartridge of claim 5 wherein said molded body has a generally semi-cylindrical body.
7. The ink cartridge of claim 1 further comprising ink outlets communicating with ink inlets on said printhead.
- 15 8. The ink cartridge of claim 1 further comprising ink level monitoring means in said ink cartridge in signal communication with a controller in said printer module.



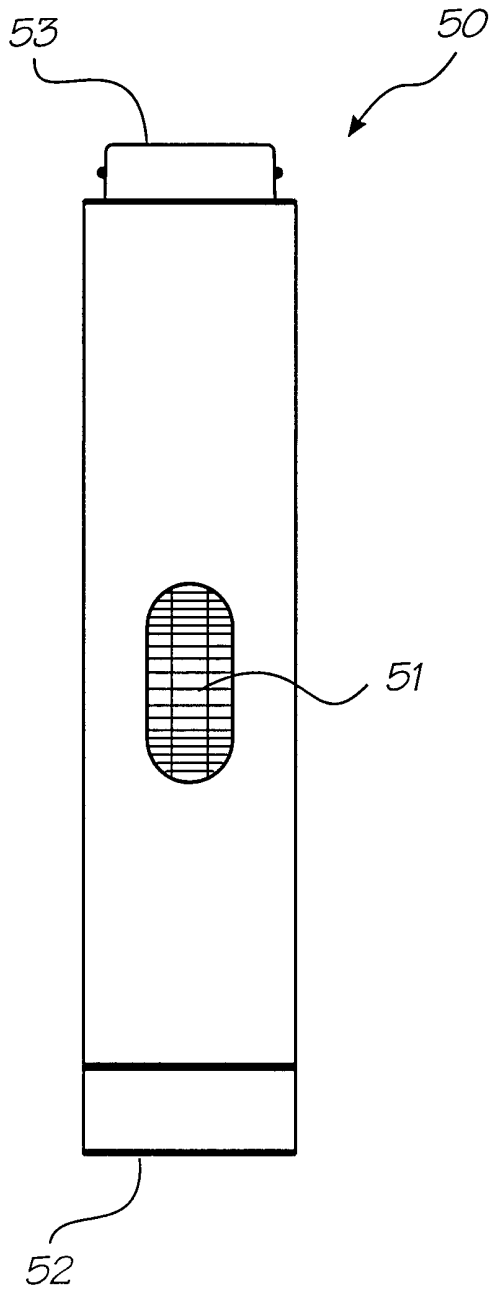


FIG. 5

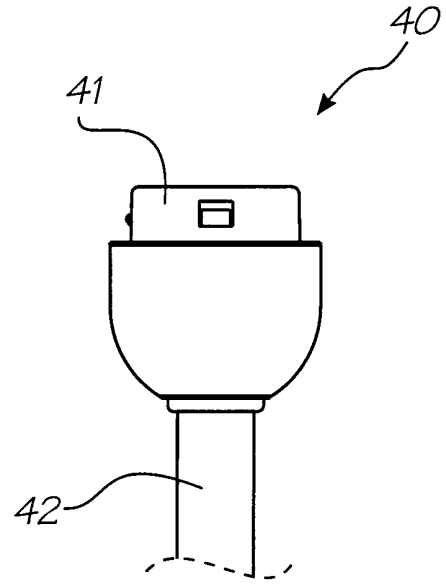


FIG. 4

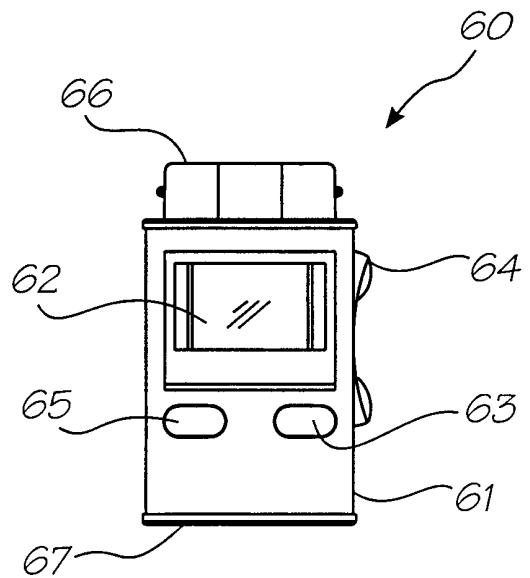


FIG. 6

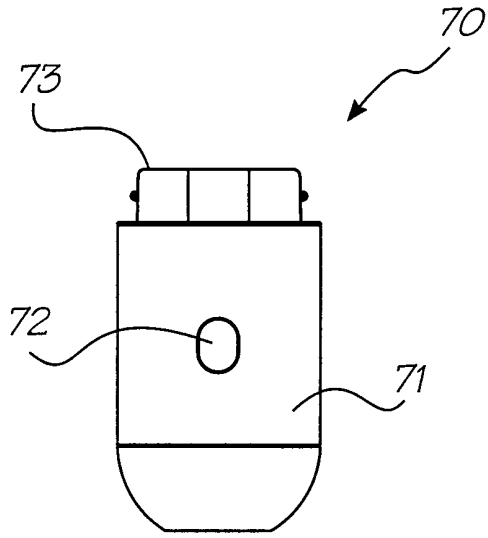


FIG. 7

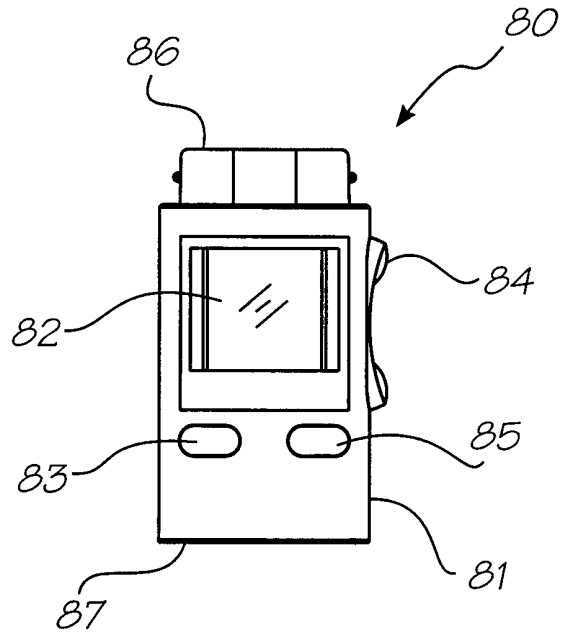


FIG. 8

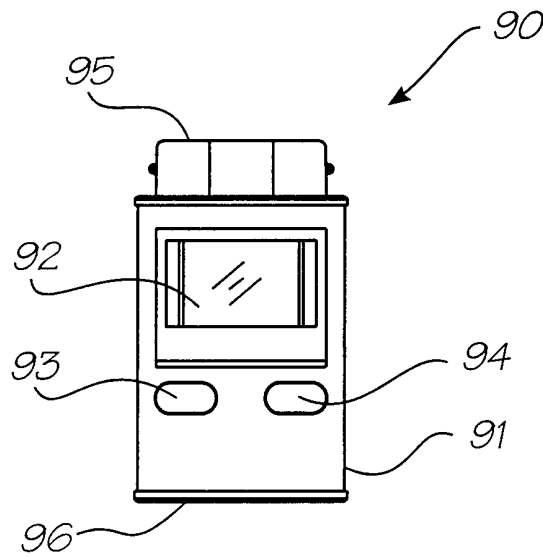


FIG. 9

4/11

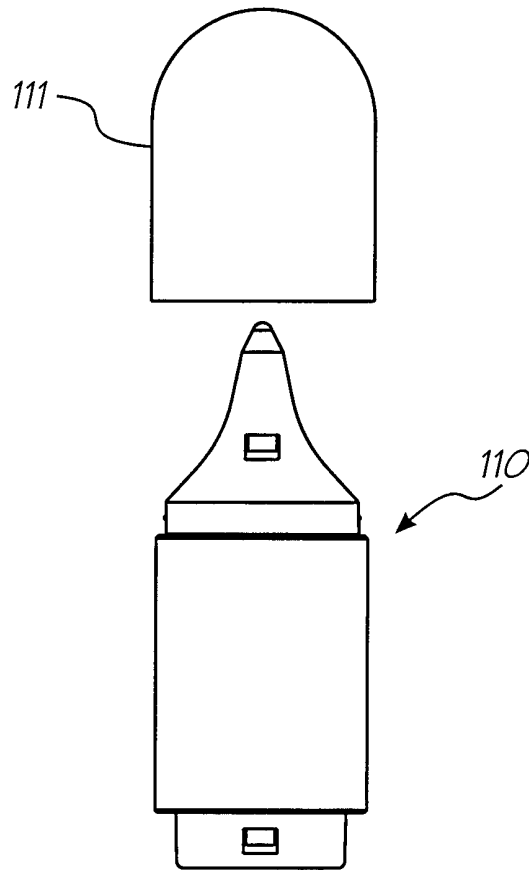


FIG. 11

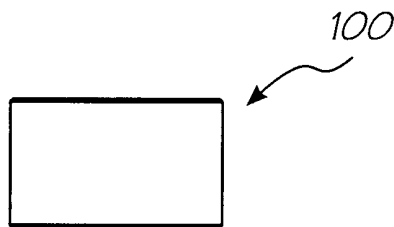


FIG. 10

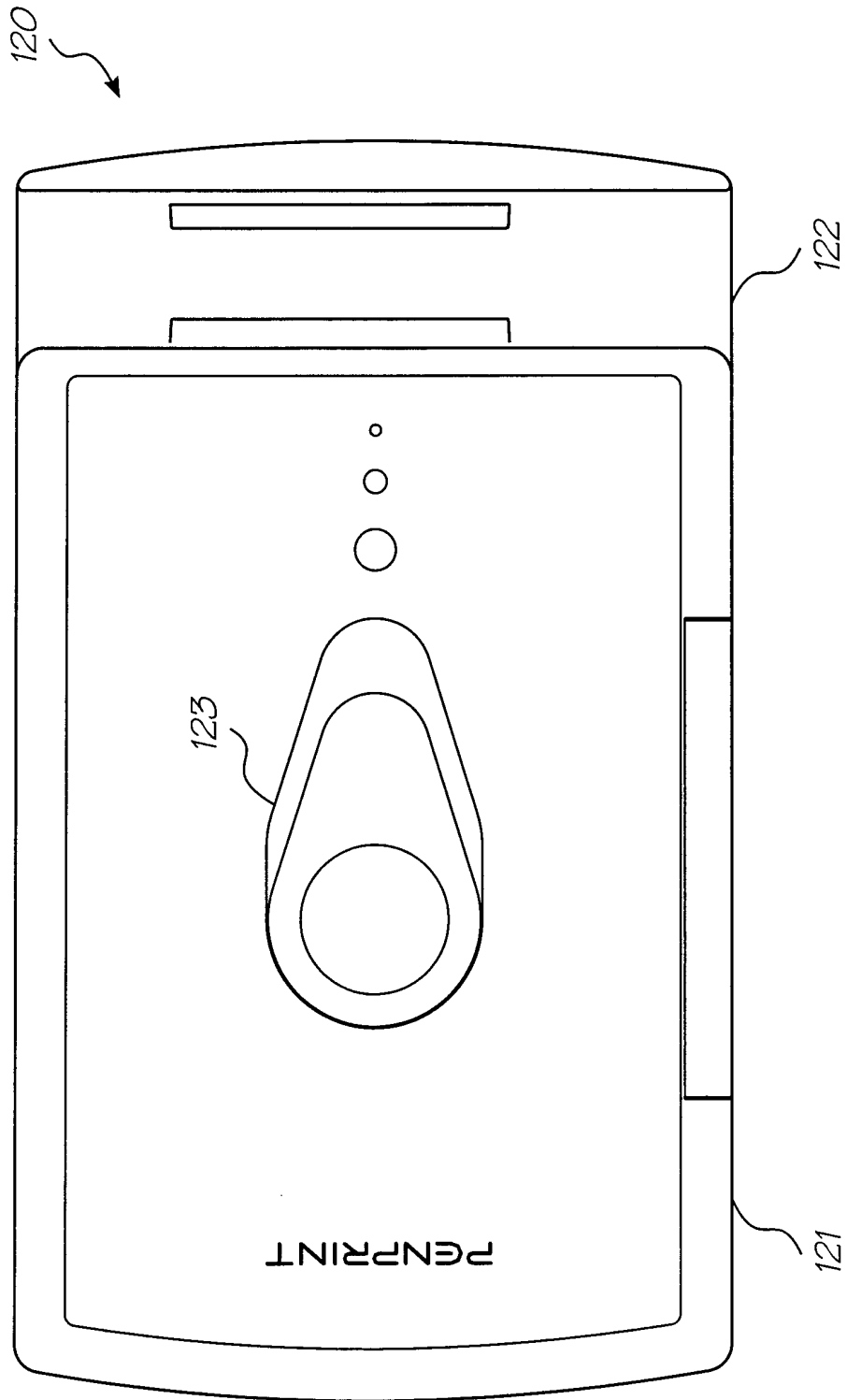


FIG. 12

6/11

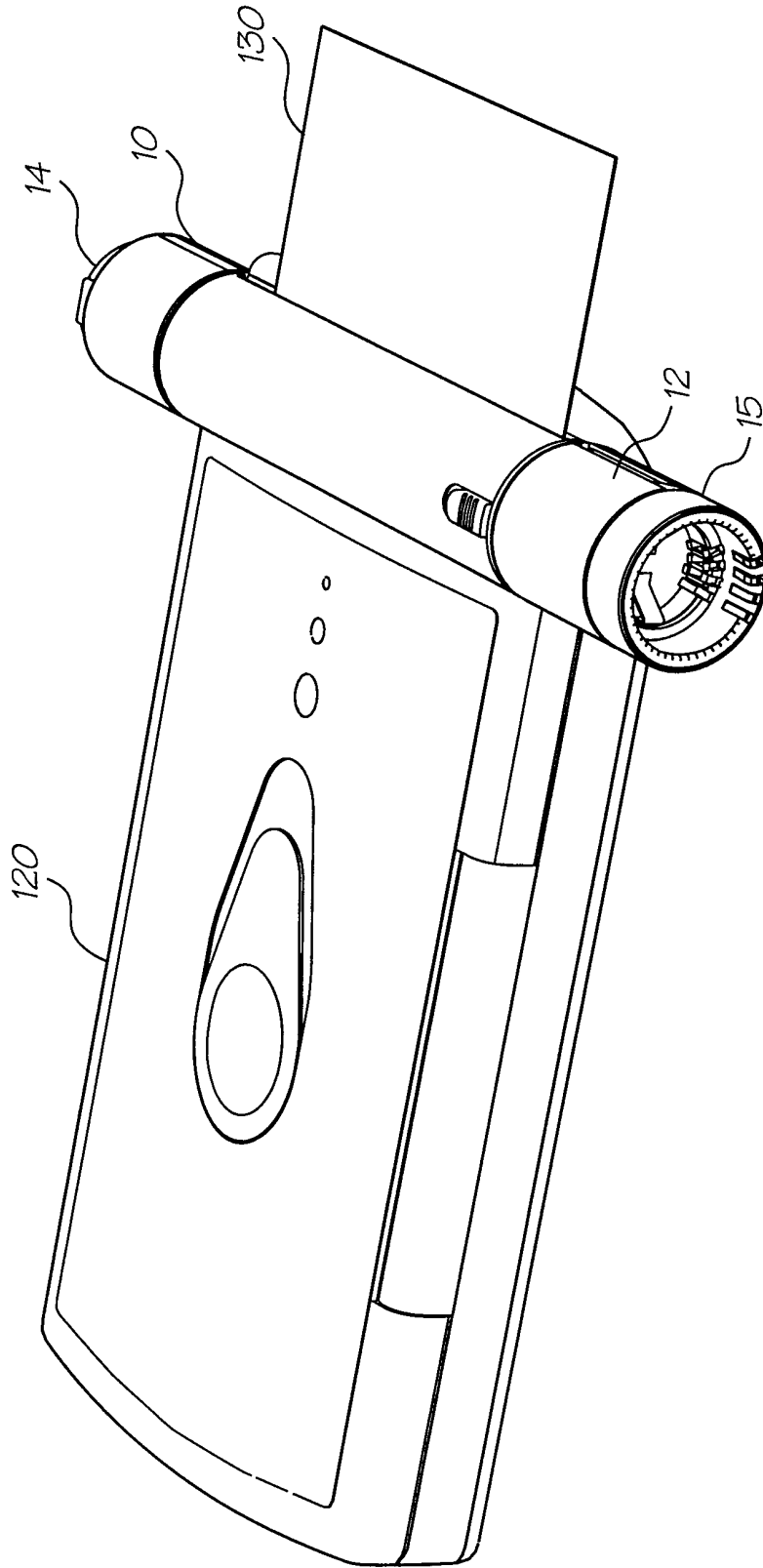


FIG. 13

7/11

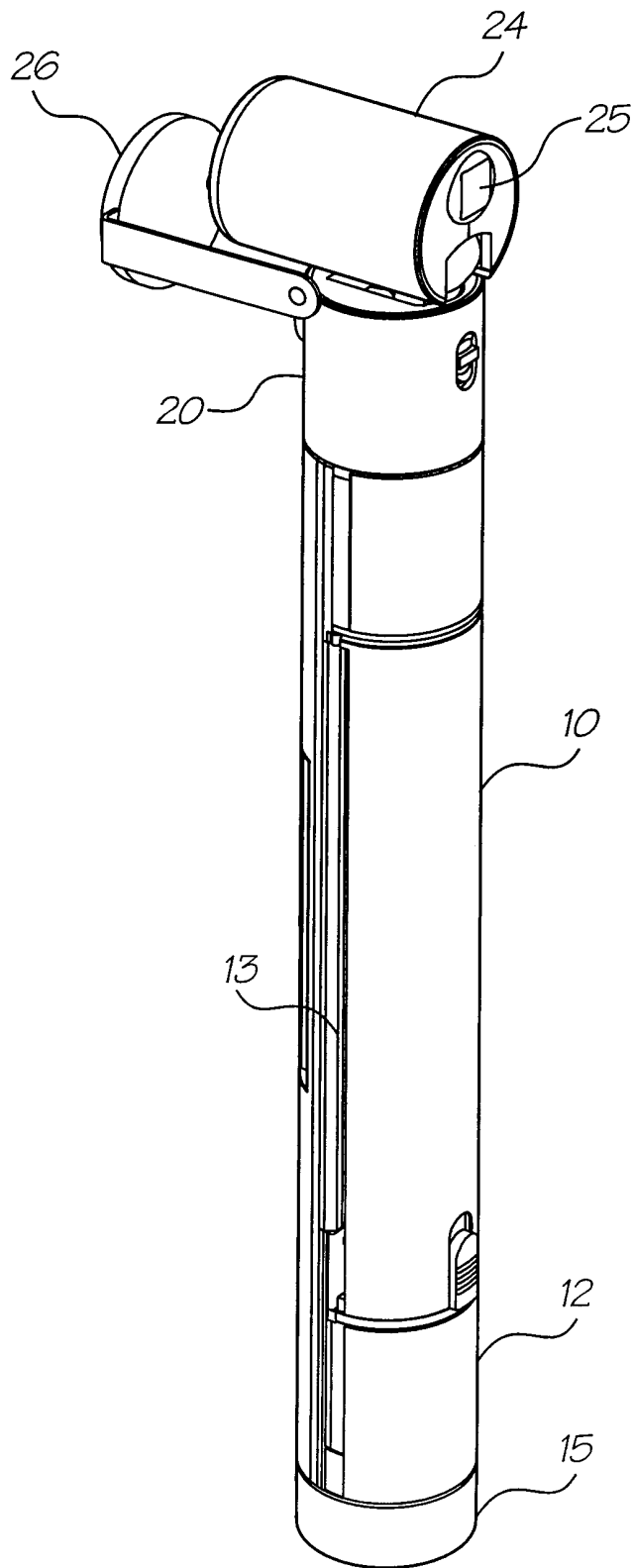


FIG. 14

8/11

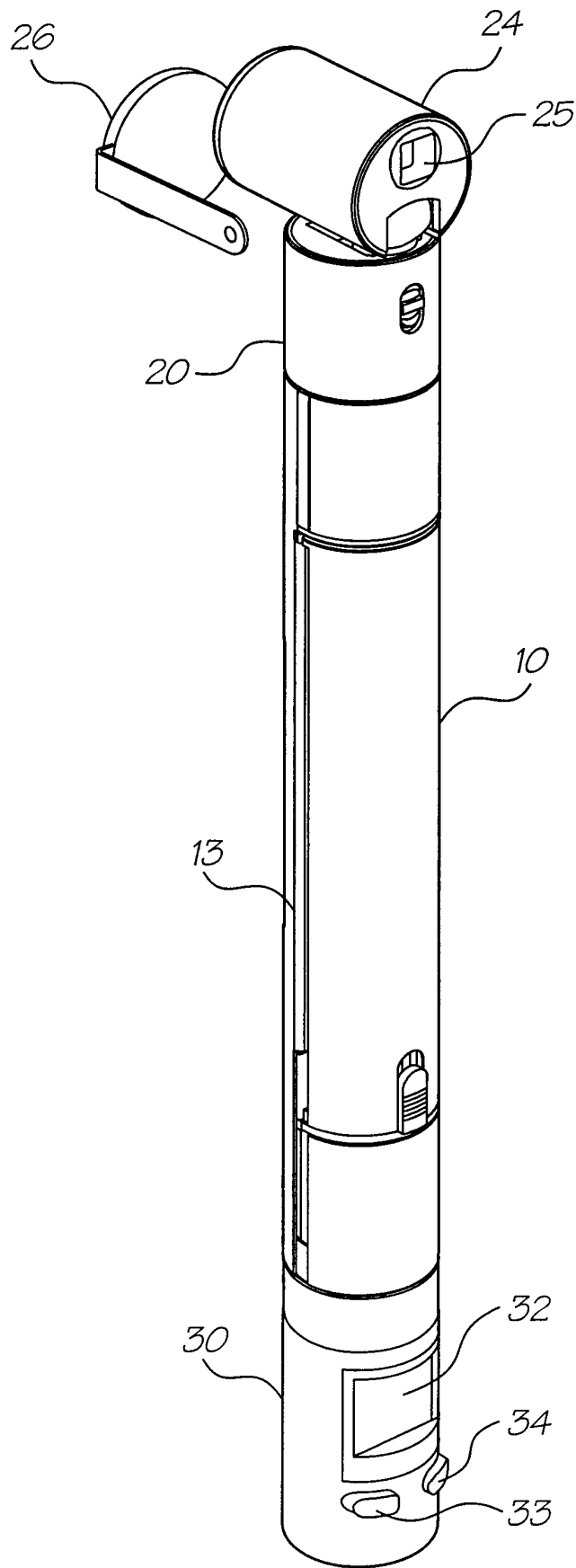


FIG. 15

9/11

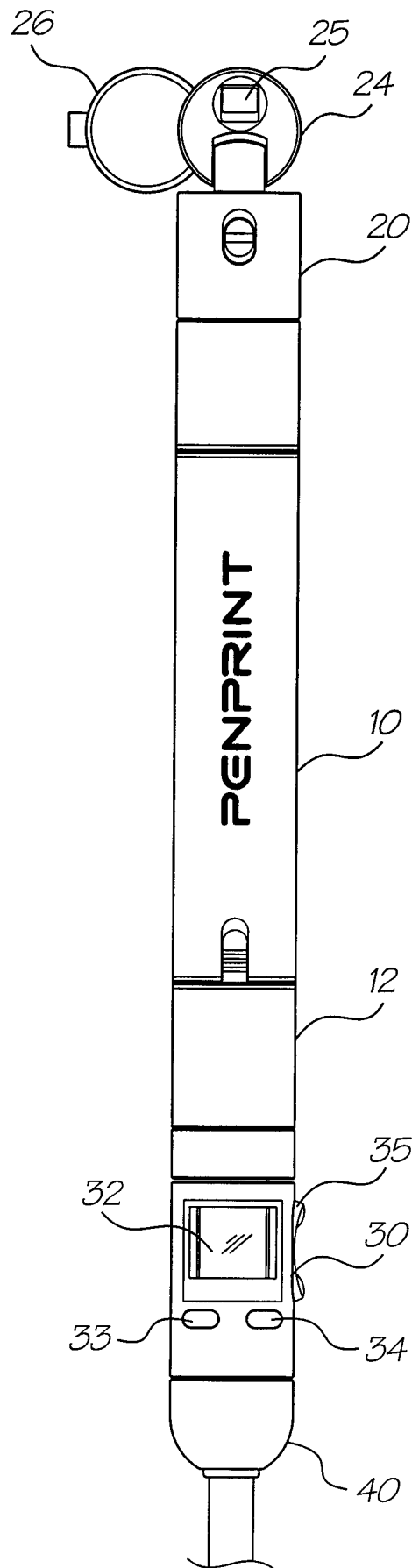


FIG. 16

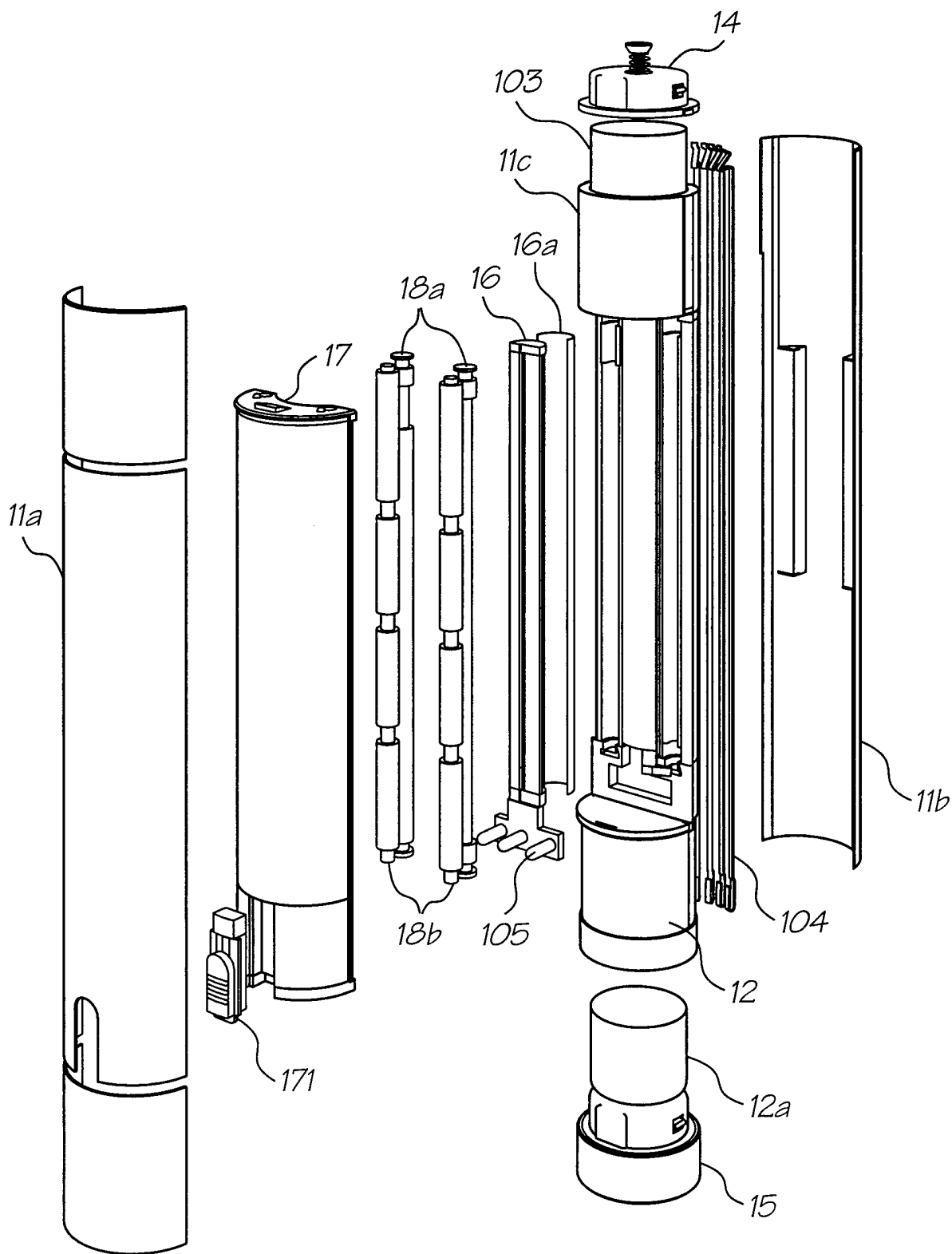


FIG. 17

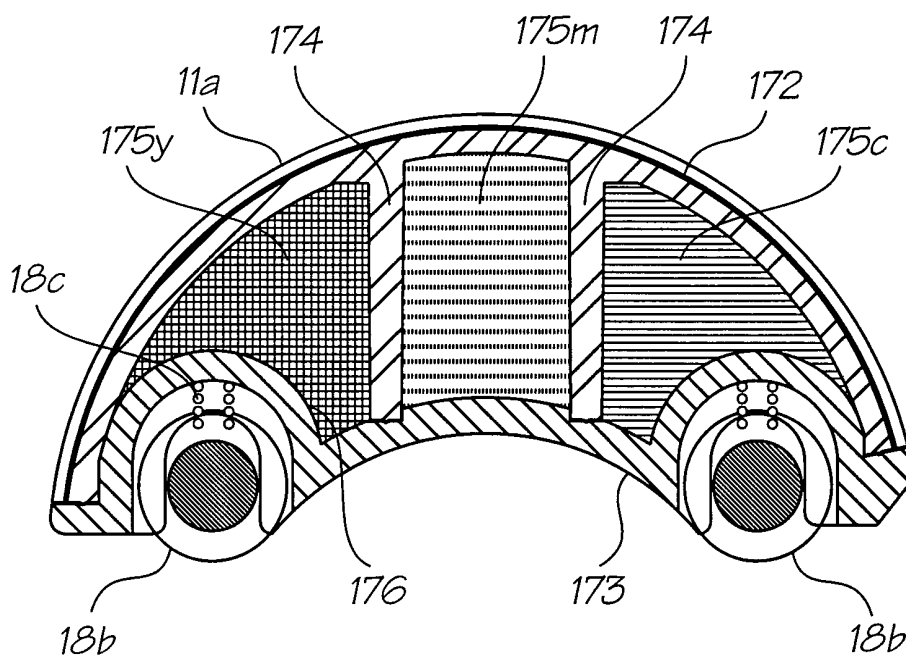


FIG. 18

INTERNATIONAL SEARCH REPORT

International application No.
PCT/AU00/00504

A. CLASSIFICATION OF SUBJECT MATTER																						
Int. Cl. ⁷ : B41J 2/175, 3/36																						
According to International Patent Classification (IPC) or to both national classification and IPC																						
B. FIELDS SEARCHED																						
Minimum documentation searched (classification system followed by classification symbols) INT. CL. B41J																						
Documentation searched other than minimum documentation to the extent that such documents are included in the fields searched																						
Electronic data base consulted during the international search (name of data base and, where practicable, search terms used) WPAT																						
C. DOCUMENTS CONSIDERED TO BE RELEVANT																						
Category*	Citation of document, with indication, where appropriate, of the relevant passages	Relevant to claim No.																				
X	WO 99/04368 A (SILVERBROOK RESEARCH P/L) 28 January 1999 Pages 177-179, figures 162-164. Pages 317-318, figures 227-230. Pages 352-353, figure 295. Pages 360-361, figure 316.	1-8																				
X,P	WO 00/28379 A (SILVERBROOK RESEARCH P/L) 18 May 2000 Pages 31 to 37, figures 75 to 91	1,2,5,7,8																				
X,P	EP 965451 A (CANON KK) 22 December 1999 Whole document	1,5,7,8																				
<input type="checkbox"/> Further documents are listed in the continuation of Box C <input checked="" type="checkbox"/> See patent family annex																						
<p>* Special categories of cited documents:</p> <table border="0"> <tr> <td>"A"</td> <td>document defining the general state of the art which is not considered to be of particular relevance</td> <td>"T"</td> <td>later document published after the international filing date or priority date and not in conflict with the application but cited to understand the principle or theory underlying the invention</td> </tr> <tr> <td>"E"</td> <td>earlier application or patent but published on or after the international filing date</td> <td>"X"</td> <td>document of particular relevance; the claimed invention cannot be considered novel or cannot be considered to involve an inventive step when the document is taken alone</td> </tr> <tr> <td>"L"</td> <td>document which may throw doubts on priority claim(s) or which is cited to establish the publication date of another citation or other special reason (as specified)</td> <td>"Y"</td> <td>document of particular relevance; the claimed invention cannot be considered to involve an inventive step when the document is combined with one or more other such documents, such combination being obvious to a person skilled in the art</td> </tr> <tr> <td>"O"</td> <td>document referring to an oral disclosure, use, exhibition or other means</td> <td>"&"</td> <td>document member of the same patent family</td> </tr> <tr> <td>"P"</td> <td>document published prior to the international filing date but later than the priority date claimed</td> <td></td> <td></td> </tr> </table>			"A"	document defining the general state of the art which is not considered to be of particular relevance	"T"	later document published after the international filing date or priority date and not in conflict with the application but cited to understand the principle or theory underlying the invention	"E"	earlier application or patent but published on or after the international filing date	"X"	document of particular relevance; the claimed invention cannot be considered novel or cannot be considered to involve an inventive step when the document is taken alone	"L"	document which may throw doubts on priority claim(s) or which is cited to establish the publication date of another citation or other special reason (as specified)	"Y"	document of particular relevance; the claimed invention cannot be considered to involve an inventive step when the document is combined with one or more other such documents, such combination being obvious to a person skilled in the art	"O"	document referring to an oral disclosure, use, exhibition or other means	"&"	document member of the same patent family	"P"	document published prior to the international filing date but later than the priority date claimed		
"A"	document defining the general state of the art which is not considered to be of particular relevance	"T"	later document published after the international filing date or priority date and not in conflict with the application but cited to understand the principle or theory underlying the invention																			
"E"	earlier application or patent but published on or after the international filing date	"X"	document of particular relevance; the claimed invention cannot be considered novel or cannot be considered to involve an inventive step when the document is taken alone																			
"L"	document which may throw doubts on priority claim(s) or which is cited to establish the publication date of another citation or other special reason (as specified)	"Y"	document of particular relevance; the claimed invention cannot be considered to involve an inventive step when the document is combined with one or more other such documents, such combination being obvious to a person skilled in the art																			
"O"	document referring to an oral disclosure, use, exhibition or other means	"&"	document member of the same patent family																			
"P"	document published prior to the international filing date but later than the priority date claimed																					
Date of the actual completion of the international search 21 July 2000		Date of mailing of the international search report 3 August 2000 (03.08.00)																				
Name and mailing address of the ISA/AU AUSTRALIAN PATENT OFFICE PO BOX 200, WODEN ACT 2606, AUSTRALIA E-mail address: pct@ipaaustralia.gov.au Facsimile No. (02) 6285 3929		Authorized officer SIMON OCHSENBEIN Telephone No : (02) 6283 2781																				

INTERNATIONAL SEARCH REPORT
Information on patent family members

International application No.
PCT/AU00/00504

This Annex lists the known "A" publication level patent family members relating to the patent documents cited in the above-mentioned international search report. The Australian Patent Office is in no way liable for these particulars which are merely given for the purpose of information.

Patent Document Cited in Search Report		Patent Family Member					
WO	9904368	AU	83235/98	EP	997033	US	6071750
		WO	9904551	AU	83227/98	EP	999933
		WO	9903680	WO	9903681	AU	83236/98
		AU	83238/98	EP	999934	US	6041600
		US	6044646				
END OF ANNEX							