



US0D1052012S

(12) **United States Design Patent**
Luo

(10) **Patent No.:** **US D1,052,012 S**

(45) **Date of Patent:** **** Nov. 19, 2024**

(54) **EXERCISE BIKE**

(71) Applicant: **Fujian Yesoul Health Technology Co., Ltd.**, Fujian (CN)

(72) Inventor: **Shaomeng Luo**, Fujian (CN)

(73) Assignee: **Fujian YESOUL Health Technology Co., Ltd.**, Fujian (CN)

(**) Term: **15 Years**

(21) Appl. No.: **29/826,493**

(22) Filed: **Feb. 14, 2022**

(51) **LOC (14) Cl.** **21-02**

(52) **U.S. Cl.**
USPC **D21/663**

(58) **Field of Classification Search**
USPC D21/662, 663, 664, 665-671, 673, 685, D21/694, 696, 697; D12/11
CPC . A63B 22/0605; A63B 21/225; A63B 22/001; A63B 22/0012; A63B 21/4033; A63B 21/4049; A63B 69/16
See application file for complete search history.

(56) **References Cited**

U.S. PATENT DOCUMENTS

D275,589 S *	9/1984	Gustafsson	D21/667
D299,504 S *	1/1989	Hong	D21/667
D460,794 S *	7/2002	Baker	D21/667
D571,417 S *	6/2008	Su	D21/667
D579,989 S *	11/2008	Bingham, Jr.	D21/667
D586,409 S *	2/2009	Keiser	D21/667
D616,050 S *	5/2010	Lull	D21/667
D625,762 S *	10/2010	Fon	D21/667
D636,449 S *	4/2011	Wu	D21/667
D649,203 S *	11/2011	Zhang	D21/667
D649,204 S *	11/2011	Zhang	D21/667
D654,125 S *	2/2012	van der Meer	D21/667
D656,566 S *	3/2012	Decommer	D21/667

D677,349 S *	3/2013	Baudhuin	D21/667
D677,350 S *	3/2013	Goldberg	D21/667
D677,746 S *	3/2013	Baudhuin	D21/667
D682,371 S *	5/2013	Baudhuin	D21/667
D682,954 S *	5/2013	Cornejo	D21/667
D684,223 S *	6/2013	Cornejo	D21/667
D709,566 S *	7/2014	Baudhuin	D21/667
D789,465 S *	6/2017	Ladd	D8/367
D791,252 S *	7/2017	Pürschel	D21/667
D794,724 S *	8/2017	Tasca	D21/663
D873,933 S *	1/2020	Bennett	D21/667
D874,584 S *	2/2020	Alessandri	D21/663
D909,497 S *	2/2021	Goldberg	D21/667

(Continued)

OTHER PUBLICATIONS

Yesoulhomegym, "Yesoul C1H Exercise Bike", Access Date: Oct. 24, 2023. <https://www.yesoulhomegym.com/en/product-p3150.html> (Year: 2023).*

(Continued)

Primary Examiner — Michael A Maharajh

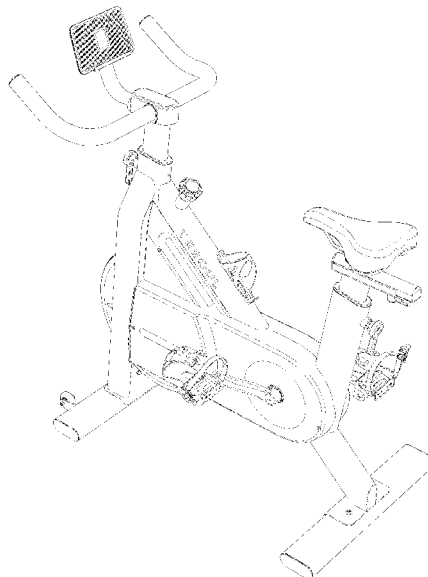
(57) **CLAIM**

The ornamental design for an exercise bike as shown and described.

DESCRIPTION

FIG. 1 is a perspective view of an exercise bike showing embodiment 1 of my new design;
FIG. 2 is a front elevation view thereof;
FIG. 3 is a rear elevation view thereof;
FIG. 4 is a left side elevation view thereof;
FIG. 5 is a right side elevation view thereof;
FIG. 6 is a top plan view thereof; and,
FIG. 7 is a bottom plan view thereof.
The broken lines shown in the figures are for the purposes of illustrating portions of the exercise bike, which form no part of the claimed design.

1 Claim, 7 Drawing Sheets



(56)

References Cited

U.S. PATENT DOCUMENTS

D963,075 S * 9/2022 Matsushita D21/663

OTHER PUBLICATIONS

Yesoulhomegym, "Yesoul M2 Self Generation Exercise Bike",
Access Date: Oct. 24, 2023. [https://www.yesoulhomegym.com/en/
product-p7270.html](https://www.yesoulhomegym.com/en/product-p7270.html) (Year: 2023).*

* cited by examiner

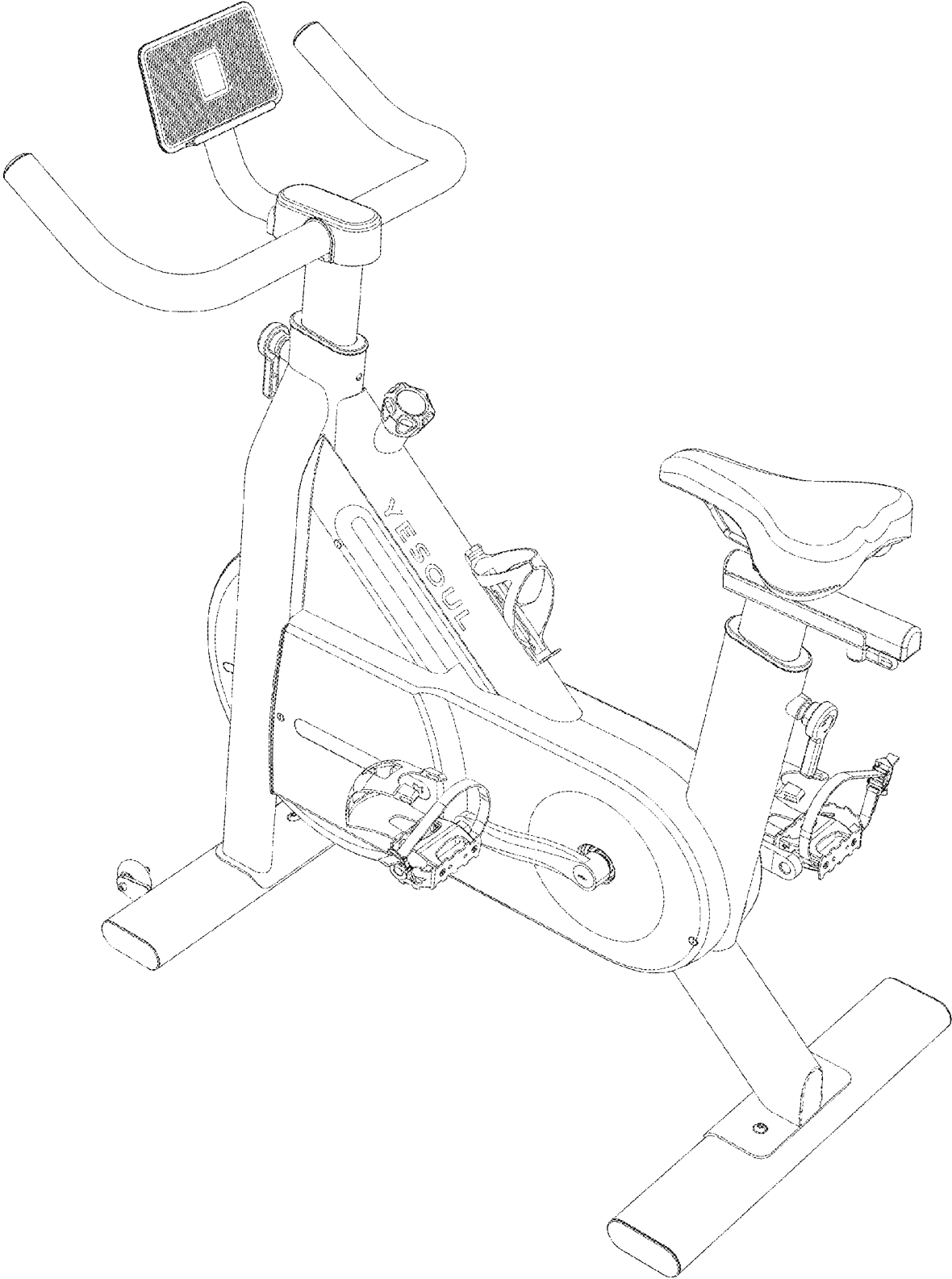


FIG. 1

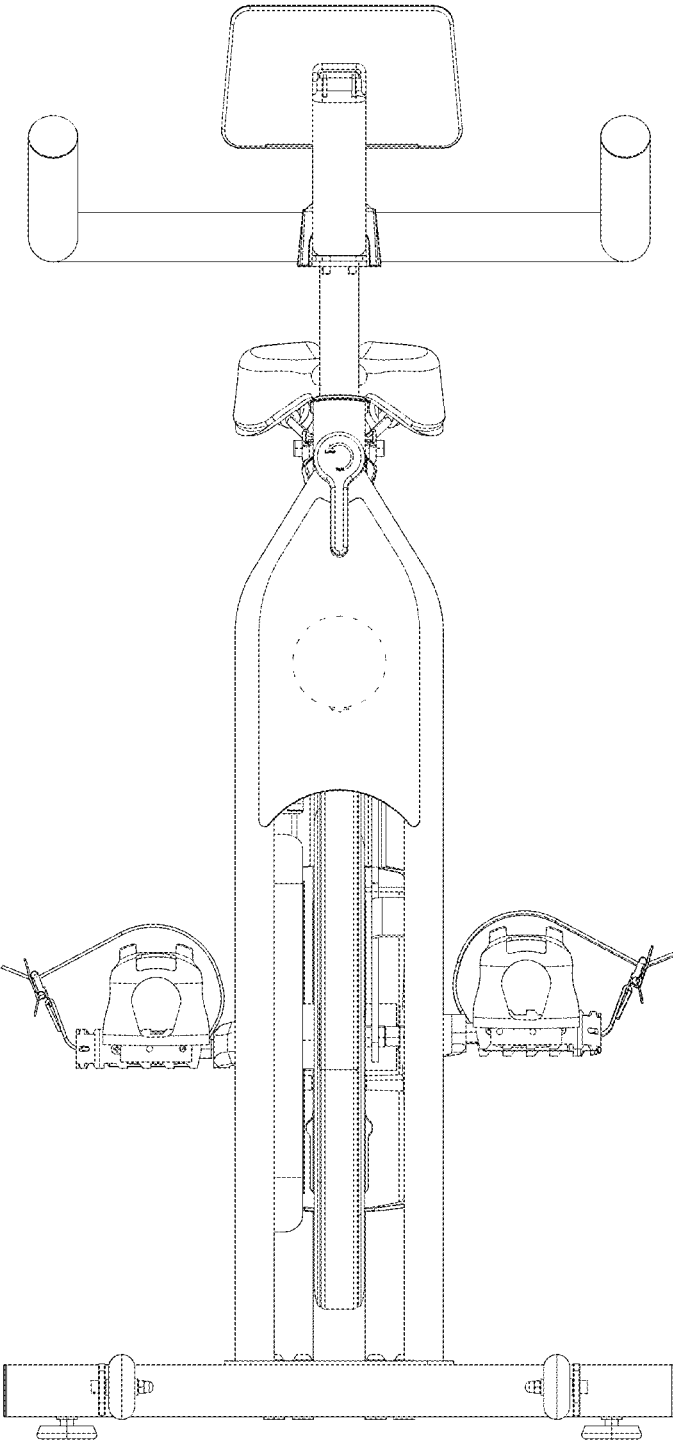


FIG. 2

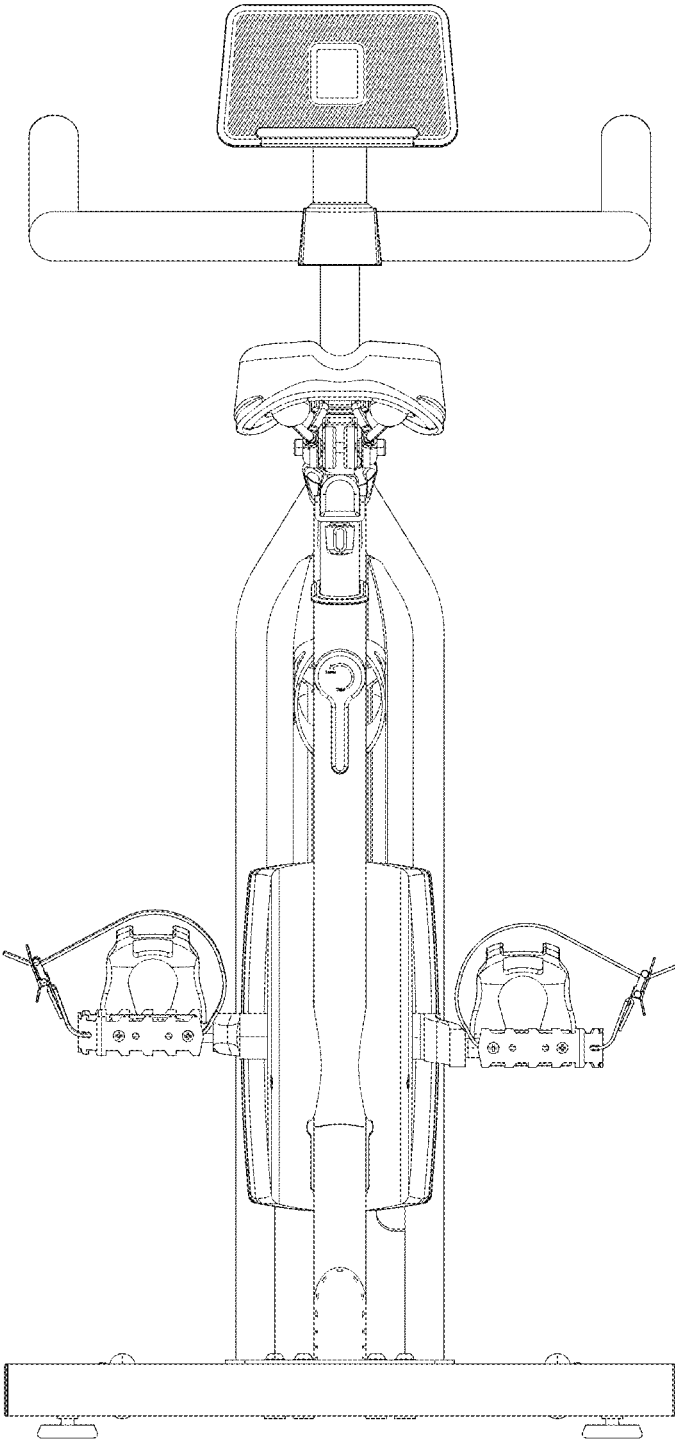


FIG. 3

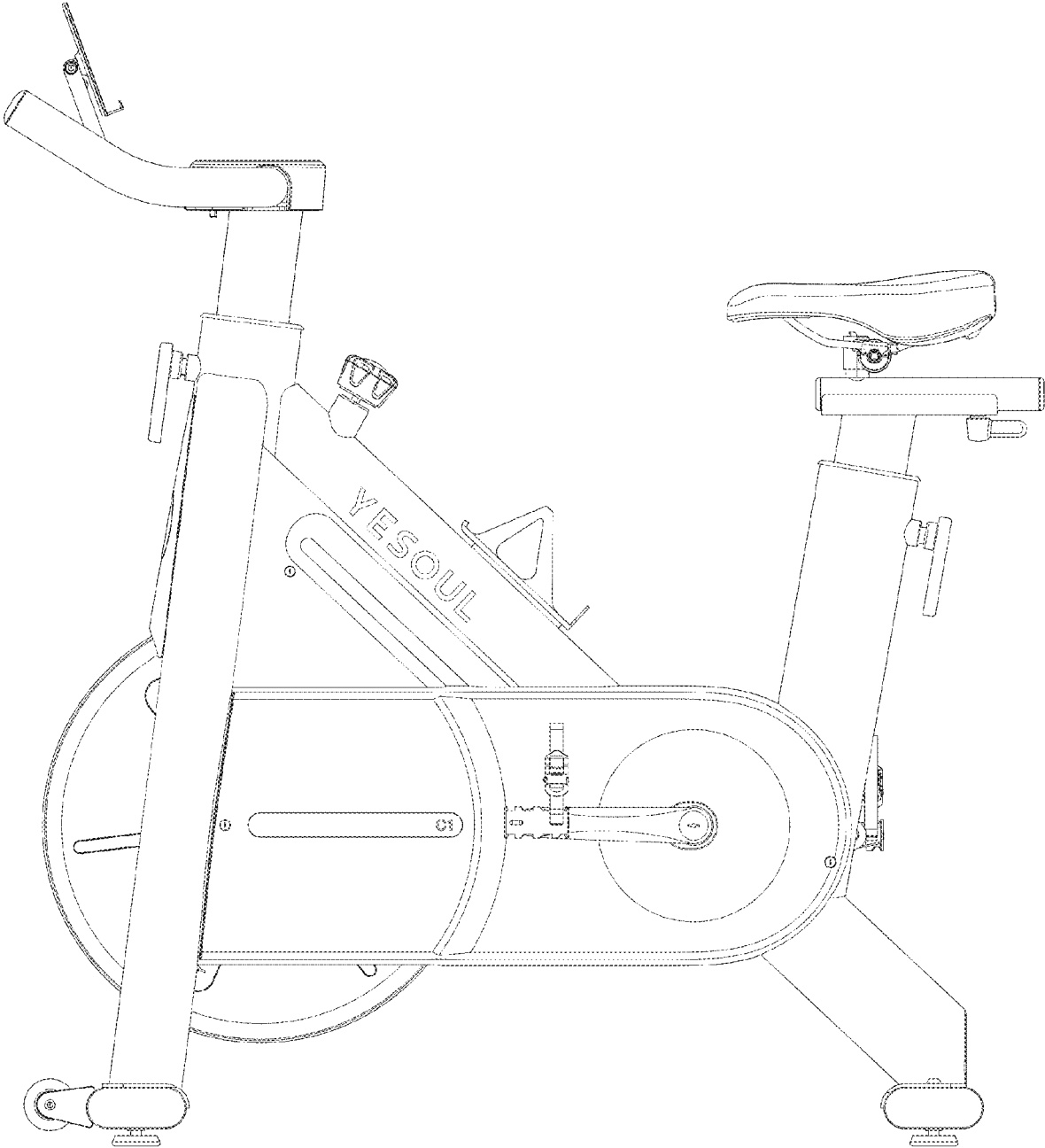


FIG. 4

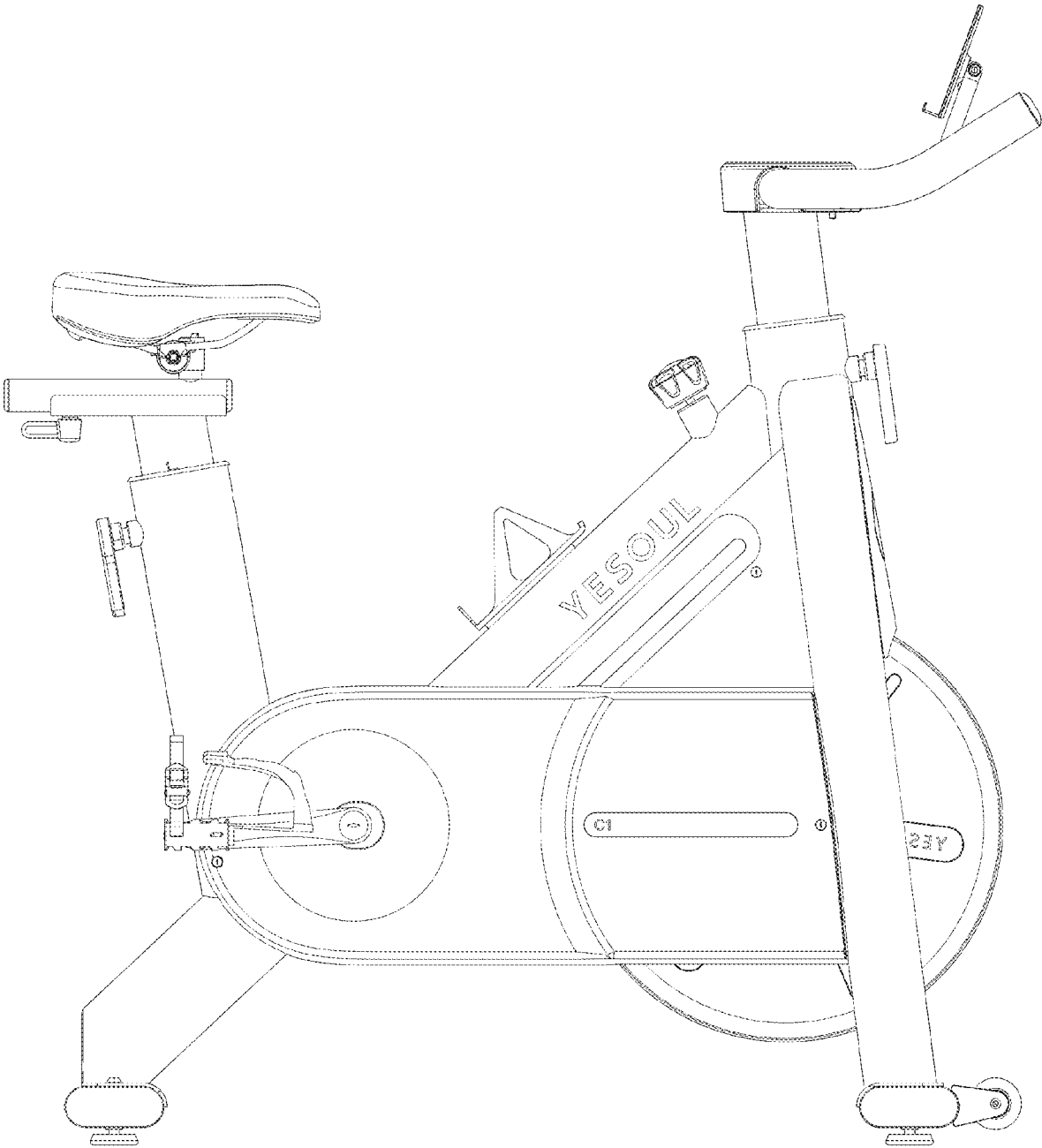


FIG. 5

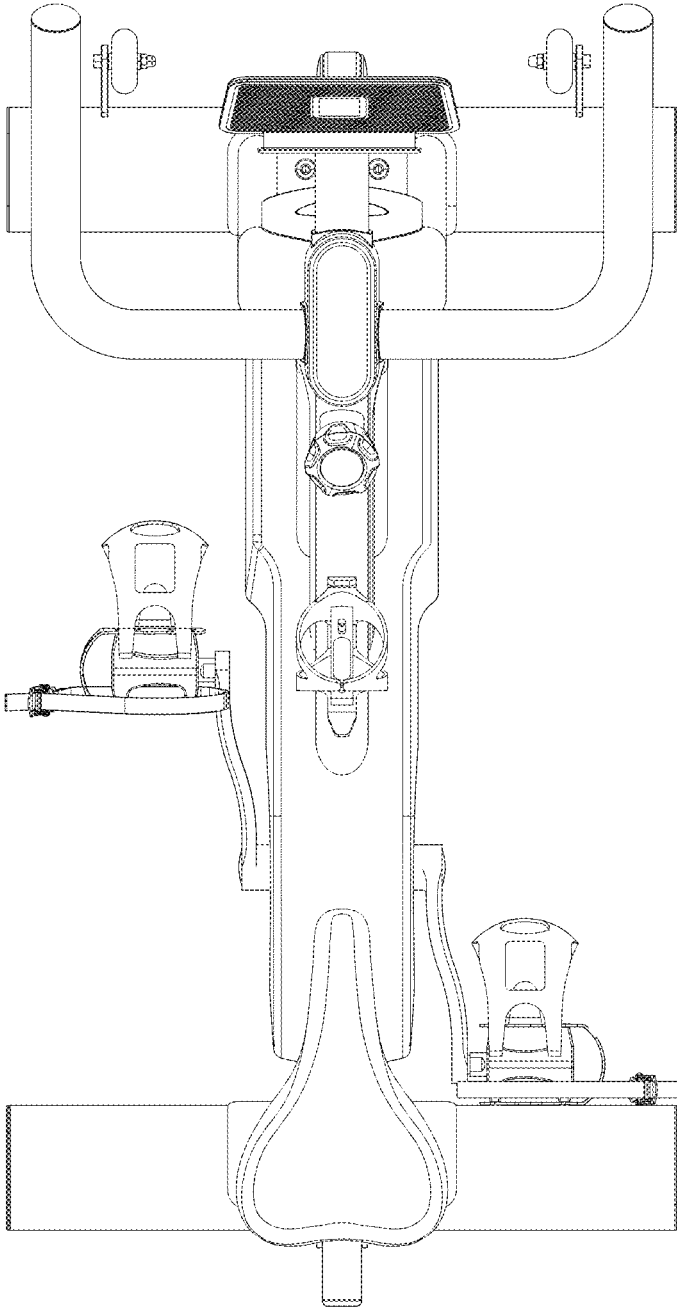


FIG. 6

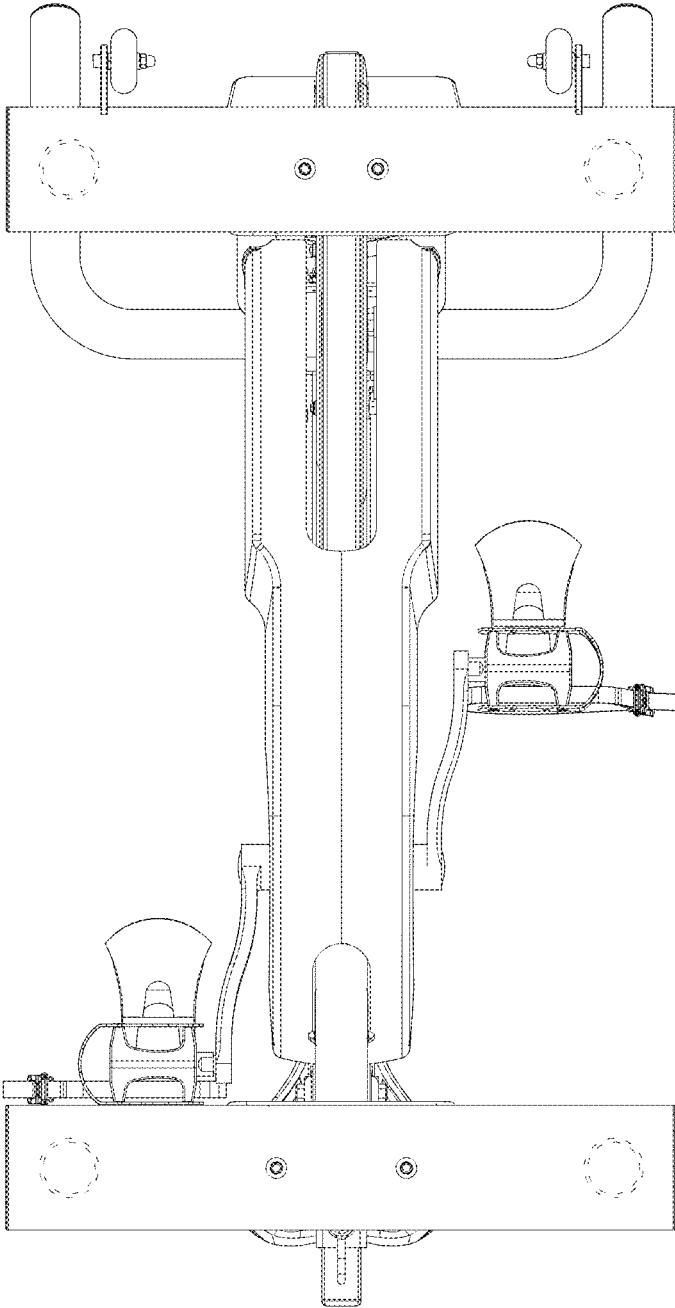


FIG. 7