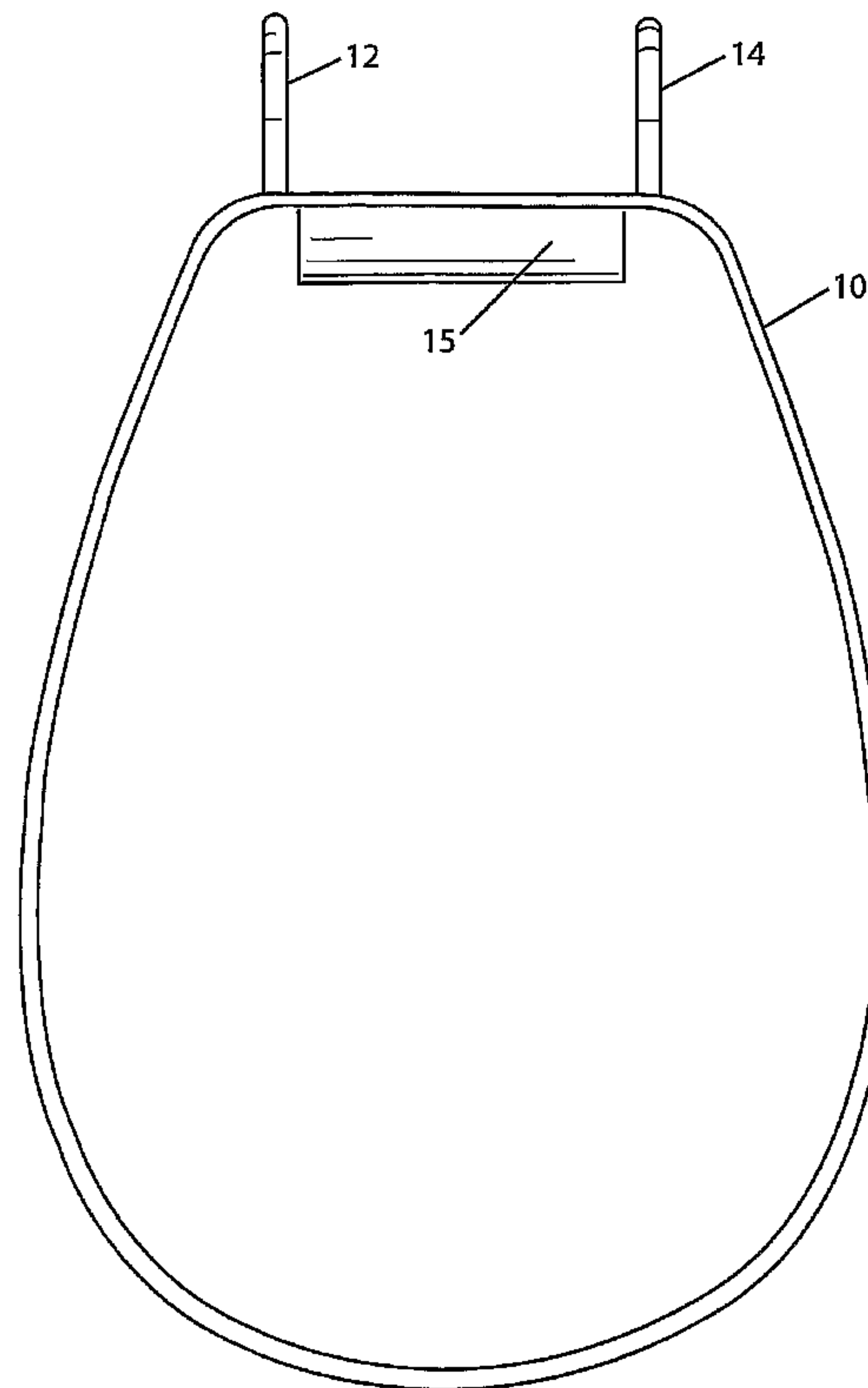




(86) Date de dépôt PCT/PCT Filing Date: 2005/10/20
(87) Date publication PCT/PCT Publication Date: 2006/05/04
(85) Entrée phase nationale/National Entry: 2007/04/19
(86) N° demande PCT/PCT Application No.: US 2005/038016
(87) N° publication PCT/PCT Publication No.: 2006/047327
(30) Priorités/Priorities: 2004/10/22 (US60/621,475);
2005/10/14 (US11/251,499)

(51) Cl.Int./Int.Cl. *A47K 3/08* (2006.01),
A47K 3/14 (2006.01), *A47K 3/34* (2006.01),
A47K 3/36 (2006.01)
(71) Demandeur/Applicant:
SHOWERBOW, INC., US
(72) Inventeur/Inventor:
RAYMOND, PATRICK, US
(74) Agent: ROBIC

(54) Titre : SUPPORT DE RIDEAU DE DOUCHE
(54) Title: SHOWER CURTAIN HOLDER



(57) Abrégé/Abstract:

A shower curtain holder having a body with a bowed shape and a hook at its upper end which is adapted to engage a shower curtain rod. The holder is placed on the rod inside of the shower curtain. Its size and shape is such that the shower curtain is held away from the person taking the shower. The holder includes a counterweight near or at its top to help in keeping the holder, and thus the curtain as well, away from the person within the shower.

(12) INTERNATIONAL APPLICATION PUBLISHED UNDER THE PATENT COOPERATION TREATY (PCT)

(19) World Intellectual Property Organization
International Bureau(43) International Publication Date
4 May 2006 (04.05.2006)

PCT

(10) International Publication Number
WO 2006/047327 A2

(51) International Patent Classification:

A47K 3/36 (2006.01) A47K 3/34 (2006.01)

(21) International Application Number:

PCT/US2005/038016

(22) International Filing Date: 20 October 2005 (20.10.2005)

(25) Filing Language:

English

(26) Publication Language:

English

(30) Priority Data:

60/621,475	22 October 2004 (22.10.2004)	US
11/251,499	14 October 2005 (14.10.2005)	US

(71) Applicant and

(72) Inventor: RAYMOND, Patrick [CA/US]; 315 East 95th Street, New York, NY 10128 (US).

(74) Agents: SWEEDLER, Michael, J. et al.; Darby & Darby P.C., P.O. Box 5257, New York, NY 10150-5257 (US).

(81) Designated States (*unless otherwise indicated, for every kind of national protection available*): AE, AG, AL, AM, AT, AU, AZ, BA, BB, BG, BR, BW, BY, BZ, CA, CH, CN,

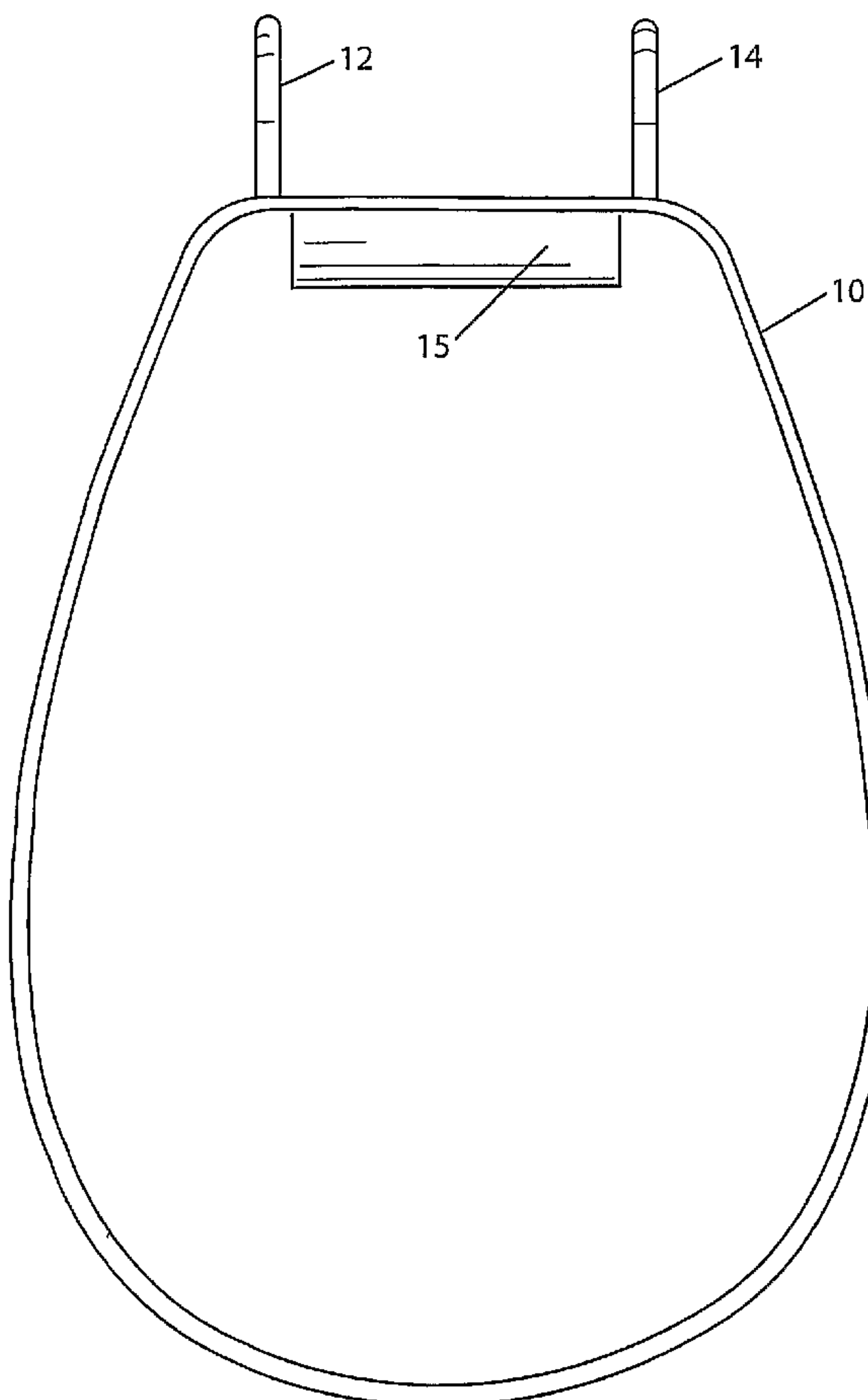
CO, CR, CU, CZ, DE, DK, DM, DZ, EC, EE, EG, ES, FI, GB, GD, GE, GH, GM, HR, HU, ID, IL, IN, IS, JP, KE, KG, KM, KP, KR, KZ, LC, LK, LR, LS, LT, LU, LV, LY, MA, MD, MG, MK, MN, MW, MX, MZ, NA, NG, NI, NO, NZ, OM, PG, PH, PL, PT, RO, RU, SC, SD, SE, SG, SK, SL, SM, SY, TJ, TM, TN, TR, TT, TZ, UA, UG, US, UZ, VC, VN, YU, ZA, ZM, ZW.

(84) Designated States (*unless otherwise indicated, for every kind of regional protection available*): ARIPO (BW, GH, GM, KE, LS, MW, MZ, NA, SD, SL, SZ, TZ, UG, ZM, ZW), Eurasian (AM, AZ, BY, KG, KZ, MD, RU, TJ, TM), European (AT, BE, BG, CH, CY, CZ, DE, DK, EE, ES, FI, FR, GB, GR, HU, IE, IS, IT, LT, LU, LV, MC, NL, PL, PT, RO, SE, SI, SK, TR), OAPI (BF, BJ, CF, CG, CI, CM, GA, GN, GQ, GW, ML, MR, NE, SN, TD, TG).

Published:

— *without international search report and to be republished upon receipt of that report**For two-letter codes and other abbreviations, refer to the "Guidance Notes on Codes and Abbreviations" appearing at the beginning of each regular issue of the PCT Gazette.*

(54) Title: SHOWER CURTAIN HOLDER



(57) Abstract: A shower curtain holder having a body with a bowed shape and a hook at its upper end which is adapted to engage a shower curtain rod. The holder is placed on the rod inside of the shower curtain. Its size and shape is such that the shower curtain is held away from the person taking the shower. The holder includes a counterweight near or at its top to help in keeping the holder, and thus the curtain as well, away from the person within the shower.

WO 2006/047327 A2

SHOWER CURTAIN HOLDER

BACKGROUND OF THE INVENTION

When showers are taken in bathtubs, shower curtains are often used to retain the water within the confines of the bathtub. Typically, a shower curtain hangs from a curtain
5 rod located above the shower head. Because of the flow of water and air while showering, the shower curtain tends to swell inwardly, sometimes clinging to the body of the person taking the shower which most people find unpleasant.

The present invention provides a holder for retaining a shower curtain away from the person's body during a shower. The invention can also provide a storage area for accessories
10 such as soap trays, bottle holders, and sponge hooks.

Summary of the Invention

A shower curtain holder comprises a body having a bowed shape and a hook at its upper end which is adapted to engage a shower curtain rod. The holder is placed on the rod inside of the shower curtain. Its size and shape is such that the shower curtain is held away
15 from the person taking the shower. The holder includes a counterweight near or at its top to help in keeping the holder, and thus the curtain as well, away from the person within the shower.

Brief Description of the Drawings

The preferred embodiment of the present invention is described with reference to the
20 attached drawings in which:

Fig. 1 is a front elevation view of a preferred embodiment of a shower holder according to the invention;

Fig. 2 is a side elevation view of the shower holder;

Fig. 3 is a perspective view of an alternative embodiment of the invention; and

25 Figs. 4, 5 and 6 are perspective views of three different types of counterweight accessories that may be incorporated into the holder of Figs. 1 and 2.

Detailed Description of the Invention

Referring to Figs. 1 and 2, a shower curtain holder in accordance with a preferred embodiment of the invention comprises a loop 10 which is convex when viewed from the side. The loop may be made of any suitable material such as metal or plastic. The holder also includes a pair of spaced apart hooks 12 and 14 which support the loop on the shower curtain. A counterweight 15 is secured to the holder between hooks 12 and 14.

A standard shower curtain arrangement is shown in phantom lines in Fig. 2. The rod on which the curtain is hung is shown at 16 and the curtain itself at 18. As is conventional, a multiplicity of hooks 20, retain shower curtain 18 on the rod 16.

Also as shown in Fig. 2, the hooks 12 and 14 of the curtain holder engage the shower rod 16. The effect of the holder is to prevent the shower curtain from swelling inwardly against the person's body when the shower is turned on. Counterweight 15 helps to retain the holder in its desired position with loop 10 serving to hold curtain 18 away from the person in the shower.

Fig. 3 shows an alternative embodiment of the invention employing the same principle. In this case, the holder 24 is a single integral piece in the shape of a curved paddle, preferably made of a plastic material. The holder 24 has a convex shape from the side, similar to Fig. 2, and includes a thickened upper section 26 which terminates in a hook 28. The thickened section 26 functions as a counterweight and holds the portion of the holder 24 which engages the shower curtain 18 away from the person taking a shower.

In place of the counterweight 15, functional accessories may be used to provide the counterweight, or additional counterweight. Three different accessories are shown in Figs. 4, 5 and 6, respectively. In Fig 4, the counterweight is in the form of a waterproof radio. In Fig. 5, the counterweight is in the form of a soap tray, and in Fig. 6 the counterweight provides two hooks on which towels, wash cloths or garments can be hung. The counterweight can also be an empty tray that has very little inherent weight but is designed to accommodate whatever counterweight mass the user chooses to employ, such as water.

The counterweight serves the important function of holding the bowed portion of the holder (and thus the shower curtain as well) away from the person taking a shower. The actual weight of the counterweight can vary over wide limits. For example, the

counterweight may be between $\frac{1}{2}$ and 10 lbs. As indicated in the specification and drawings, the counterweight can assume many different forms. When configured as a tray, the materials placed in the tray (i.e., shampoo, soap, etc.) also serve as part of the counterweight. The counterweight must be located near the top of the holder and on the surface of the holder
5 facing the user.

It is contemplated that the shower curtain holder will be approximately 18" wide and 36" long although obviously the dimensions are not a part of the invention. For packaging and storage purposes, the holder may be sold as separate parts in the form of a kit which can be assembled by the user after purchase. The rods that constitute the bowed portion of the
10 holder can also be retracted or removable. They may also vary in length to be customized to the preference of the user or the dimensions of the shower.

In another embodiment, the shower curtain holder can be internal or integral to the curtain 18. The loop 10 is stitched into the curtain 18 or embedded between two layers of the curtain 18. Hooks 12, 14, 28 can be used to secure the curtain 18 to the rod 16 and no
15 additional shower curtain fasteners are required. The counterweight 15, 26 can be exposed or also embedded in the fabric of the curtain 18. Multiple loops/holders 10, 24 can be used and spaced to retain the curtain on the rod 16.

While there have been shown, described, and pointed out fundamental novel features of the invention as applied to a preferred embodiment thereof, it will be understood that
20 various omissions, substitutions, and changes in the form and details of the devices illustrated, and in their operation, may be made by those skilled in the art without departing from the spirit and scope of the invention. For example, it is expressly intended that all combinations of those elements and/or steps which perform substantially the same function, in substantially the same way, to achieve the same results are within the scope of the
25 invention. Substitutions of elements from one described embodiment to another are also fully intended and contemplated. It is also to be understood that the drawings are not necessarily drawn to scale, but that they are merely conceptual in nature. It is the intention, therefore, to be limited only as indicated by the scope of the claims appended hereto.

WE CLAIM:

1. A shower curtain holder for holding a shower curtain away from a person taking a shower, comprising:
 - 5 a body having a bowed shape,
 - a hook at the top of the body for engaging a shower curtain rod, and
 - a counterweight for maintaining the body in a position where a shower curtain that engages the body is held away from a person in the shower when the hook engages a shower curtain rod.
- 10 2. A shower curtain holder according to claim 1, wherein the body is in the form of an elongated wire.
3. A shower curtain holder according to claim 1, wherein the holder is in the form of a paddle.
4. A shower curtain holder according to claim 1, wherein the counterweight is attached to the holder near the top of the holder.
- 15 5. A shower curtain holder according to claim 4, wherein the counterweight is in the form of a receptacle adapted to retain bathing implements.
6. A shower curtain holder according to claim 1, further comprising a shower curtain integral with the body.
- 20 7. A shower curtain holder according to claim 6, wherein the hook solely supports the shower curtain on the shower curtain rod.

1/3

FIG. 1

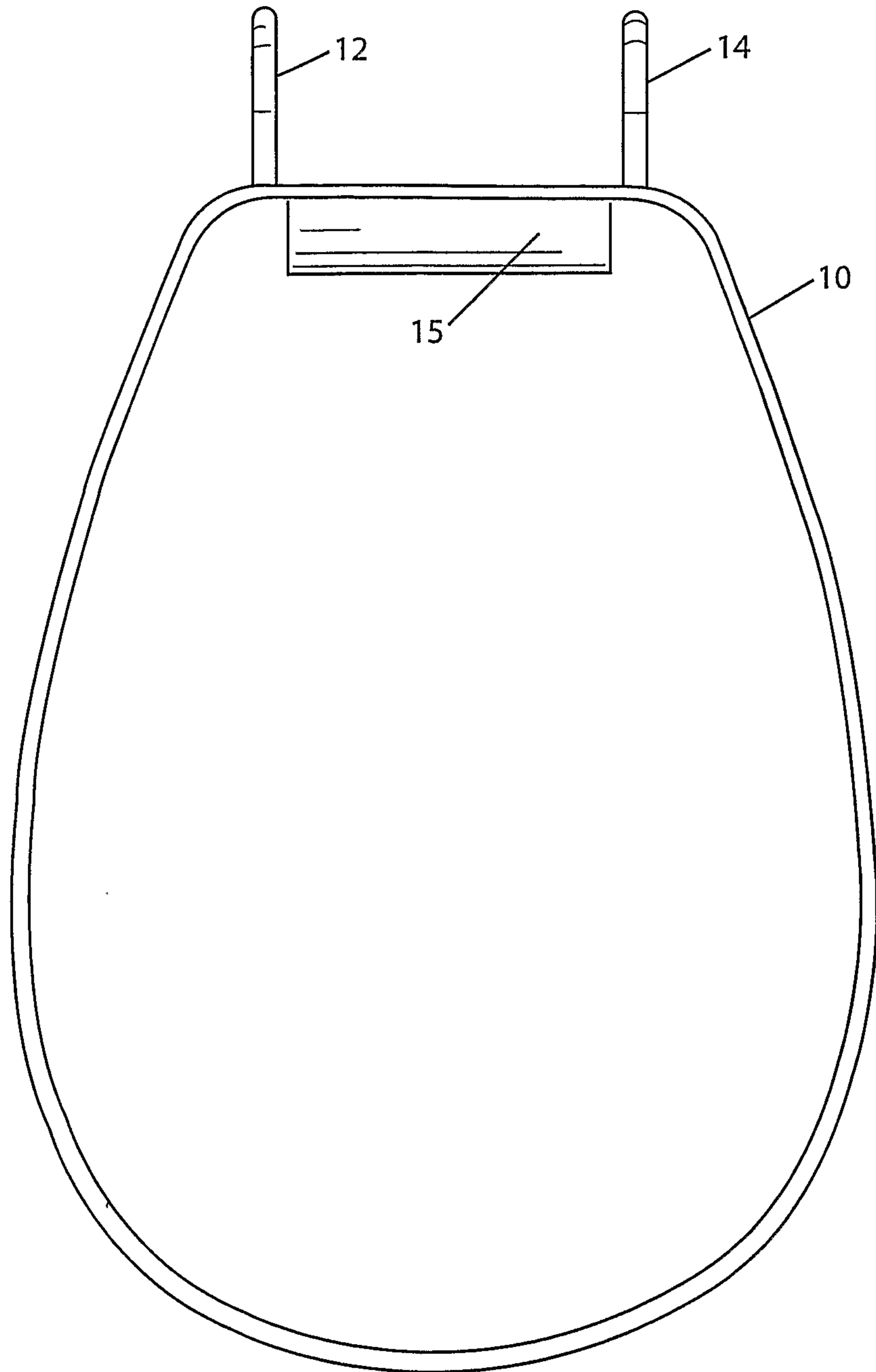


FIG. 2

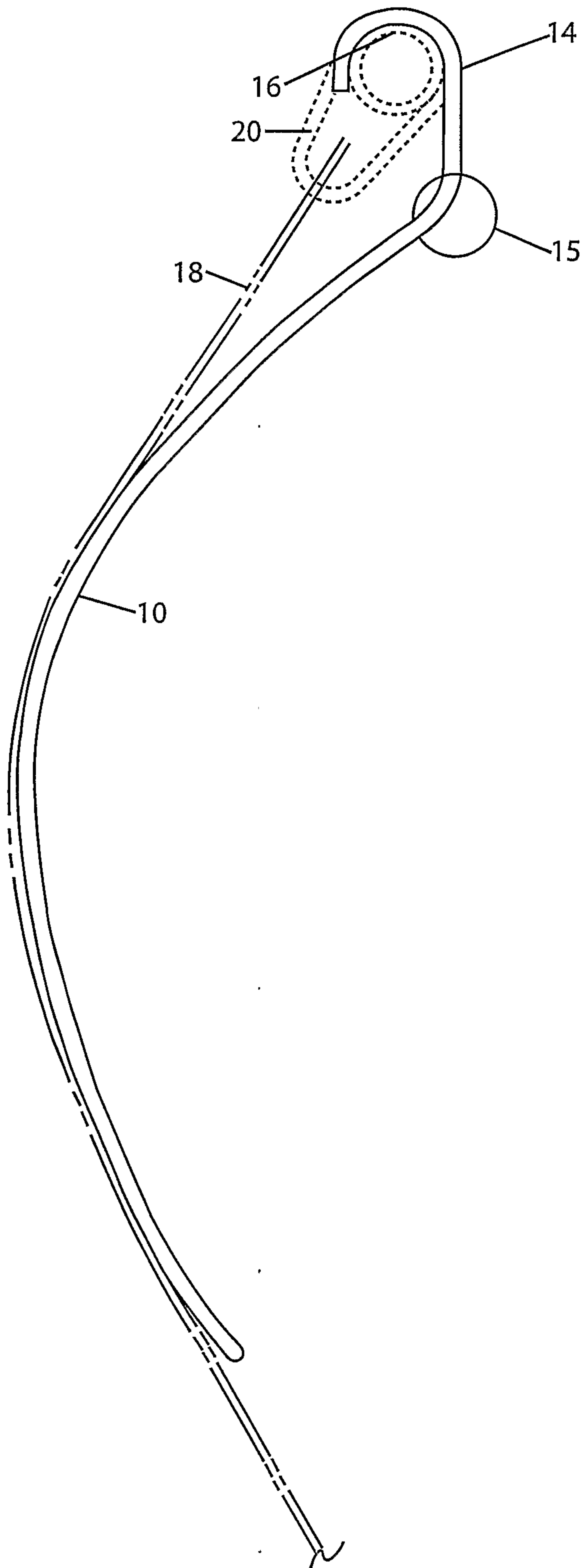


FIG. 3

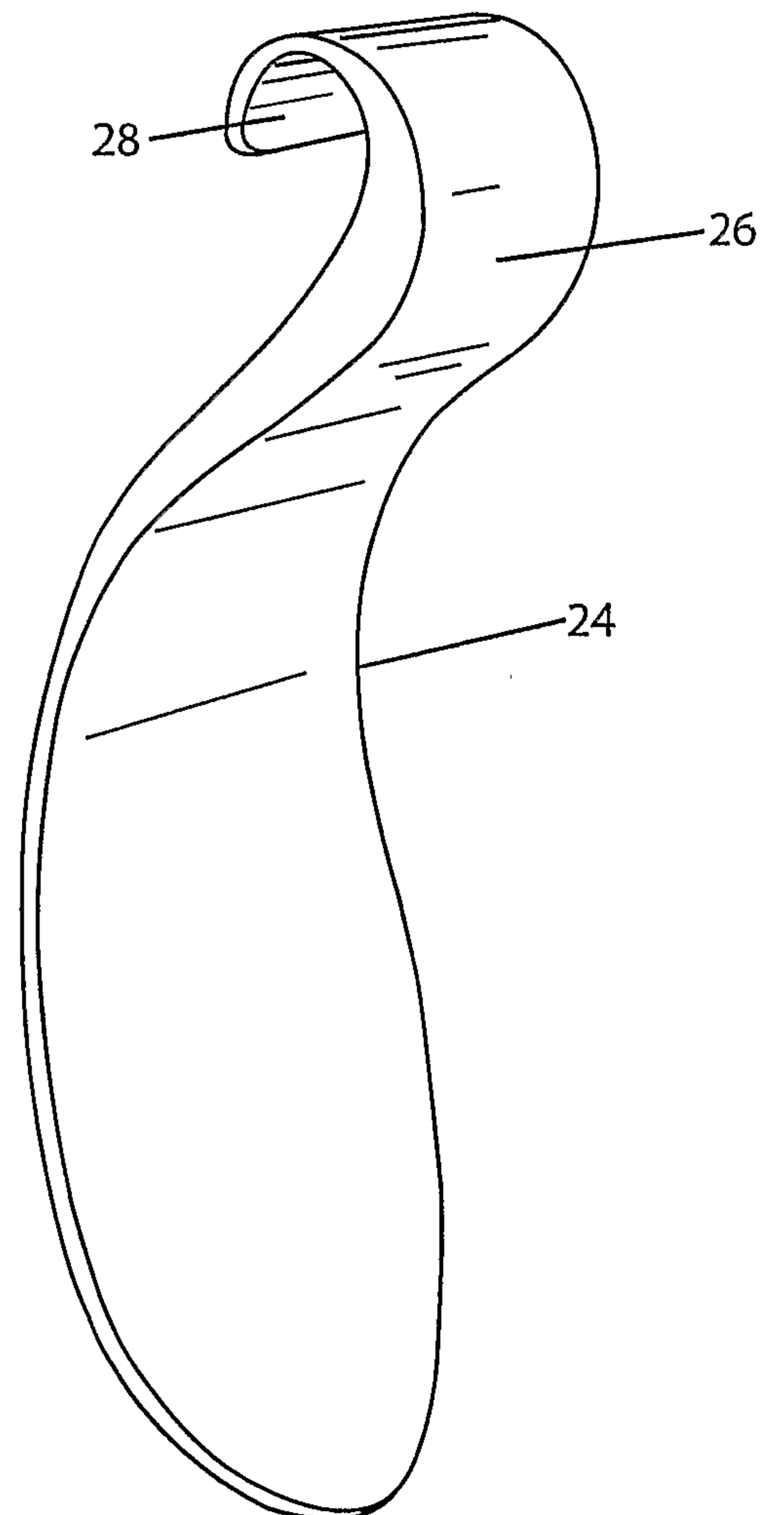


FIG. 4

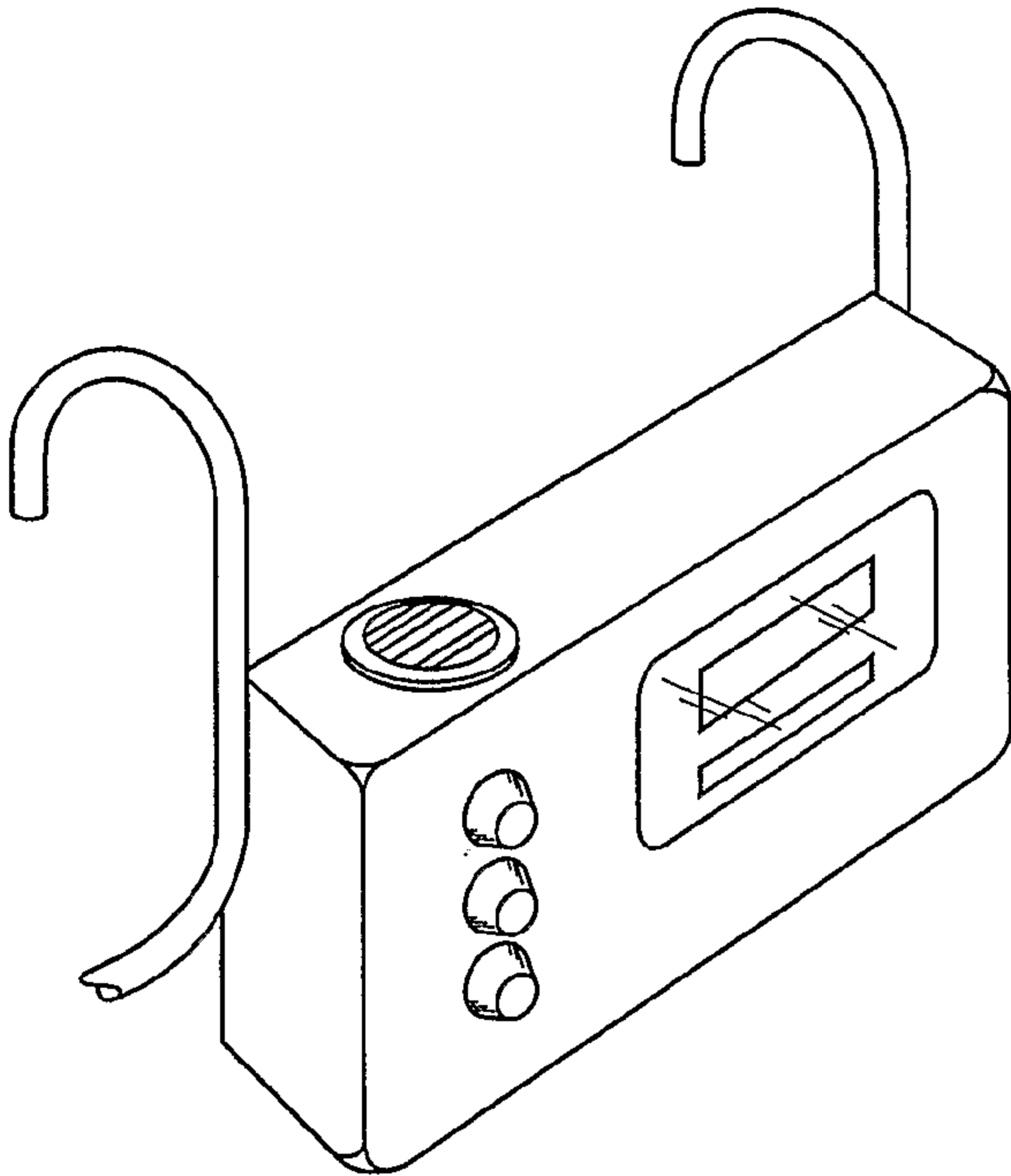


FIG. 5

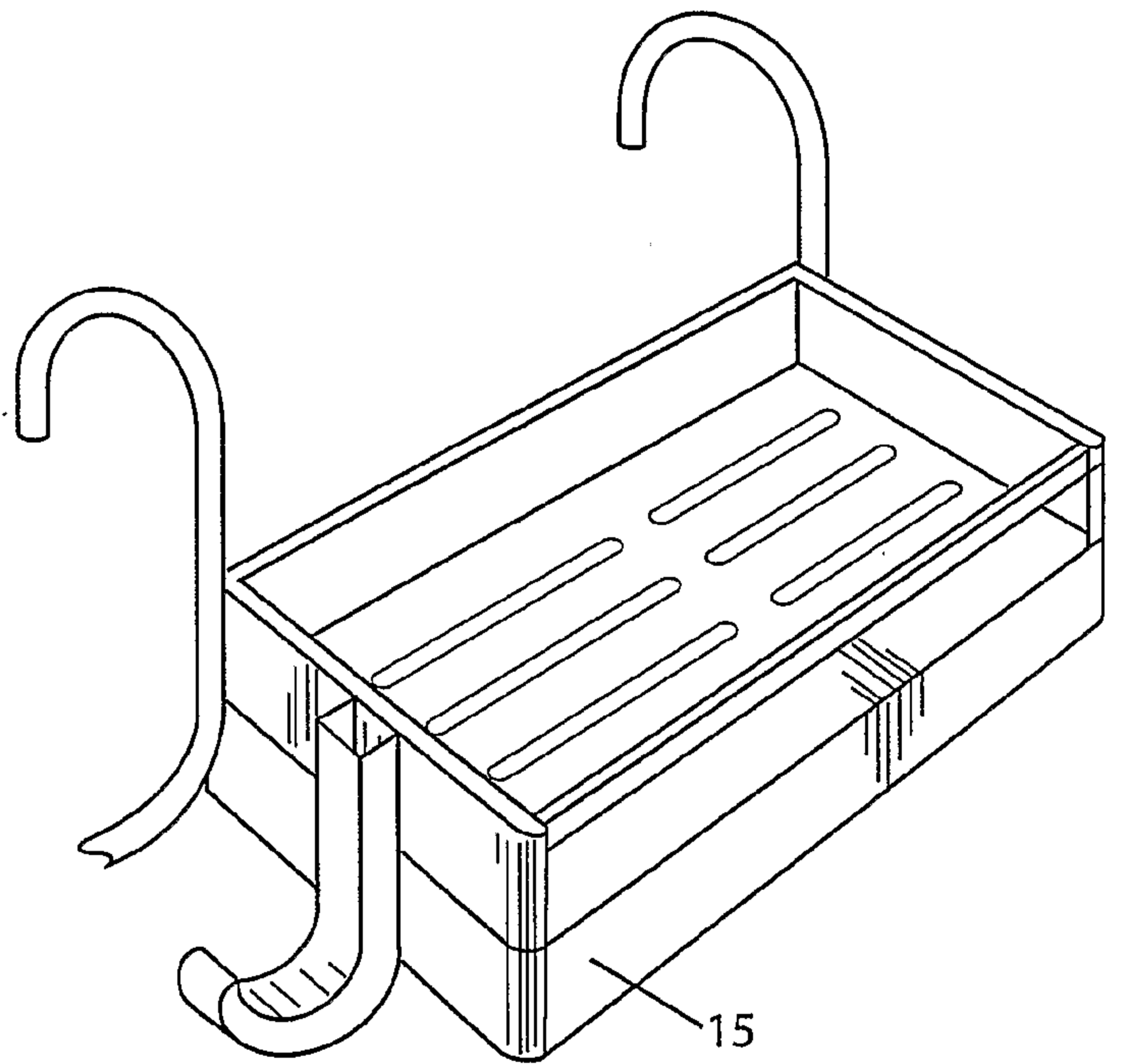
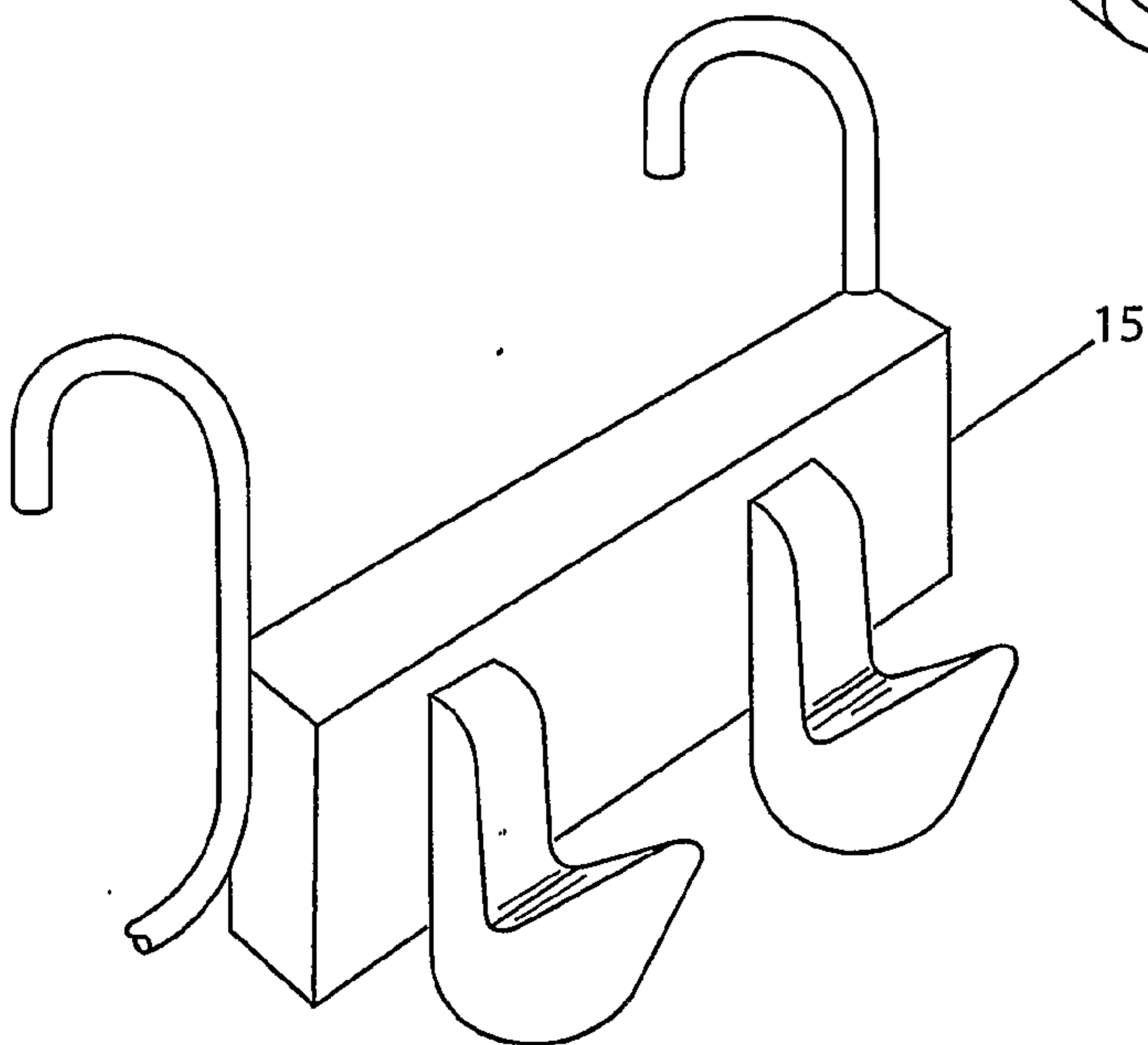
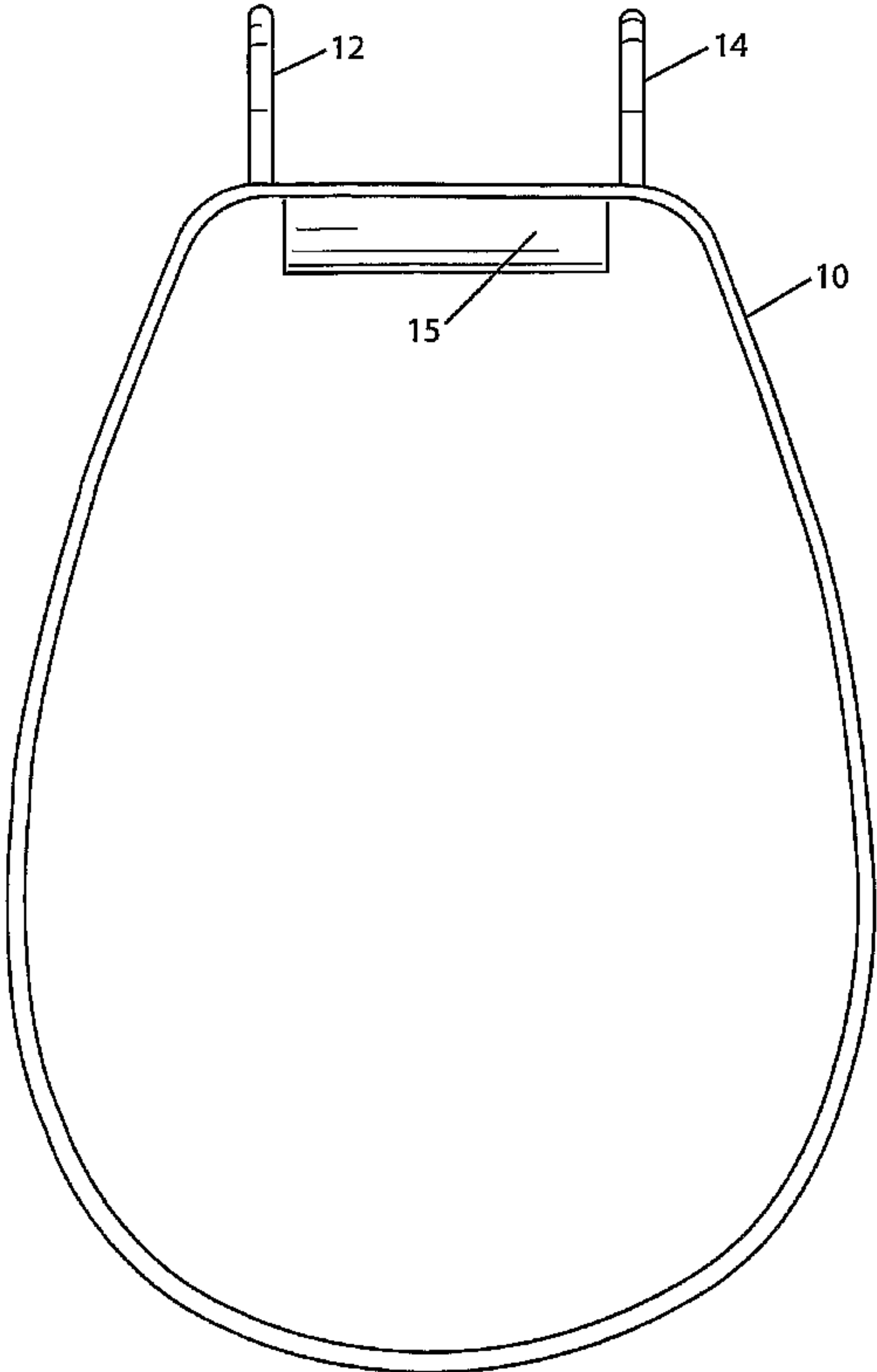


FIG. 6





12

14

10

15