

US00D549152S

(12) **United States Design Patent**  
**Goeller**

(10) **Patent No.:** **US D549,152 S**

(45) **Date of Patent:** **\*\* Aug. 21, 2007**

(54) **WIPER BLADE AND SUPPORTING ARM  
FOR A WIPER BLADE**

D430,097 S \* 8/2000 Breesch et al. .... D12/219

D432,072 S \* 10/2000 Breesch et al. .... D12/219

D462,044 S \* 8/2002 Gfatter et al. .... D12/219

D512,362 S \* 12/2005 Breesch et al. .... D12/219

(75) Inventor: **Alexander Goeller**, Baiersbronn (DE)

(73) Assignee: **Robert Bosch GmbH**, Stuttgart (DE)

(\*\*) Term: **14 Years**

\* cited by examiner

(21) Appl. No.: **29/277,693**

*Primary Examiner*—Stacia Cadmus

(22) Filed: **Mar. 7, 2007**

(74) *Attorney, Agent, or Firm*—Michael J. Striker

**Related U.S. Application Data**

(57) **CLAIM**

(62) Division of application No. 29/222,783, filed on Feb. 3, 2005.

The ornamental design for a wiper blade and supporting arm for a wiper blade, as shown and described.

**Foreign Application Priority Data**

**DESCRIPTION**

Aug. 20, 2004 (DE) ..... 404 04750

(51) **LOC (8) Cl.** ..... **12-06**

(52) **U.S. Cl.** ..... **D12/219**

(58) **Field of Classification Search** ..... D12/219–220;  
15/250.31–250.33, 250.351, 250.38, 250.4,  
15/250.41–44, 250.201, 250.451–250.458,  
15/250.48, 250.04, 250.07, 250.44

See application file for complete search history.

FIG. 1 is a front perspective view of a wiper blade and supporting arm for a wiper blade showing my new design;

FIG. 2 is a top view thereof;

FIG. 3 is a side view thereof;

FIG. 4 is an end view thereof;

FIG. 5 is the opposite end view thereof of FIG. 4;

FIG. 6 is the opposite side view of FIG. 3 thereof; and,

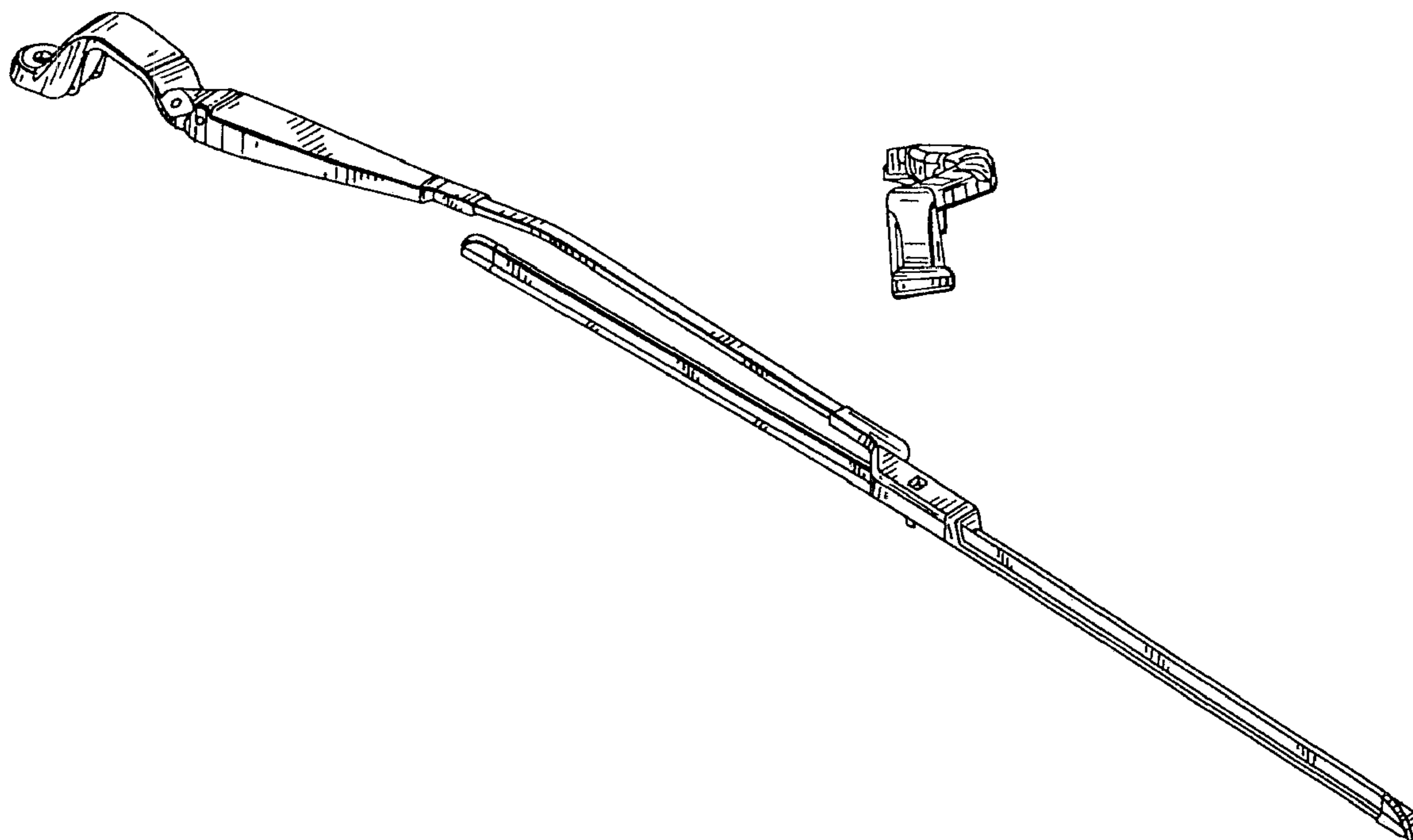
FIG. 7 is a bottom view thereof.

(56) **References Cited**

**U.S. PATENT DOCUMENTS**

D331,556 S \* 12/1992 Ismert ..... D12/219

**1 Claim, 3 Drawing Sheets**



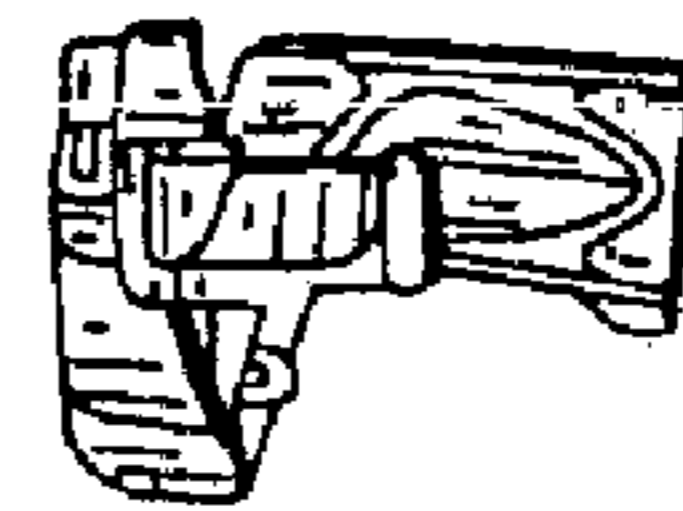
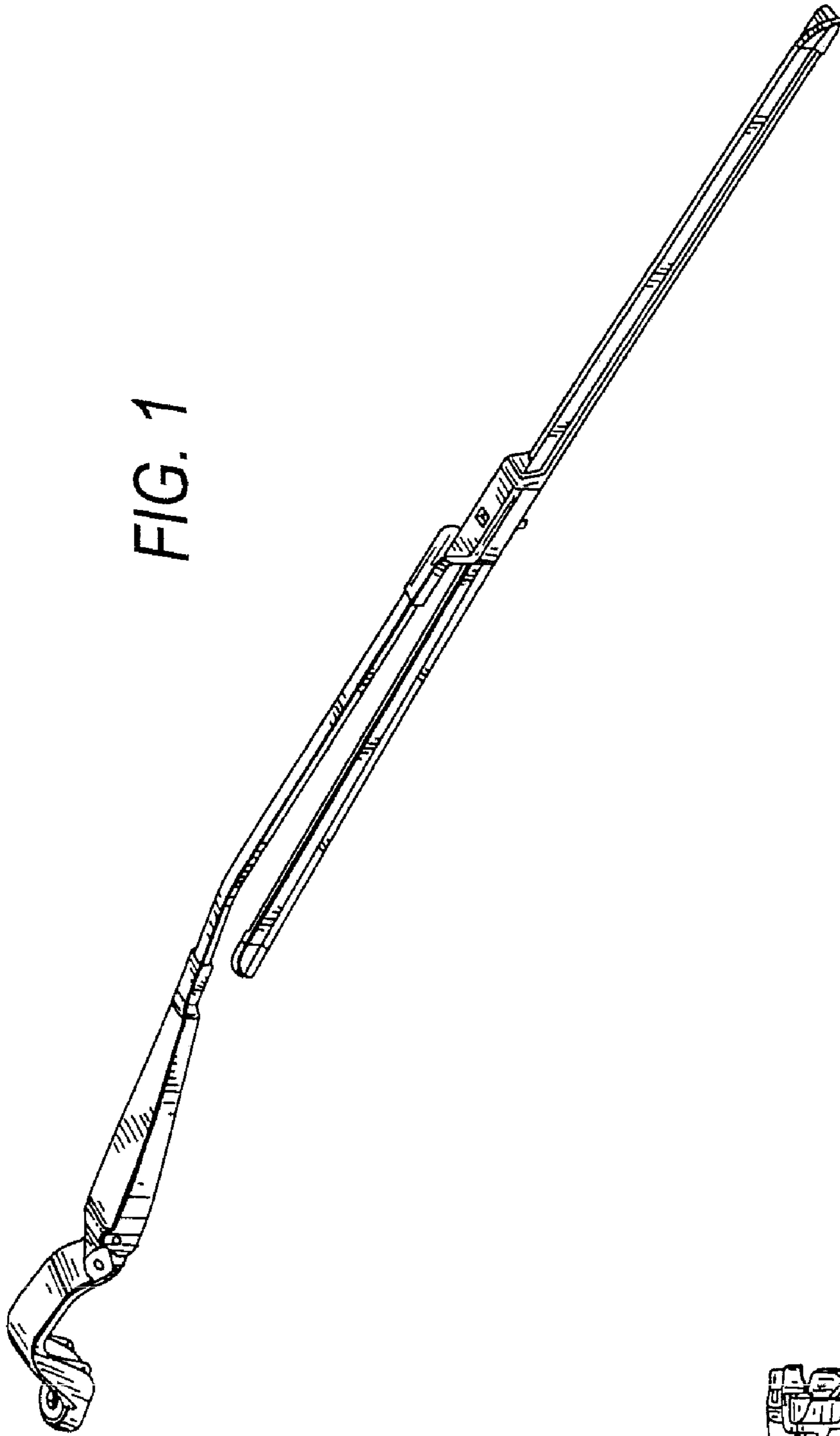


FIG. 4

FIG. 2

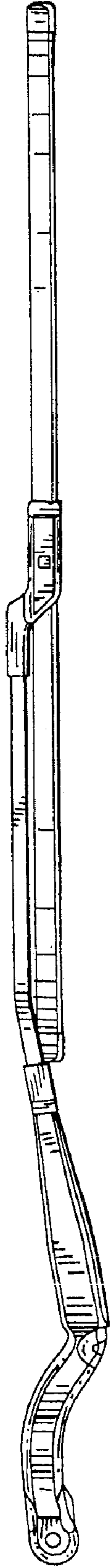


FIG. 3

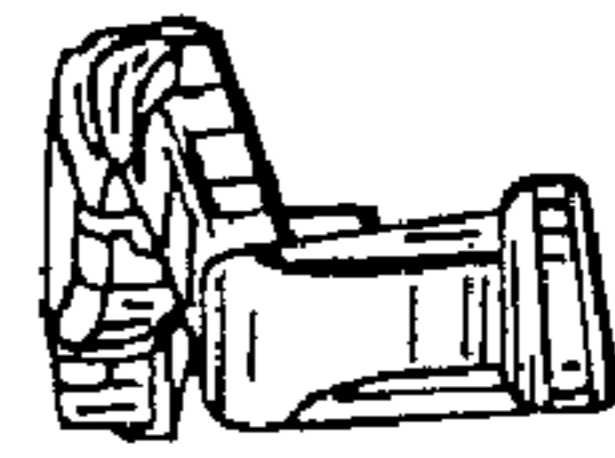
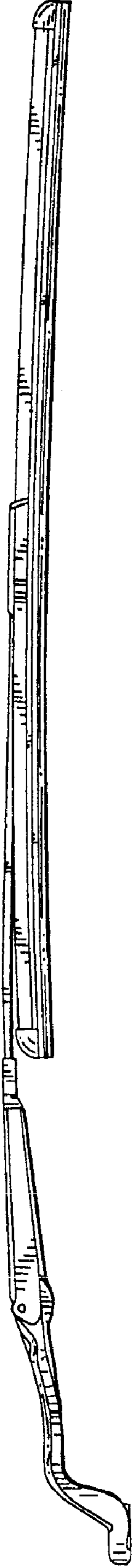


FIG. 7

FIG. 5

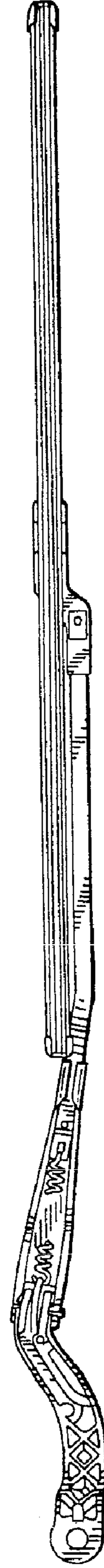
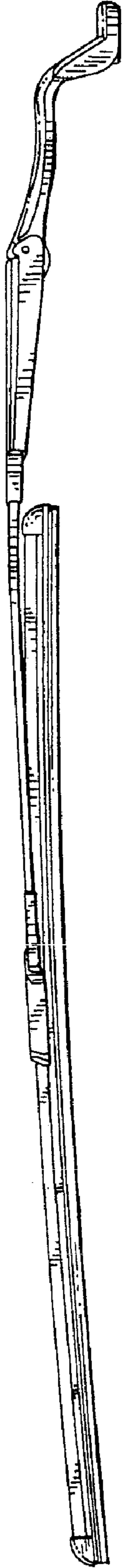


FIG. 6