



(12) **DEMANDE DE BREVET CANADIEN
CANADIAN PATENT APPLICATION**

(13) **A1**

(86) Date de dépôt PCT/PCT Filing Date: 2017/04/04
 (87) Date publication PCT/PCT Publication Date: 2017/10/19
 (85) Entrée phase nationale/National Entry: 2018/09/26
 (86) N° demande PCT/PCT Application No.: US 2017/025817
 (87) N° publication PCT/PCT Publication No.: 2017/180356
 (30) Priorité/Priority: 2016/04/14 (US15/098,741)

(51) Cl.Int./Int.Cl. *B62D 55/28* (2006.01),
B62D 55/18 (2006.01), *B62D 55/26* (2006.01)
 (71) Demandeurs/Applicants:
MUSSELMAN, ROBERT, US;
MUSSELMAN, MARK, US
 (72) Inventeurs/Inventors:
MUSSELMAN, ROBERT, US;
MUSSELMAN, MARK, US
 (74) Agent: GOWLING WLG (CANADA) LLP

(54) Titre : GOUJON DE TRACTION POUR CHENILLES
 (54) Title: TRACTION STUD FOR ENDLESS TRACKS

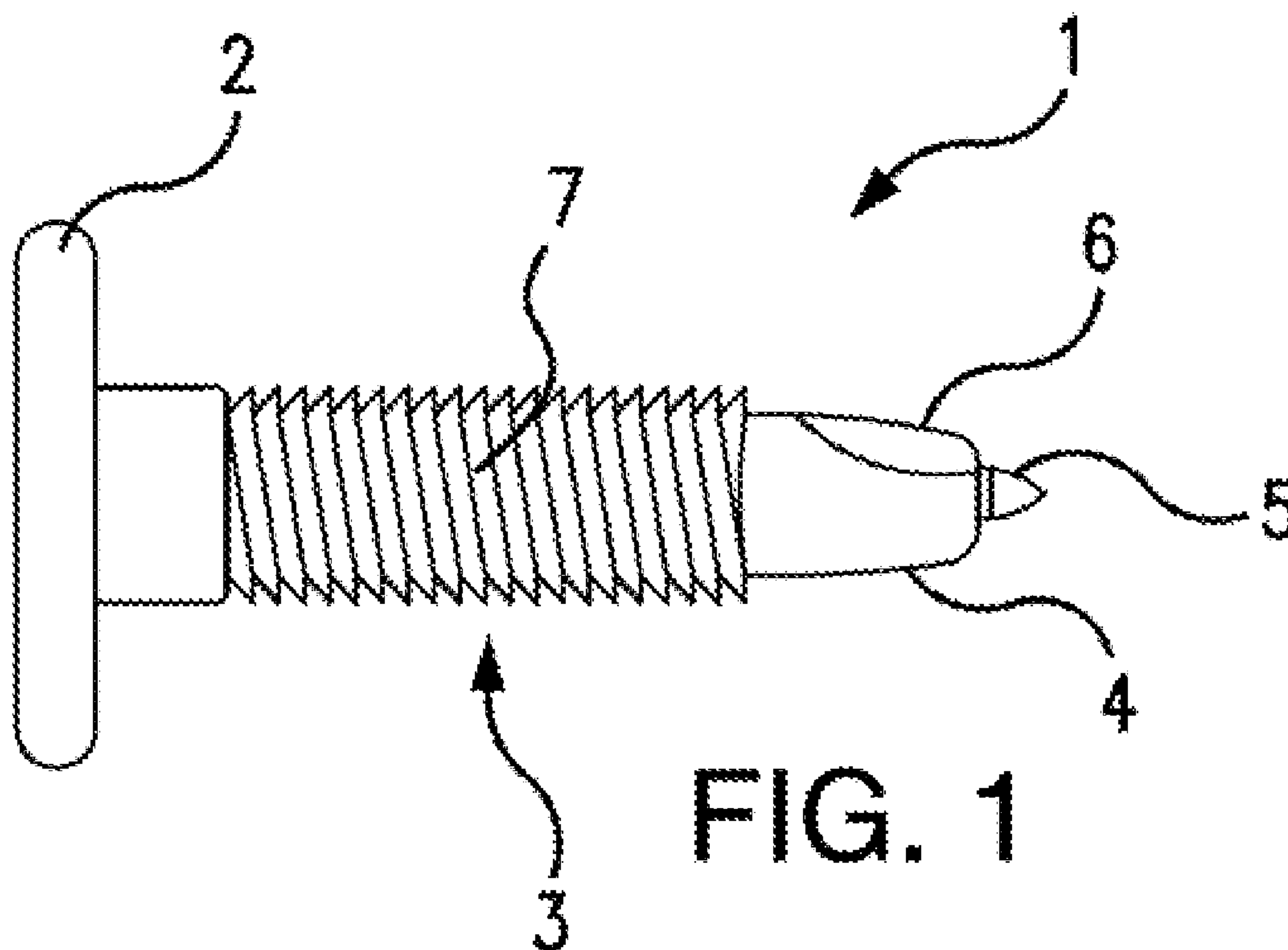


FIG. 1

(57) **Abrégé/Abstract:**

A traction stud for endless tracks. The traction stud comprises base and the base has a center point on a top surface and a center point on a bottom surface. There is an elongated shank rigidly surmounted on the top surface at the center point. The shank has a distal end. The distal end has at least one cutting flute located in it. The shank has a threaded surface. The base has, at the center point of the bottom, a means for torquing the traction stud.

(12) INTERNATIONAL APPLICATION PUBLISHED UNDER THE PATENT COOPERATION TREATY (PCT)

(19) World Intellectual Property
Organization
International Bureau(43) International Publication Date
19 October 2017 (19.10.2017)(10) International Publication Number
WO 2017/180356 A1

(51) International Patent Classification:

B62D 55/28 (2006.01) *B62D 55/26* (2006.01)
B62D 55/18 (2006.01)

(21) International Application Number:

PCT/US2017/025817

(22) International Filing Date:

4 April 2017 (04.04.2017)

(25) Filing Language:

English

(26) Publication Language:

English

(30) Priority Data:

15/098,741 14 April 2016 (14.04.2016) US

(72) Inventors; and

(71) Applicants : **MUSSELMAN, Robert** [US/US]; 2257 N. Rolling Ridge Dr., Midland, MI 48642 (US). **MUSSELMAN, Mark** [US/US]; 57 Saiko Road, Hope, MI 48628 (US).(74) Agent: **MCKELLAR, Robert, L.**; Mckellar IP Law, PLLC, 784 S. Poseyville Road, Midland, MI 48640 (US).

(81) Designated States (unless otherwise indicated, for every kind of national protection available): AE, AG, AL, AM, AO, AT, AU, AZ, BA, BB, BG, BH, BN, BR, BW, BY, BZ, CA, CH, CL, CN, CO, CR, CU, CZ, DE, DJ, DK, DM,

DO, DZ, EC, EE, EG, ES, FI, GB, GD, GE, GH, GM, GT, HN, HR, HU, ID, IL, IN, IR, IS, JP, KE, KG, KH, KN, KP, KR, KW, KZ, LA, LC, LK, LR, LS, LU, LY, MA, MD, ME, MG, MK, MN, MW, MX, MY, MZ, NA, NG, NI, NO, NZ, OM, PA, PE, PG, PH, PL, PT, QA, RO, RS, RU, RW, SA, SC, SD, SE, SG, SK, SL, SM, ST, SV, SY, TH, TJ, TM, TN, TR, TT, TZ, UA, UG, US, UZ, VC, VN, ZA, ZM, ZW.

(84) Designated States (unless otherwise indicated, for every kind of regional protection available): ARIPO (BW, GH, GM, KE, LR, LS, MW, MZ, NA, RW, SD, SL, ST, SZ, TZ, UG, ZM, ZW), Eurasian (AM, AZ, BY, KG, KZ, RU, TJ, TM), European (AL, AT, BE, BG, CH, CY, CZ, DE, DK, EE, ES, FI, FR, GB, GR, HR, HU, IE, IS, IT, LT, LU, LV, MC, MK, MT, NL, NO, PL, PT, RO, RS, SE, SI, SK, SM, TR), OAPI (BF, BJ, CF, CG, CI, CM, GA, GN, GQ, GW, KM, ML, MR, NE, SN, TD, TG).

Declarations under Rule 4.17:

- as to the applicant's entitlement to claim the priority of the earlier application (Rule 4.17(iii))
- of inventorship (Rule 4.17(iv))

Published:

- with international search report (Art. 21(3))

(54) Title: TRACTION STUD FOR ENDLESS TRACKS

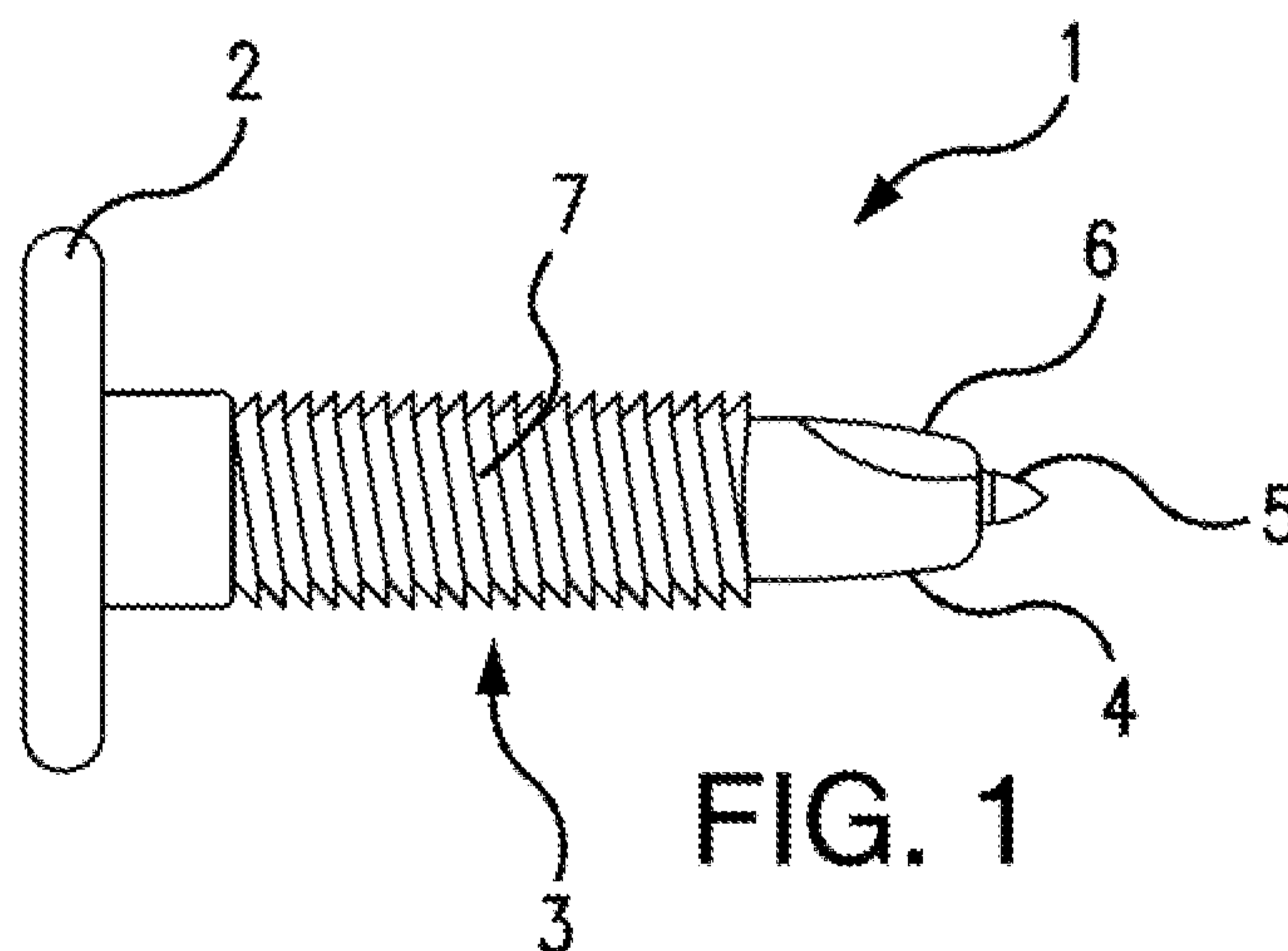


FIG. 1

(57) Abstract: A traction stud for endless tracks. The traction stud comprises base and the base has a center point on a top surface and a center point on a bottom surface. There is an elongated shank rigidly surmounted on the top surface at the center point. The shank has a distal end. The distal end has at least one cutting flute located in it. The shank has a threaded surface. The base has, at the center point of the bottom, a means for torquing the traction stud.

WO 2017/180356 A1

TO WHOM IT MAY CONCERN:

Be it know that We, Robert Musselman and Mark Musselman, both residents of the City of Hope, County of Midland, State of Michigan, both citizens of the United States of America have invented a new and
5 useful device that is a

TRACTION STUD FOR ENDLESS TRACKS

for which the following is a specification therefor.

BACKGROUND OF THE INVENTION

For purposes of this invention, "endless tracks" means those
10 tracks that are used on such vehicles as snowmobiles, and the like. Such tracks are constructed with traction studs that give traction and some modicum of control while operating the vehicle.

Traditionally, the studs are placed in the track by drilling
15 holes in the track and then inserting a threaded traction stud into the hole, and then surmounting the threaded stud with a washer or some similar holding device and then by a nut that twists onto the threads.

This is done by drilling holes using a drill and drill bit from
20 the outside of the track when the track is in place on the vehicle and pushing the studs into the drilled holes from the inside of the track and this causes multiple problems owing to the presence of the many components of the suspension system and the like that are in the open inside area of the inside of the track.

In addition, this manner of putting traction studs into endless
25 tracks is compounded by the fact that a normal drill and bit will cut the many layers of cords within the track. Sometimes the track is made up of as many as 1 to 3 layers of fiber, and these layers are located such that the fibers from one layer do not align parallel with the fibers of adjacent layers of fiber. Cutting such fibers weakens the endless track and causes early demise of the track.

30 It has been found that the traction studs of the instant invention allow placement of the traction studs with a large reduction in the concomitant cutting of the fibers of the track. Further, the method by which the traction studs of this invention are placed in the track allows one to put the traction studs into place from the
35 interior of the track.

THE INVENTION

What is disclosed and claimed herein is a traction stud for endless tracks. The traction stud comprises a base and the base has a center point on a top surface and a center point on a bottom surface. There is an elongated shank rigidly surmounted on the top surface at the center point. The shank has a distal end. The distal end has at least one cutting flute located in it. The shank has a threaded surface. The base has at the center point of the bottom, a means for torquing the traction stud.

10 In addition, the traction stud is combined with a threaded nut that conforms to the threaded surface of the elongated shank and there is a washer underlying the nut.

In another embodiment, there is a method of affixing traction studs to an endless track. The method comprises providing a snowmobile track and providing an electric or pneumatic drill affixed with a predetermined driving means.

Thereafter, mounting a traction stud as set forth above on the electric or pneumatic drill, placing a tip of a traction stud against the snowmobile track, and torquing the traction stud through the snowmobile track. Thereafter, surmounting the traction stud with a nut configured to conform to the threads on the traction stud, and tightening the nut onto the traction stud.

There is yet another embodiment of this invention which is a threaded cap for use on traction studs for endless tracks. The threaded cap comprises a housing, wherein the housing has a first end and a second end. The first end has a hollow opening, and contained within the hollow opening on an interior wall of the housing, there is located bolt threads, the second end being tapered to a distal point. The bolt threads are configured to conform to the threaded surface of the traction stud.

It should be noted that this invention contemplates the use of flutes in the piercing carbide tips of the stud and the use of flutes in the distal end of the stud as well, or in combination.

BRIEF DESCRIPTION OF THE DRAWINGS

Figure 1 is a full side view of a traction stud with a side profile of a flute showing in the terminal end.

Figure 2 is a full side view of a traction stud of this invention showing a full frontal view of a flute in the terminal end.

Figure 3A is a view in perspective of a traction stud of this invention showing a single flute.

Figure 3B is a partial view of a traction stud distal end showing a double flute.

Figure 3C is a partial view of a traction stud distal end showing a flute in the piercing tip.

Figure 3D is a partial view of a traction stud distal end showing two flutes in the piercing tip.

Figure 4A is a full bottom view of a traction stud showing a standard torque fitting 19.

Figure 4B is a full bottom view of a traction stud showing a square torque fitting 20.

Figure 4C is a full bottom view of a traction stud showing a rectangle torque fitting 21.

Figure 4D is a full bottom view of a traction stud showing a flat blade torque fitting 22.

Figure 4E is a full bottom view of a traction stud showing a Phillips torque fitting 23.

Figure 4F is a full bottom view of a traction stud showing a star torque fitting 24.

Figure 4G is a full bottom view of a traction stud showing a cross torque fitting 25.

Figure 4H is a full bottom view of a traction stud showing a hex torque fitting 26.

Figure 4I is a full bottom view of a traction stud showing a triangular torque fitting 27.

Figure 5 shows a full side view of a cap of this invention.

Figure 6 shows a crosssection view of the cap of Figure 5 through lines 6-6.

Figure 7A shows a full side view of a cap of this invention wherein there is shown a flute cut into the distal end.

Figure 7B is a full side view of a cap of this invention wherein there is shown two flutes cut into the distal end.

5 Figure 8 is a full bottom view of the stud.

Figure 9 is a view in perspective of a stud of this invention with the cap of this invention in place.

DETAILED DESCRIPTION OF THE INVENTION

Turning now to Figure 1, there is shown a traction stud 1 of this invention, showing the base 2, the elongated shank 3, the distal end 10 4, the carbide piercing tip 5, a flute 6, and threads 7 on shank 3.

Figure 2 shows a traction stud 1 of this invention with a full view of the flute 6. Figure 3A is a view in perspective of a traction stud 1 of this invention showing a flute 6 at the distal end 4 and 15 Figure 3B shows a distal end 4 with two flutes cut into the distal end. Figure 3C shows a flute 6 cut into the piercing tip 5 of the traction stud 1. Figure 3D shows flutes 6 cut into the piercing tip 5 of the traction stud.

For purposes of this invention cutting flutes 6 can be straight 20 flutes, spade flutes, brad point flutes, twist flutes, Lip and spur bit, helical twist flutes and the like. Details of such flutes 6 can be found at Wikipedia, under Drill bits.

The traction studs 1 of this invention are intended to be "self-tapping" traction studs. Traditionally, in the prior art, the studs 25 are placed in the track by drilling holes in the track and then inserting a threaded traction stud into the hole, and then surmounting with a washer or some similar holding device and then by a nut that twists onto the threads.

This is done by drilling holes using a drill and drill bit from 30 the outside of the track when the track is in place on the vehicle and the stud is inserted from the inside of the track and this causes multiple problems owing to the presence of the many components of the suspension system and the like that are in the open inside area of the inside of the track.

In addition, this manner of putting traction studs 1 into endless tracks is compounded by the fact that a normal drill and bit will cut the many layers of cords within the track. Sometimes the track is made up of as many as three to five layers of fiber, and these layers are located such that the fibers from one layer do not align parallel with the fibers of adjacent layers of fiber. Cutting such fibers weakens the endless track and causes early demise of the track.

It has been found that the traction studs of the instant invention allow placement of the traction studs without undue concomitant cutting of the fibers of the track. During the method of the invention, it was found that most of the fibers merely slide aside and are not cut by the traction studs of this invention. Further, the method by which the traction studs of this invention are placed in the track allows one to put the traction studs into place from the interior of the track.

The method of affixing traction studs to an endless track comprise providing a snowmobile track; providing an electric or pneumatic drill affixed with a predetermined driving means; mounting a traction stud on the electric or pneumatic drill; placing a distal end of a traction stud against the inside of the snowmobile track; torqueing the traction stud through the snowmobile track, and thereafter, the traction stud is surmounted by a washer or the like, and then a nut. The nut is turned down on the threads 7 by utilizing a wrench on the base 2 of the traction stud 1.

Shown in Figures 4A to 4H, which are bottom views of the traction stud 1, there is shown examples of the various means by which torque can be applied. Shown is a square opening 20 Fig 4B, slot opening 21 Figure 4C, flat blade opening 22 Figure 4D, Phillips opening 23 Figure 4E, Star opening 24 Figure 4F, cross opening 25 Figure 4G, hex opening 26 Figure 4H, and triangular opening 27 Figure 4I.

In another embodiment of this invention, there is shown in Figure 5 a full side view of a cap 9 of this invention, showing the housing 10 and the tapered end 11. The housing 10 is open on the bottom 12 and the interior surface 13 of the opening 12 is covered with bolt threads 15 as is shown in Figure 8, which is a full bottom view of the cap 9,

and in Figure 6, which is a cross sectional view of the cap taken through line 6-6 of Figure 5. The designation 16 is the open space above the threads 15 to allow the insertion of the traction stud 1 into the opening 14.

5 Figure 7A is a full side view of a cap 9 showing a flute 17 on the carbide tip 18 of the tapered end 11. Figure 7B is a bull side view of a cap of this invention showing two flutes cut into the distal end. Figure 8 is a full bottom view of the stud. Figure 9 is a view in perspective of the combination of the cap 9 and the traction stud 1
10 wherein the cap 9 is screwed onto the bolt threads 15.

The components of this invention are manufactured from metals, and preferred are ferrous metals.

15

20

25

30

35

40

45

What is claimed is:

1. A traction stud for endless tracks, said traction stud
5 comprising:

i. a base, said base having a center point on a top
surface and a center point on a bottom surface;

10 ii. an elongated shank rigidly surmounted on said top
surface at said center point, said shank having a
distal end, said distal end having at least one
cutting flute located therein, said shank having a
threaded surface;

15 iii. said base having at said center point of said
bottom, a means for torqueing said traction stud.

15

20

25

30

35

2. In combination, the traction stud as claimed in claim 1 and a threaded nut that conforms to said threaded surface of said elongated shank.
3. In combination, the traction stud and threaded nut as claimed
5 in claim 2 wherein, in addition, there is a washer underlying said nut.
4. A traction stud as claimed in claim 1 wherein, in addition, there is a piercing carbide tip inserted in said distal end of said shank.
- 10 5. A traction stud as claimed in claim 4 wherein said piercing carbide tip has at least one cutting flute located therein.
6. A traction stud as claimed in claim 1 wherein there are two cutting flutes in said elongated shank distal end.
7. A traction stud as claimed in claim 1 wherein there are three
15 cutting flutes in said elongated shank distal end.
8. A traction stud as claimed in claim 1 that is manufactured out of ferrous metal.
9. A traction stud as claimed in claim 8 wherein the metal is hardened steel.
- 20 10. A traction stud as claimed in claim 1 wherein the torquing means has a hex key configuration.
11. A traction stud as claimed in claim 1 wherein the torquing means has a hexagonal configuration.
12. A traction stud as claimed in claim 1 wherein the torquing
25 means has a star configuration.
13. A traction stud as claimed in claim 1 wherein the torquing means has a Phillips configuration.
14. A traction stud as claimed in claim 1 wherein the torquing means has a slot configuration.
- 30 15. A traction stud as claimed in claim 1 wherein the torquing means has a rectangular configuration.
16. A traction stud as claimed in claim 1 wherein the torquing means has a triangular configuration.

17. A method of affixing traction studs to an endless track,
the method comprising:

- i. providing a snowmobile track;
- ii. providing an electric or pneumatic drill affixed
with a predetermined driving means;
- iii. mounting a traction stud as claimed in claim 1 on
the electric or pneumatic drill;
- iv. placing a tip of a traction stud against said
snowmobile track;
- v. torquing said traction stud through said
snowmobile track.

18. The method as claimed in claim 16 wherein after step v.,
there is an additional step vi., of surmounting the traction
stud with a nut configured to conform to said threads on said
traction stud, and tightening said nut onto said traction
stud.

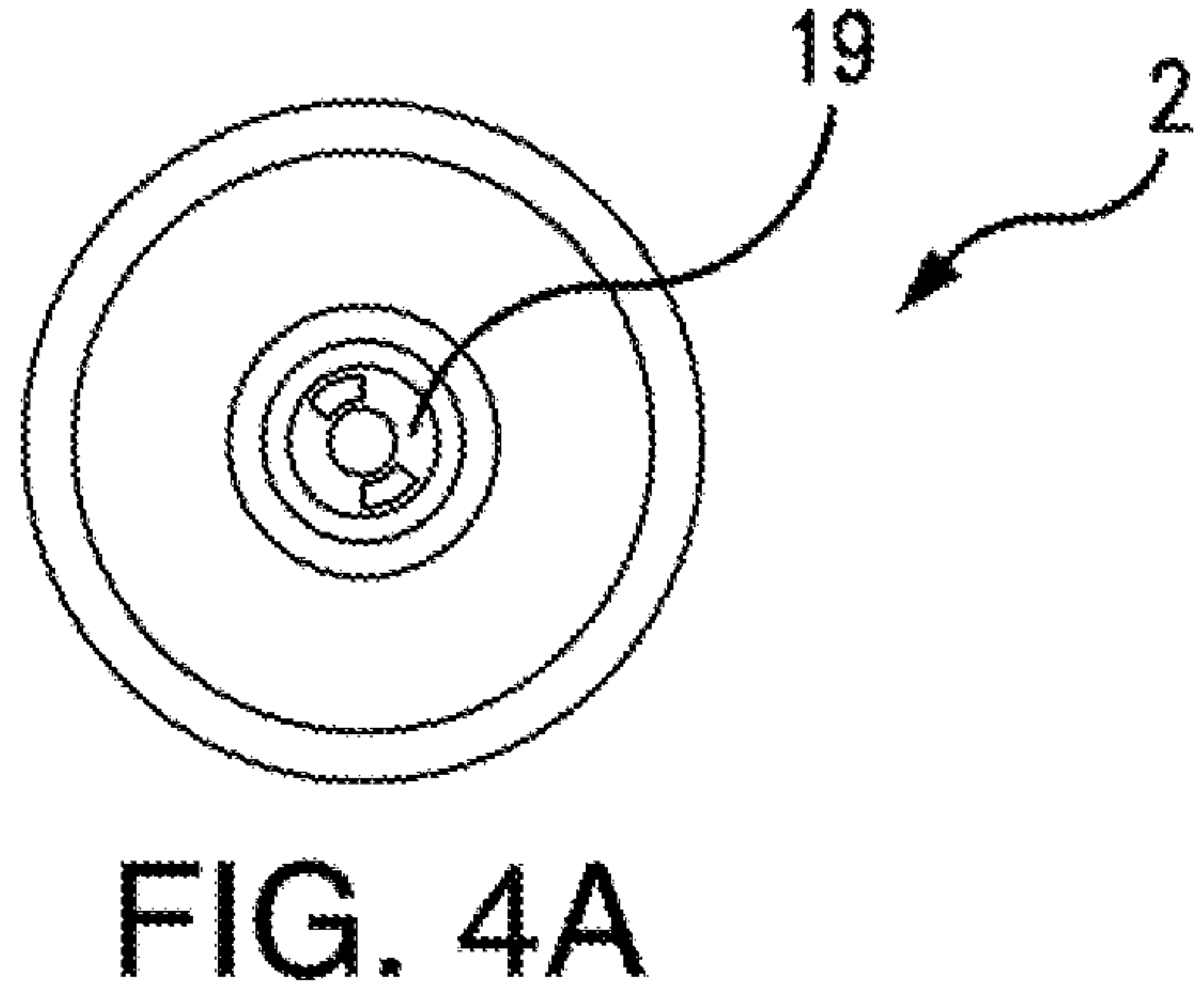
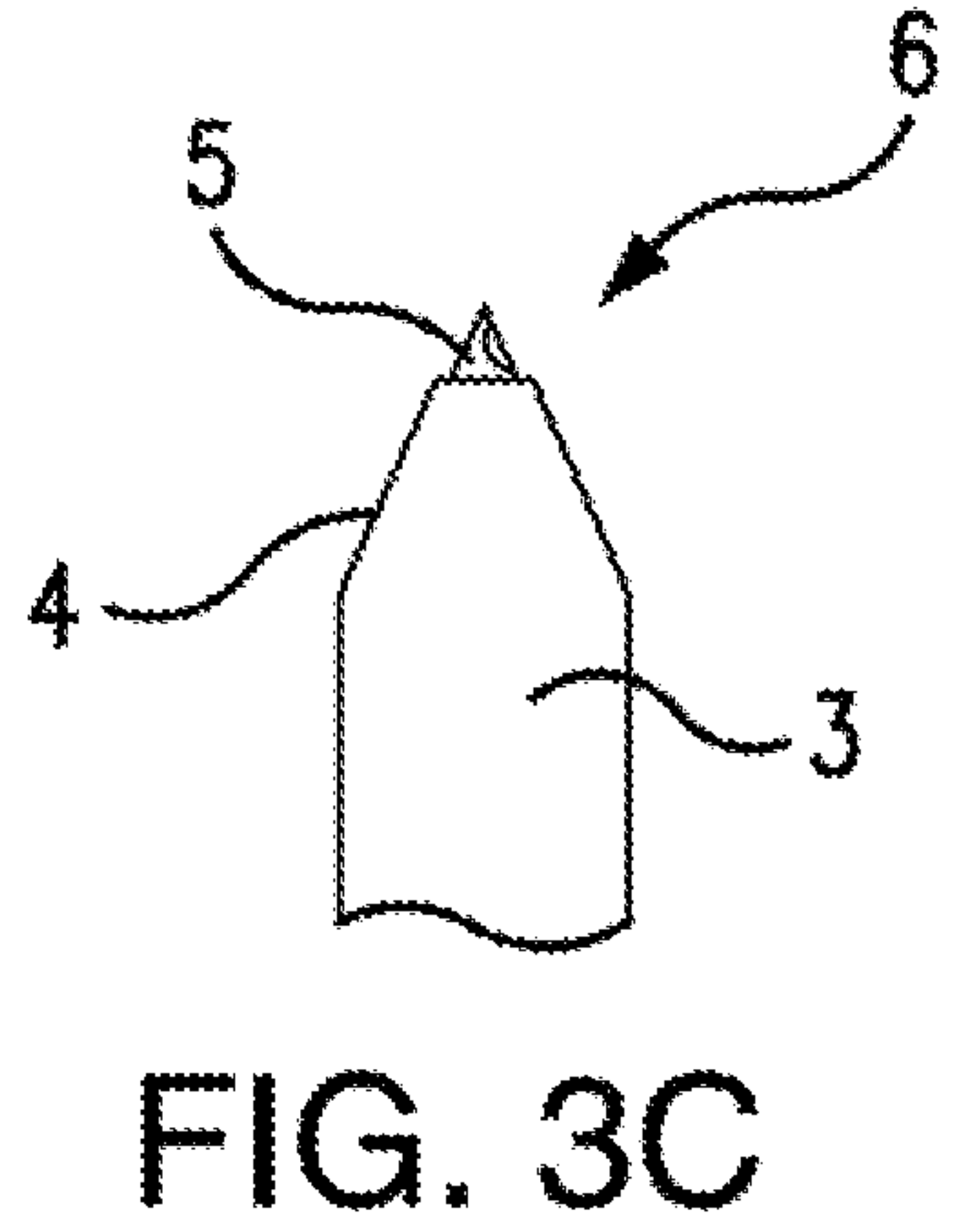
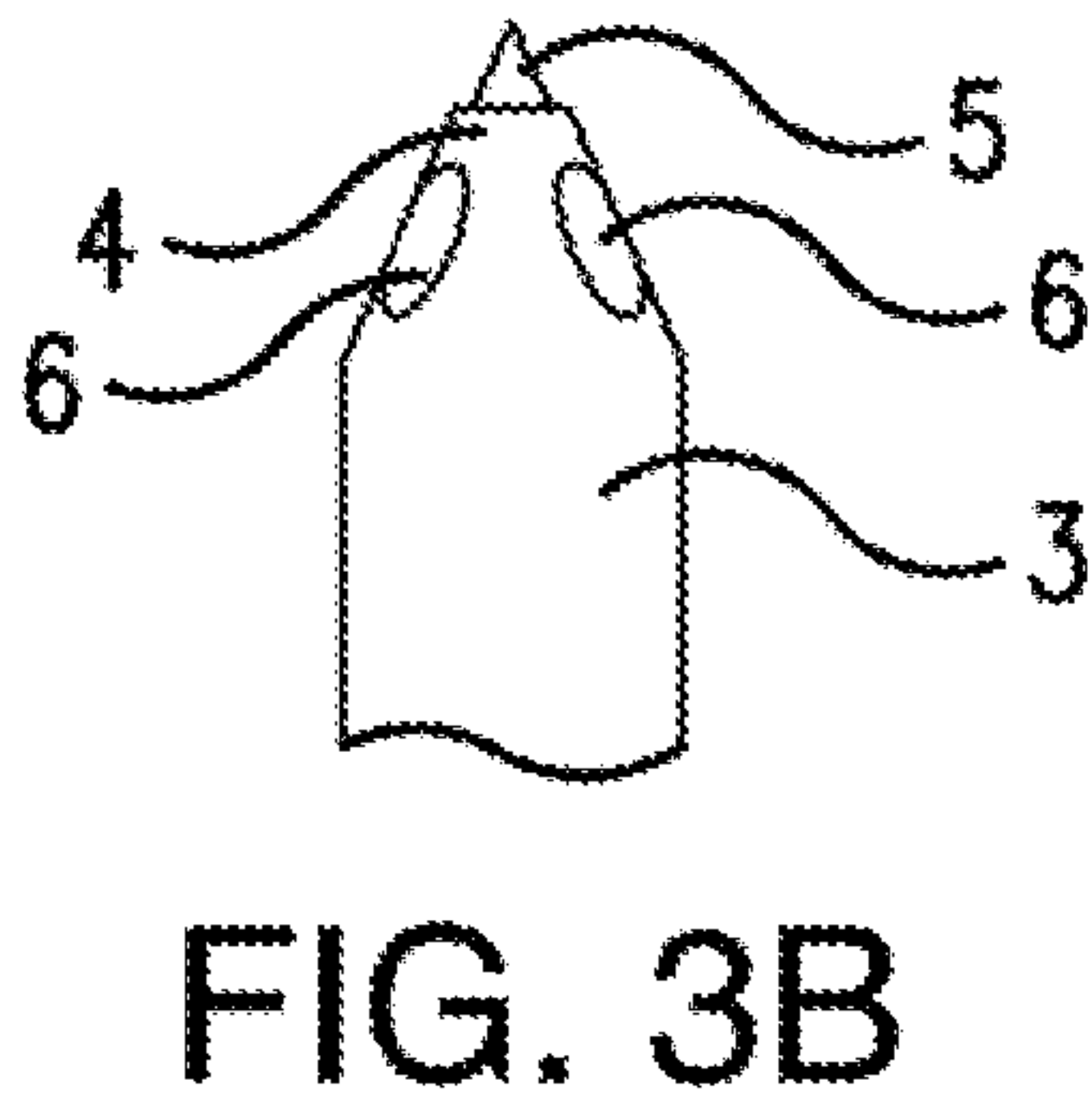
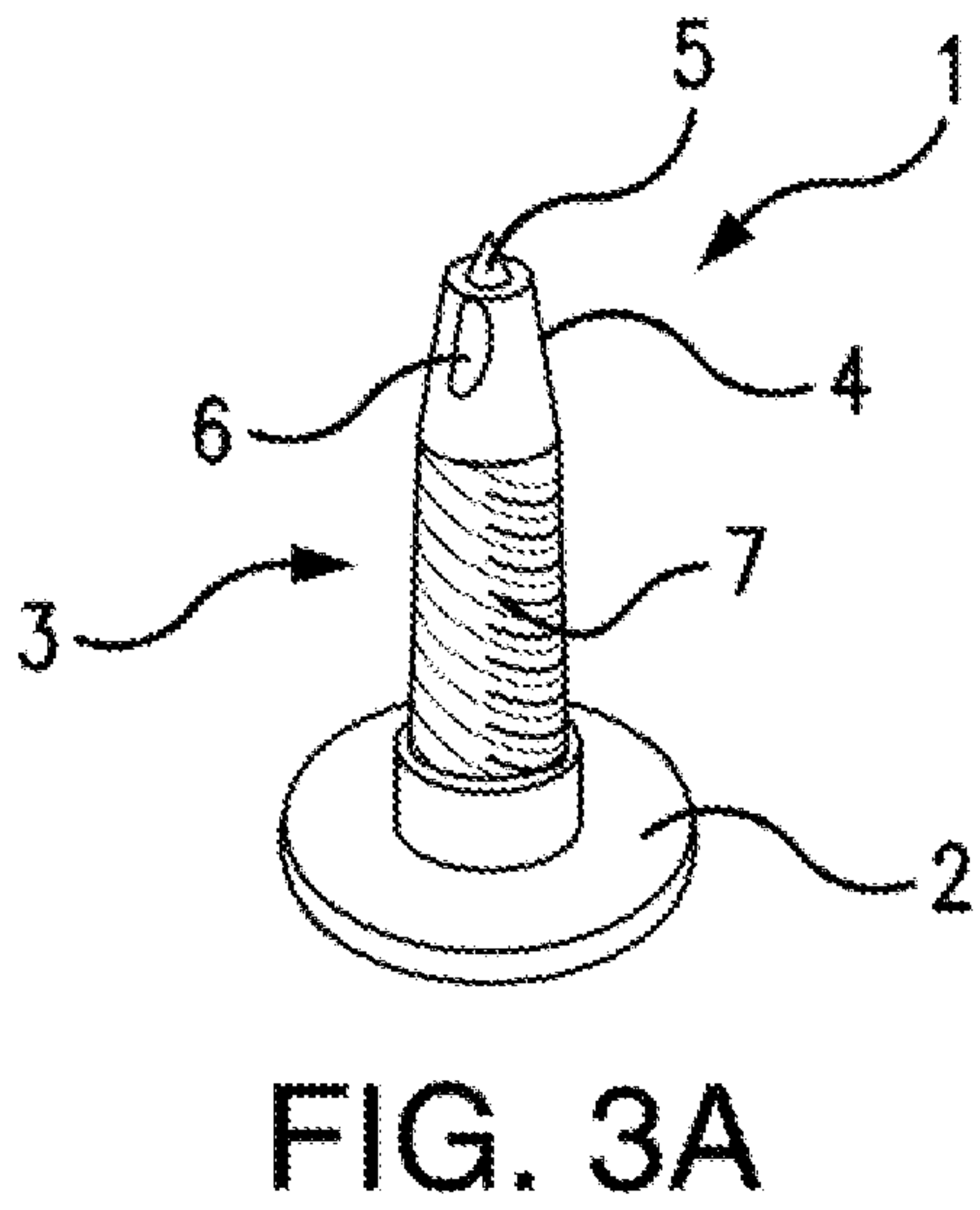
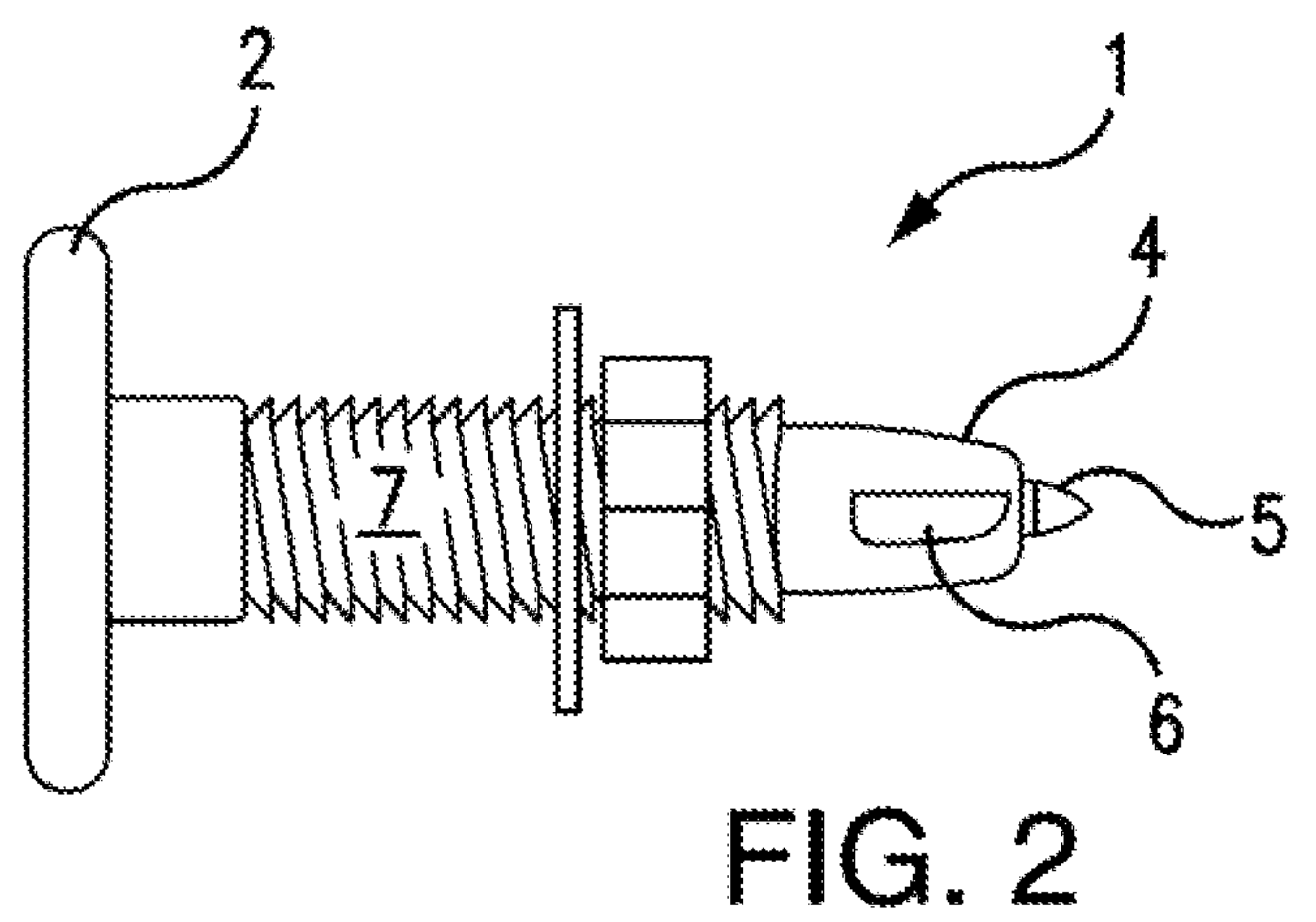
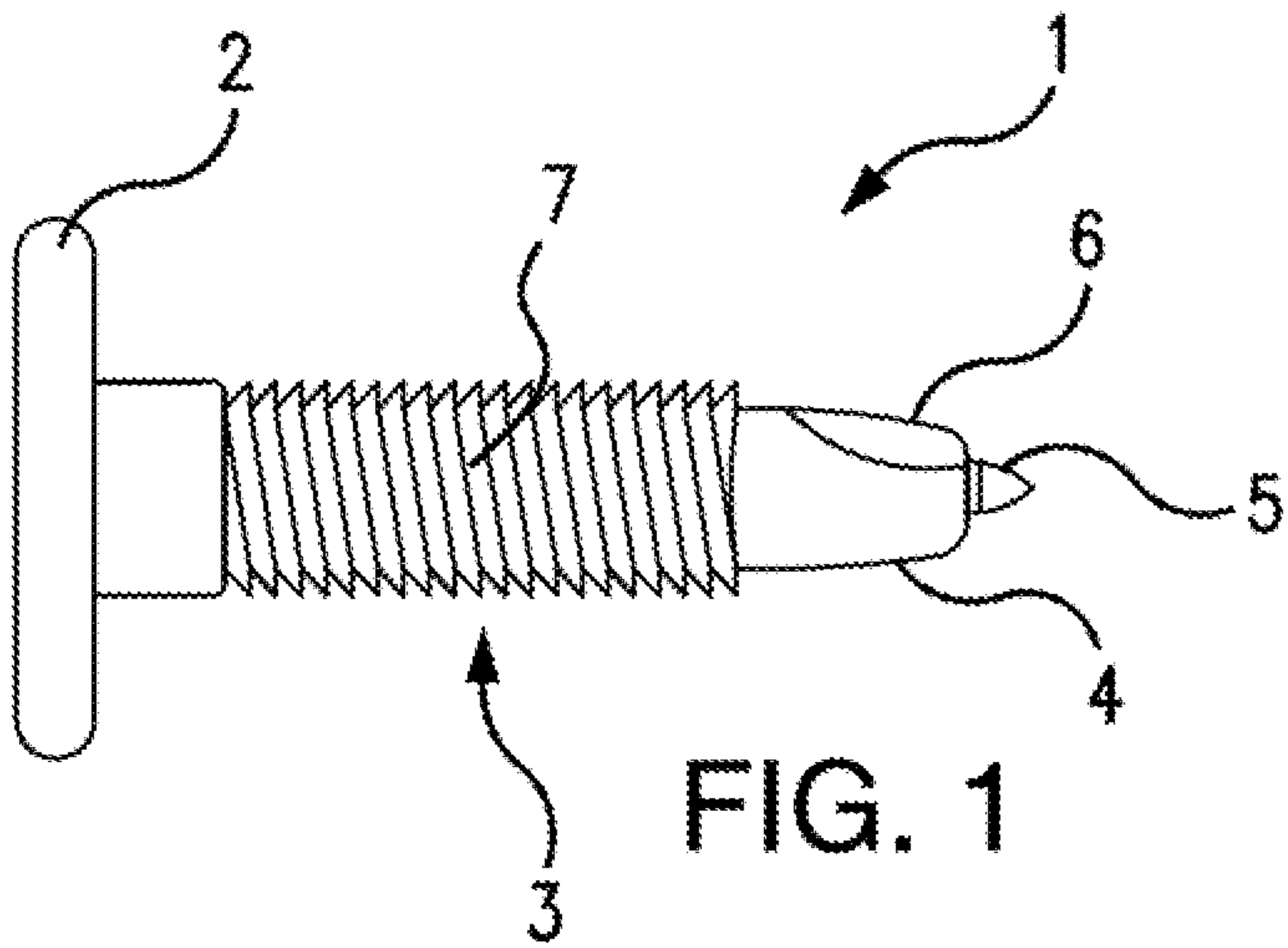
19. A threaded cap for use on traction studs for endless
tracks, said threaded cap comprising:

- i. a housing, said housing having a first end and a
second end, said first end being a hollow opening,
and contained within said hollow opening on an
interior wall of said housing, bolt threads, said
second end being tapered to a distal point;
- ii. said bolt threads being configured to conform to
said threaded surface of said traction stud.

20. A threaded cap as claimed in claim 22 wherein there is
surmounted on said tapered end, a piercing carbide tip.

21. A threaded cap as claimed in claim 23 wherein the piercing
carbide tip has at least one flute in it.

22. A threaded cap as claimed in claim 25 wherein the carbide
insert has at least two flutes in it.



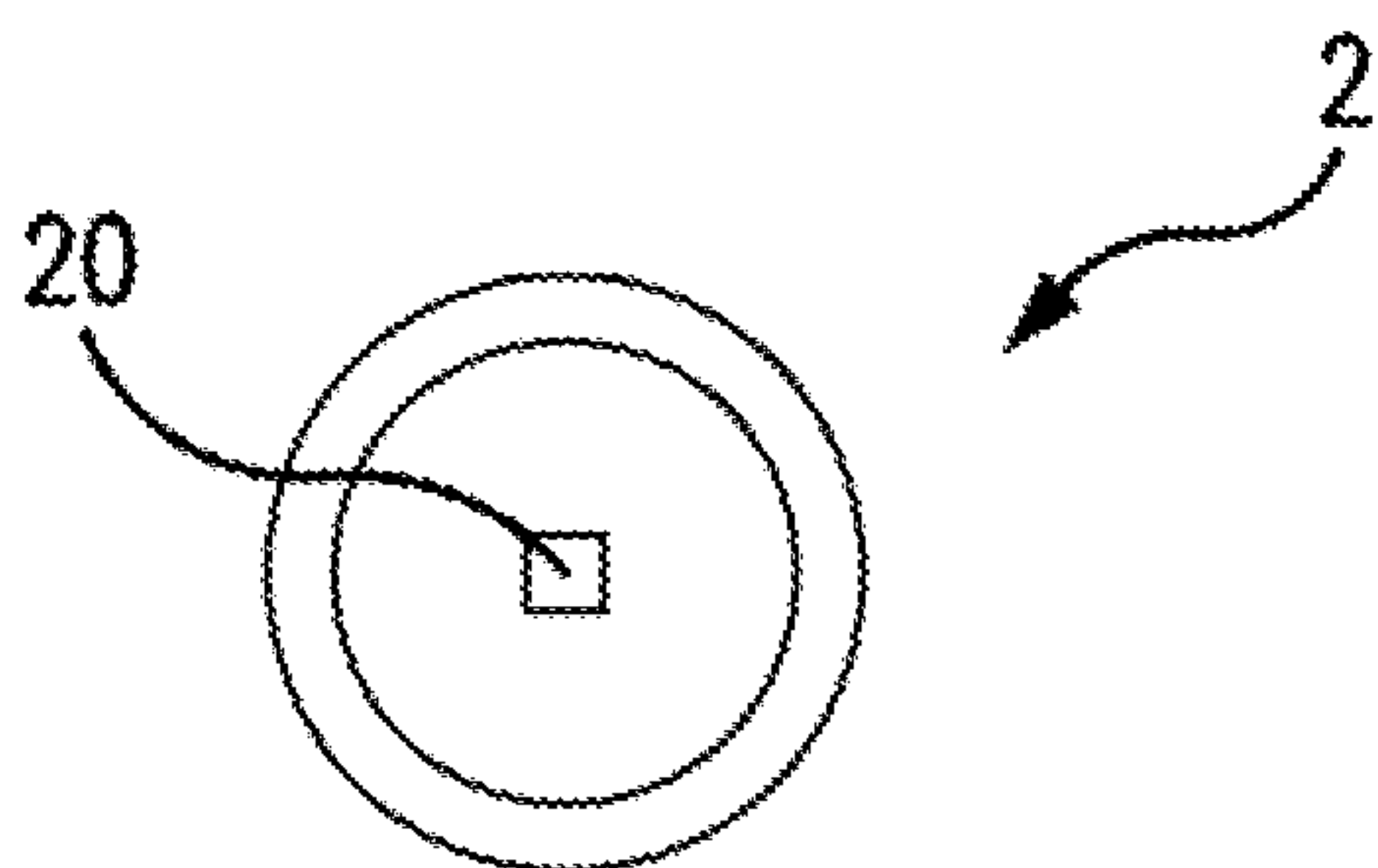


FIG. 4B

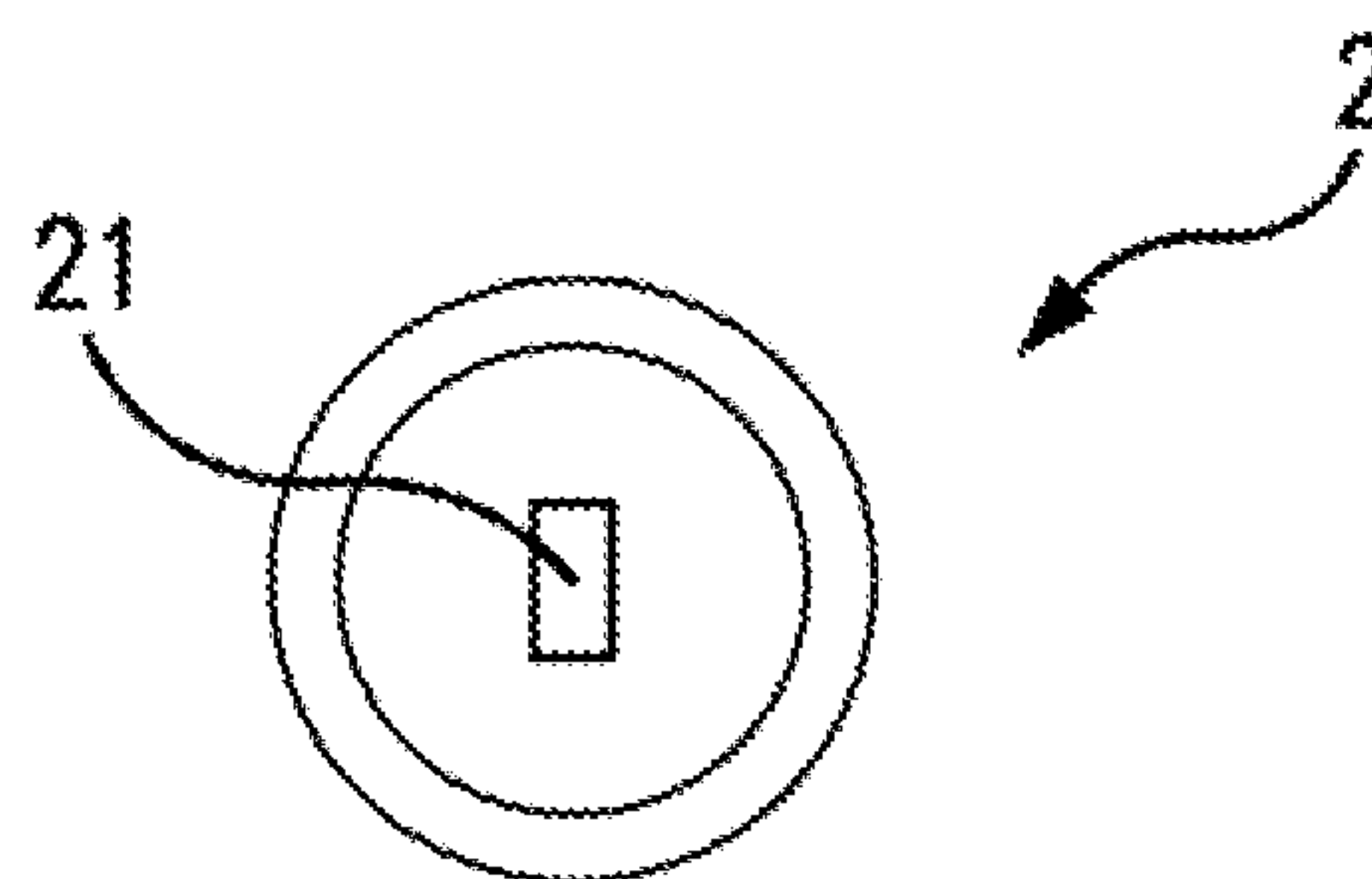


FIG. 4C

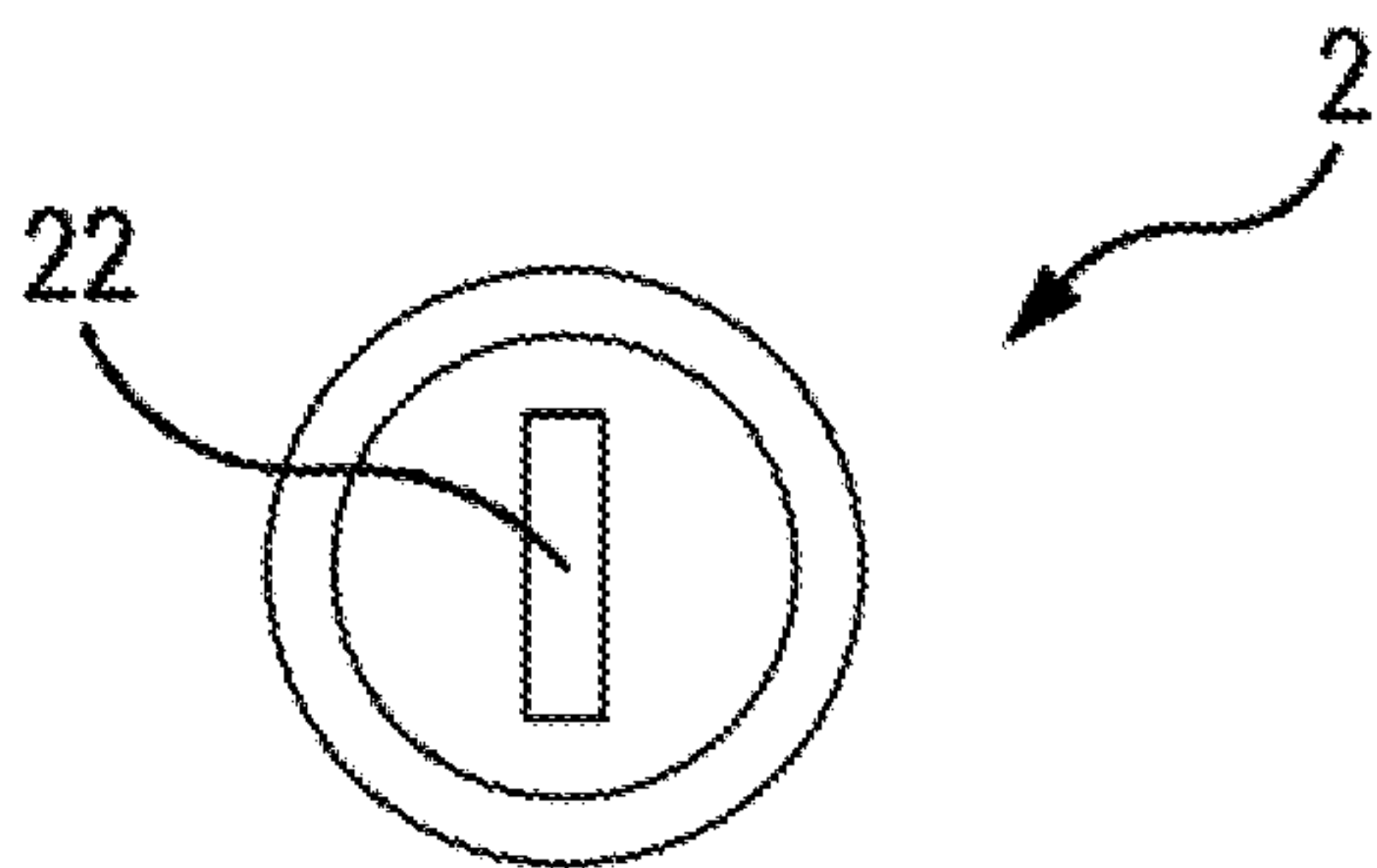


FIG. 4D

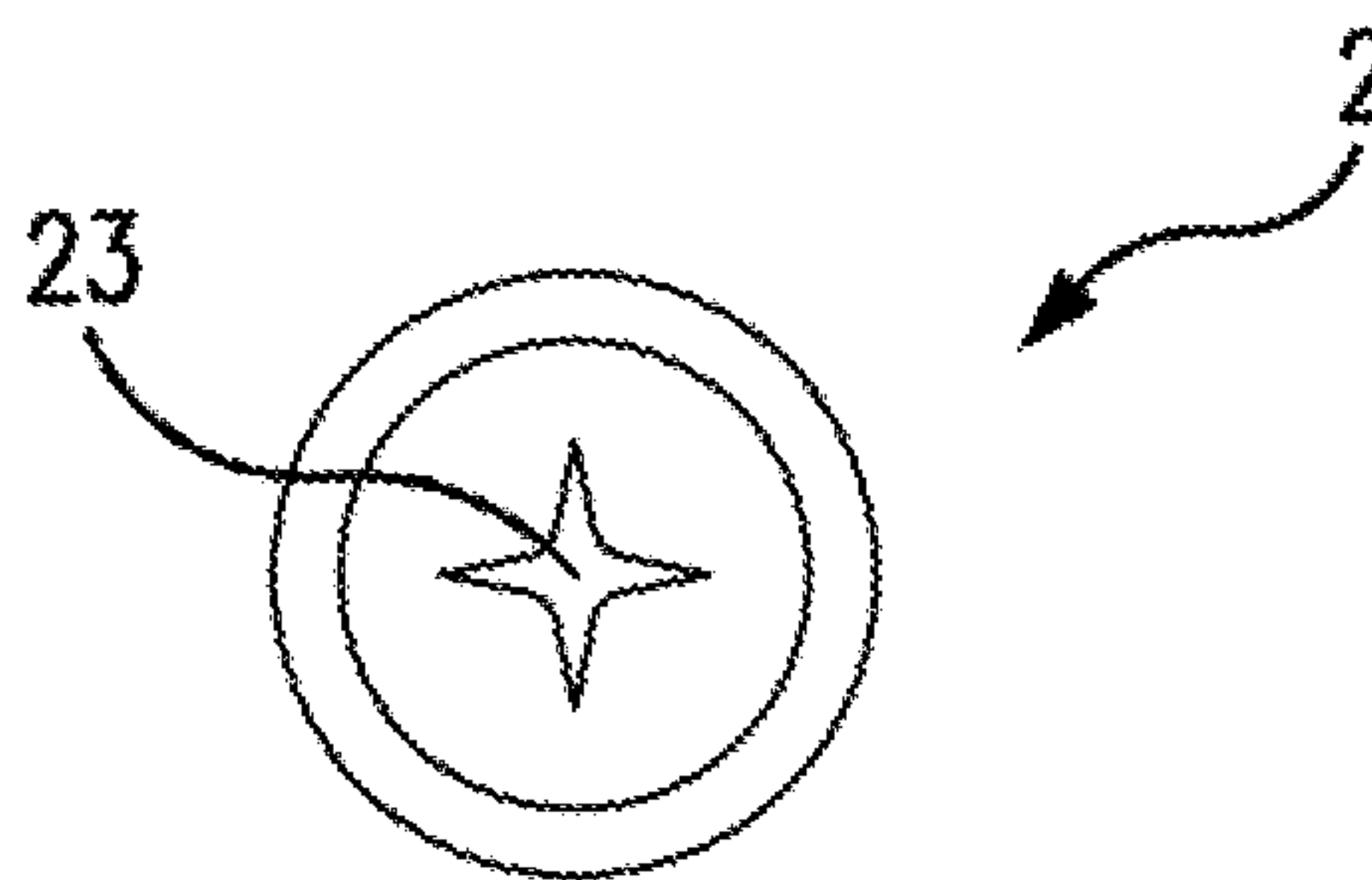


FIG. 4E

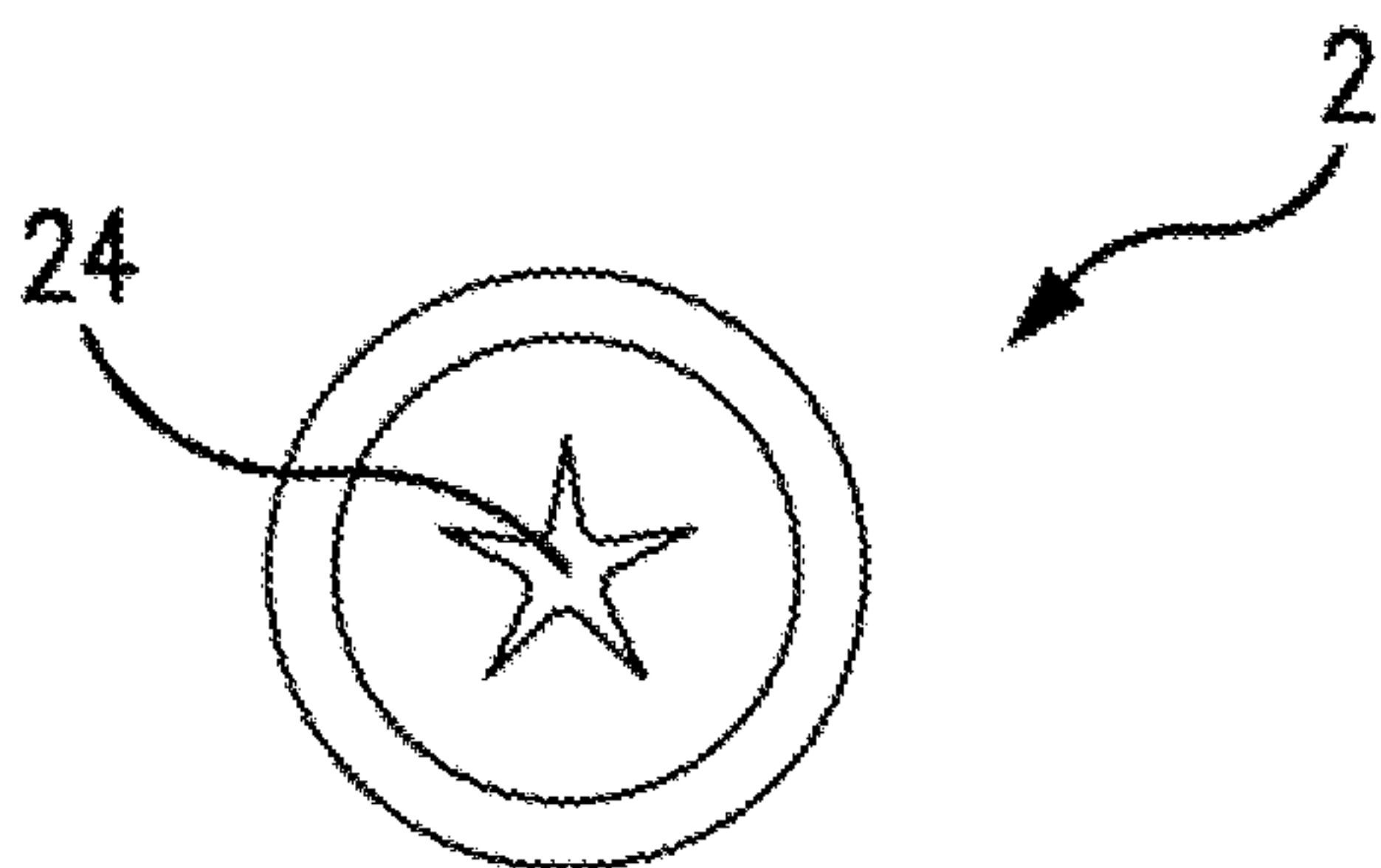


FIG. 4F

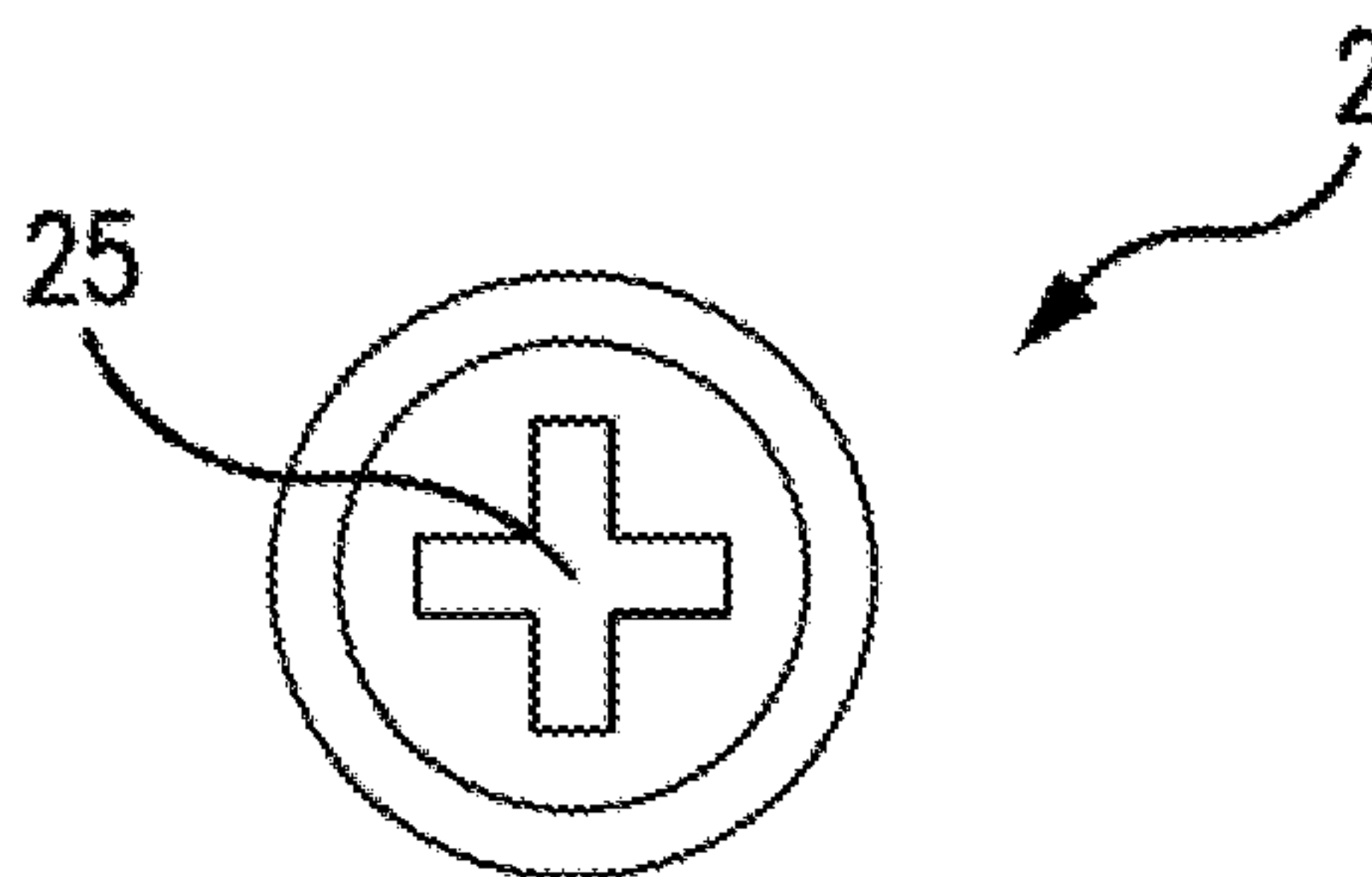


FIG. 4G

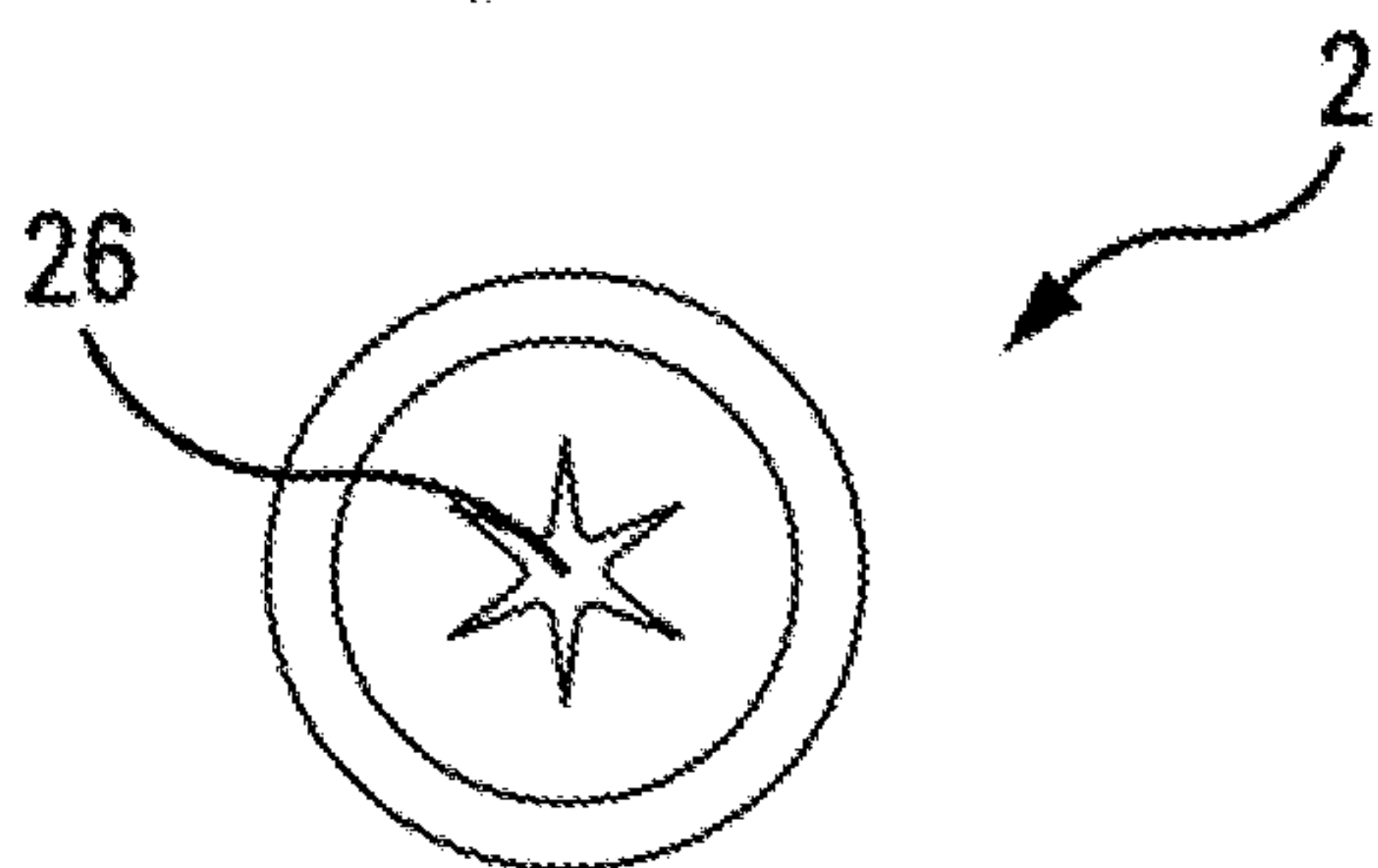


FIG. 4H

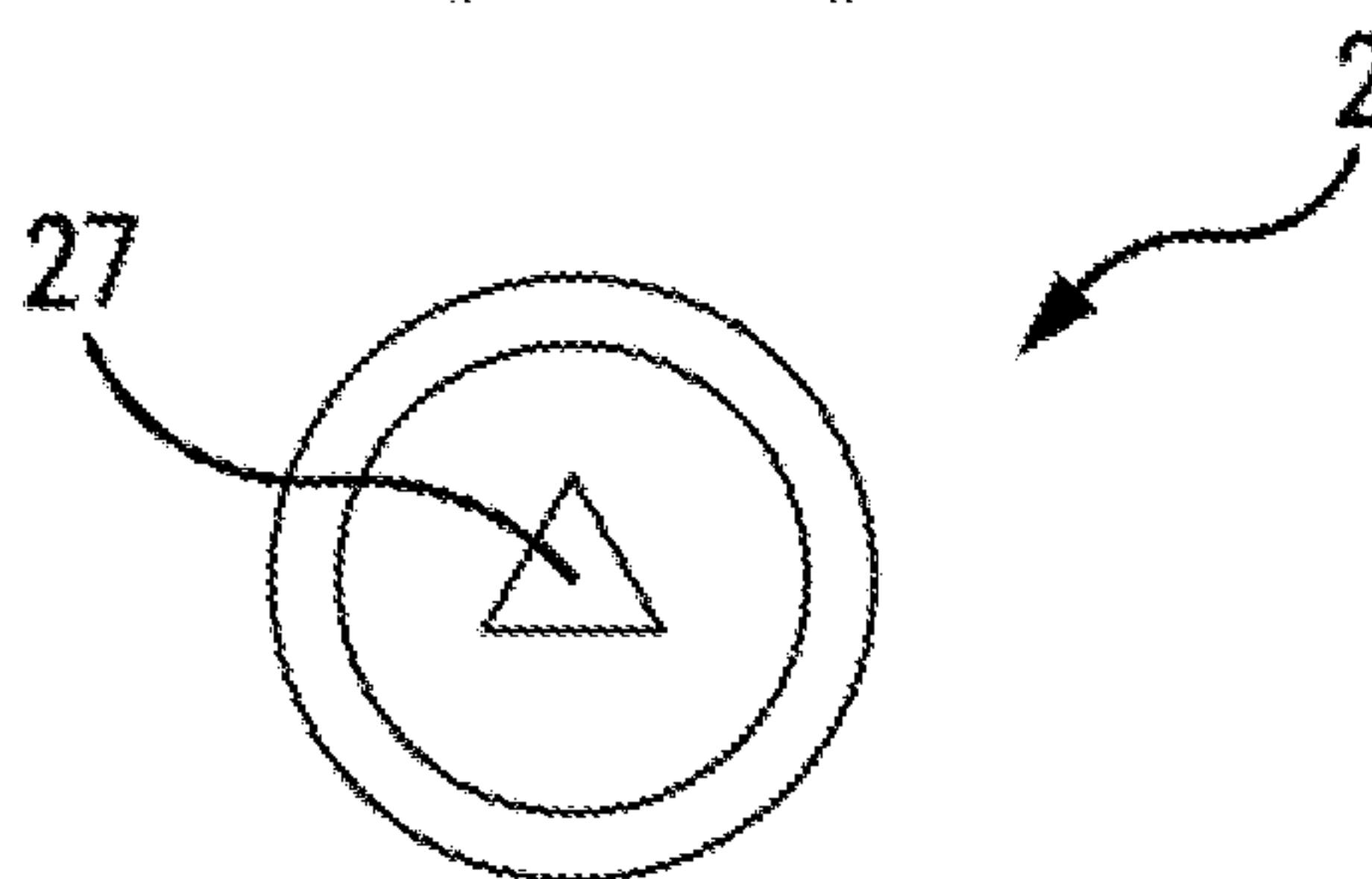


FIG. 4I

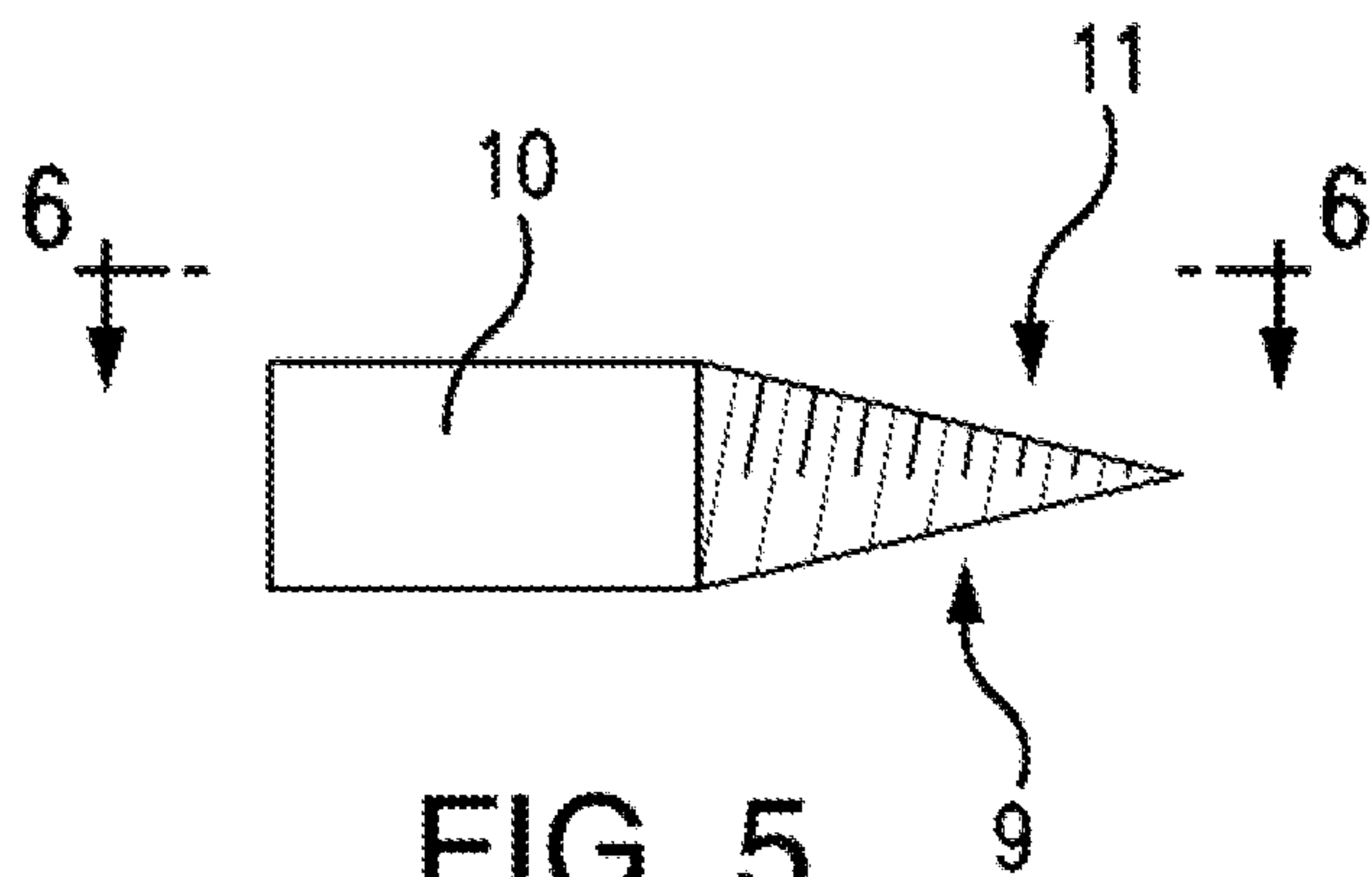


FIG. 5

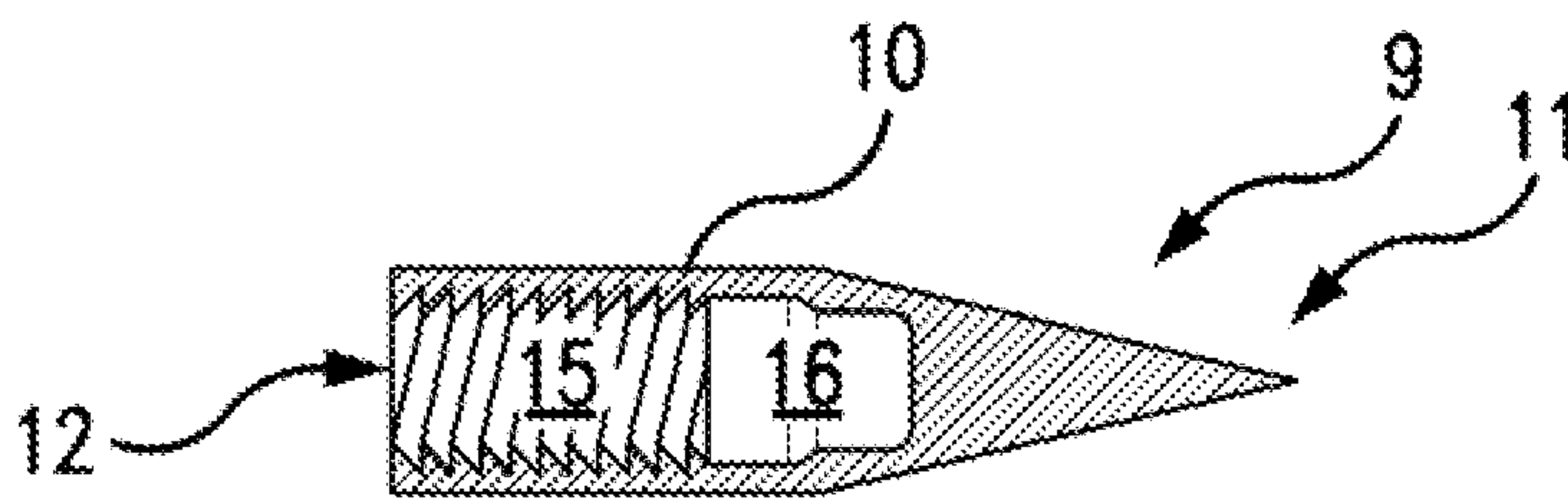


FIG. 6

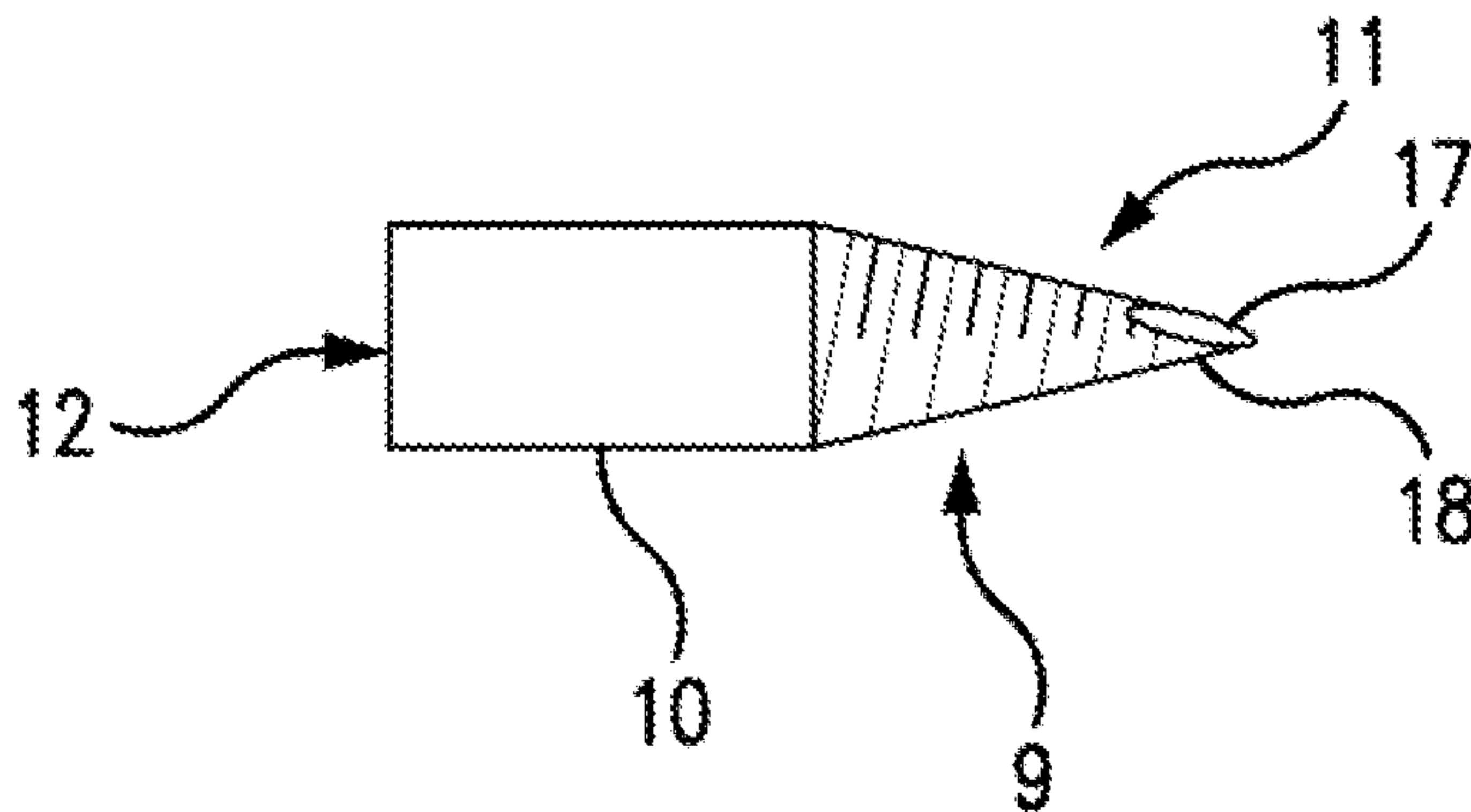


FIG. 7

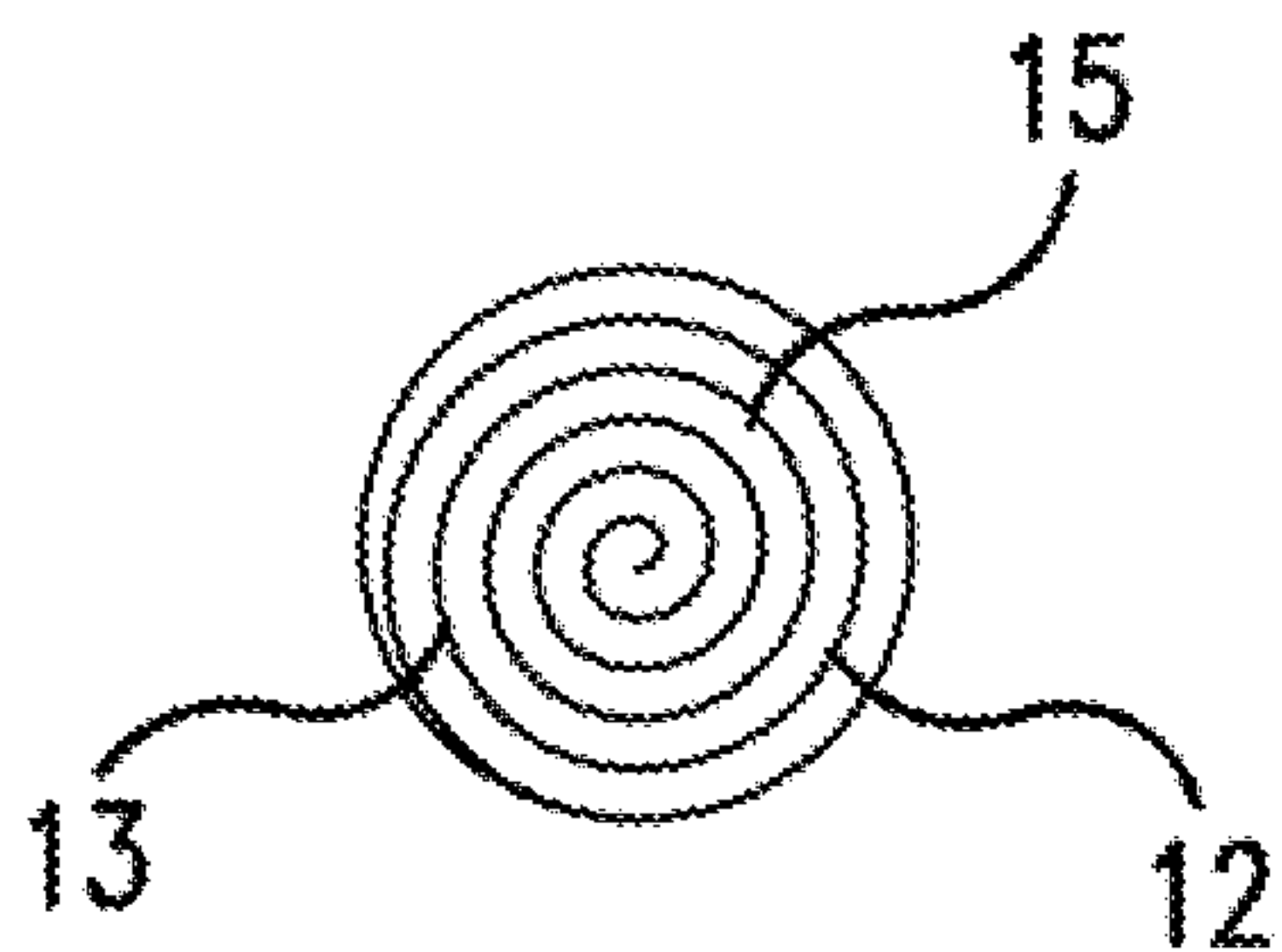


FIG. 8

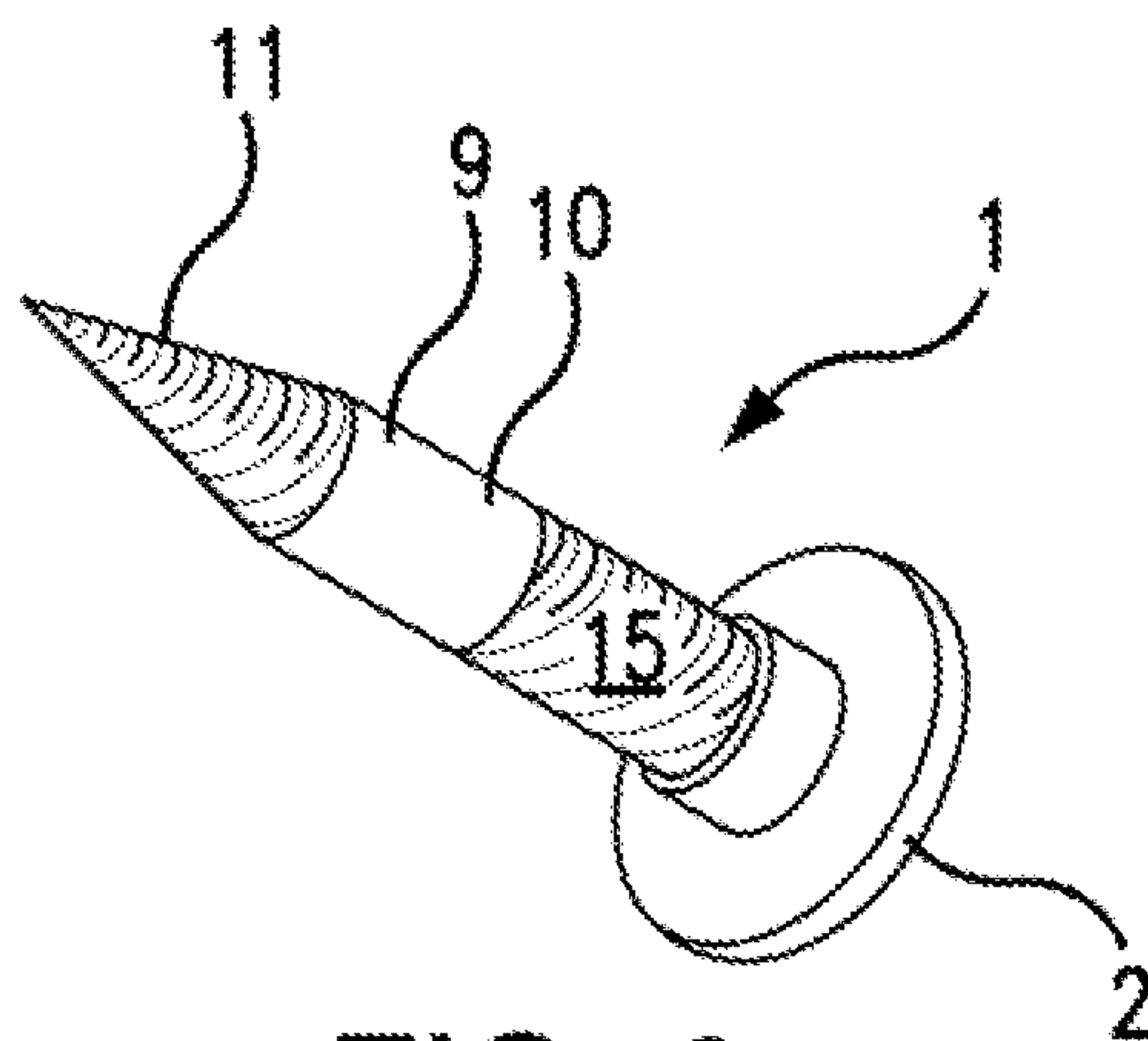


FIG. 9

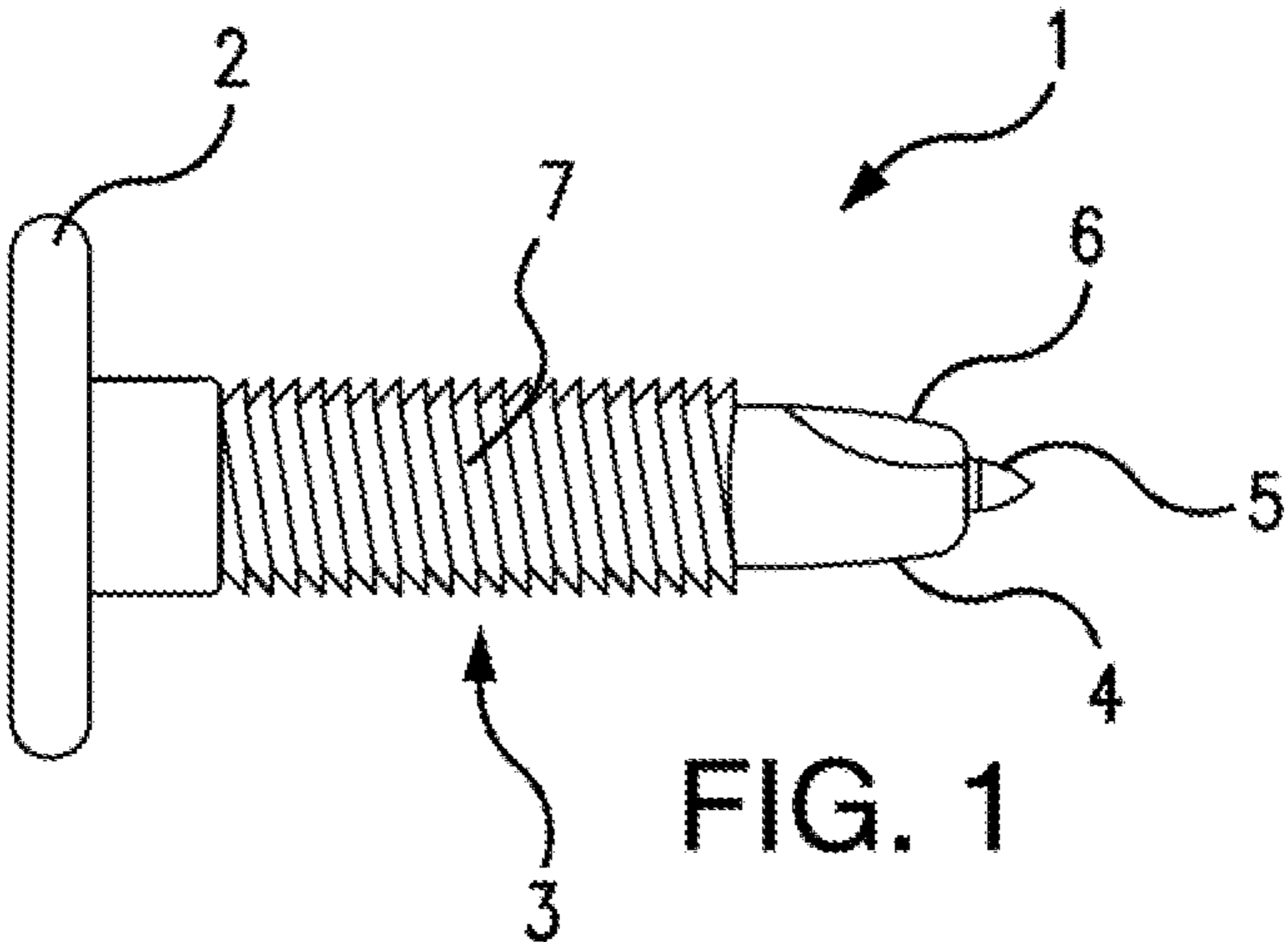


FIG. 1