



US00D508596S

(12) **United States Design Patent**
Chochinov et al.

(10) **Patent No.:** **US D508,596 S**

(45) **Date of Patent:** **** Aug. 16, 2005**

(54) **CADDY FOR CONTAINER**

(75) Inventors: **Jeffrey A. Chochinov**, Stephens City, VA (US); **Donald C. Presnell**, Stephens City, VA (US); **Carl R. Schulz**, Winchester, VA (US); **Robert J. Tokash**, Stephens City, VA (US)

(73) Assignee: **Rubbermaid Commercial Products LLC**, Winchester, VA (US)

(**) Term: **14 Years**

(21) Appl. No.: **29/187,049**

(22) Filed: **Jul. 28, 2003**

(51) **LOC (8) Cl.** **09-09**

(52) **U.S. Cl.** **D34/10**

(58) **Field of Search** D34/10, 11, 1, D34/5, 6; D32/53; 211/66, 70.6; 280/47.26, 47.27, 654; 206/373

(56) **References Cited**

U.S. PATENT DOCUMENTS

3,145,031	A	*	8/1964	Thomas	280/47.35
3,298,532	A	*	1/1967	Wilcke	211/70.6
4,475,660	A		10/1984	Cain		
4,947,998	A	*	8/1990	Smeller	211/70.6
5,092,463	A	*	3/1992	Dees	206/373
5,380,033	A	*	1/1995	Harling	280/654
5,390,944	A	*	2/1995	Sherwin	280/47.35
5,704,496	A	*	1/1998	Latta	211/70.6
D396,923	S		8/1998	Moore		
D406,427	S		3/1999	Keller		
5,893,572	A		4/1999	Parks		
6,179,306	B1	*	1/2001	Maxwell	280/47.26

6,402,002	B1		6/2002	Benton		
6,516,959	B1		2/2003	Gribbins et al.		
D474,318	S	*	5/2003	Van Landingham et al.	. . .	D34/10
6,666,465	B2	*	12/2003	Chan	280/47.26

* cited by examiner

Primary Examiner—Cynthia E. Ramirez

(74) *Attorney, Agent, or Firm*—Foley & Lardner LLP

(57) **CLAIM**

The ornamental design for the caddy for container, as shown and described.

DESCRIPTION

FIG. 1 is a perspective top, front and right side view of the caddy for container;

FIG. 2 is a top plan view of the caddy for container of FIG. 1;

FIG. 3 is a bottom plan view of the caddy for container of FIG. 1;

FIG. 4 is a rear elevation view of the caddy for container of FIG. 1;

FIG. 5 is a front elevation view of the caddy for container of FIG. 1;

FIG. 6 is a right side elevation view of the caddy for container of FIG. 1;

FIG. 7 is a left side elevation view of the caddy for container of FIG. 1; and,

FIG. 8 is a perspective top, front and right side view showing the new design positioned on a container.

The ornamental design which is claimed is shown in solid lines in the drawings. The broken lines in the drawings are for illustrative purposes only and form no part of the claimed design.

1 Claim, 6 Drawing Sheets

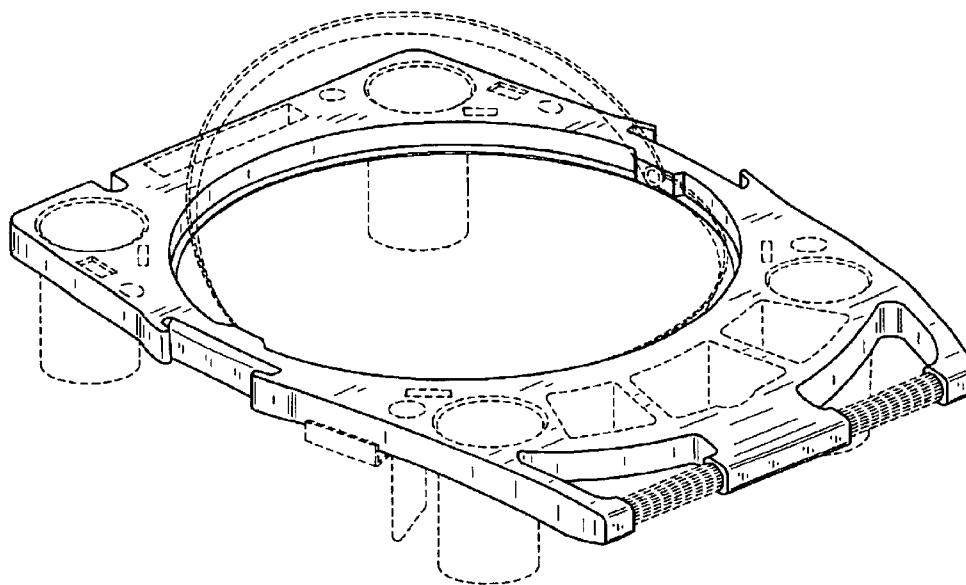


FIG.1

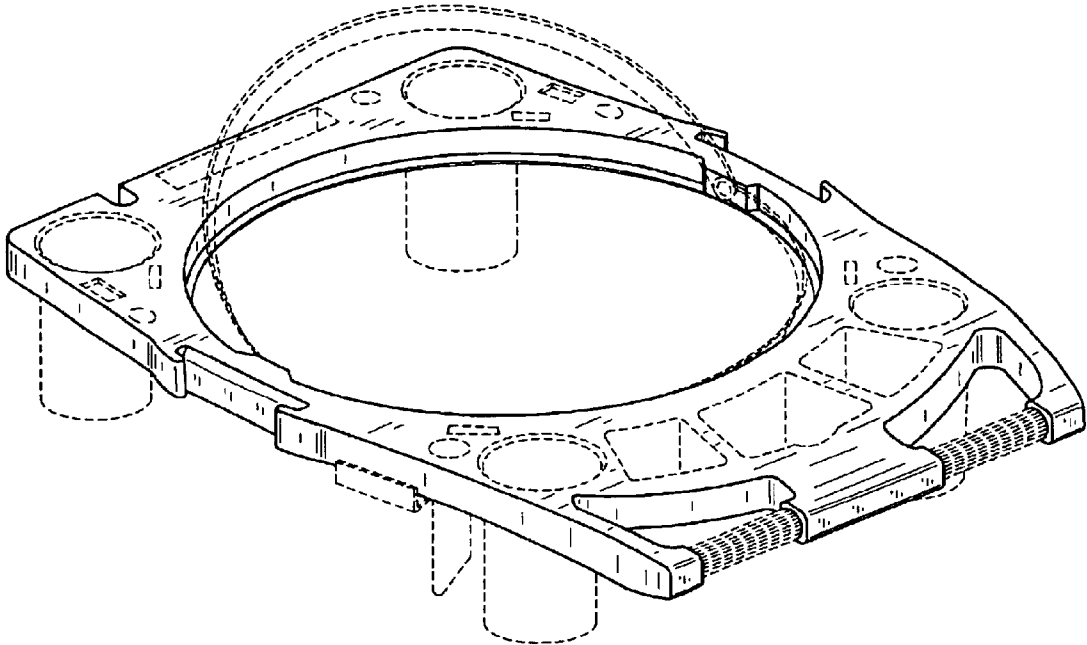


FIG. 2

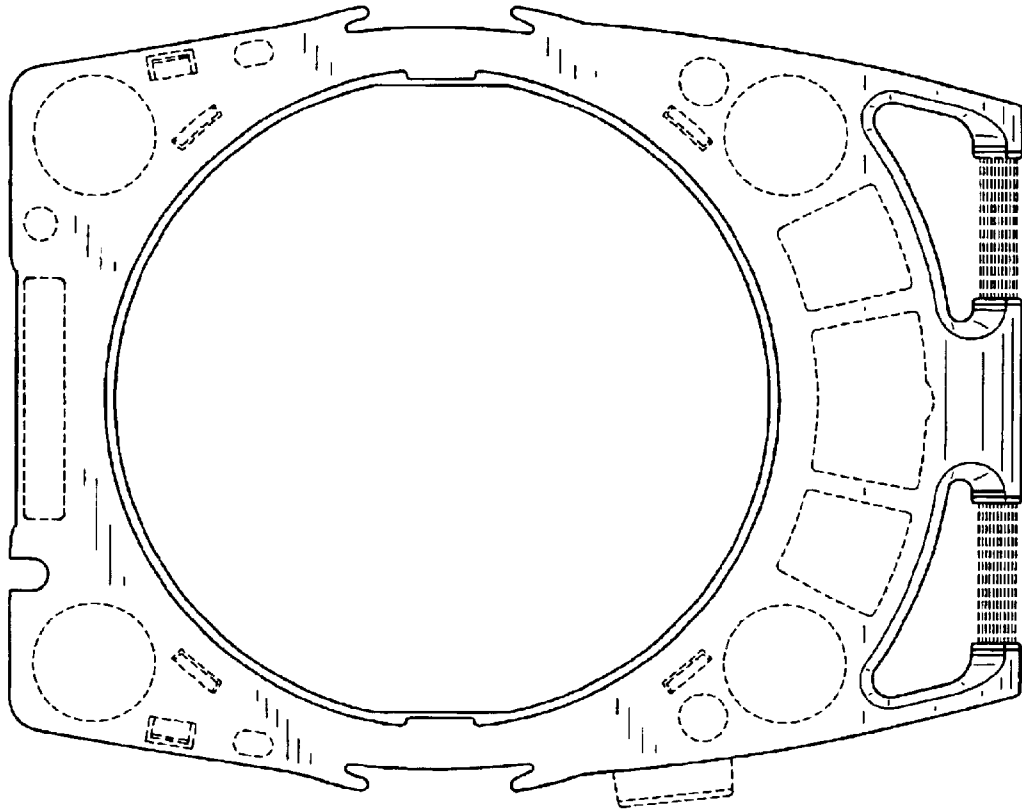


FIG. 3

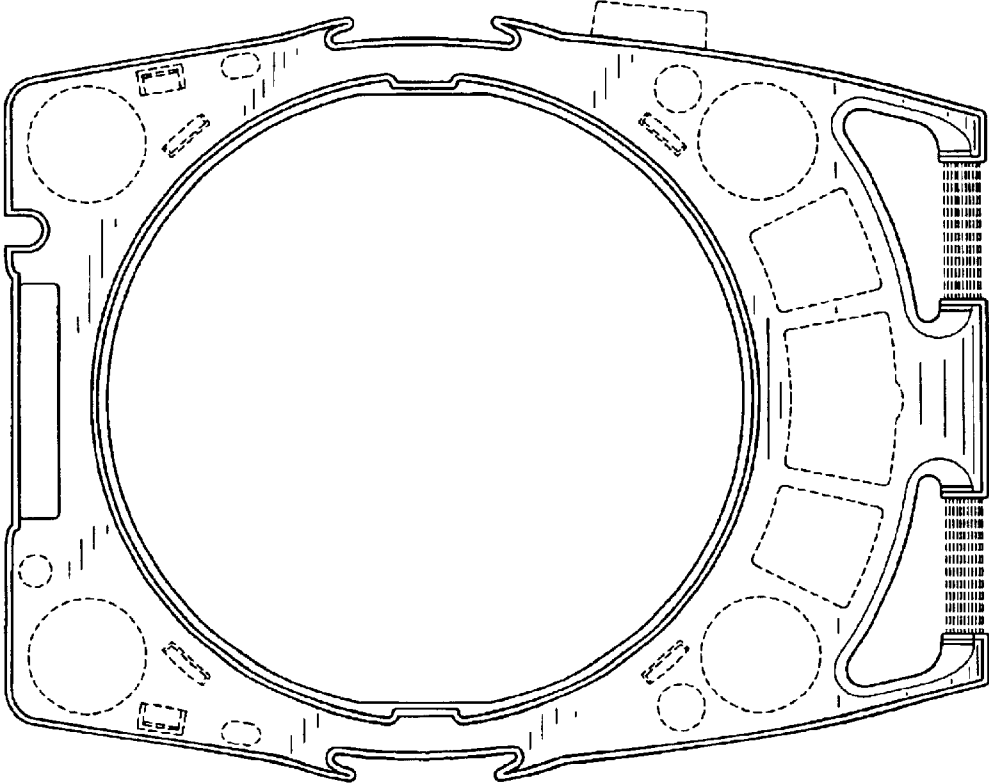


FIG. 4

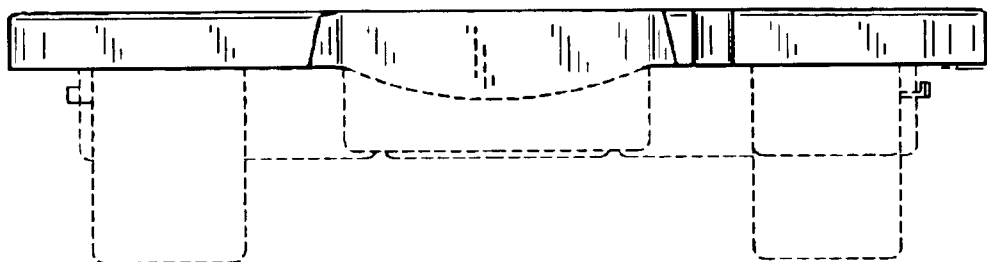


FIG. 5

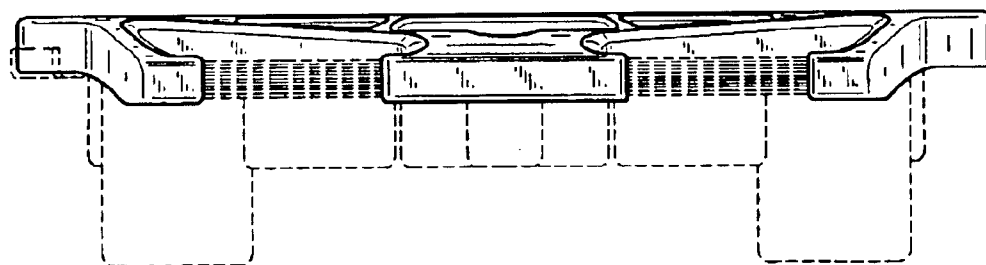


FIG. 6

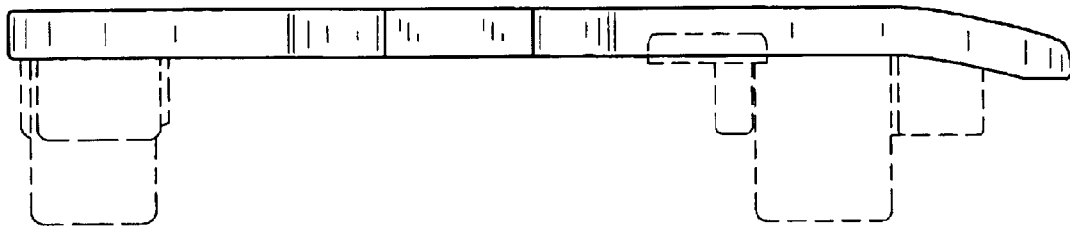


FIG. 7

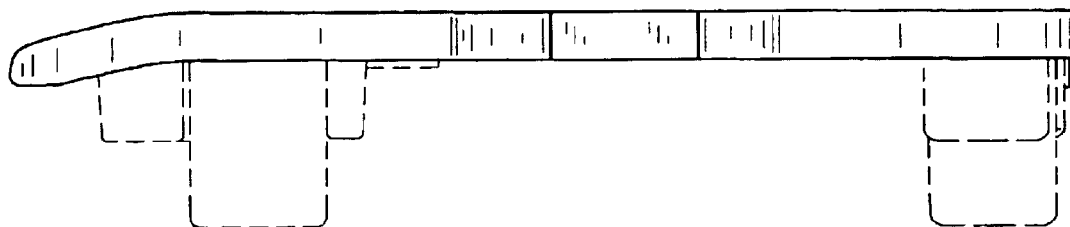


FIG. 8

