



US00D715618S

(12) **United States Design Patent**
Smith et al.

(10) **Patent No.:** **US D715,618 S**

(45) **Date of Patent:** **** Oct. 21, 2014**

(54) **ABRASIVE SHARPENER**

(75) Inventors: **Richard S. Smith**, Hot Springs, AR (US); **Louis Chalfant**, Hot Springs, AR (US)

(73) Assignee: **Smith's Consumer Products, Inc.**, Hot Springs, AR (US)

(**) Term: **14 Years**

(21) Appl. No.: **29/421,612**

(22) Filed: **Aug. 23, 2012**

(51) **LOC (10) Cl.** **08-05**

(52) **U.S. Cl.**
USPC **D8/91**

(58) **Field of Classification Search**
USPC D8/62, 63, 90-94; 76/82, 1, 82.2, 83, 76/84, 86-89; 451/552, 555-558
See application file for complete search history.

(56) **References Cited**

U.S. PATENT DOCUMENTS

458,243	A	*	8/1891	Townsend	76/82.2
1,025,393	A	*	5/1912	Gillespie	76/83
2,086,005	A	*	7/1937	Talbot	76/82.1
2,141,359	A	*	12/1938	McKittrick	76/82.1
D116,704	S	*	9/1939	Conway et al.	D8/93
3,996,818	A	*	12/1976	Lindsay	76/82.1
4,418,588	A	*	12/1983	Byers	76/88
D314,499	S	*	2/1991	Sherman	D8/91
5,488,885	A	*	2/1996	Byers et al.	76/86
D369,081	S	*	4/1996	Byers et al.	D8/91
5,673,599	A	*	10/1997	Byers et al.	76/86
5,679,068	A	*	10/1997	Byers et al.	451/557
D387,262	S	*	12/1997	Byers et al.	D8/91
D394,596	S	*	5/1998	Byers et al.	D8/91
D517,891	S	*	3/2006	Tsuchida	D8/91

(Continued)

Primary Examiner — Philip S Hyder
Assistant Examiner — Roselynn Cody
(74) *Attorney, Agent, or Firm* — Edward D. Gilhooly

(57) **CLAIM**

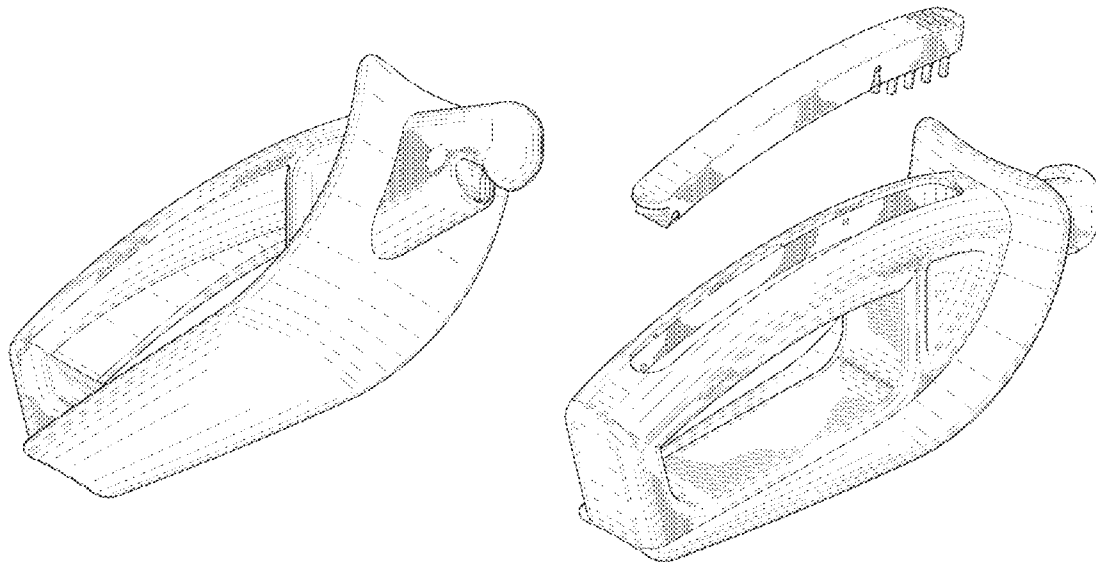
The ornamental design for an abrasive sharpener, as shown and described.

DESCRIPTION

FIG. 1 is a bottom perspective view of the design for an abrasive sharpener of the invention;
 FIG. 2 is a top plan view of the abrasive sharpener of FIG. 1;
 FIG. 3 is a second bottom perspective view of the abrasive sharpener of FIG. 1;
 FIG. 4 is a front elevational view of the abrasive sharpener of FIG. 1;
 FIG. 5 is a rear elevational view of the abrasive sharpener of FIG. 1;
 FIG. 6 is a bottom plan view of the abrasive sharpener of FIG. 1;
 FIG. 7 is a top plan view of the abrasive sharpener of FIG. 1;
 FIG. 8 is a left side elevational view, viewing FIG. 4, of the abrasive sharpener of FIG. 1;
 FIG. 9 is a right side elevational view, viewing FIG. 4, of the abrasive sharpener of FIG. 1;
 FIG. 10 is a top perspective view of an abrasive sharpener of FIG. 1 with the internal removable brush shown in an exploded position;
 FIG. 11 is a bottom perspective view of the abrasive sharpener of FIG. 1 with the internal removable brush shown in an exploded position;
 FIG. 12 is a second bottom perspective view of the abrasive sharpener of FIG. 1 with the internal removable brush shown in an exploded position; and,
 FIG. 13 is a front elevational view of the abrasive sharpener of FIG. 1 with the internal removable brush shown in an exploded position.

The broken lines in the figures illustrate portions of the abrasive sharpener of the invention that form no part of the claim.

1 Claim, 10 Drawing Sheets



US D715,618 S

Page 2

(56)

References Cited

U.S. PATENT DOCUMENTS

7,374,475	B2 *	5/2008	Byers	451/523				
D622,573	S *	8/2010	Friesen et al.	D8/93				
D624,799	S *	10/2010	De Bretton Gordon	D8/93				
									* cited by examiner
D640,523	S *	6/2011	Stutz et al.	D8/93				
D640,909	S *	7/2011	Stutz et al.	D8/93				
2011/0009040	A1 *	1/2011	Wu	451/552				

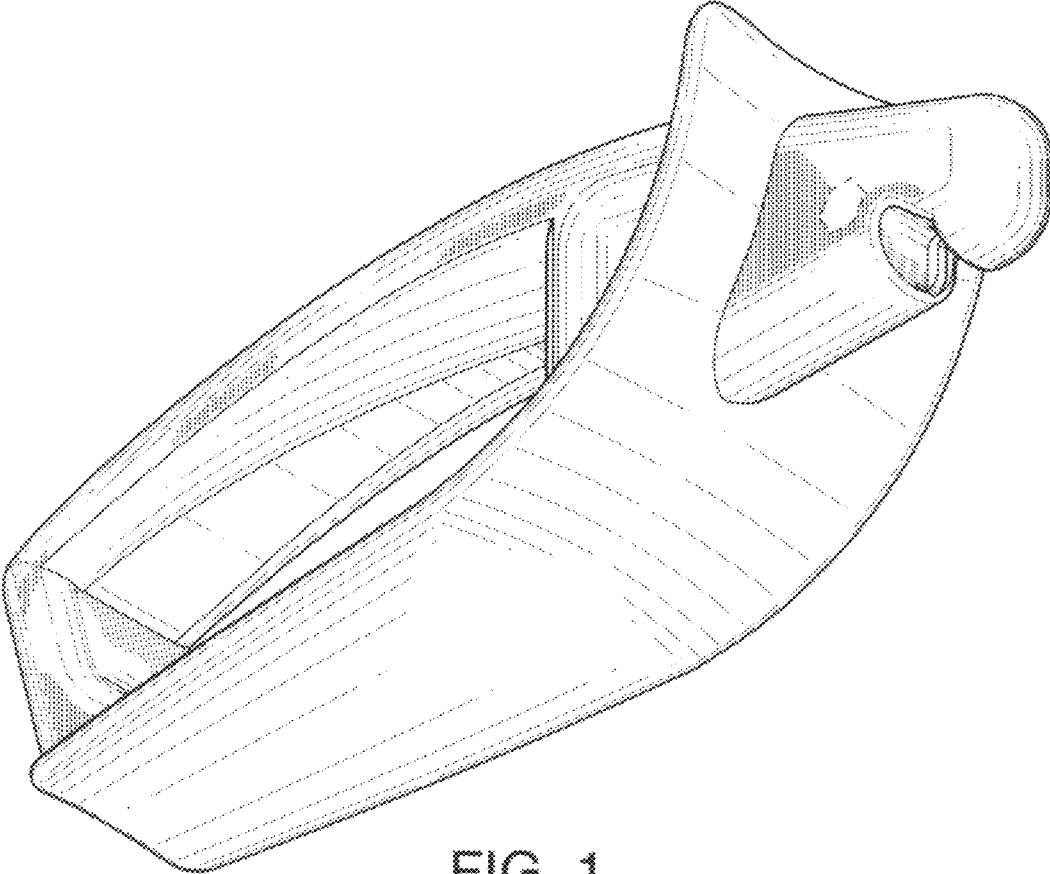


FIG. 1

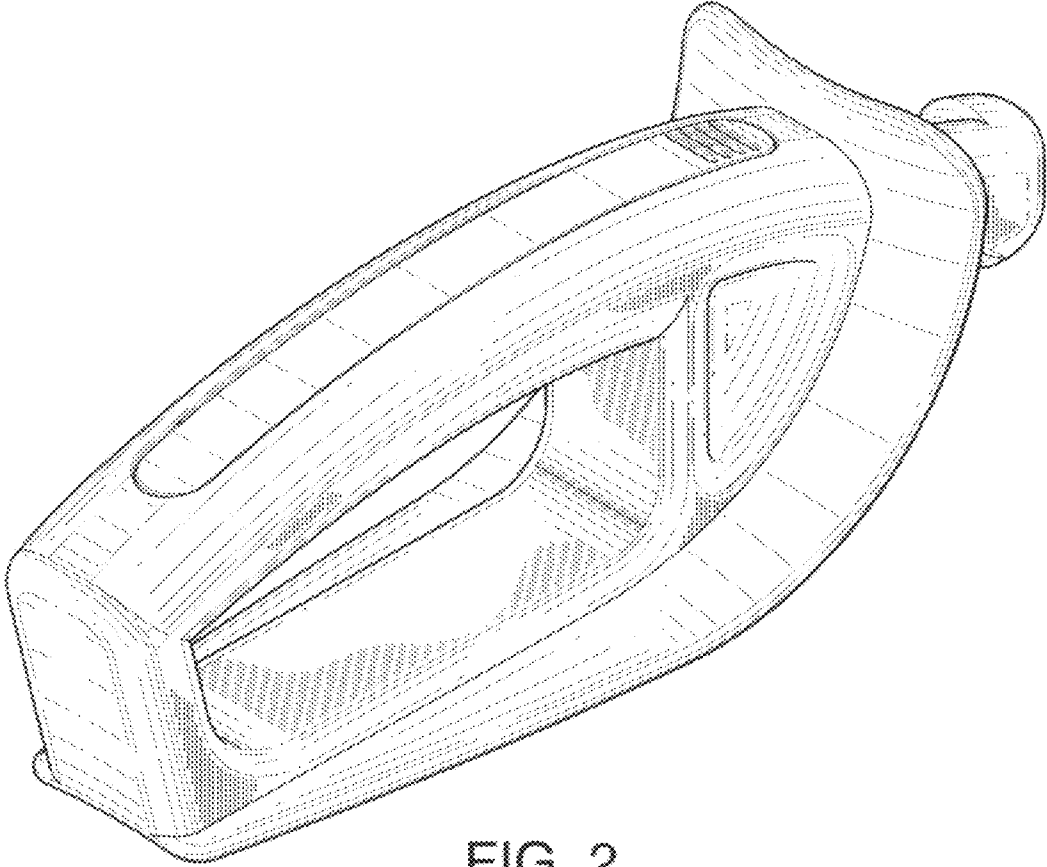


FIG. 2

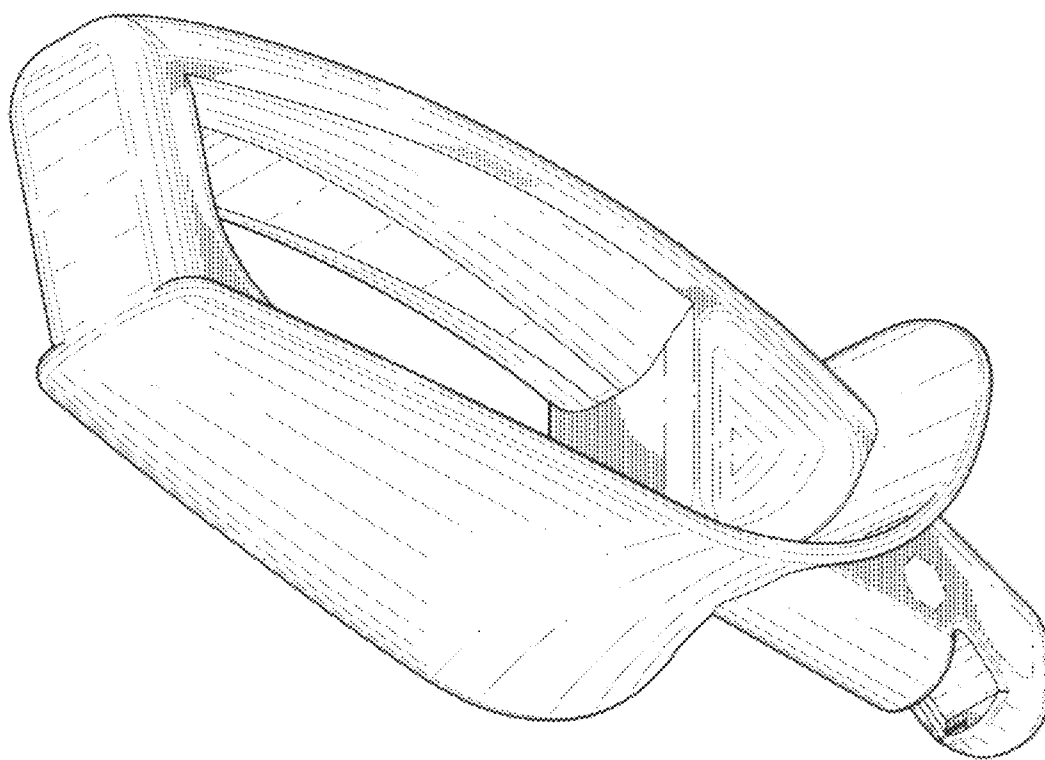


FIG. 3

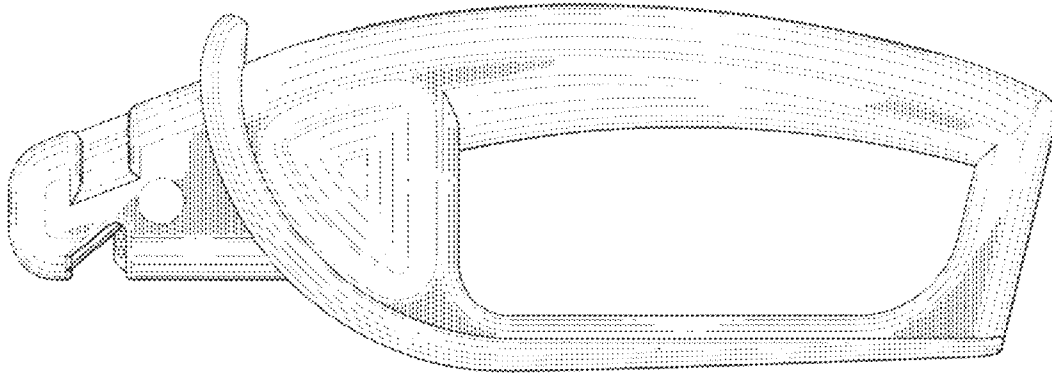


FIG. 4

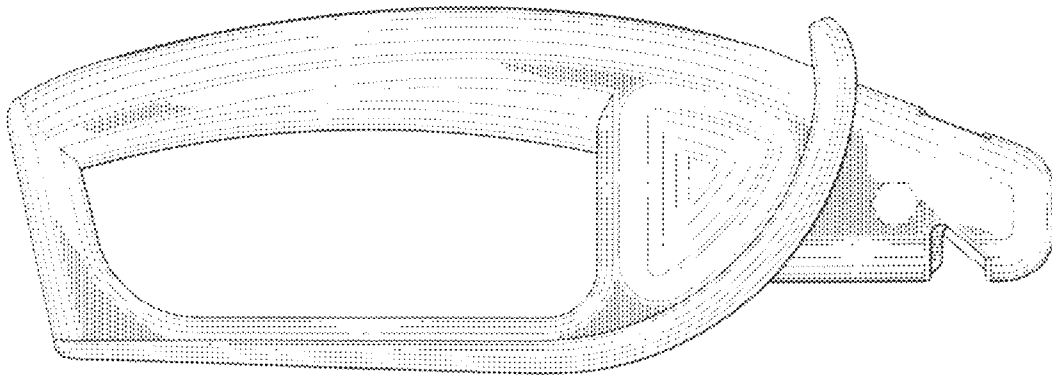


FIG. 5

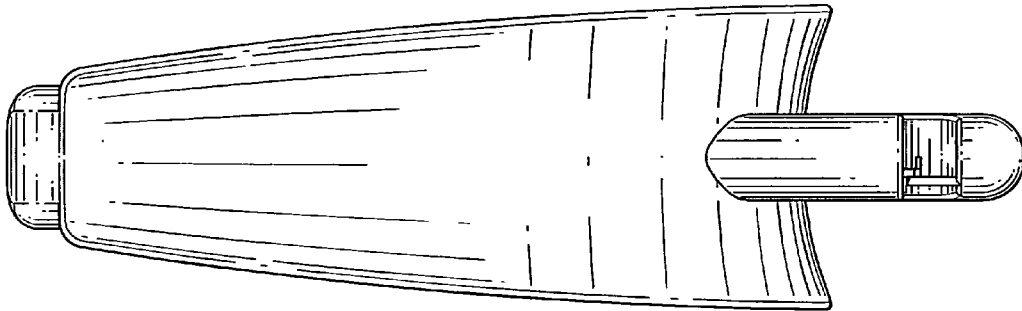


FIG. 6

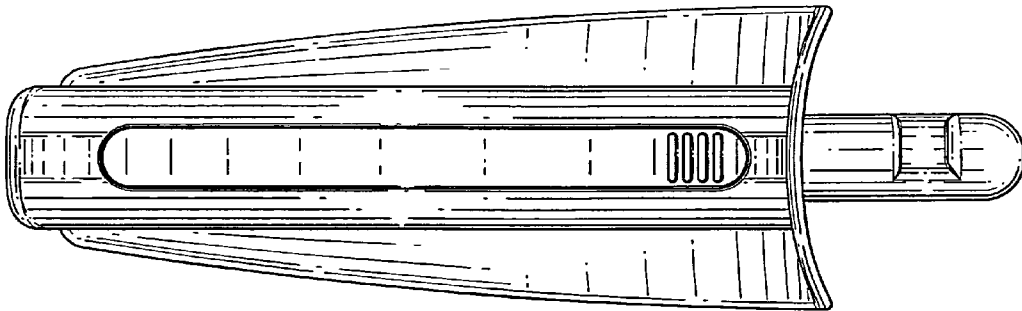


FIG. 7

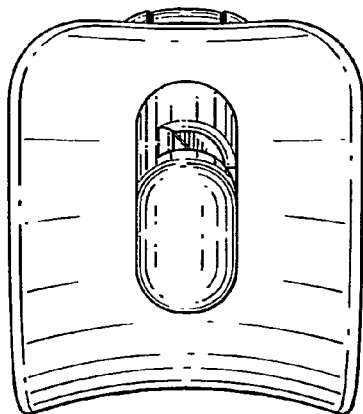


FIG. 8

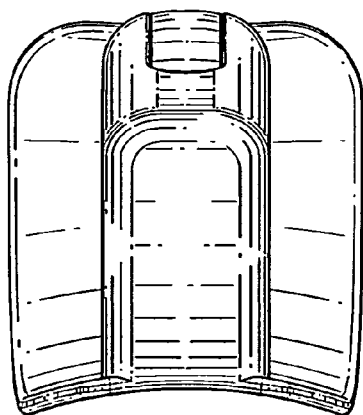


FIG. 9

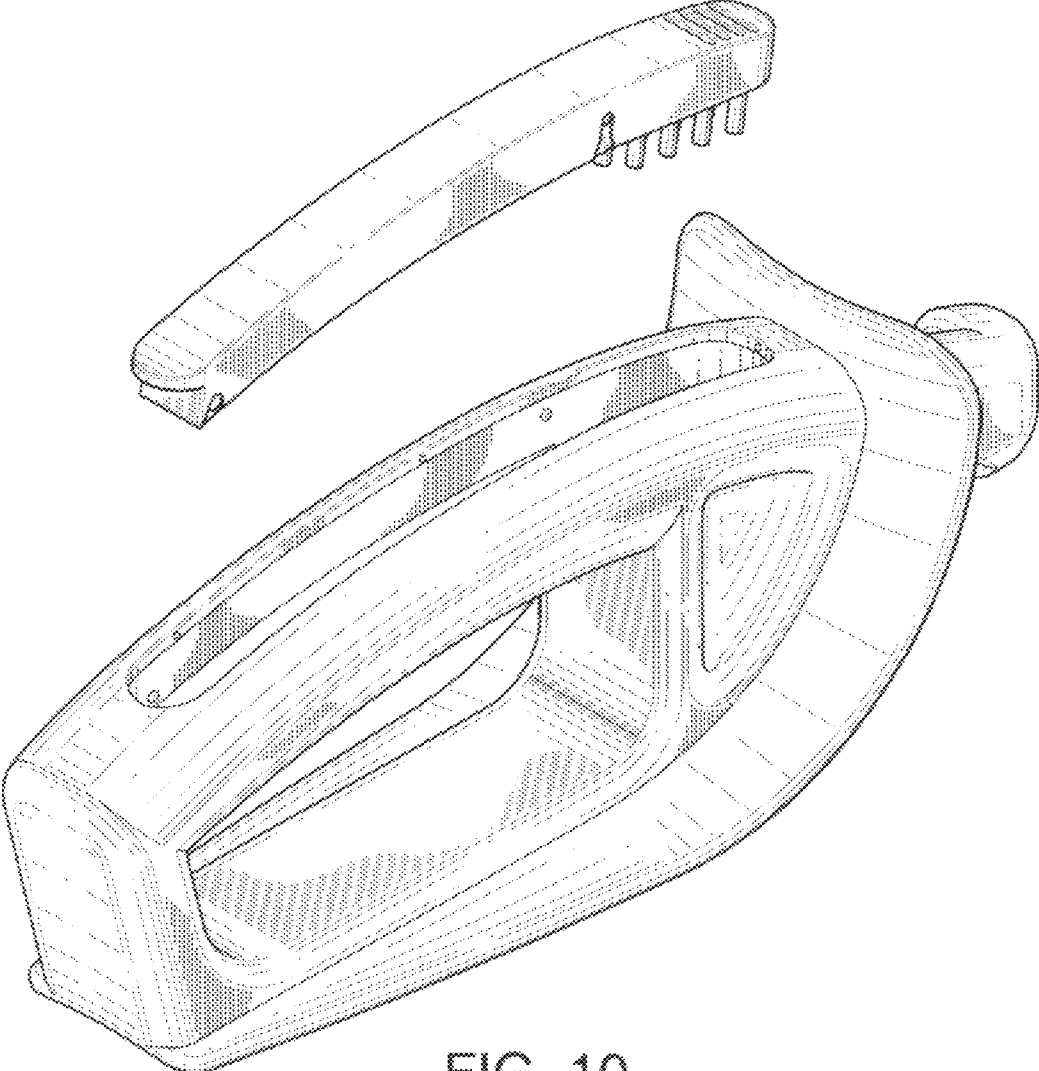


FIG. 10

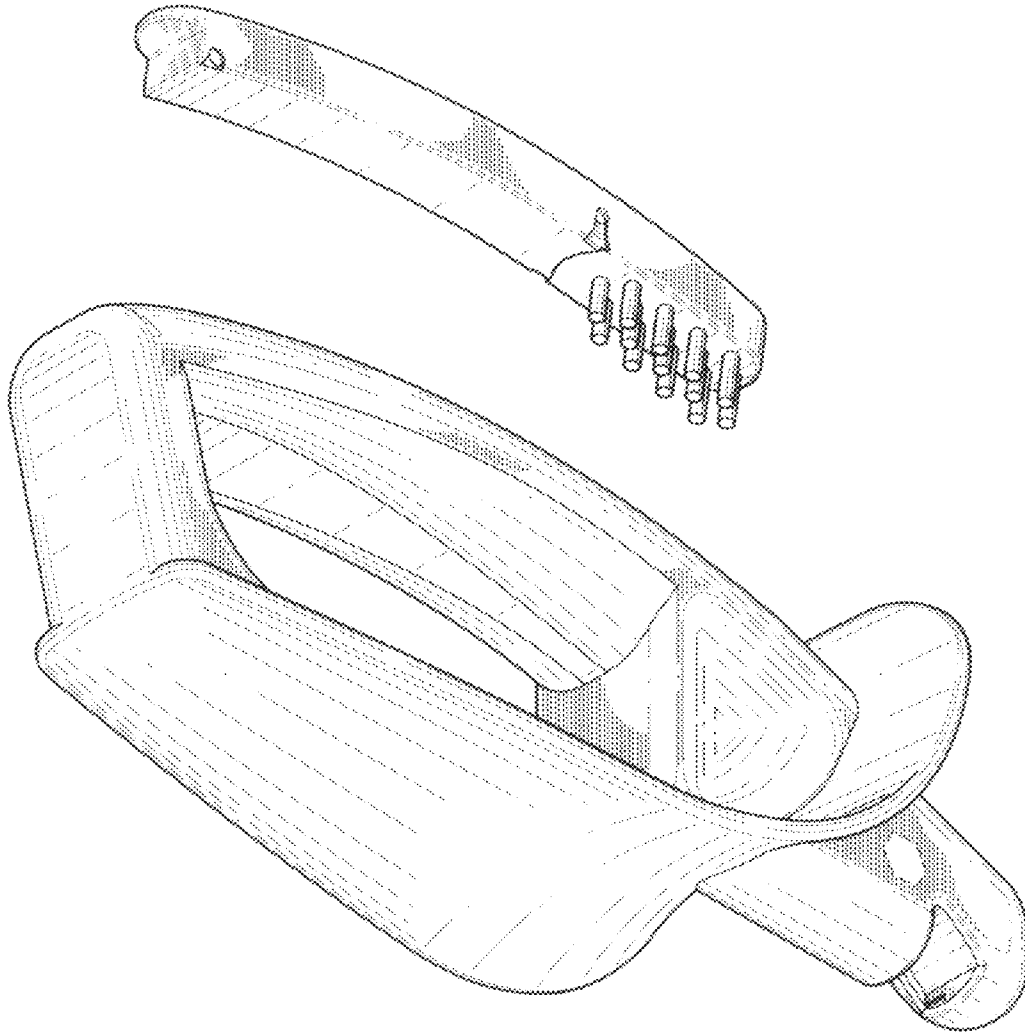


FIG. 11

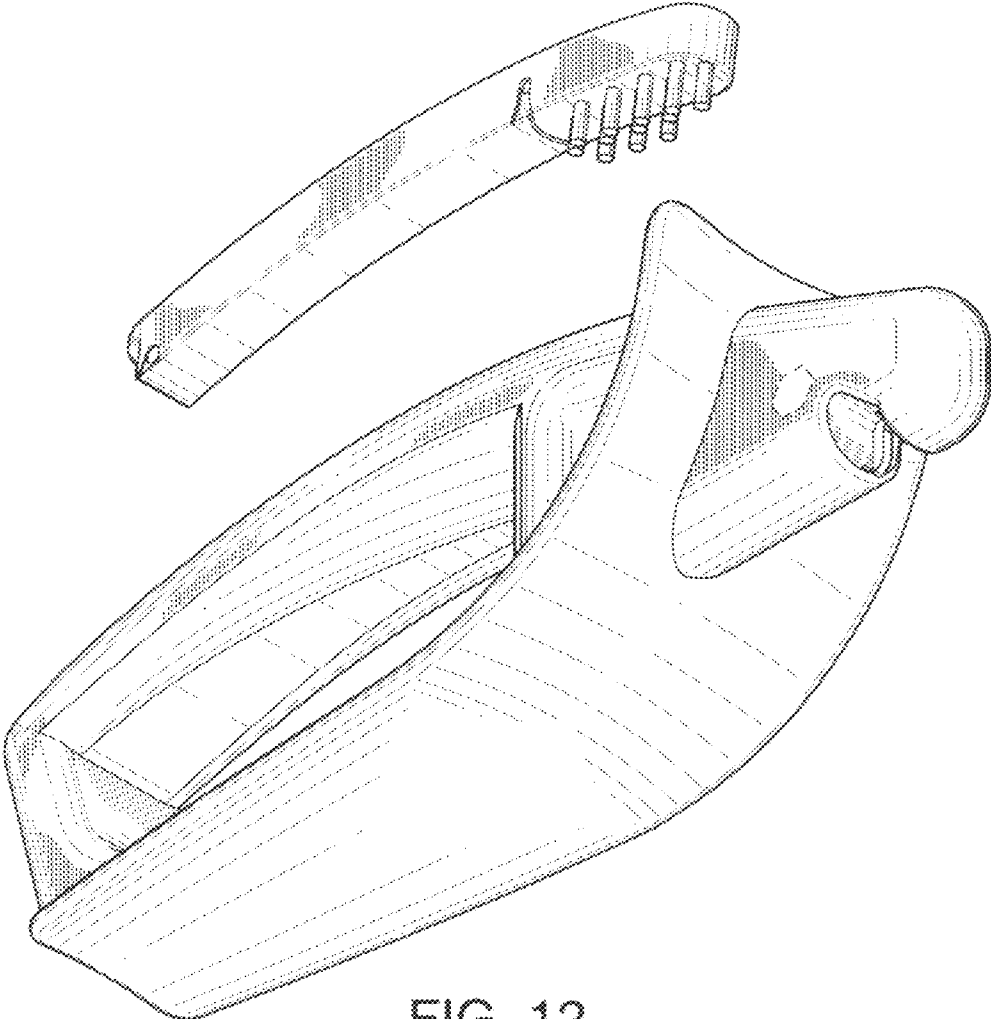


FIG. 12

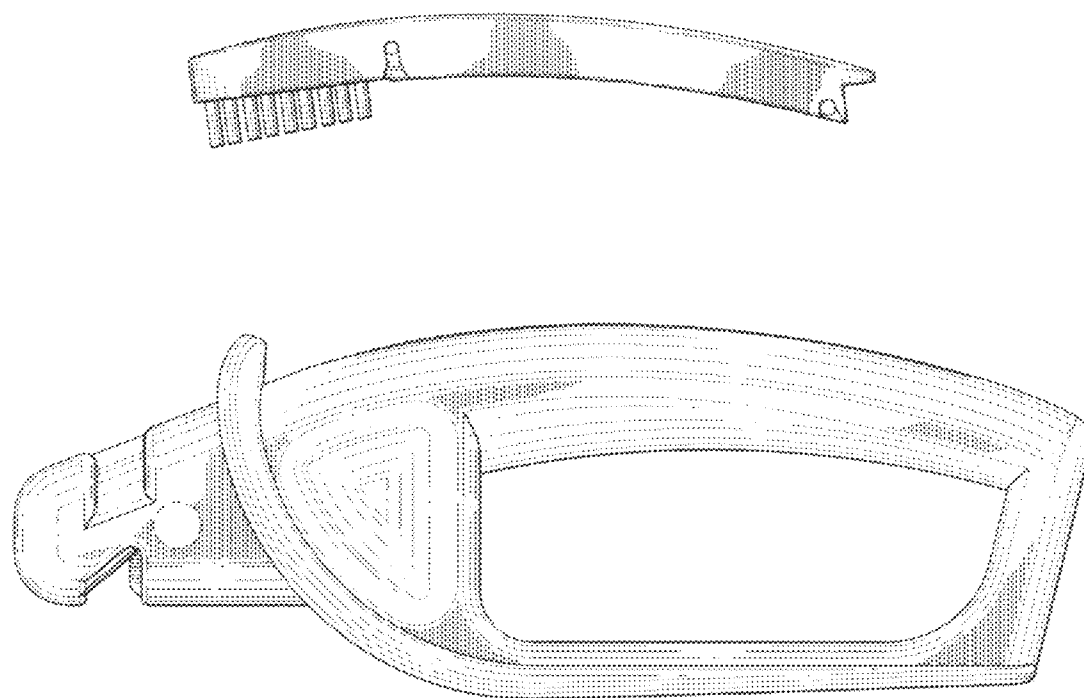


FIG. 13