



US0D1065965S

(12) **United States Design Patent**
Weinberg

(10) **Patent No.:** **US D1,065,965 S**

(45) **Date of Patent:** **** Mar. 11, 2025**

(54) **VICE JAW**

D897,194 S * 9/2020 Poppe D8/394

D909,193 S * 2/2021 Canavaro A47G 5/00

D8/394

D946,992 S * 3/2022 Ye D8/74

* cited by examiner

(71) Applicant: **BESSEY Tool GmbH & Co. KG**,
Bietigheim-Bissingen (DE)

(72) Inventor: **Andreas Weinberg**, Filderstadt (DE)

Primary Examiner — David G Muller

(73) Assignee: **BESSEY Tool GmbH & Co. KG**,
Bietigheim-Bissingen (DE)

(74) *Attorney, Agent, or Firm* — Lipsitz & McAllister,
LLC

(**) Term: **15 Years**

(57) **CLAIM**

(21) Appl. No.: **29/868,636**

The ornamental design for a vice jaw as shown and described.

(22) Filed: **Dec. 9, 2022**

DESCRIPTION

(30) **Foreign Application Priority Data**

Jun. 17, 2022 (WO) WIPO119023

(51) **LOC (15) Cl.** **08-05**

(52) **U.S. Cl.**
USPC **D8/74**

(58) **Field of Classification Search**

USPC D8/71-74, 394-399, 59

CPC B25B 1/00; B25B 5/00

See application file for complete search history.

FIG. 1 is a top, rear and right side perspective view of a vice jaw showing the new design;

FIG. 2 is a top, front and right side perspective view thereof;

FIG. 3 is a top plan view thereof;

FIG. 4 is a left side elevational view thereof;

FIG. 5 is a bottom plan thereof;

FIG. 6 is a right side elevational view thereof;

FIG. 7 is a rear elevational view thereof;

FIG. 8 is a front elevational view thereof;

FIG. 9 is a top, front and right side perspective view thereof, the broken lines indicating a possible environment only and forming no part of the claimed design; and,

FIG. 10 is a left side elevational view thereof, the broken lines indicating a possible environment only and forming no part of the claimed design.

The broken line showing of various elements of the vice jaw in FIGS. 2, 5, 8, 9 and 10 forms no part of the claimed design.

(56) **References Cited**

U.S. PATENT DOCUMENTS

D269,153 S * 5/1983 Whitbread D8/394

D280,974 S * 10/1985 Ruetsch D8/382

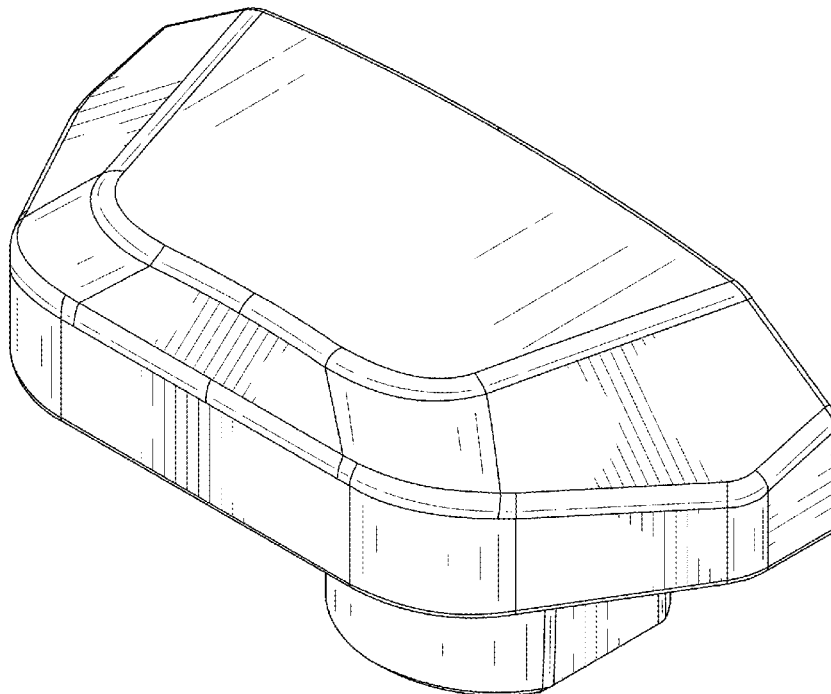
D331,180 S * 11/1992 Sorensen D8/72

D356,721 S * 3/1995 Tessman D8/72

D365,263 S * 12/1995 Sorensen D8/74

D595,569 S * 7/2009 Darling, III D8/396

1 Claim, 10 Drawing Sheets



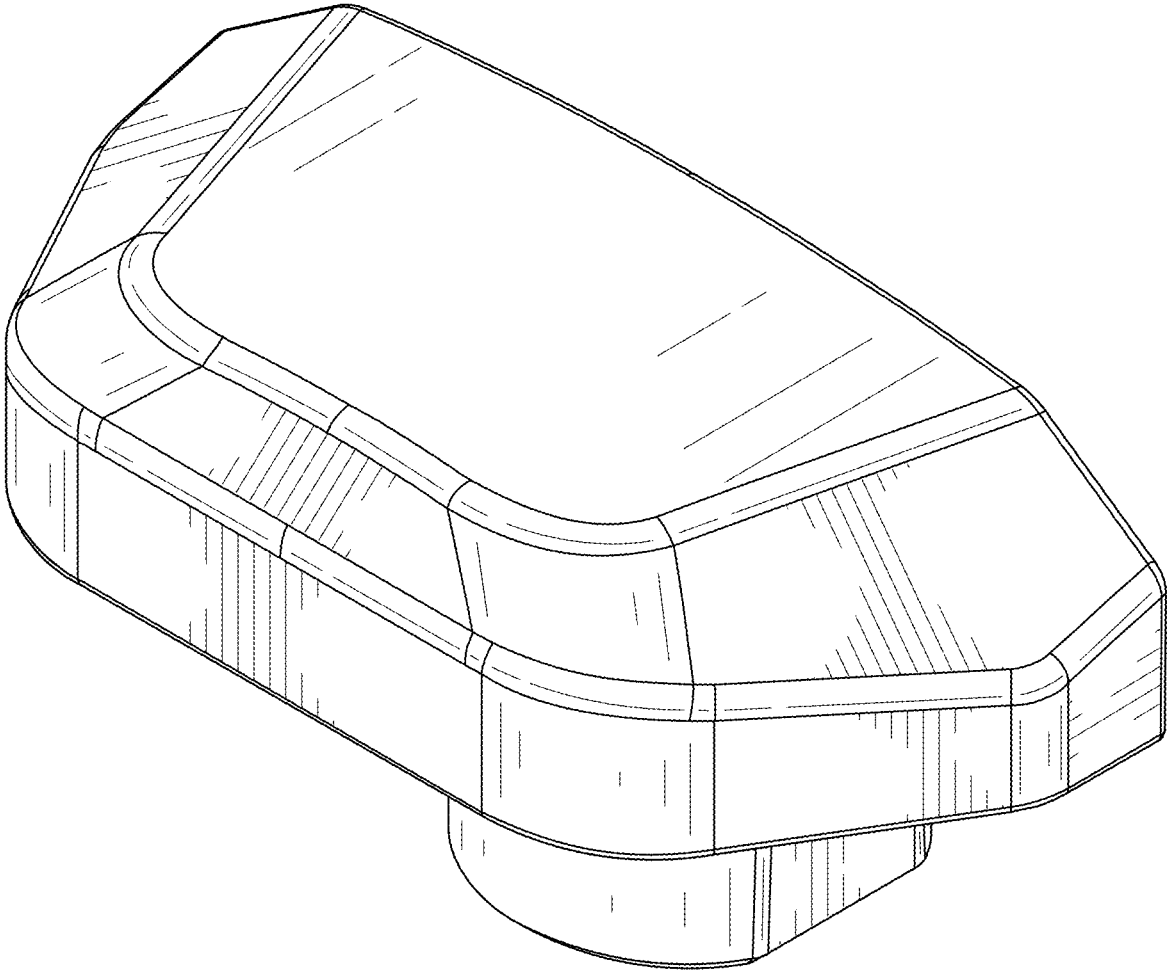


FIG. 1

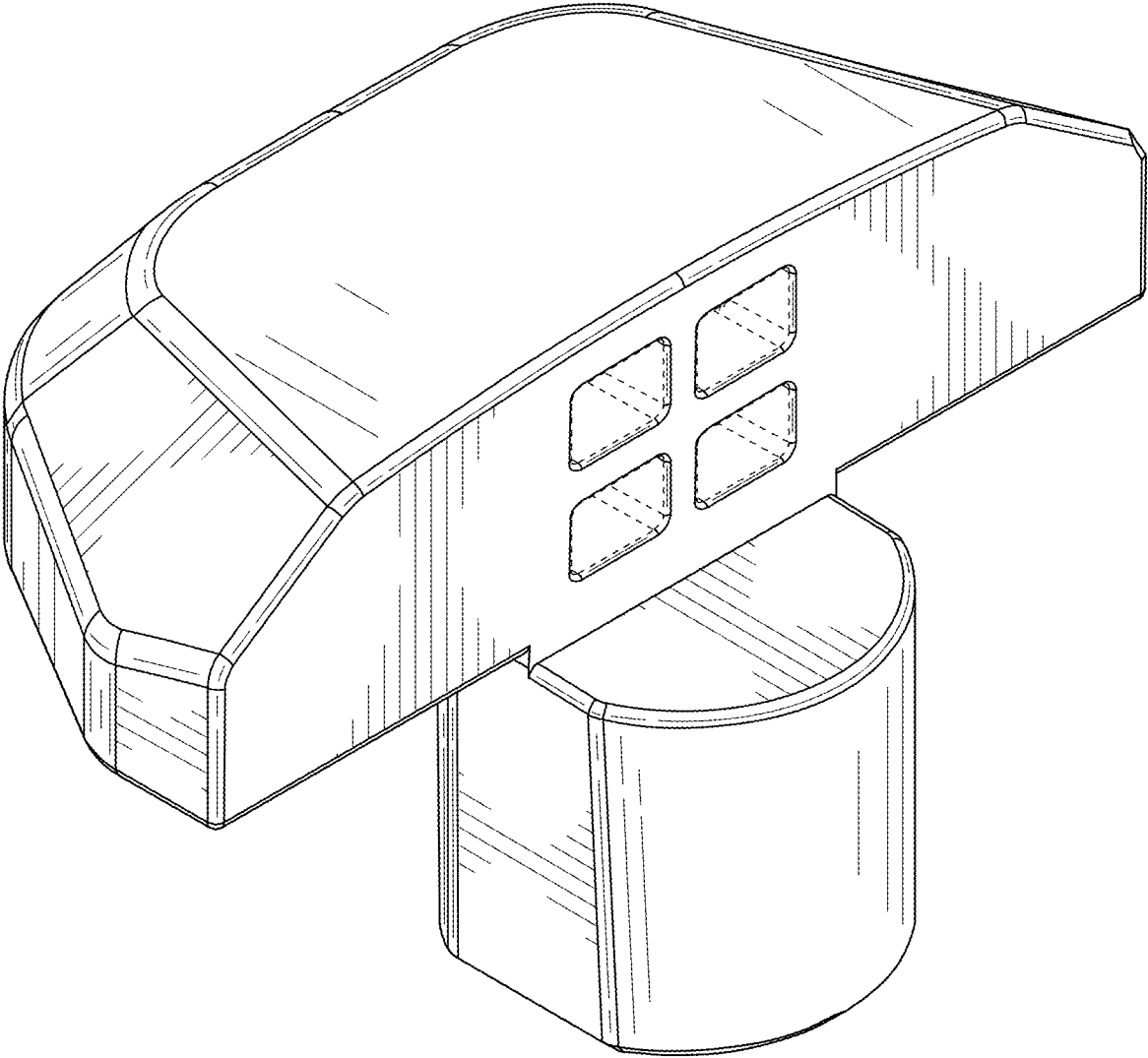


FIG. 2

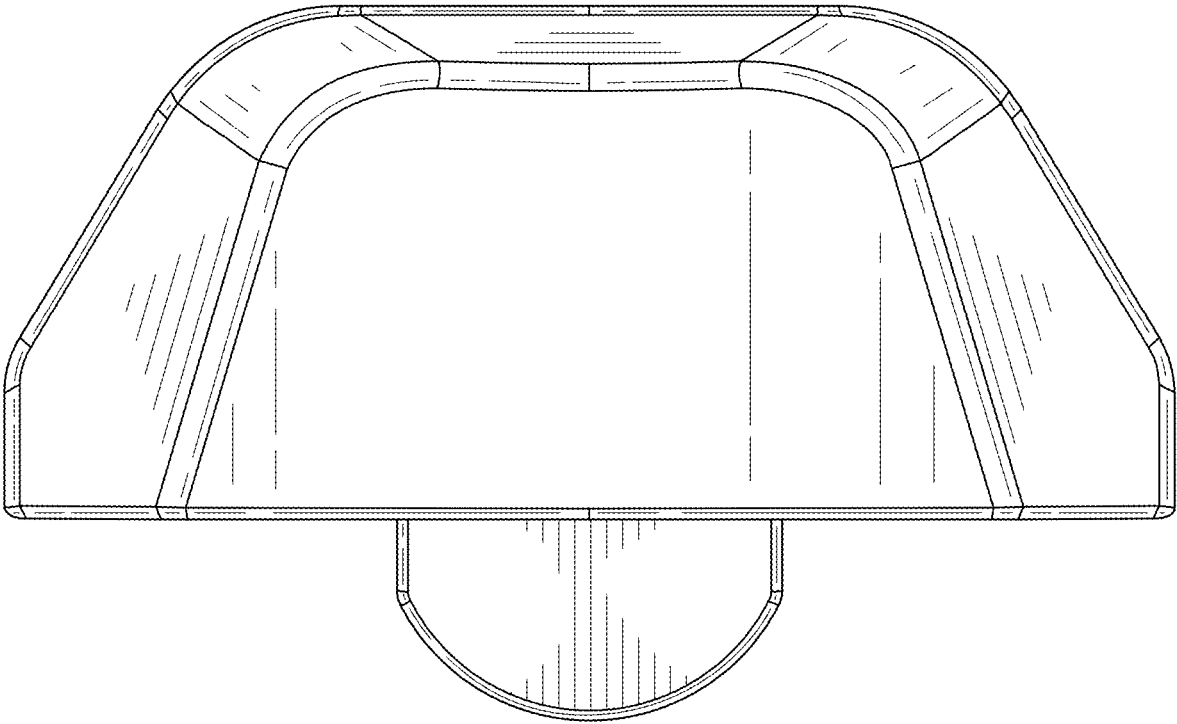


FIG. 3

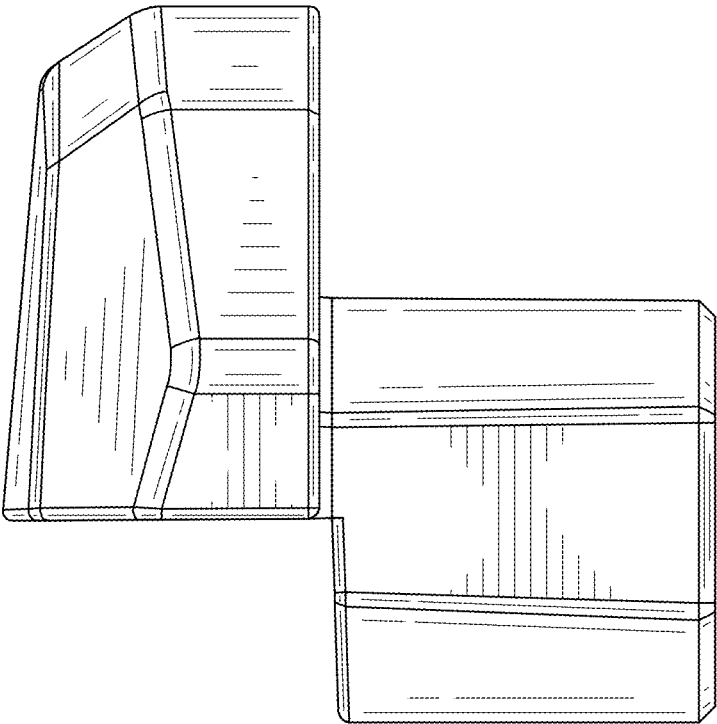


FIG. 4

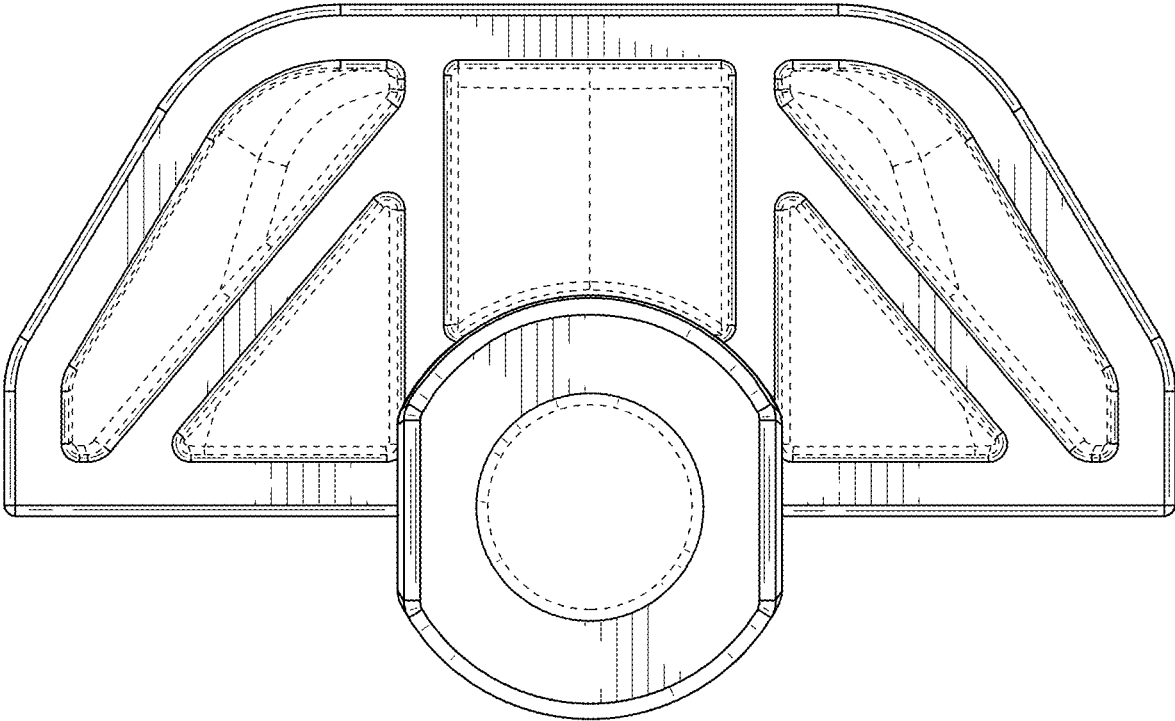


FIG. 5

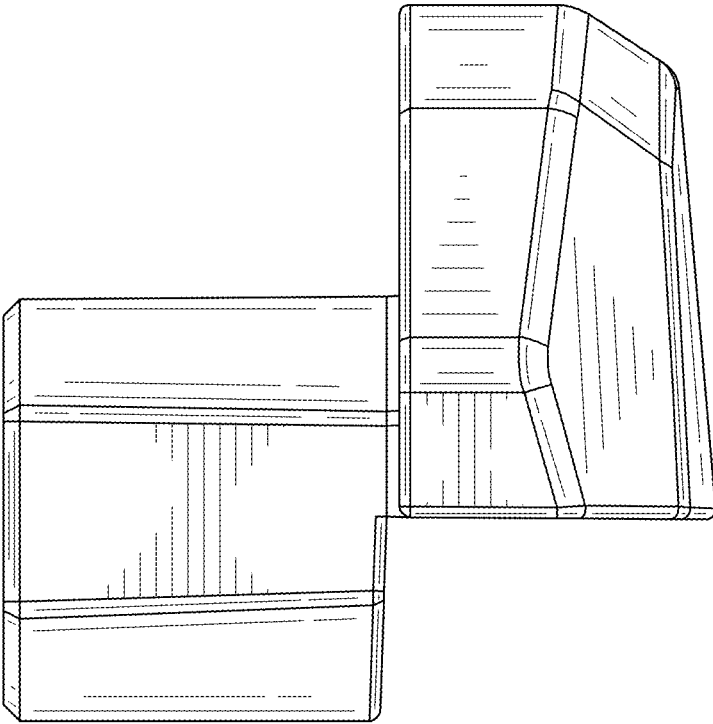


FIG. 6

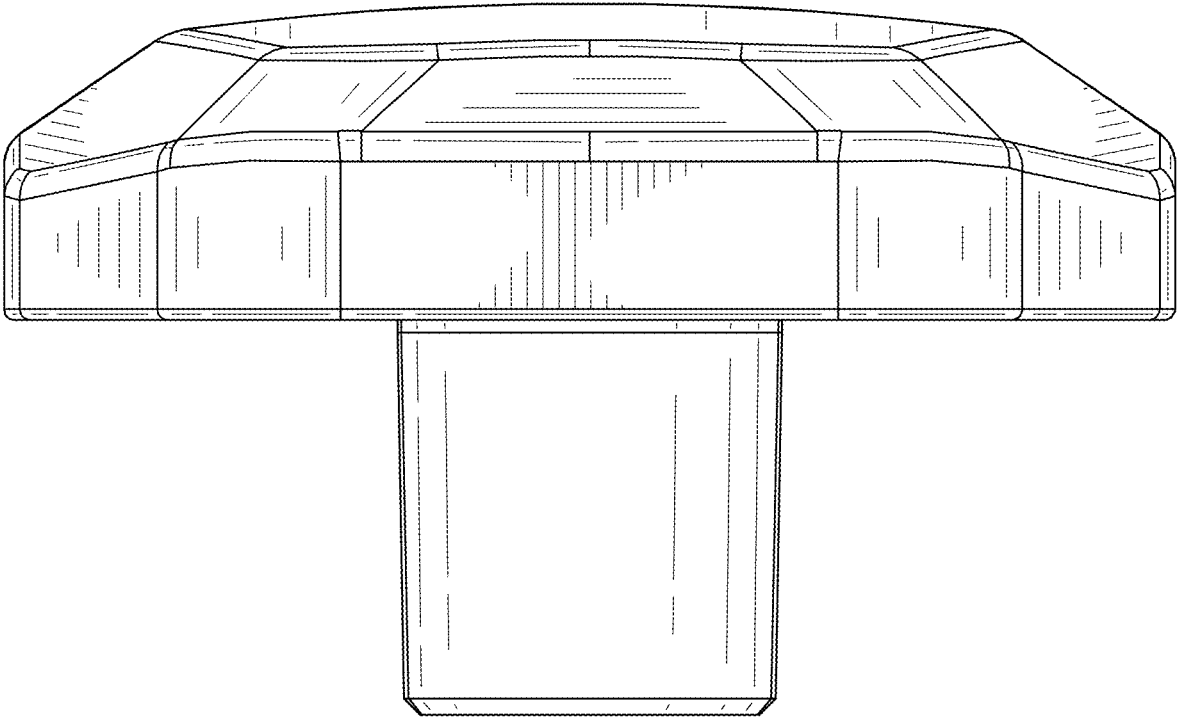


FIG. 7

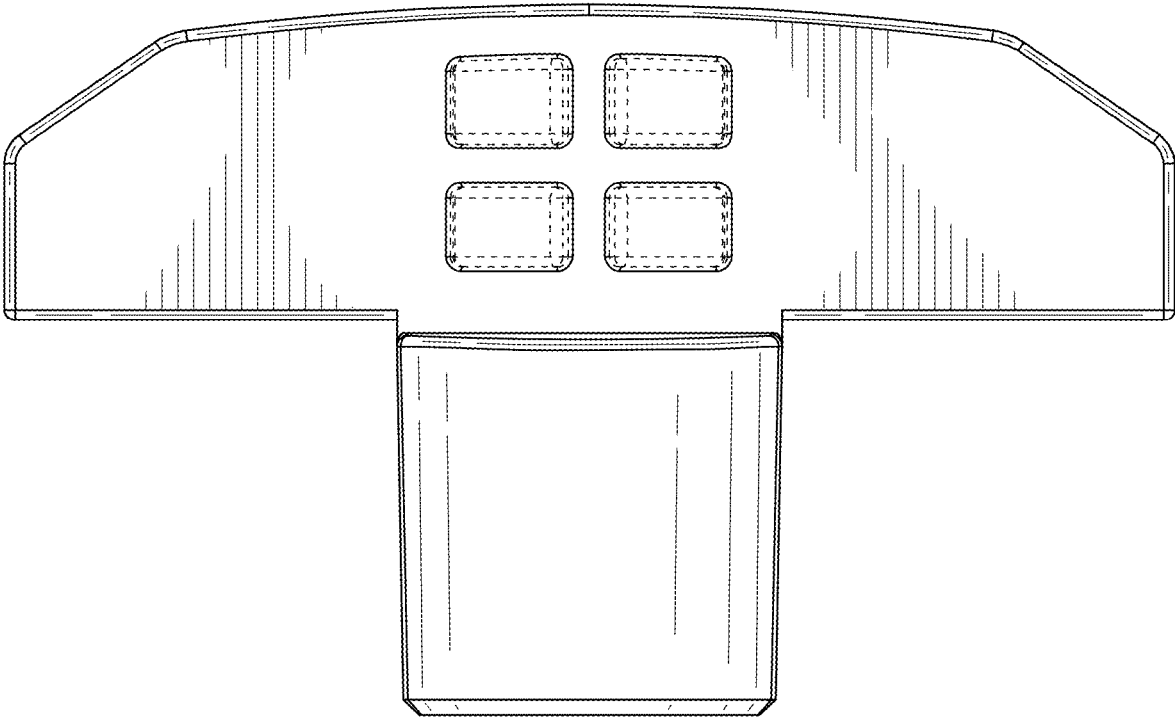


FIG. 8

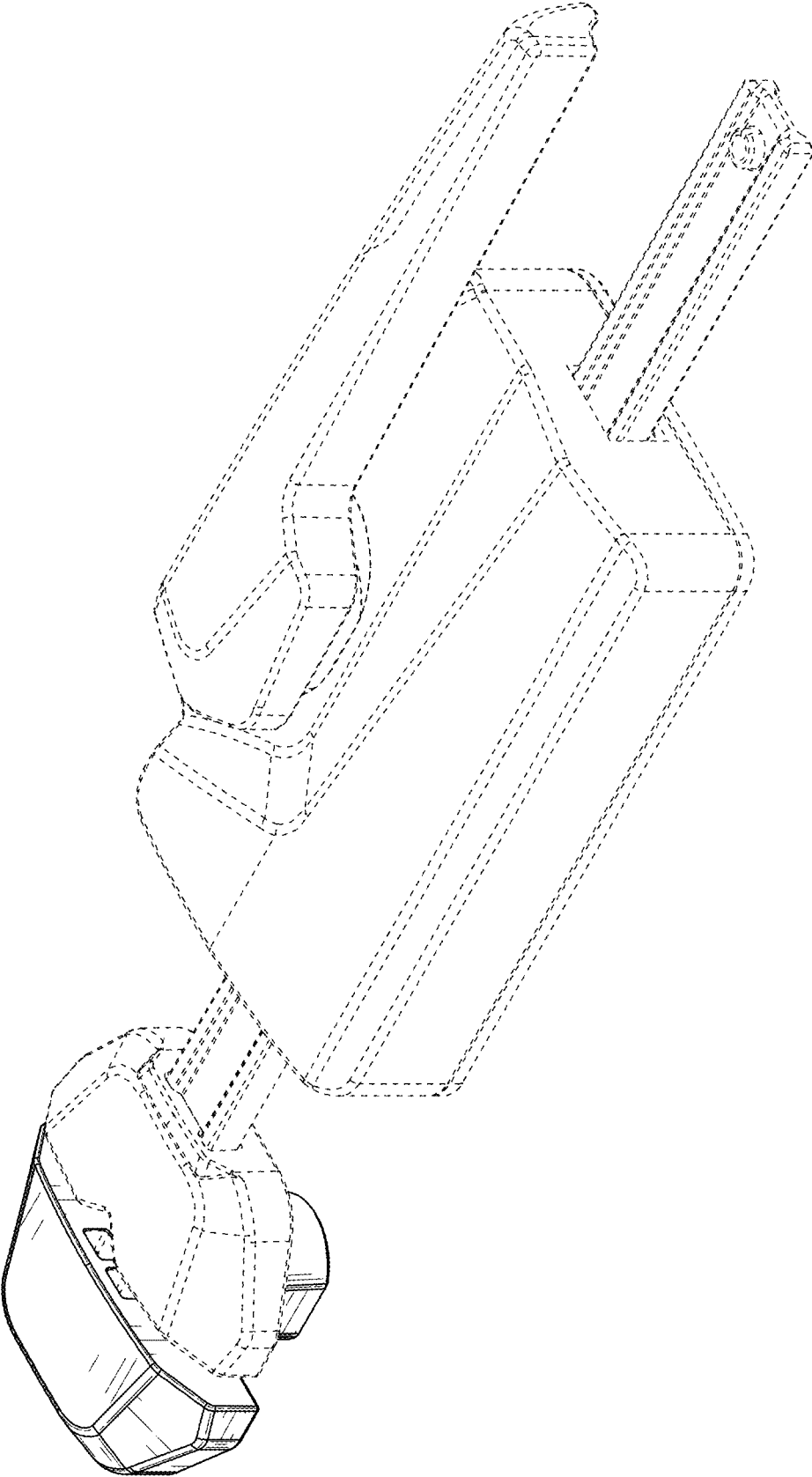


FIG. 9

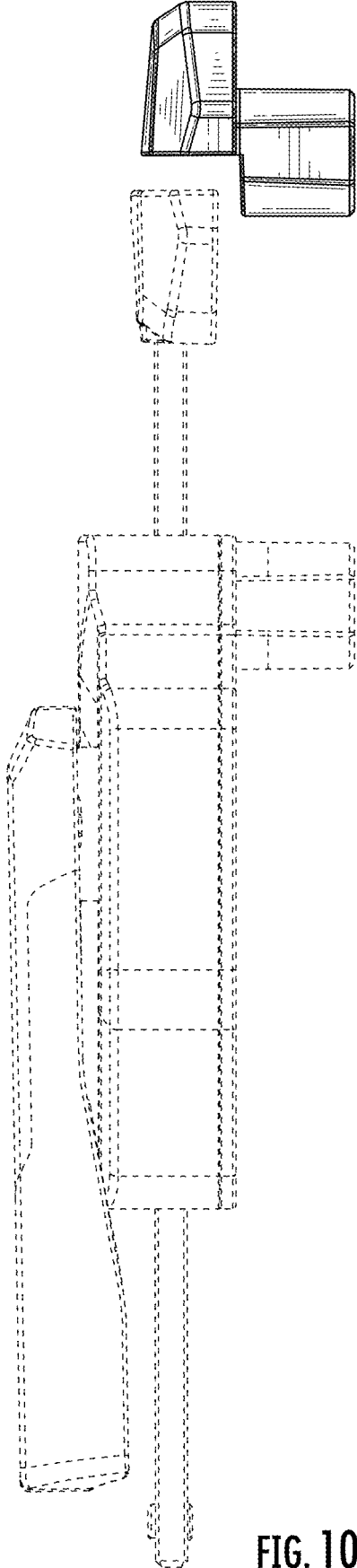


FIG. 10