



(22) Date de dépôt/Filing Date: 2002/07/08

(41) Mise à la disp. pub./Open to Public Insp.: 2004/01/08

(45) Date de délivrance/Issue Date: 2011/07/05

(51) Cl.Int./Int.Cl. *F16L 47/08* (2006.01),  
*F16L 25/14* (2006.01)

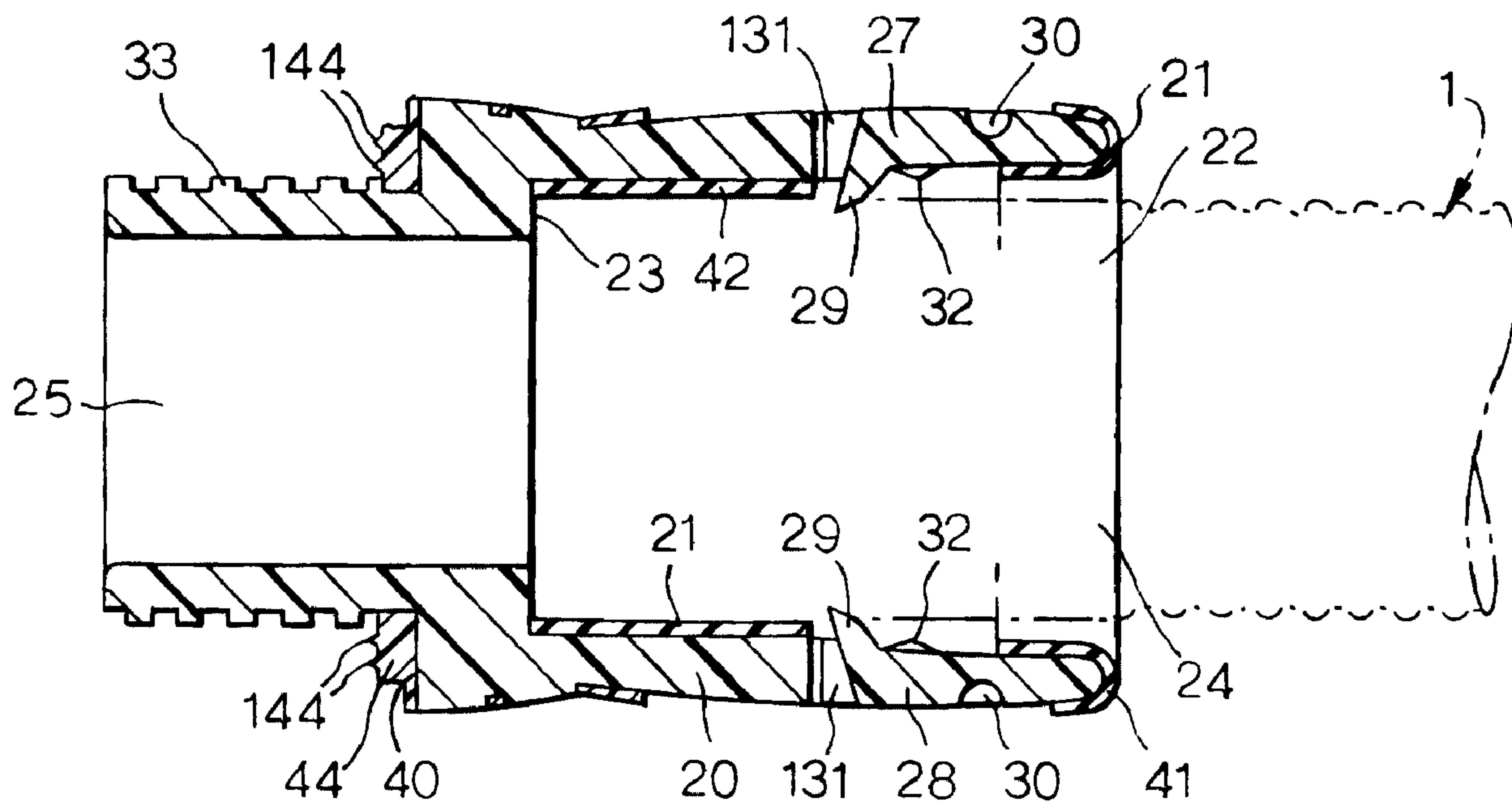
(72) Inventeur/Inventor:  
YOUSSEFIFAR, FATOLLAH, GB

(73) Propriétaire/Owner:  
CABLE MANAGEMENT PRODUCTS LIMITED, GB

(74) Agent: FETHERSTONHAUGH & CO.

(54) Titre : RACCORD DE TUYAU

(54) Title: PIPE COUPLING



(57) Abrégé/Abstract:

Known couplings for corrugated conduits have a housing moulded of a rigid plastics material with two spring catches on opposite sides to engage between corrugations on the conduit. In the present invention a continuous layer of a softer, elastomeric material is moulded on top of the rigid material extending on both the outside and inside of the housing. On the inside, the softer material extends on a tapering surface to seal with the end of the conduit. On the outside, the layer of softer material forms both a flange on an annular ledge to seal with a cooperating coupling and manual gripping regions.

**ABSTRACT OF THE DISCLOSURE**

Known couplings for corrugated conduits have a housing moulded of a rigid plastics material with two spring catches on opposite sides to engage between corrugations on the conduit. In the present invention a continuous layer of a softer, elastomeric material is moulded on top of the rigid material extending on both the outside and inside of the housing. On the inside, the softer material extends on a tapering surface to seal with the end of the conduit. On the outside, the layer of softer material forms both a flange on an annular ledge to seal with a cooperating coupling and manual gripping regions.

29013-10

1

## PIPE COUPLING

### Background of the Invention

This invention relates to pipe couplings and assemblies.

5 Connection to a corrugated pipe or conduit can be made by means of a coupling in which the end of the pipe is inserted, the coupling having a retaining member in the form of a resilient tooth that engages between corrugations to prevent the pipe and coupling being pulled apart after assembly. The coupling may have a tapering bore forming a close fit with the outside of the pipe so as to seal the pipe with the coupling. Couplings of this kind are described,  
10 for example, in US5094482, US5041256, GB2225550, US5150930 and US4923227 and are sold by Adaptaflex Limited of Coleshill, Birmingham, UK. Although the seal provided by these couplings is satisfactory in many situations, there are some applications where a more effective seal is needed.

### Brief Summary of the Invention

15 Some embodiments of the present invention provide an alternative pipe coupling and assembly.

According to one aspect of the present invention there is provided a coupling for a pipe, the coupling comprising: a housing of a relatively rigid plastics material, said housing having a bore therein; a retainer for retaining said pipe  
20 within said housing; and a layer of a material that is relatively deformable compared to the substantially rigid plastics material of the housing, moulded onto at least a part of both an inner and outer surface of said housing, wherein said layer on said inner surface is adapted to form a seal with an outside of said pipe, and said layer extends continuously from the inner surface over the entrance  
25 portion of said bore to said outer surface.

In some embodiments, the layer on the inner surface is adapted to form a seal with the outside of the pipe and may provide a tapering surface. In some embodiments, the retaining means is formed integrally with the housing and may include at least one resilient catch member adapted to engage a projection

29013-10

2

on the pipe. The pipe may have a corrugated external surface, the catch member being adapted to engage between the corrugations. The layer on the outer surface may include a part formed on an external ledge of the housing to provide a seal with a cooperating member and, or alternatively, it may include a part that provides a manual gripping region. The layer on the inner and outer surfaces is preferably continuous with one another. The deformable material may be an elastomeric material.

According to another aspect of the present invention there is provided an assembly of a corrugated pipe and a coupling according to the above one aspect of the invention.

According to a further aspect of the present invention, there is provided a coupling for connecting one end of a corrugated pipe to a cooperating member, said coupling comprising: a rigid housing of tubular shape having two spring catches on opposite sides adapted to engage between corrugations on an outside of said pipe inserted within the coupling; and a continuous layer of a deformable material bonded with both an inside and outside of said housing to form an internal, tapering sealing surface adapted to seal with an outside of said pipe, an external annular sealing member, adapted to seal with the cooperating member, and an external gripping region.

According to a further aspect of the present invention, there is provided an assembly of a corrugated pipe and a coupling, the coupling comprising: a housing of a relatively rigid plastics material, said housing having a bore therein; retaining means for retaining said pipe with said housing; and a continuous layer of a material that is relatively deformable compared to the substantially rigid plastics material of the housing, moulded onto at least a part of both an inner and outer surface of said housing, wherein said layer on said inner surface forms a seal with an outside surface of said pipe in said bore, and the layer on said outer surface is adapted to seal with a cooperating member, and to provide an external gripping region.

29013-10

2a

According to a further aspect of the present invention there is provided a method of forming a coupling comprising the steps of injecting a first material of a relatively hard plastics material to form a housing of said coupling with an integral retainer; and subsequently injecting a second, softer material to  
5 form a continuous layer on said harder material both on an inside and outside of said housing.

According to another aspect of the present invention there is provided a coupling made by a method according to the above further aspect of the present invention.

A coupling, an assembly of the coupling on a conduit and a method of forming the coupling according to the present invention, will now be described, by way of example, with reference to the accompanying drawings.

#### Brief Description of the Drawings

Figure 1 is a side elevation view of the assembly of coupling and conduit;

Figure 2 is a sectional side elevation view of the coupling; and

Figure 3 is a perspective, cut-away view showing the inside of the coupling.

#### Detailed Description of the Preferred Embodiment

The assembly comprises a conduit 1 and a coupling 2 fitted on the forward, left-hand end 10 of the conduit.

The conduit 1 is entirely conventional and is of a rigid but bendable plastics material with a circular section and has corrugations 11 on its external and internal surfaces. The left-hand end 10 of the conduit 1 is cut square.

The coupling 2 comprises two parts joined with one another, namely a body or housing 20 and a layer 21. The housing 20 is similar to previous housings, being a single-piece moulding of a rigid plastics material of substantially tubular shape. The housing 20 has a bore 22 extending axially along its length and divided by a shoulder 23 into two portions, namely an entrance portion 24 and an exit portion 25. The rear entrance portion 24 at the

right-hand end of the housing 20 receives the end of the conduit 1 and tapers slightly along its length. The forward, exit portion 25 has a reduced constant diameter. Towards its right-hand end, the housing 20 is formed with retaining means in the form of two retaining or locking arms or catches 27 and 28 each having an inwardly-extending tooth 29 at its free, left-hand end extending across the central region of the arms. The coupling could have any number of one or more locking arms. The right-hand end of each arm 27 and 28 is attached integrally with the housing 20 by a hinge portion 30 of reduced thickness, which enables the arms to be flexed resiliently outwardly. Each arm 27 and 28 has two opposite side regions 31, which are formed with a shallow ramp 32 of triangular section just rearwardly of the teeth 29. The purpose of the ramps 32 is to aid removal of the coupling from its mould tool in the manner described in GB 2225550. The side regions 31 project to the left forwardly beyond the teeth 29 a short distance to form stops 131. The purpose of these stops 131 is to engage the outside of the conduit 1 when the arms 27 and 28 are deflected inwardly as a result of a high force applied to pull the conduit out of the coupling 2. The stops 131 limit how far the arms 27 and 28 can be pulled in and, therefore, reduce the risk of damage to the arms. The natural position of the locking arms 27 and 28 is with their teeth 29 projecting slightly into the bore 22, as shown in Figures 2 and 3.

The forward, left-hand end of the housing 20 has an external screw thread 33 by which the coupling 2 can be screwed into a cooperating female coupling (not shown). Instead of a screw thread, the housing could have other forms of fixing formation, such as barbs or spring catches. Externally, the housing 20 has a forwardly-facing face or ledge 40 at the location of the inner shoulder 23.

The layer 21 is of a deformable, resilient thermoplastics material, preferably an elastomer. The layer 21 covers the entire tapered inner surface of the entrance portion 24, the right-hand end face 41 of the housing 20 and other parts of the outer surface of the housing.

That part of the layer 21 on the inside of the housing 20 provides an elastomeric seal 42 with the outside of the conduit 1. The dimensions of the housing 20, angle of taper and thickness of the layer 21 are such that the effective diameter of the bore 22 at the right-hand end is slightly greater than the external diameter of the conduit 1 and, at its left-hand end, is slightly smaller than the external diameter of the conduit. This arrangement is such that the end 10 of the conduit 1 can be pushed into the entrance portion 24 of the bore 22 but is prevented by contact with the tapering surface from contacting the shoulder 23. In this way, the seal 42 is compressed slightly into a tight sealing contact with the outside of the conduit 1 at its forward end 10.

An outer region 43 on one side of the housing 20 towards its left-hand end is covered by the layer 21 and is of a generally tulip shape. There is a corresponding region on the opposite side of the housing. These parts of the layer 21 provide manual gripping regions 43 to enable the coupling 2 to be held more securely by the hand. The layer 21 also provides an annular flange 44 on the external ledge 40, which has two concentric sealing ribs 144. The flange 44 and tulip-shape area 43 are continuous with one another via a stem portion 45. The flange 44 provides a washer or seal with the end of a cooperating coupling (not shown) screwed onto the threaded portion 33. Alternatively, the flange 44 may seal against the face of a panel around an opening through which the coupling extends. This flange portion 44 can be omitted or provided by a separate component.

Preferably, the layer 21 is formed using a two-shot injection moulding process so that the seal is formed by the same machine that moulds the housing 20. The housing 20 is moulded on one core pin, which is then removed and a smaller diameter core pin is used to mould the internal elastomeric layer, between the outside of the second core pin and the inside of the housing. The elastomeric material can be injected into the mould from the right-hand end of the housing so that it flows over both the inner surface and over the outer regions 43 and 45 into the flange portion 44, as one continuous layer. It will be appreciated, however, that material to form the inner and outer layers could be injected separately. Because the seal part 42 is moulded into the housing 20, it is securely bonded with it and forms an effective seal with the inside of the housing.

In use, the coupling 2 is provided as a single component. The user simply pushes the forward end 10 of the conduit 1 into the rear end of the housing 20, so that the teeth 29 on the locking arms 27 and 28 ride over corrugations 11 on the conduit. The forward end 10 of the conduit 1 deforms the seal 42 outwardly slightly as it is pushed into the entrance portion 24. Rearward movement of the conduit 1 is prevented by the locking arms 27 and 28, which engage the conduit more tightly as force is applied to separate the conduit and coupling. The conduit 1 holds the material of the seal part 42 compressed between the outside of the conduit and the inside of the housing 20 to provide an effective seal.

This arrangement enables both an effective seal and external gripping regions to be provided without the need for separate components or separate assembly operations.

It will be appreciated that the invention is not limited to use with conduits but could be used on other forms of pipe. Alternative locking means could be used, such as with uncorrugated pipes. The retaining means could be provided by a separate component

29013-10

8

CLAIMS:

1. A coupling for a pipe, the coupling comprising:  
  
a housing of a relatively rigid plastics material, said housing having a bore therein;  
  
5 a retainer for retaining said pipe within said housing; and  
  
a layer of a material that is relatively deformable compared to the substantially rigid plastics material of the housing, moulded onto at least a part of both an inner and outer surface of said housing, wherein said layer on said inner surface is adapted to form a seal with an outside of said pipe, and said layer  
10 extends continuously from the inner surface over the entrance portion of said bore to said outer surface.
2. A coupling according to claim 1, wherein said layer on said inner surface provides a tapering surface.
3. A coupling according to claim 1 or claim 2, wherein said retainer is  
15 formed integrally with said housing.
4. A coupling according to any one of claims 1 to 3, wherein said retainer includes at least one resilient catch member adapted to engage a projection on said pipe.
5. A coupling according to claim 4 in combination with the pipe, the  
20 pipe having a corrugated external surface, and wherein said catch member is adapted to engage between said corrugations.
6. A coupling according to any one of claims 1 to 5, wherein said layer on said outer surface includes a part formed on external ledge of said housing to provide a seal with a cooperating member.
- 25 7. A coupling according to any one of claims 1 to 6, wherein said layer on said outer surface includes a part that provides a manual gripping region.

29013-10

9

8. A coupling according to any one of claims 1 to 7, wherein said deformable material is an elastomeric material.

9. A coupling for connecting one end of a corrugated pipe to a cooperating member, said coupling comprising:

5 a rigid housing of tubular shape having two spring catches on opposite sides adapted to engage between corrugations on an outside of said pipe inserted within the coupling; and

a continuous layer of a deformable material bonded with both an inside and outside of said housing to form an internal, tapering sealing surface  
10 adapted to seal with an outside of said pipe, an external annular sealing member, adapted to seal with the cooperating member, and an external gripping region.

10. An assembly of a corrugated pipe and a coupling, the coupling comprising:

15 a housing of a relatively rigid plastics material, said housing having a bore therein;

retaining means for retaining said pipe with said housing; and

a continuous layer of a material that is relatively deformable compared to the substantially rigid plastics material of the housing, moulded onto at least a part of both an inner and outer surface of said housing, wherein said  
20 layer on said inner surface forms a seal with an outside surface of said pipe in said bore, and the layer on said outer surface is adapted to seal with a cooperating member, and to provide an external gripping region.

11. A method of forming a coupling according to any one of claims 1 to 9, and comprising the steps of:

25 injecting a first material of a relatively hard plastics material to form a housing of said coupling with an integral retainer; and

subsequently injecting a second, softer material to form a continuous layer on said harder material both on an inside and outside of said housing.

Fig.1.

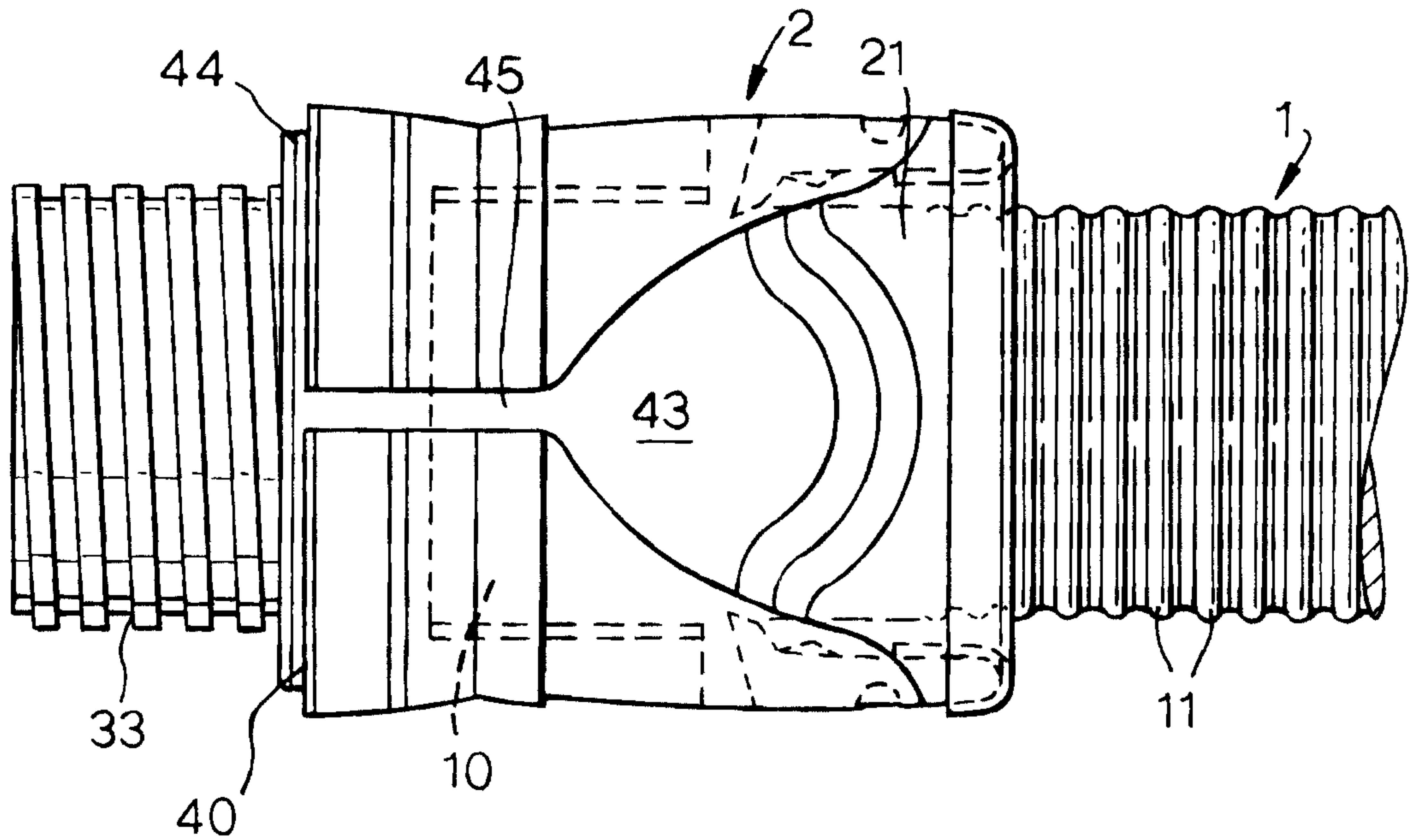
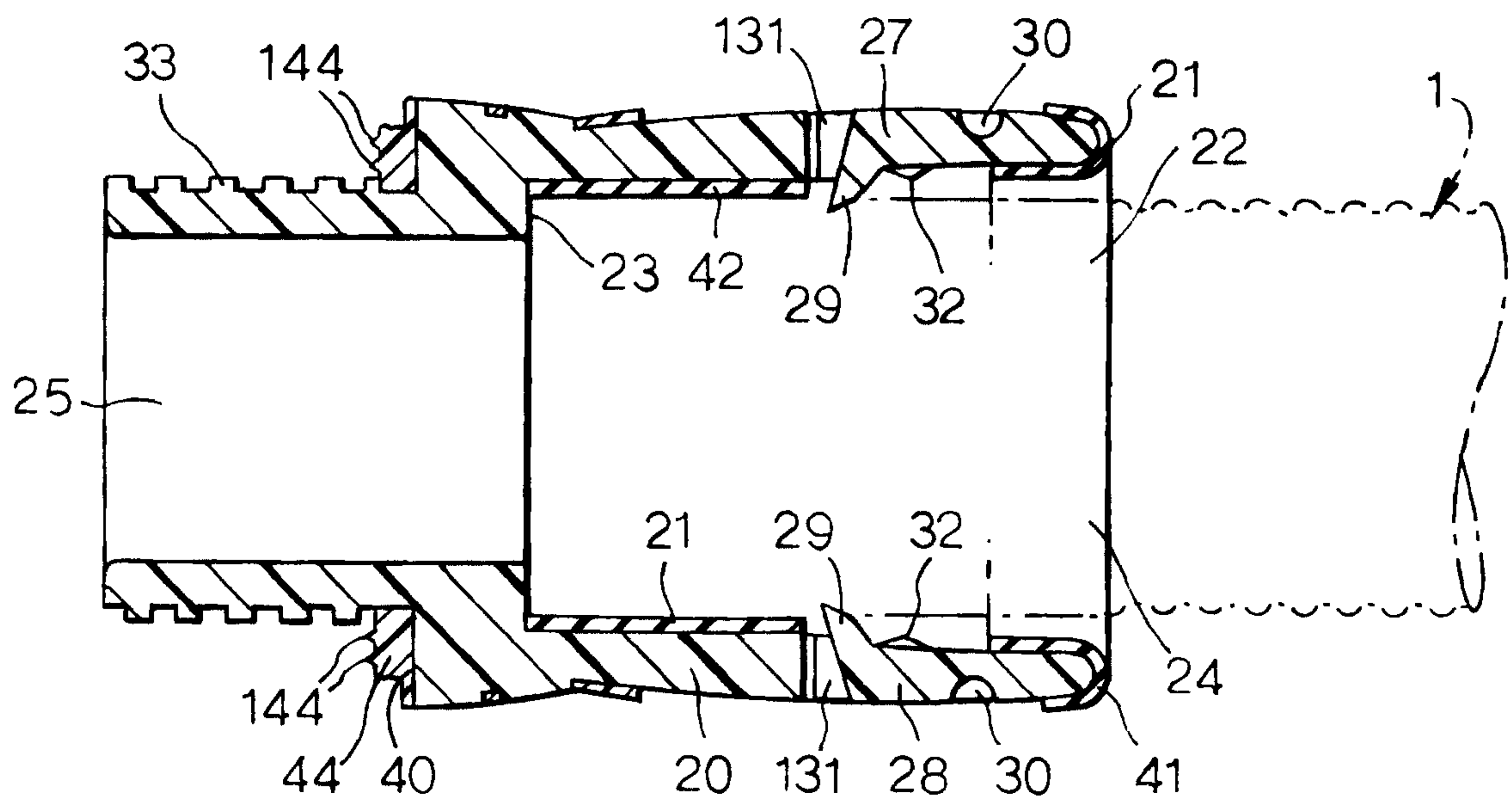


Fig.2.



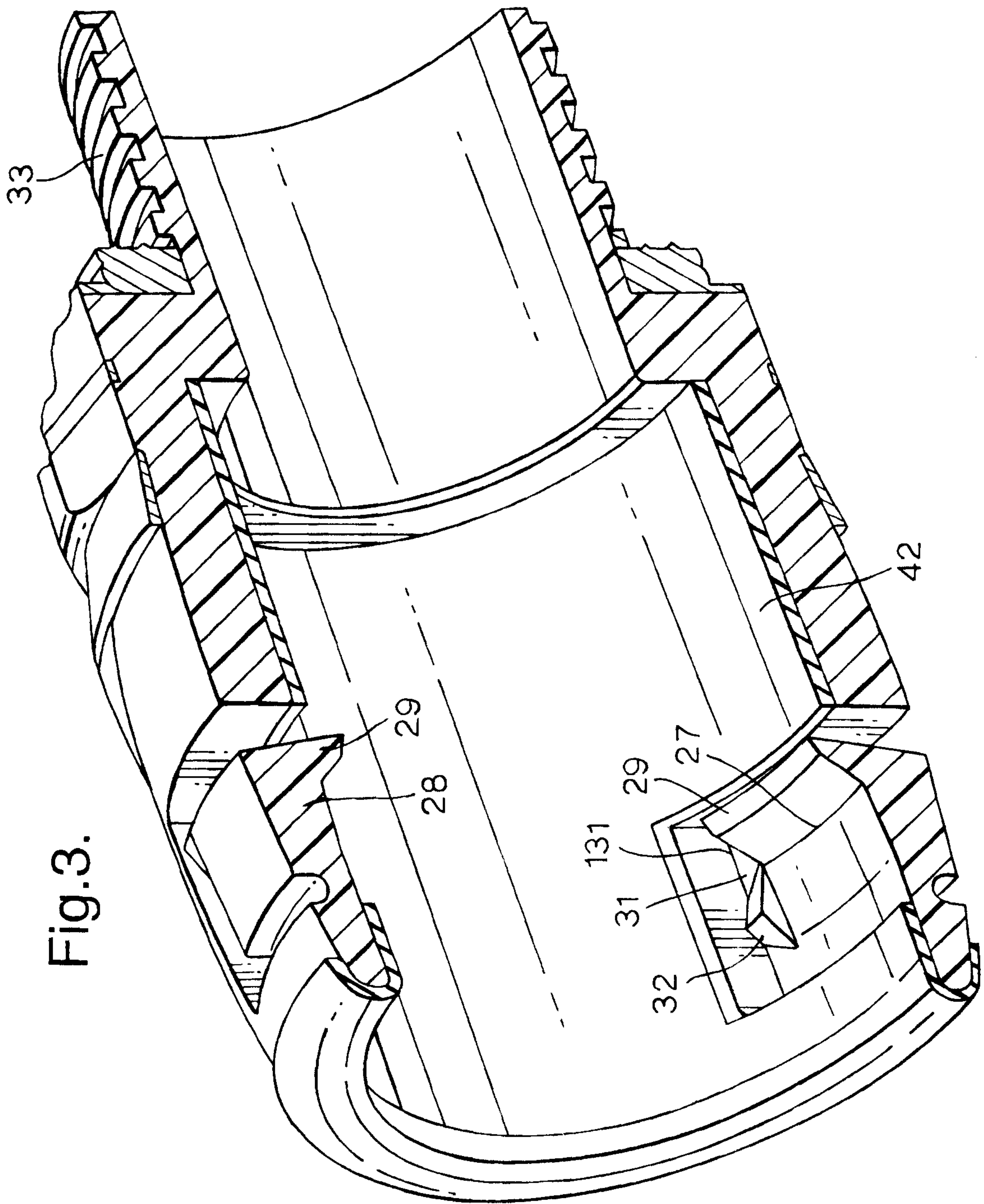


Fig.3.

