



US0D1069237S

(12) **United States Design Patent**
Villarreal et al.

(10) **Patent No.:** **US D1,069,237 S**

(45) **Date of Patent:** **** Apr. 1, 2025**

(54) **STYLING COMB**

FOREIGN PATENT DOCUMENTS

(71) Applicants: **MIREYA VILLARREAL, LLC**,
Streamwood, IL (US); **ASHLEE**
NORMAN HAIR, LLC, Las Vegas,
NV (US)

CN 202330139341.7 * 7/2023
CN 202130815181.4 * 10/2023

(Continued)

(72) Inventors: **Mireya Villarreal**, Streamwood, IL
(US); **Ashlee Norman**, Las Vegas, NV
(US)

OTHER PUBLICATIONS

Pink Pewter/ Ashlee Norman Triple Threat, Published on: Dec. 31,
2023 (online), Retrieved on: Aug. 27, 2024 (online), https://www.amazon.com/Pewter-Ashlee-Norman-Triple-Styling/dp/B0BN48421P/ref=cm_cr_ar_p_d_product_top?ie=UTF8 (Year: 2023).*

(Continued)

(73) Assignees: **MIREYA VILLARREAL, LLC**,
Streamwood, IL (US); **ASHLEE**
NORMAN HAIR, LLC, Las Vegas,
NV (US)

Primary Examiner — Messina L Smith

Assistant Examiner — Elizabeth Borsetti

(74) *Attorney, Agent, or Firm* — Pauley Erickson &
Swanson

(**) Term: **15 Years**

(21) Appl. No.: **29/859,515**

(22) Filed: **Nov. 10, 2022**

(51) **LOC (15) Cl.** **28-03**

(57) **CLAIM**

(52) **U.S. Cl.**
USPC **D28/21**

The ornamental design for a styling comb, as shown and
described.

(58) **Field of Classification Search**
USPC ... D28/9, 10, 21, 22, 24, 25, 26, 28, 29, 30,
D28/31, 34, 35, 37, 38
CPC ... A45D 1/06; A45D 1/00; A45D 1/08; A45D
1/20; A45D 2/00; A45D 2/001; A45D
2/36; A45D 2/367; A45D 2/002; A45D
2001/004; A45D 24/34; A45D 24/30;
A45D 24/04; A45D 24/10; A45D 24/02;
A45D 24/007; A45D 24/00; A45D 24/36;
A45D

(Continued)

DESCRIPTION

FIG. 1 is a perspective view of a styling comb, showing the
new design;
FIG. 2 is a second perspective view of the styling comb of
FIG. 1, from an opposite side;
FIG. 3 is a front elevation view thereof;
FIG. 4 is a rear side elevation view thereof;
FIG. 5 is a left side elevation view thereof;
FIG. 6 is right elevation view thereof;
FIG. 7 is a top plan view thereof; and,
FIG. 8 is a bottom plan view thereof.
The broken lines shown in the drawings depict portions of
the styling comb that form no part of the claimed design. The
half circles shown in the drawings are broken lines that form
no part of the claimed design.

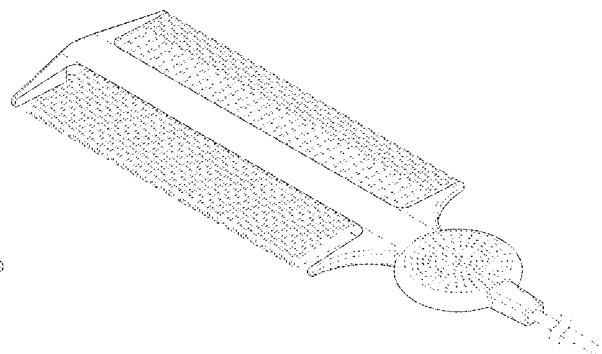
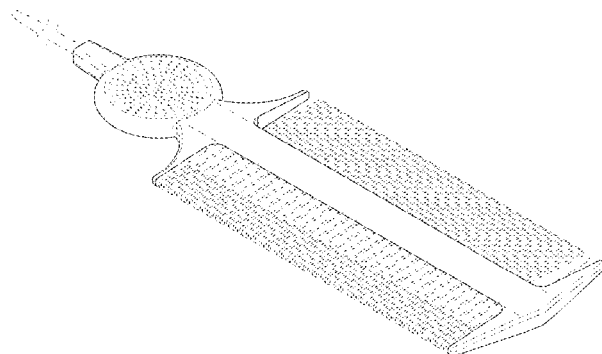
(56) **References Cited**

U.S. PATENT DOCUMENTS

309,668 A * 12/1884 Weightman A01K 13/002
119/613
3,205,903 A * 9/1965 Avanzo A45D 24/36
132/150

(Continued)

1 Claim, 6 Drawing Sheets



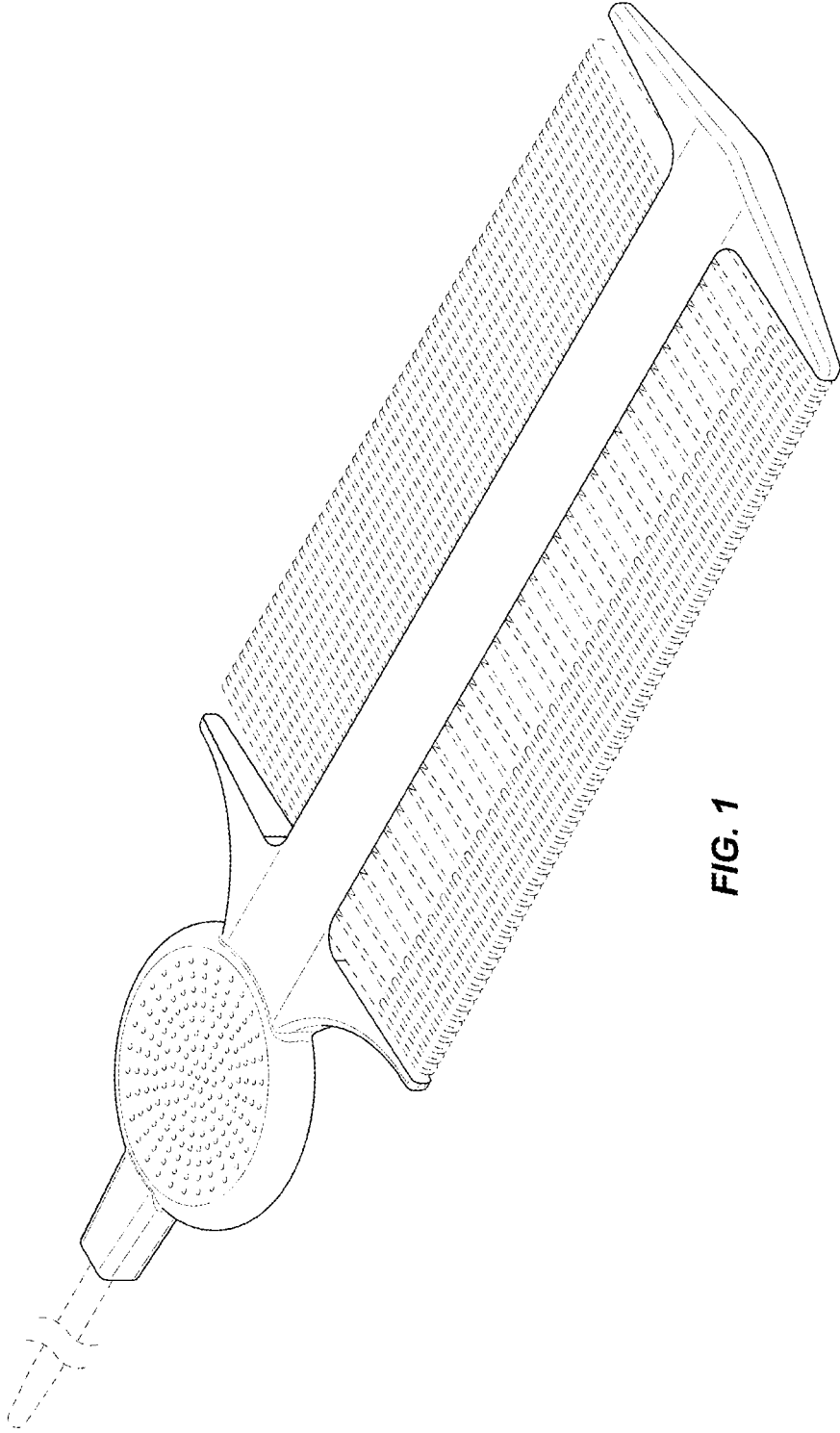


FIG. 1

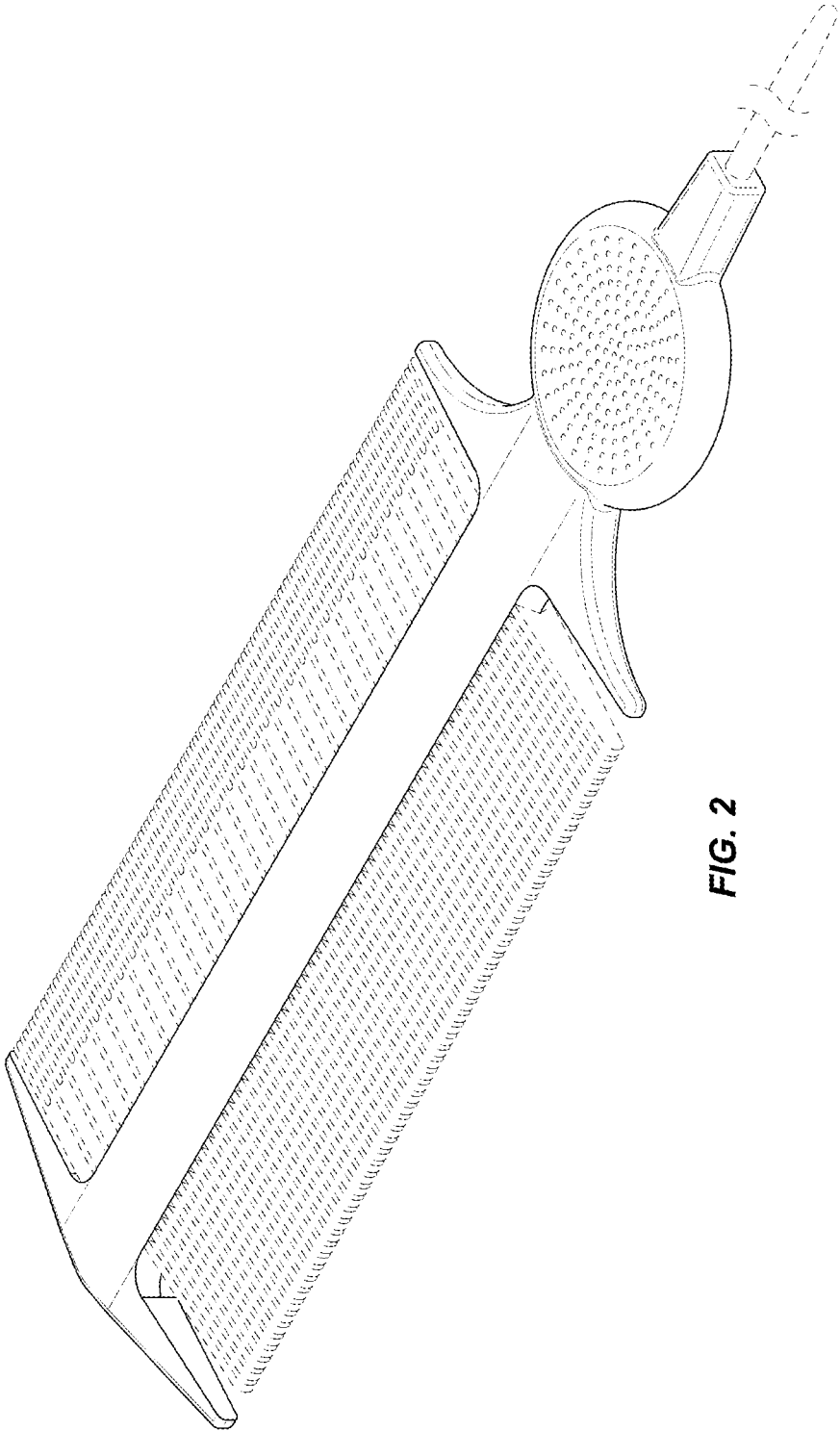


FIG. 2



FIG. 3



FIG. 4

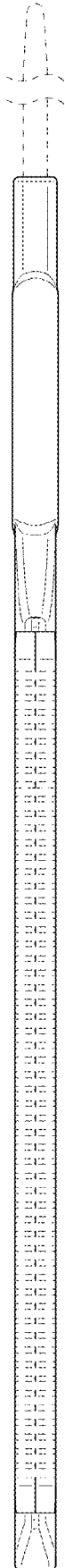


FIG. 5

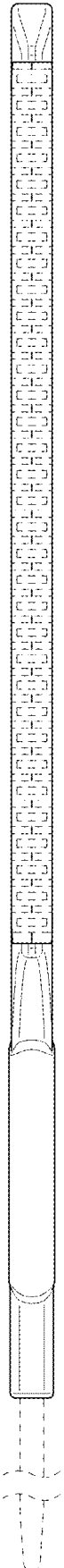


FIG. 6

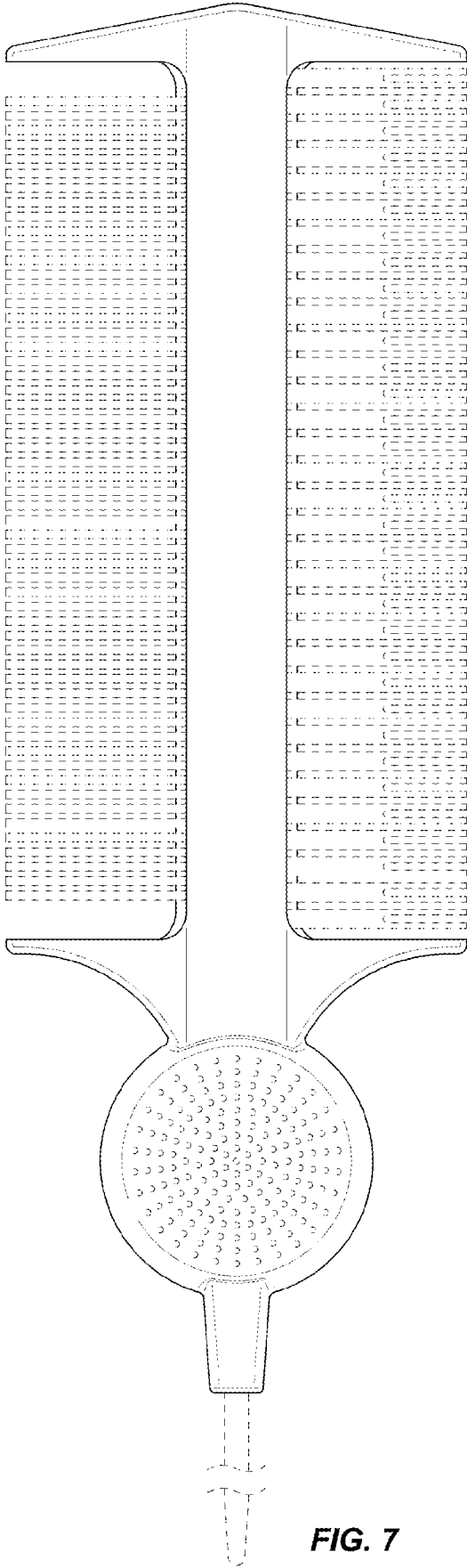


FIG. 7

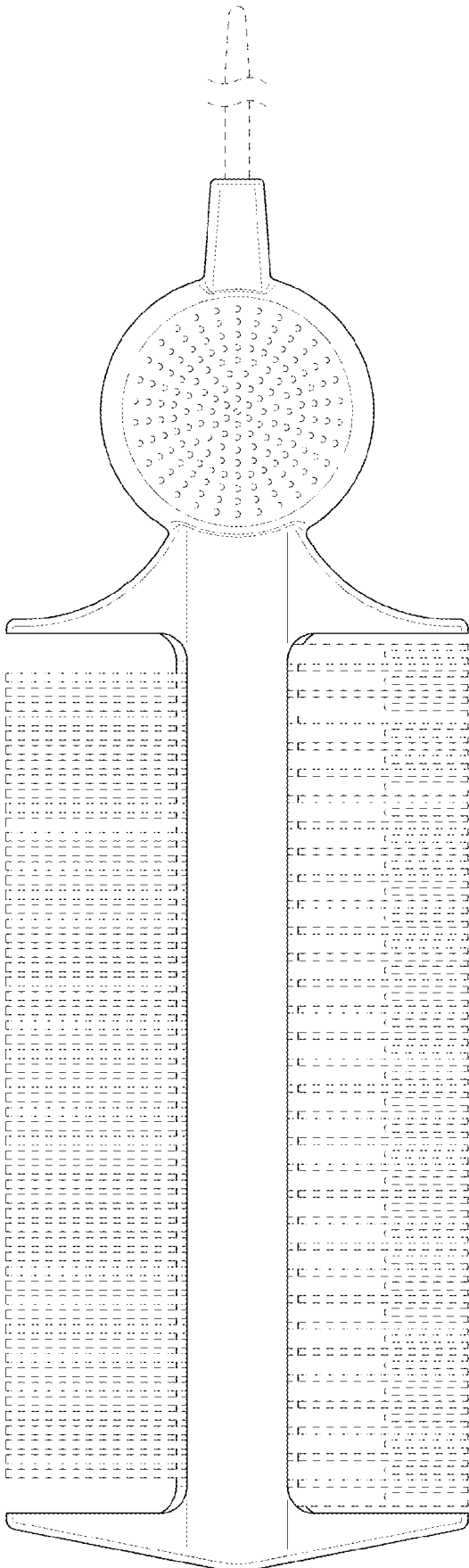


FIG. 8