



US00D777710S

(12) **United States Design Patent**
Palmborg et al.

(10) **Patent No.:** **US D777,710 S**

(45) **Date of Patent:** **** Jan. 31, 2017**

- (54) **EAR PIECE**
- (71) Applicant: **Doppler Labs, Inc.**, New York, NY (US)
- (72) Inventors: **Jacob Palmborg**, Brooklyn, NY (US);
Andrew McIntyre, Brooklyn, NY (US)
- (73) Assignee: **Doppler Labs, Inc.**, San Francisco, CA (US)
- (**) Term: **15 Years**
- (21) Appl. No.: **29/533,873**
- (22) Filed: **Jul. 22, 2015**
- (51) **LOC (10) Cl.** **14-01**
- (52) **U.S. Cl.**
USPC **D14/223**
- (58) **Field of Classification Search**
USPC D14/223, 205; 181/129, 130, 135; 379/430,
431; 381/380, 381, 151, 382, 324,
381/328; 455/90.3, 575.1
CPC H04R 25/00; H04R 1/10; H04R 1/105;
H04R 1/1066; H04R 1/1016
See application file for complete search history.

- 2,521,414 A * 9/1950 Schier H04R 25/656
181/135
- 2,659,772 A * 11/1953 O'Hara H04M 1/2155
181/22
- 2,714,134 A * 7/1955 Touger H04R 1/225
381/345
- 2,805,332 A * 9/1957 Bell H04B 1/088
329/370

(Continued)

Primary Examiner — Paula Greene

(74) *Attorney, Agent, or Firm* — Van Pelt, Yi & James LLP

(57) **CLAIM**

The ornamental design for an ear piece, as shown and described.

DESCRIPTION

A portion of the disclosure of this patent document contains material which is subject to copyright protection. This patent document may show and/or describe matter which is or may become trade dress of the owner. The copyright and trade dress owner has no objection to the facsimile reproduction by anyone of the patent disclosure as it appears in the Patent and Trademark Office patent files or records, but otherwise reserves all copyright and trade dress rights whatsoever.

FIG. 1 is a front, top, and left side perspective view of an ear piece showing our new design;

FIG. 2 is a rear, bottom and right side perspective view thereof.

FIG. 3 is a front elevation view thereof.

FIG. 4 is a rear elevation view thereof.

FIG. 5 is a left side elevation view thereof.

FIG. 6 is a right side elevation view thereof.

FIG. 7 is a top plan view thereof; and,

FIG. 8 is a bottom plan view thereof.

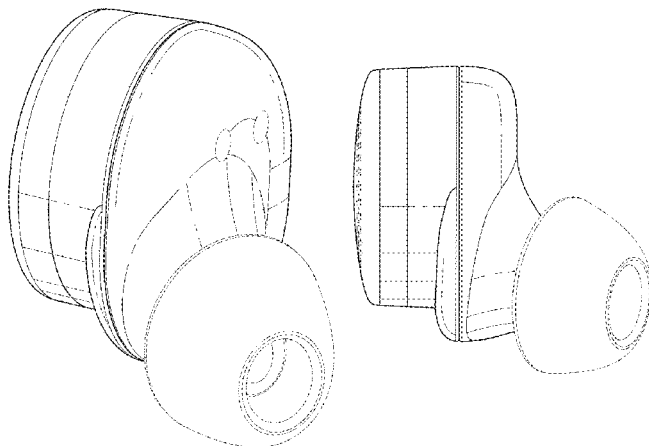
The broken lines depict environment and form no part of the claimed design.

1 Claim, 5 Drawing Sheets

(56) **References Cited**

U.S. PATENT DOCUMENTS

- 1,852,130 A * 4/1932 Schier H04R 25/656
381/328
- 1,893,143 A * 1/1933 Koch H04R 25/60
181/135
- 1,953,437 A * 4/1934 Schier A61F 11/00
128/864
- 2,064,426 A * 12/1936 Greibach H04R 11/06
181/132
- D105,261 S * 7/1937 Breen D24/174
- 2,377,739 A * 6/1945 Wyckoff A61F 11/008
181/132
- 2,430,229 A * 11/1947 Kelsey H04R 1/1058
181/130



(56)

References Cited

U.S. PATENT DOCUMENTS

2,874,231	A *	2/1959	Wallace	H04R 25/652	4,736,430	A *	4/1988	Schroder	H04R 25/656
				381/328					381/322
2,910,679	A *	10/1959	Baldwin	B60K 28/06	4,864,611	A *	9/1989	Helmuth	H04M 1/20
				200/61.47					379/444
2,971,065	A *	2/1961	Busse	H04R 25/456	4,977,975	A *	12/1990	Lazzeroni	A42B 3/166
				381/104					181/129
3,047,089	A *	7/1962	Zwislocki	A61F 11/08	D321,881	S *	11/1991	Hopewell	D14/192
				128/864	D348,067	S *	6/1994	Lucey	D14/223
3,234,467	A *	2/1966	Haveson	H01Q 1/24	5,654,530	A *	8/1997	Sauer	H04R 25/652
				334/76					181/130
3,324,253	A *	6/1967	Uemura	H04R 11/06	5,659,156	A *	8/1997	Mauney	H04R 1/1016
				381/189					181/130
3,440,365	A *	4/1969	Hazell	H04M 1/05	5,677,964	A *	10/1997	Sun	H04R 1/105
				379/430					381/189
D215,675	S *	10/1969	Yran	D13/114	5,724,431	A *	3/1998	Reiter	H01M 2/1044
3,821,647	A *	6/1974	Minasian	H04B 1/06					381/322
				381/380	5,828,757	A *	10/1998	Michalsen	H04R 25/502
3,906,478	A *	9/1975	Smey	B60K 28/06					381/322
				340/575	6,084,976	A *	7/2000	Lin	H04R 1/1016
4,005,278	A *	1/1977	Gorike	H04R 5/033					181/129
				181/137	6,122,388	A *	9/2000	Feldman	H04R 25/604
4,069,400	A *	1/1978	Johanson	H04R 25/60					381/322
				381/322	D464,638	S *	10/2002	Huang	D14/205
4,429,194	A *	1/1984	Kamon	H04R 1/1016	D481,709	S *	11/2003	Solderits	D14/223
				381/371	6,690,807	B1 *	2/2004	Meyer	G02C 5/143
D272,904	S *	3/1984	Kawano	D14/205					2/12
D274,619	S *	7/1984	Glicher	D14/189	D487,455	S *	3/2004	Asahina	D14/216
4,457,396	A *	7/1984	James	H04R 1/345	D505,411	S *	5/2005	Sakai	D14/192
				181/129	D508,911	S *	8/2005	Sanders	D14/223
4,471,490	A *	9/1984	Bellafore	H04R 25/65	D519,108	S *	4/2006	Yang	D14/223
				29/460	D537,438	S *	2/2007	Hermansen	D14/223
D279,186	S *	6/1985	Tung	D10/31	7,403,629	B1 *	7/2008	Aceti	H04R 25/656
4,539,708	A *	9/1985	Norris	H04B 1/088					181/130
				455/100	D579,006	S *	10/2008	Kim	D14/223
4,550,227	A *	10/1985	Topholm	H04R 25/60	D603,380	S *	11/2009	Hutchieson	D14/223
				381/322	D625,709	S *	10/2010	Yamamoto	D14/223
4,585,089	A *	4/1986	Topholm	H04R 25/65	D666,581	S *	9/2012	Perez	D14/223
				181/130	8,406,448	B2 *	3/2013	Lin	H04R 1/1091
D284,859	S *	7/1986	Okada	D14/192					381/332
D287,280	S *	12/1986	Topholm	D24/174	D699,226	S *	2/2014	Yoon	D14/206
D287,764	S *	1/1987	Topholm	D24/174	D725,082	S *	3/2015	Palmborg	D14/223
D287,765	S *	1/1987	Topholm	D24/174	8,983,108	B2 *	3/2015	Ho	H04R 1/1016
									181/135
					D733,102	S *	6/2015	Palmborg	D14/223
					9,148,714	B2 *	9/2015	Zhao	H04R 1/021

* cited by examiner

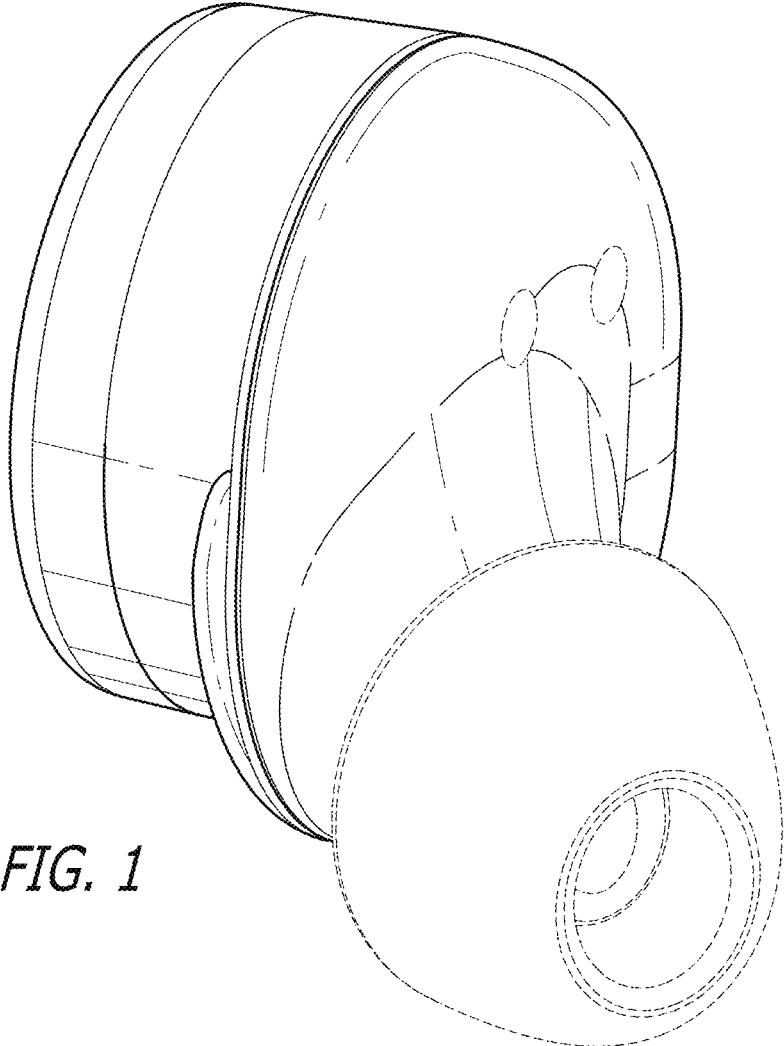


FIG. 1

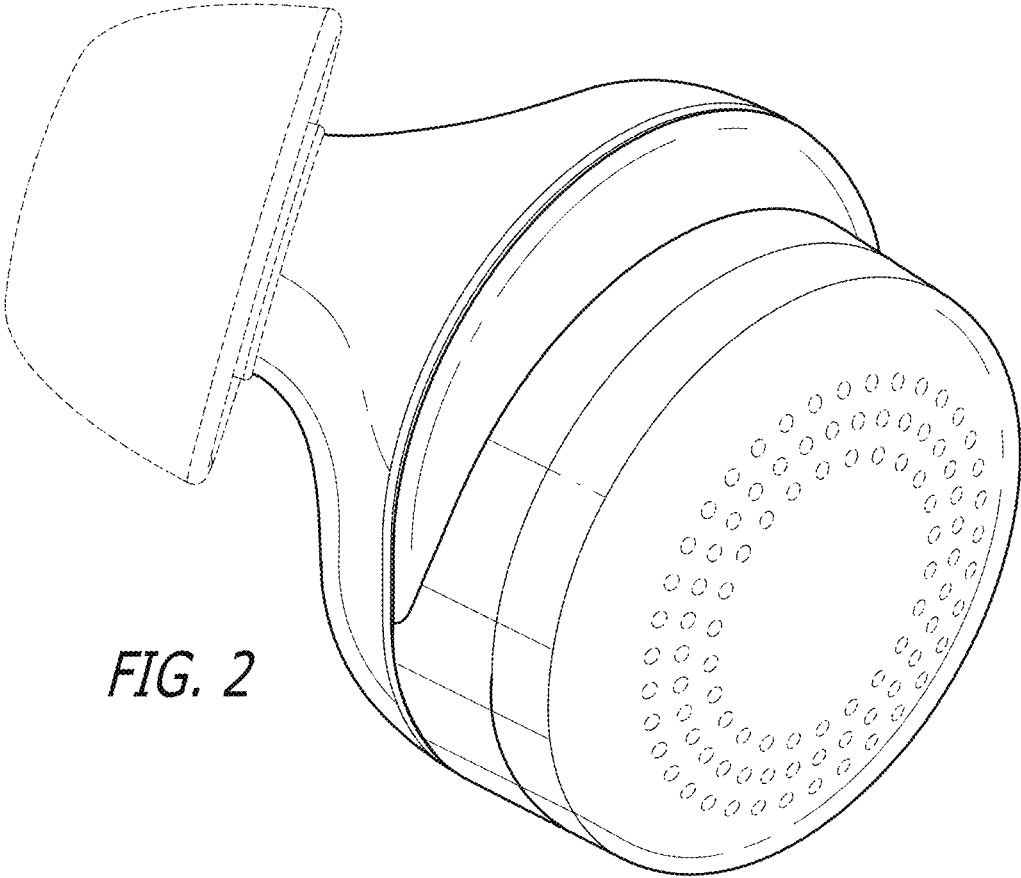


FIG. 2

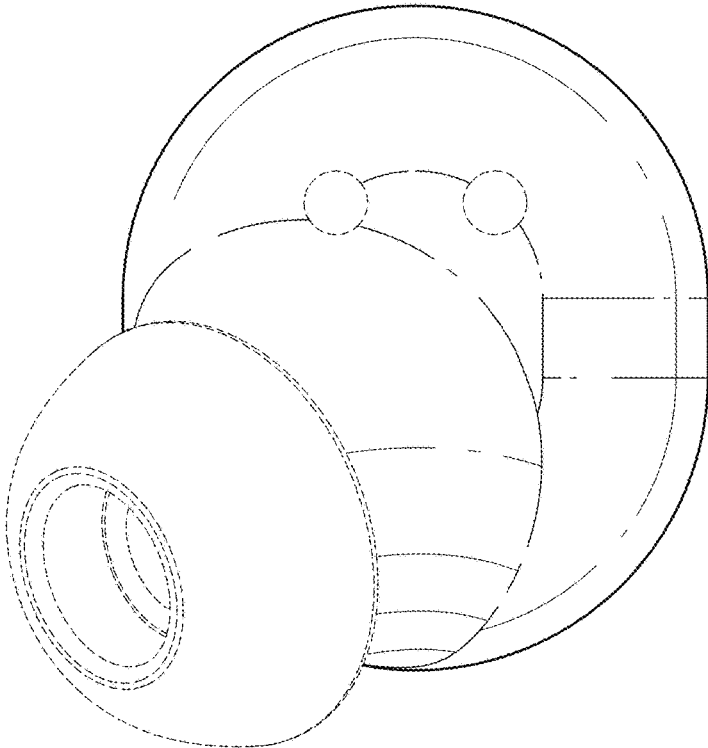


FIG. 3

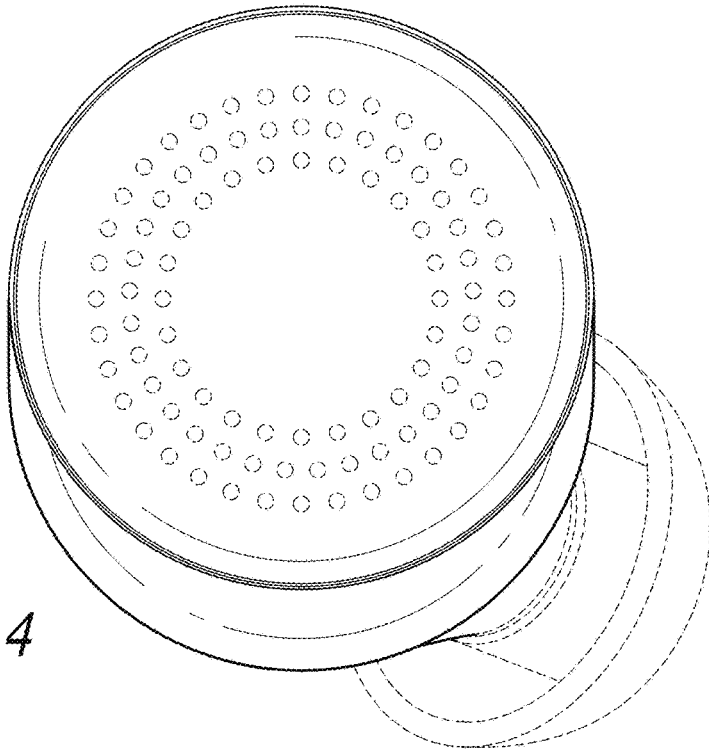


FIG. 4

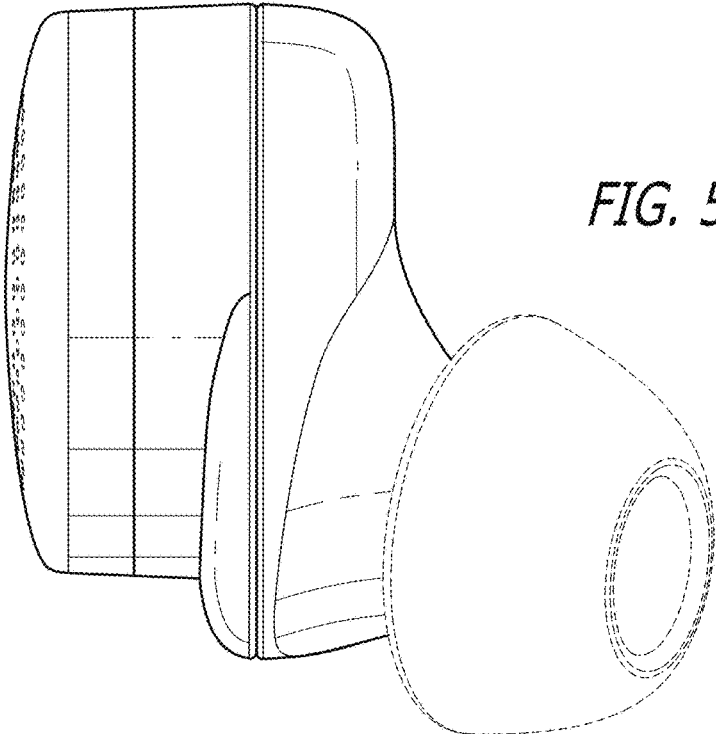


FIG. 5

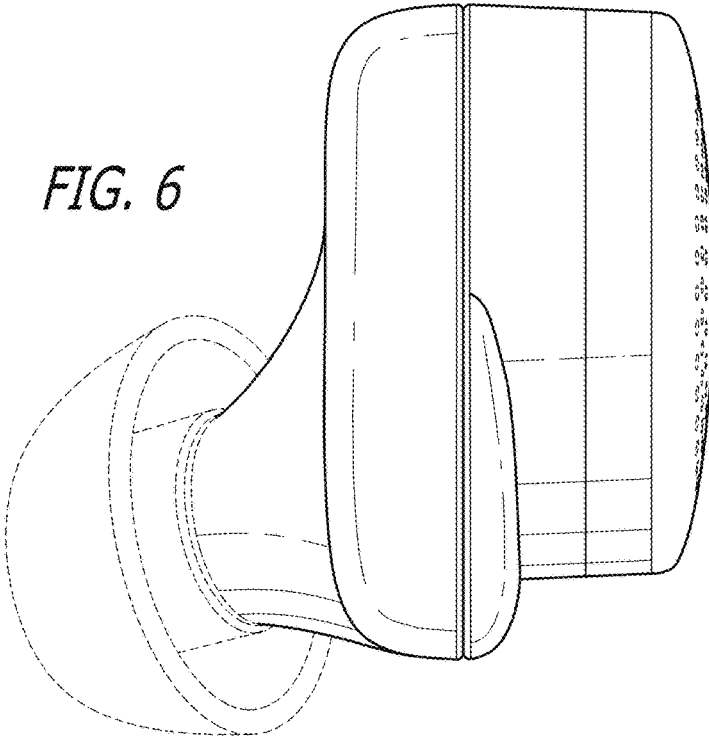


FIG. 6

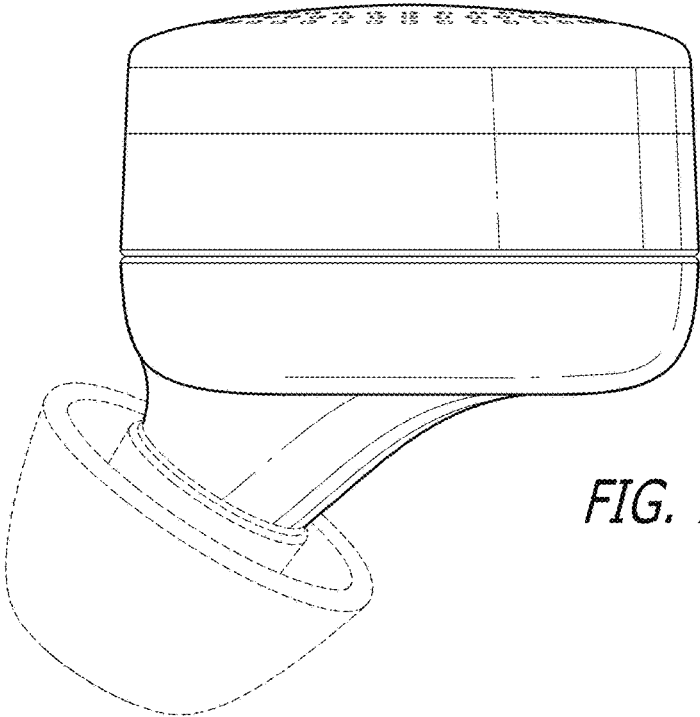


FIG. 7

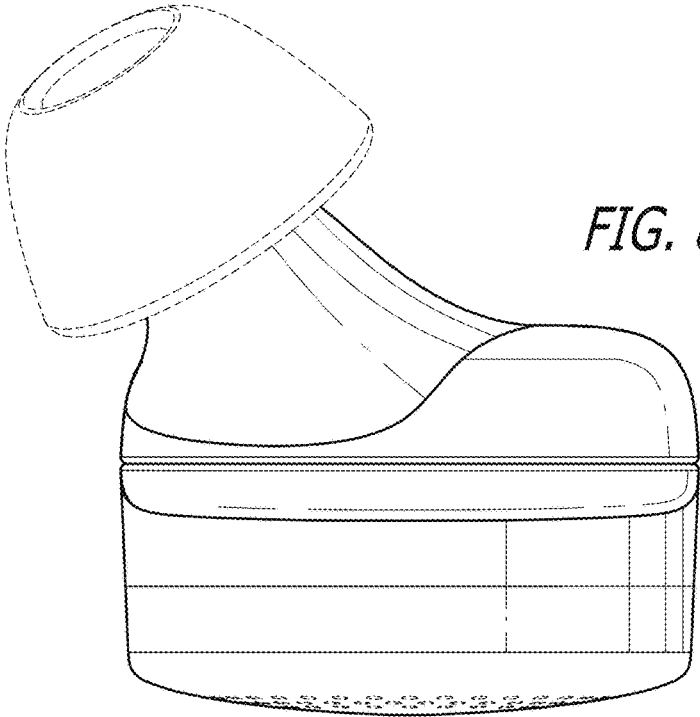


FIG. 8