



US00D747979S

(12) **United States Design Patent**
Babcock et al.

(10) **Patent No.:** **US D747,979 S**

(45) **Date of Patent:** **** Jan. 26, 2016**

(54) **WATCH**

(71) Applicant: **Nixon Inc.**, Encinitas, CA (US)

(72) Inventors: **Joseph Babcock**, Encinitas, CA (US);
Tyson White, Encinitas, CA (US)

(**) Term: **14 Years**

(21) Appl. No.: **29/498,274**

(22) Filed: **Aug. 1, 2014**

(51) **LOC (10) Cl.** **10-02**

(52) **U.S. Cl.**

USPC **D10/30; D10/38**

(58) **Field of Classification Search**

USPC D10/30-39, 1-29, 122-132
CPC G04B 19/00; G04B 19/046; G04B 19/065;
G04B 37/00; G04B 37/0008; G04B 37/0058;
G04B 37/04; G04B 45/00; G04B 45/0069;
G04B 45/046

See application file for complete search history.

(56) **References Cited**

U.S. PATENT DOCUMENTS

2,232,300	A	*	2/1941	Arbey	G04B 37/04
						368/228
2,852,908	A	*	9/1958	Stern	G04B 45/046
						368/234
D240,605	S	*	7/1976	Sticker	D10/38
D286,512	S	*	11/1986	Ichikawa	D10/38
D295,387	S	*	4/1988	Kumagai	D10/30
D462,909	S	*	9/2002	Cattin	D10/39
D494,070	S	*	8/2004	Debetaz	D10/32
D519,853	S	*	5/2006	Sirmakes	D10/32
D528,439	S	*	9/2006	Burton	D10/32
D568,181	S	*	5/2008	Rabassa	D10/39
D588,945	S	*	3/2009	Arabo	D10/39
D613,621	S	*	4/2010	Jorst	D10/39

FOREIGN PATENT DOCUMENTS

JP	D1507170	9/2014
JP	D1507175	9/2014
JP	D1520070	3/2015
JP	D1521561	4/2015
JP	D1521995	4/2015
JP	D1522013	4/2015
JP	D1523095	5/2015
JP	D1529744	7/2015

* cited by examiner

Primary Examiner — Martie K Holtje

(74) *Attorney, Agent, or Firm* — Cooley

(57) **CLAIM**

The ornamental design for a watch, as shown and described.

DESCRIPTION

FIG. 1 is a right front perspective view of a watch showing my new design;

FIG. 2 is a right rear perspective view thereof;

FIG. 3 is a front elevational view thereof;

FIG. 4 is a rear elevational view thereof;

FIG. 5 is a left side elevational view thereof;

FIG. 6 is a right side elevational view thereof;

FIG. 7 is a top plan view thereof;

FIG. 8 is a bottom plan view thereof;

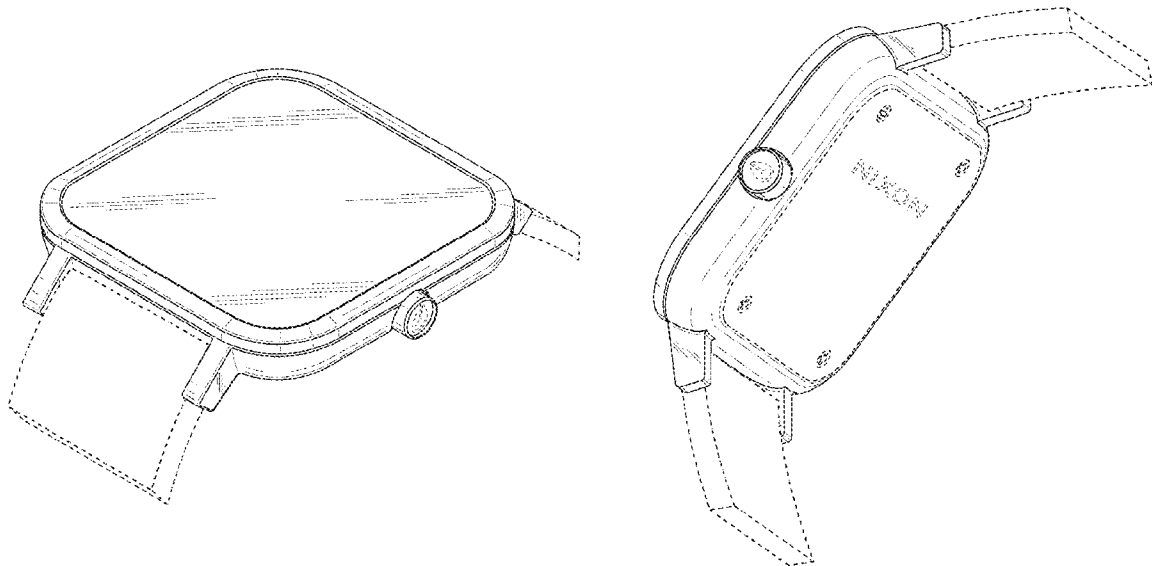
FIG. 9 is a second right front perspective view thereof; and,

FIG. 10 is a second front elevational view thereof.

The features depicted by broken lines in the figures have been shown for the purpose of illustrating portions of the watch that form no part of the claimed design.

The strap portions depicted by broken lines have been shown for the purpose of illustrating environment that forms no part of the claimed design.

1 Claim, 9 Drawing Sheets



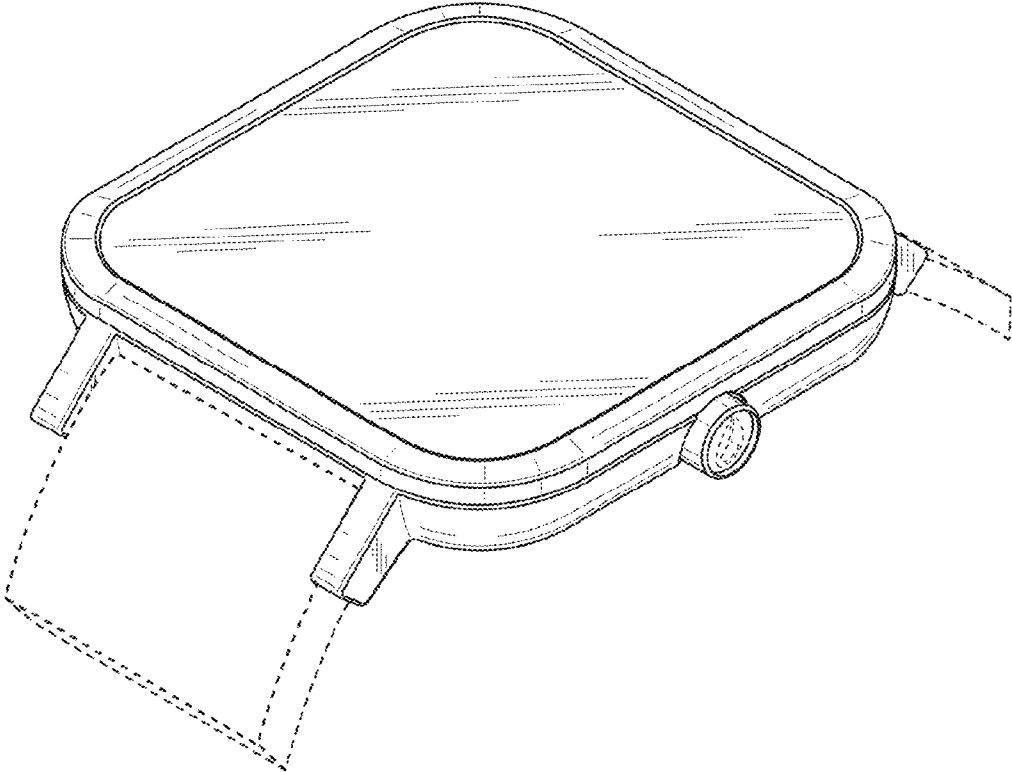


FIG.1

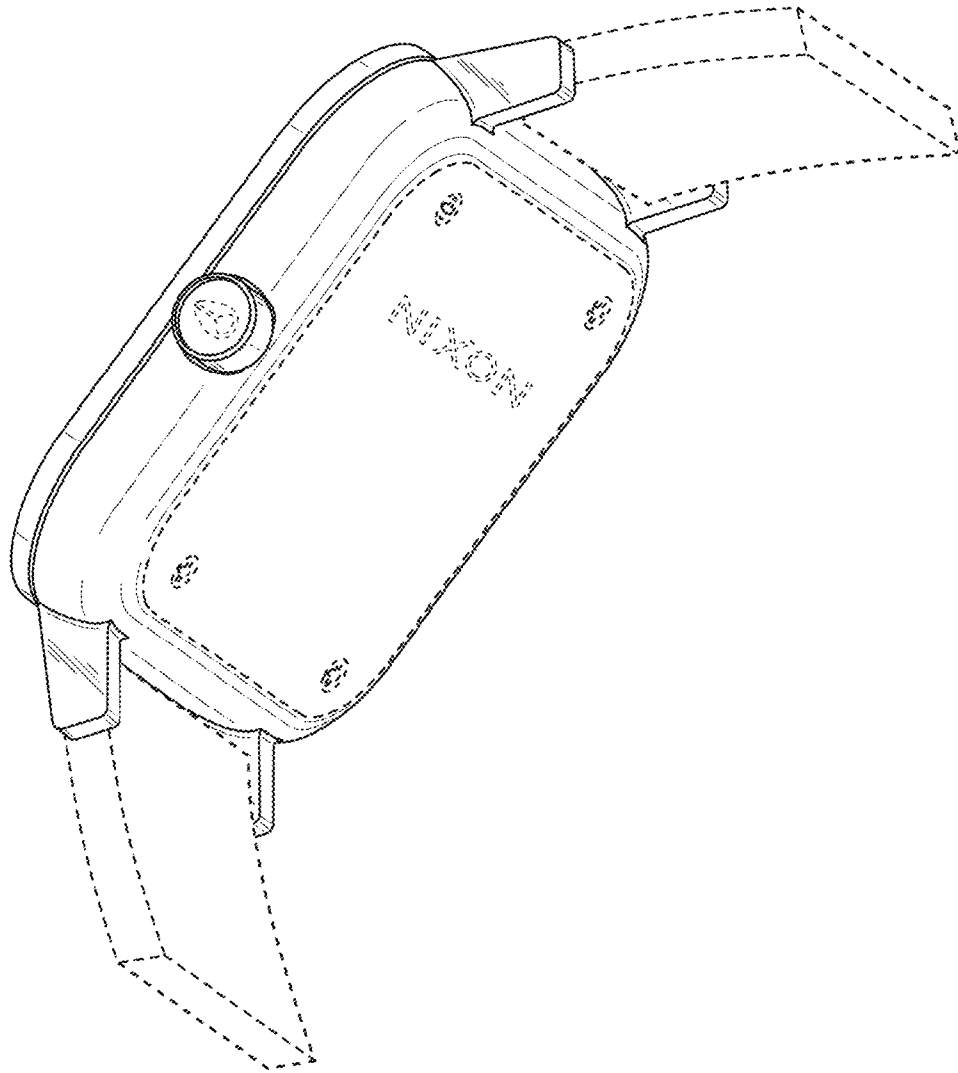


FIG. 2

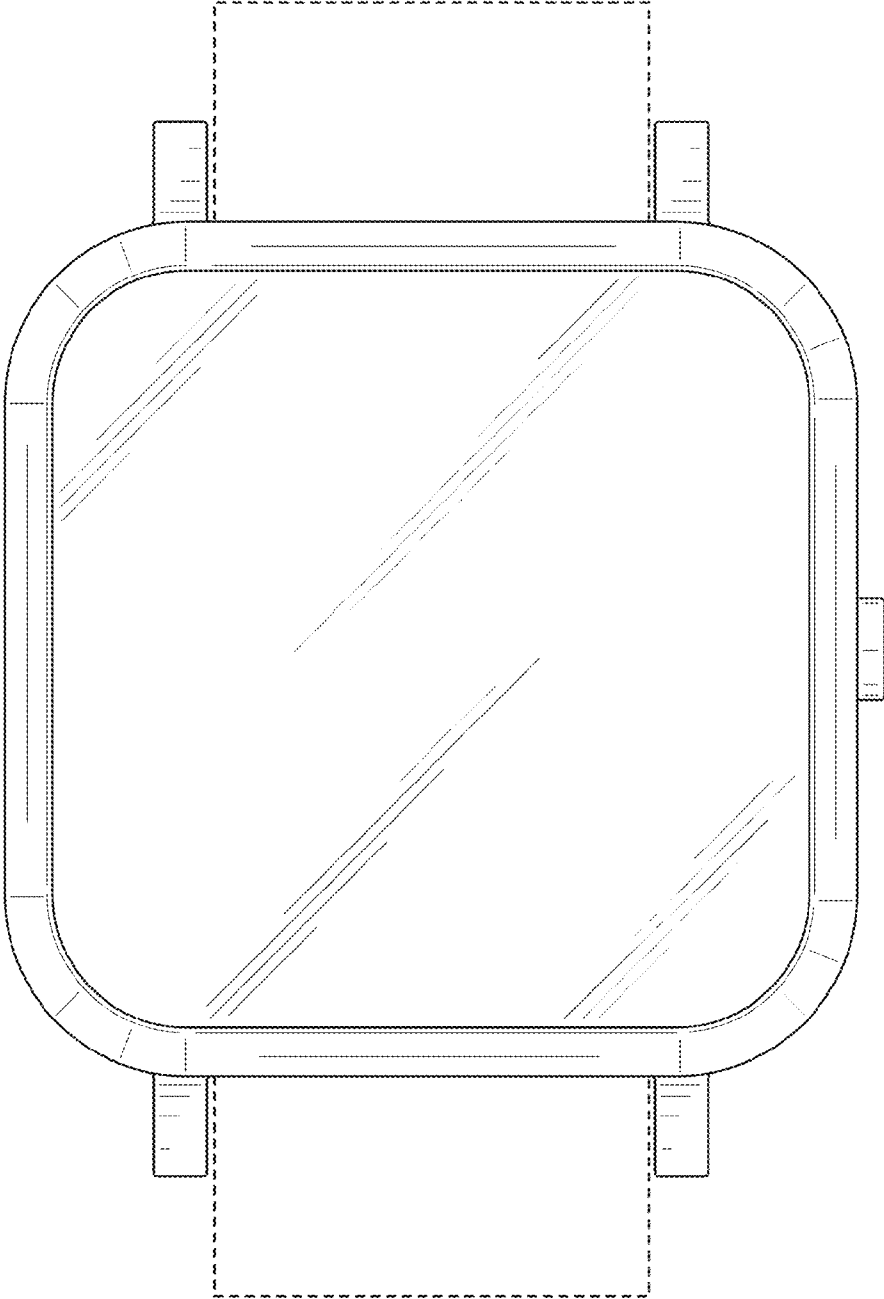


FIG.3



FIG.4

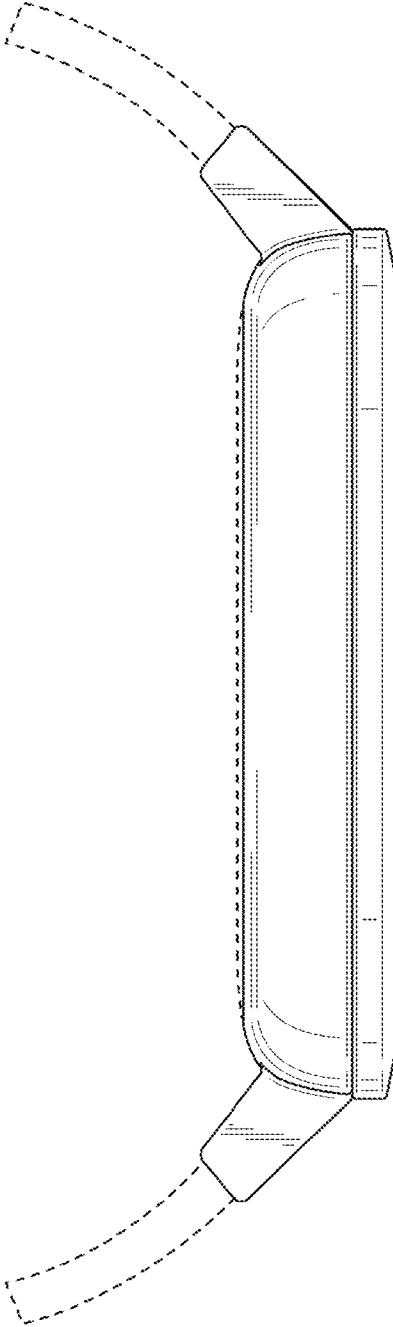


FIG.5

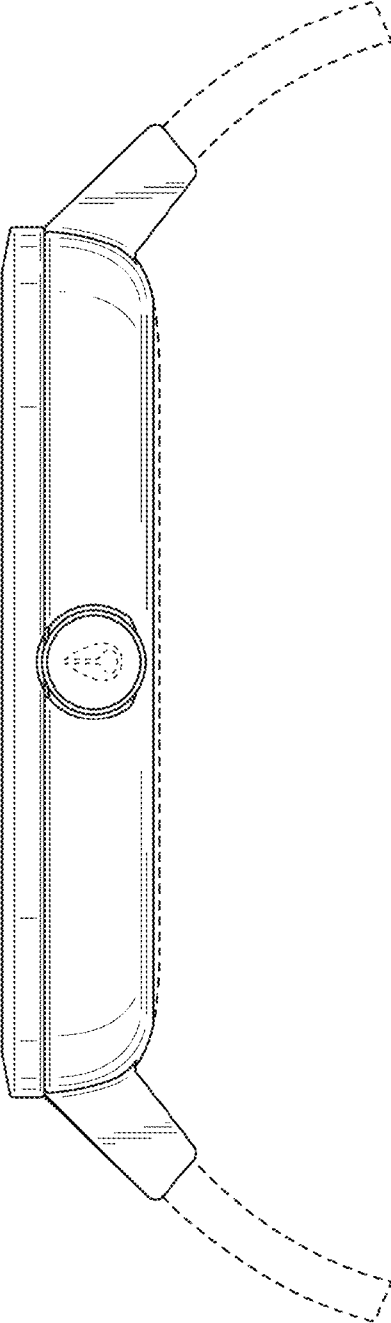


FIG.6

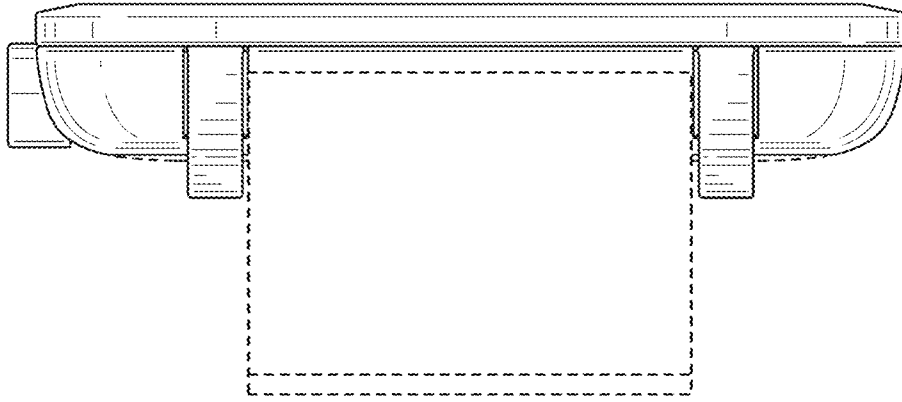


FIG. 7

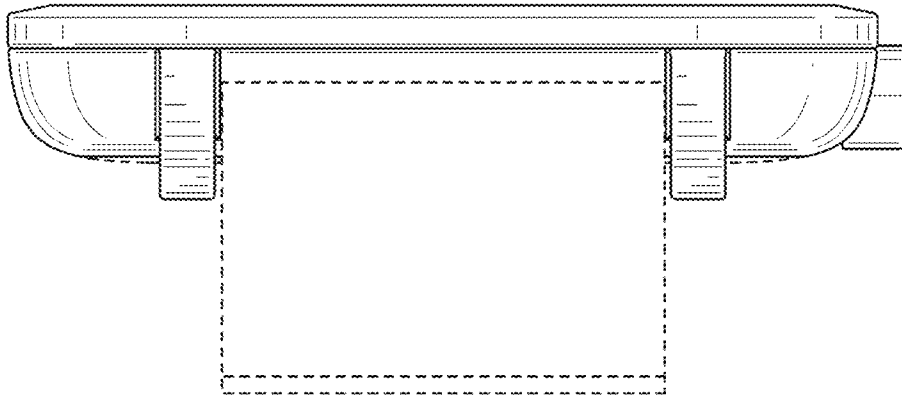


FIG. 8

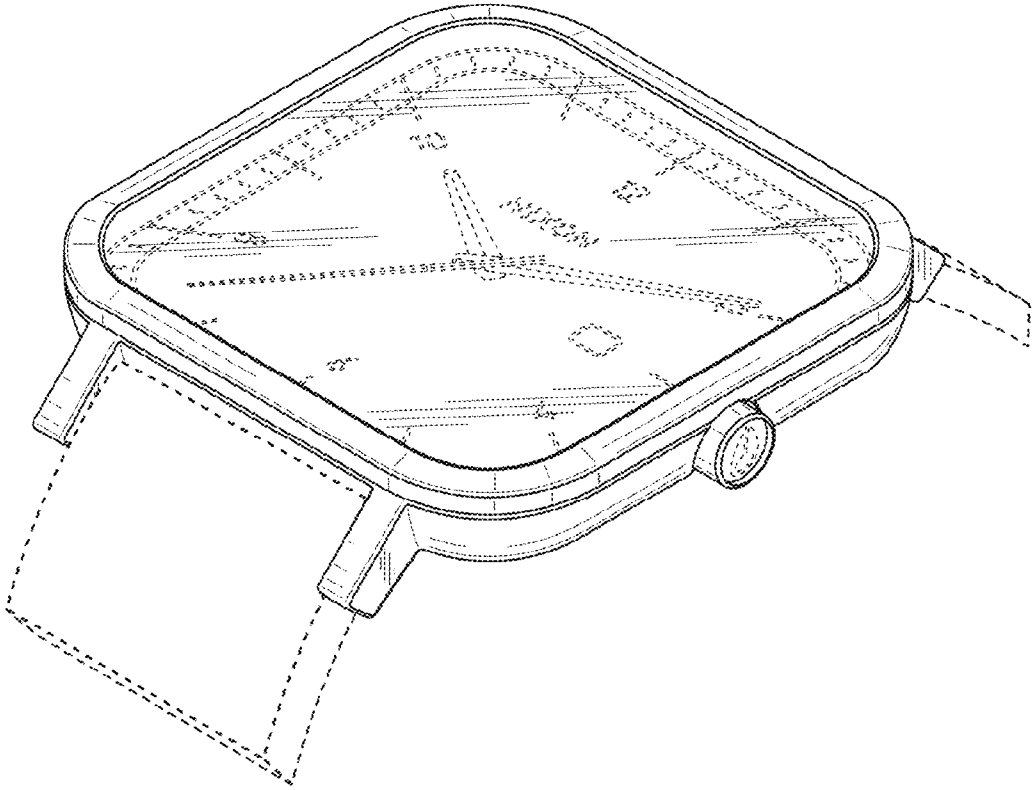


FIG.9

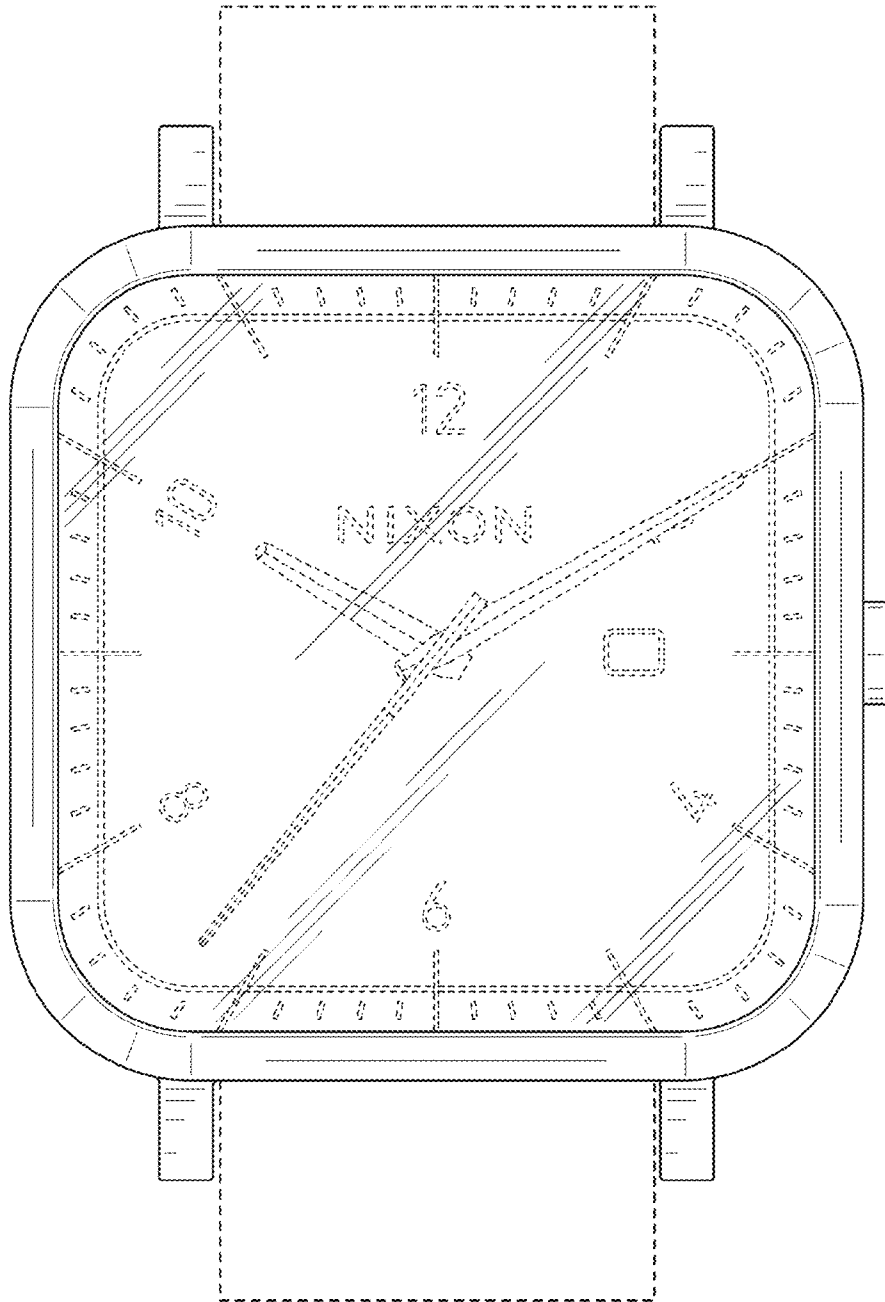


FIG.10