



US00D620339S

(12) **United States Design Patent**
Pennington

(10) **Patent No.:** **US D620,339 S**

(45) **Date of Patent:** **** Jul. 27, 2010**

(54) **HANDLE**

(76) Inventor: **Billy Pennington**, 414 S. Pulaski St.,
Suite 1, Little Rock, AR (US) 72201

(**) Term: **14 Years**

(21) Appl. No.: **29/354,999**

(22) Filed: **Feb. 1, 2010**

Related U.S. Application Data

(63) Continuation-in-part of application No. 11/745,436,
filed on May 7, 2007.

(51) **LOC (9) Cl.** **08-05**

(52) **U.S. Cl.** **D8/107**

(58) **Field of Classification Search** D8/14,
D8/24, 42, 82, 83, 107; 16/110.1; 81/177.1-177.7,
81/478, 479, 467, 468, 489

See application file for complete search history.

(56) **References Cited**

U.S. PATENT DOCUMENTS

3,128,131	A *	4/1964	Bianchini	403/248
3,651,718	A *	3/1972	Thomasian	81/480
5,056,381	A *	10/1991	Carmein	76/103
D339,048	S *	9/1993	Baum	D8/107
5,651,631	A *	7/1997	Carmien	403/261

D386,062	S *	11/1997	Quick	D8/107
D530,588	S *	10/2006	Wang	D8/107
D540,634	S *	4/2007	Mujwid	D8/24
7,373,860	B1 *	5/2008	Rinner	81/177.1
2003/0091401	A1 *	5/2003	Thompson	408/221

* cited by examiner

Primary Examiner—Cathron C Brooks

Assistant Examiner—Barbara Fox

(74) *Attorney, Agent, or Firm*—Crossley Patent Law; Mark A Crossley

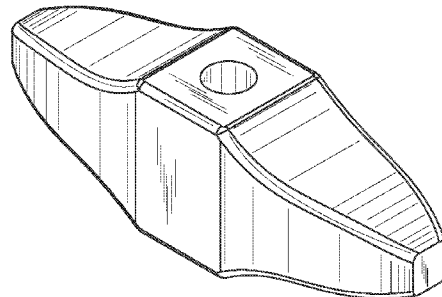
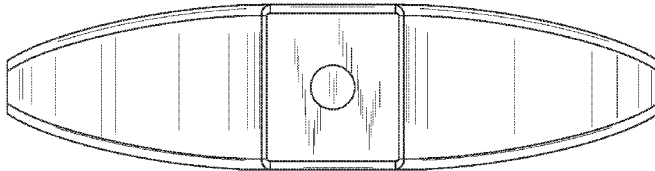
(57) **CLAIM**

The ornamental design for a handle, as shown and described.

DESCRIPTION

FIG. 1 is a top plan view of a handle showing my new design;
FIG. 2 is a front elevation view thereof;
FIG. 3 is a bottom plan view thereof;
FIG. 4 is a rear elevation view thereof;
FIG. 5 is a right elevation view thereof;
FIG. 6 is a left elevation view thereof;
FIG. 7 is a top isometric view thereof;
FIG. 8 is a bottom isometric view thereof; and,
FIG. 9 is a cross-section view thereof.

1 Claim, 4 Drawing Sheets



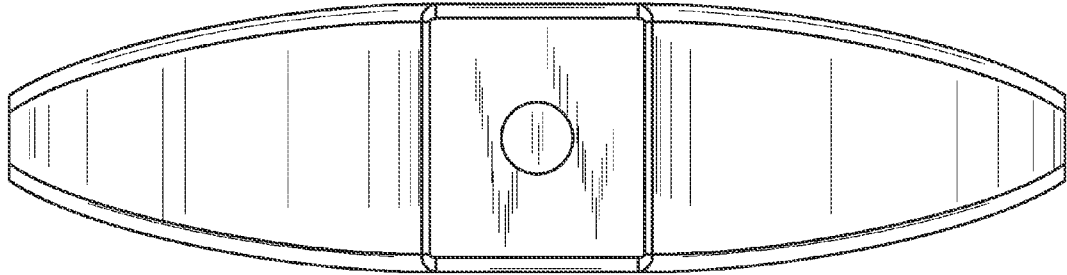


FIG. 1

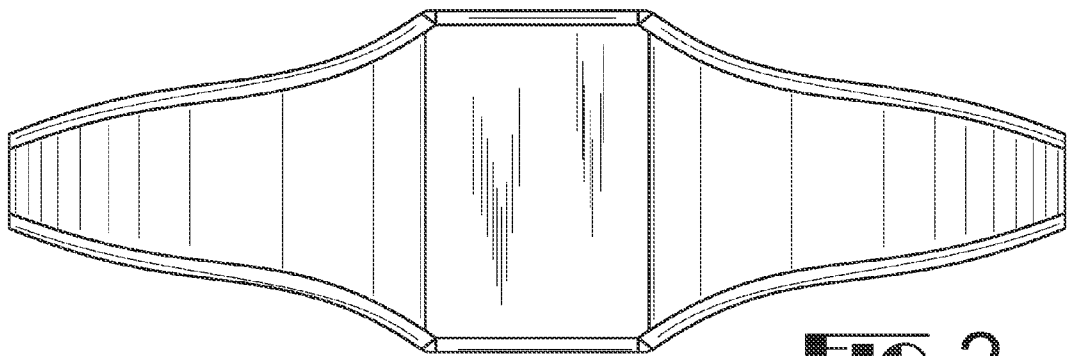


FIG. 2

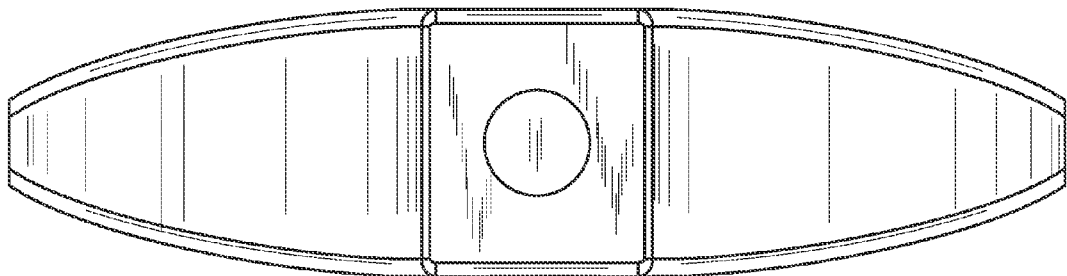


FIG. 3

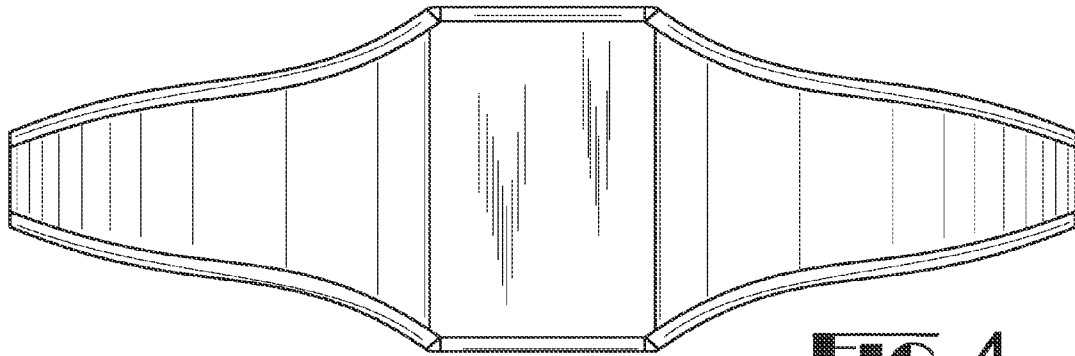


FIG. 4

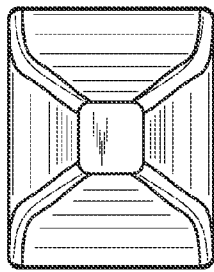


FIG. 5

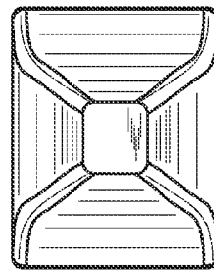


FIG. 6

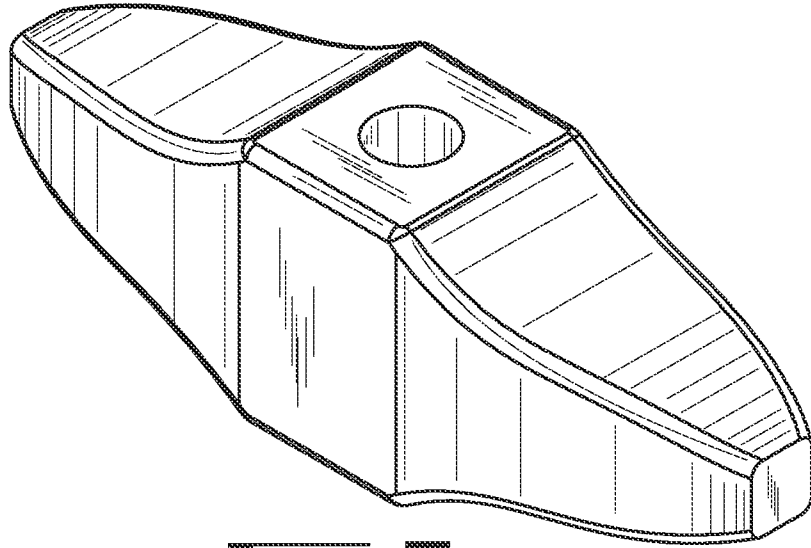


FIG. 7

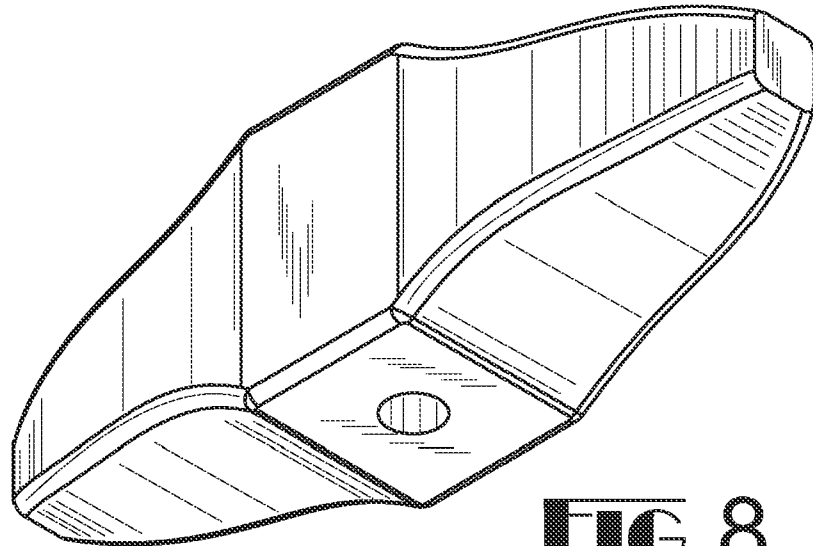


FIG. 8

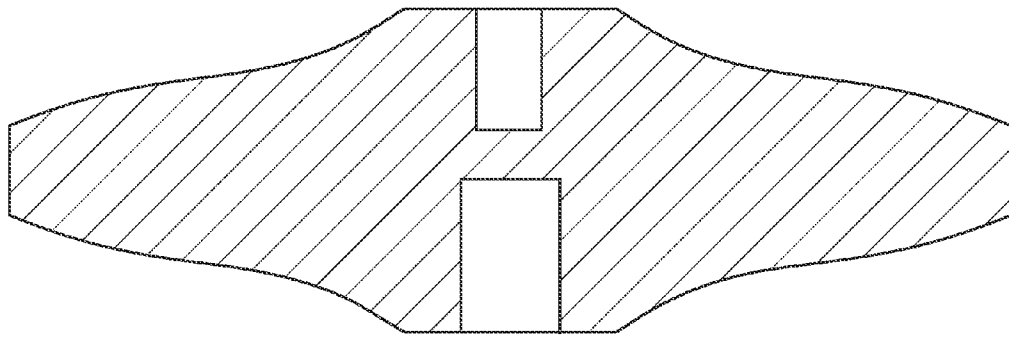


FIG. 9