

(19) World Intellectual Property Organization
International Bureau



(43) International Publication Date
17 July 2008 (17.07.2008)

PCT

(10) International Publication Number
WO 2008/086100 A3

(51) International Patent Classification:

H01Q 1/24 (2006.01) *H01Q 13/10* (2006.01)
H01Q 5/00 (2006.01) *H01Q 21/29* (2006.01)
H01Q 9/04 (2006.01) *H01Q 21/30* (2006.01)

503 Niguel, Watsonville, CA 95076 (US). **CABALLERO, Ruben** [CA/US]; 1467 Carrington Circle, San Jose, CA 95125 (US).

(21) International Application Number:

PCT/US2008/050122

(74) Agent: **TREYZ, G., Victor**; 870 Market Street, Suite 984, San Francisco, CA 94102 (US).

(22) International Filing Date: 3 January 2008 (03.01.2008)

(25) Filing Language: English

(26) Publication Language: English

(30) Priority Data:
11/650,187 4 January 2007 (04.01.2007) US

(81) Designated States (unless otherwise indicated, for every kind of national protection available): AE, AG, AL, AM, AO, AT, AU, AZ, BA, BB, BG, BH, BR, BW, BY, BZ, CA, CH, CN, CO, CR, CU, CZ, DE, DK, DM, DO, DZ, EC, EE, EG, ES, FI, GB, GD, GE, GH, GM, GT, HN, HR, HU, ID, IL, IN, IS, JP, KE, KG, KM, KN, KP, KR, KZ, LA, LC, LK, LR, LS, LT, LU, LY, MA, MD, ME, MG, MK, MN, MW, MX, MY, MZ, NA, NG, NI, NO, NZ, OM, PG, PH, PL, PT, RO, RS, RU, SC, SD, SE, SG, SK, SL, SM, SV, SY, TJ, TM, TN, TR, TT, TZ, UA, UG, US, UZ, VC, VN, ZA, ZM, ZW.

(71) Applicant (for all designated States except US): **APPLE INC.** [US/US]; 1 Infinite Loop M/s 3-pat, Cupertino, CA 95014 (US).

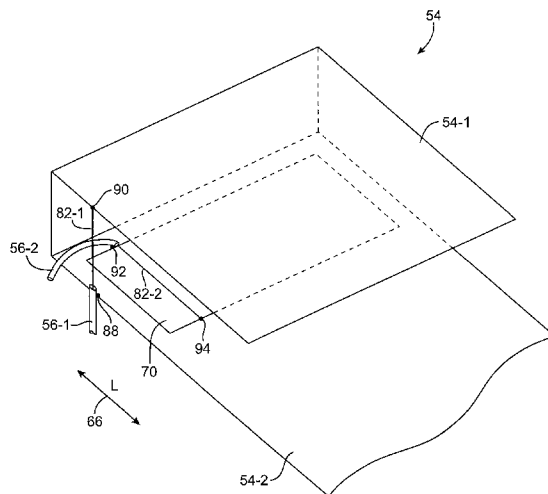
(84) Designated States (unless otherwise indicated, for every kind of regional protection available): ARIPO (BW, GH, GM, KE, LS, MW, MZ, NA, SD, SL, SZ, TZ, UG, ZM, ZW), Eurasian (AM, AZ, BY, KG, KZ, MD, RU, TJ, TM), European (AT, BE, BG, CH, CY, CZ, DE, DK, EE, ES, FI, FR, GB, GR, HR, HU, IE, IS, IT, LT, LU, LV, MC, MT, NL, NO, PL, PT, RO, SE, SI, SK, TR), OAPI (BF, BJ, CF, CG, CI, CM, GA, GN, GQ, GW, ML, MR, NE, SN, TD, TG).

(72) Inventors; and

(75) Inventors/Applicants (for US only): **HILL, Robert, J.** [US/US]; 8711 Lilac Court, Salinas, CA 93907 (US). **SCHLUB, Robert, W.** [AU/US]; 3689 Europe Court, Santa Clara, CA 95051 (US). **ZAVALA, Juan** [US/US];

[Continued on next page]

(54) Title: ANTENNAS FOR HANDHELD ELECTRONIC DEVICES



(57) Abstract: Handheld electronic devices are provided that contain wireless communications circuitry having at least one antenna. The antenna may have a planar ground element and a planar resonating element. The planar ground element may have a rectangular shape that matches a rectangular housing shape for a handheld electronic device. A dielectric-filled slot may be formed in one end of the planar ground element. The planar resonating element may be located above the slot. The antenna may be a hybrid antenna that contains both a slot antenna structure formed from the slot and a planar inverted-F structure formed from the planar resonating element and the planar ground element. The antenna may be fed using a single transmission line or two transmission lines. With two transmission lines, one transmission line may be associated with the slot antenna structure and one transmission line may be associated with the planar inverted-F antenna structure.

WO 2008/086100 A3



Published:

- *with international search report*
- *before the expiration of the time limit for amending the claims and to be republished in the event of receipt of amendments*

(88) Date of publication of the international search report:

4 September 2008

INTERNATIONAL SEARCH REPORT

International application No
PCT/US2008/050122

A. CLASSIFICATION OF SUBJECT MATTER

INV. H01Q1/24 H01Q5/00 H01Q9/04 H01Q13/10 H01Q21/29
H01Q21/30

According to International Patent Classification (IPC) or to both national classification and IPC

B. FIELDS SEARCHED

Minimum documentation searched (classification system followed by classification symbols)
H01Q

Documentation searched other than minimum documentation to the extent that such documents are included in the fields searched

Electronic data base consulted during the international search (name of data base and, where practical, search terms used)

EPO-Internal, WPI Data

C. DOCUMENTS CONSIDERED TO BE RELEVANT

Category*	Citation of document, with indication, where appropriate, of the relevant passages	Relevant to claim No.
X	WO 2005/109567 A (MOLEX INC [US]; ROWELL CORBETT RAY [CN]) 17 November 2005 (2005-11-17) the whole document	1-30
X	EP 1 401 050 A (FILTRONIC LK OY [FI] PULSE FINLAND OY [FI]) 24 March 2004 (2004-03-24) the whole document	1-30
X	US 2004/017318 A1 (ANNABI AYOUB [FR] ET AL) 29 January 2004 (2004-01-29) the whole document	1-30
X	WO 2004/001894 A (FRACTUS SA [ES]; GALA GALA DAVID [ES]; PUENTE BALIARDA CARLES [ES]; SO) 31 December 2003 (2003-12-31) the whole document	1-30

Further documents are listed in the continuation of Box C.

See patent family annex.

* Special categories of cited documents :

- *A* document defining the general state of the art which is not considered to be of particular relevance
- *E* earlier document but published on or after the international filing date
- *L* document which may throw doubts on priority claim(s) or which is cited to establish the publication date of another citation or other special reason (as specified)
- *O* document referring to an oral disclosure, use, exhibition or other means
- *P* document published prior to the international filing date but later than the priority date claimed

- *T* later document published after the international filing date or priority date and not in conflict with the application but cited to understand the principle or theory underlying the invention
- *X* document of particular relevance; the claimed invention cannot be considered novel or cannot be considered to involve an inventive step when the document is taken alone
- *Y* document of particular relevance; the claimed invention cannot be considered to involve an inventive step when the document is combined with one or more other such documents, such combination being obvious to a person skilled in the art.
- * & * document member of the same patent family

Date of the actual completion of the international search

16 June 2008

Date of mailing of the international search report

30/06/2008

Name and mailing address of the ISA/

European Patent Office, P.B. 5818 Patentlaan 2
NL - 2280 HV Rijswijk
Tel. (+31-70) 340-2040, Tx. 31 651 epo nl,
Fax: (+31-70) 340-3016

Authorized officer

Fredj, Aziz

INTERNATIONAL SEARCH REPORT

International application No

PCT/US2008/050122

C(Continuation). DOCUMENTS CONSIDERED TO BE RELEVANT.		
Category*	Citation of document, with indication, where appropriate, of the relevant passages	Relevant to claim No.
A	EP 1 351 334 A (HEWLETT PACKARD CO [US]) 8 October 2003 (2003-10-08) the whole document -----	1-30

INTERNATIONAL SEARCH REPORT

Information on patent family members

International application No PCT/US2008/050122

Patent document cited in search report	A	Publication date	Patent family member(s)	Publication date
WO 2005109567	A	17-11-2005	CN 1691415 A	02-11-2005
EP 1401050	A	24-03-2004	AT 347182 T CN 1495966 A DE 60309994 T2 FI 20021668 A US 2004058723 A1	15-12-2006 12-05-2004 20-09-2007 20-03-2004 25-03-2004
US 2004017318	A1	29-01-2004	NONE	
WO 2004001894	A	31-12-2003	AU 2002319262 A1 BR 0215790 A CN 1630962 A EP 1516388 A1 JP 2005531177 T US 2005259013 A1	06-01-2004 01-03-2005 22-06-2005 23-03-2005 13-10-2005 24-11-2005
EP 1351334	A	08-10-2003	JP 2003318638 A US 2003189525 A1	07-11-2003 09-10-2003