

(19) World Intellectual Property Organization
International Bureau



(43) International Publication Date
26 May 2006 (26.05.2006)

PCT

(10) International Publication Number
WO 2006/055288 A3

(51) International Patent Classification:
A61M 3/00 (2006.01) A61M 5/178 (2006.01)
A61M 25/00 (2006.01)

(21) International Application Number:
PCT/US2005/040101

(22) International Filing Date:
4 November 2005 (04.11.2005)

(25) Filing Language: English

(26) Publication Language: English

(30) Priority Data:
60/625,005 4 November 2004 (04.11.2004) US

(71) Applicant (for all designated States except US): **SHERWOOD SERVICE AG** [CH/CH]; Bahnhofstrasse 29, CH-8200 Schaffhausen (CH).

(71) Applicants and

(72) Inventors: **TAL, Michael, G.** [US/US]; 123 Peck Hill Road, Woodbridge, CT 06525 (US). **HAARALA, Brett** [US/US]; 21 Pitt Road, Framingham, Massachusetts 01701 (US). **RAINIERI, Christopher, V.** [US/US]; 25 Katie Circle, Attleboro, Massachusetts 02703 (US). **BRAGA, Richard** [US/US]; 231 Copley Drive, Taunton, Massachusetts 02780 (US).

(74) Agent: **O'BRIEN, Elizabeth, A.**; TYCO HEALTHCARE GROUP LP, 15 Hampshire Street, Mansfield, Massachusetts 02048, (US).

(81) Designated States (unless otherwise indicated, for every kind of national protection available): AE, AG, AL, AM, AT, AU, AZ, BA, BB, BG, BR, BW, BY, BZ, CA, CH, CN, CO, CR, CU, CZ, DE, DK, DM, DZ, EC, EE, EG, ES, FI, GB, GD, GE, GH, GM, HR, HU, ID, IL, IN, IS, JP, KE, KG, KM, KN, KP, KR, KZ, LC, LK, LR, LS, LT, LU, LV, LY, MA, MD, MG, MK, MN, MW, MX, MZ, NA, NG, NI, NO, NZ, OM, PG, PH, PL, PT, RO, RU, SC, SD, SE, SG, SK, SL, SM, SY, TJ, TM, TN, TR, TT, TZ, UA, UG, US, UZ, VC, VN, YU, ZA, ZM, ZW.

(84) Designated States (unless otherwise indicated, for every kind of regional protection available): ARIPO (BW, GH, GM, KE, LS, MW, MZ, NA, SD, SL, SZ, TZ, UG, ZM, ZW), Eurasian (AM, AZ, BY, KG, KZ, MD, RU, TJ, TM), European (AT, BE, BG, CH, CY, CZ, DE, DK, EE, ES, FI, FR, GB, GR, HU, IE, IS, IT, LT, LU, LV, MC, NL, PL, PT, RO, SE, SI, SK, TR), OAPI (BF, BJ, CF, CG, CI, CM, GA, GN, GQ, GW, ML, MR, NE, SN, TD, TG).

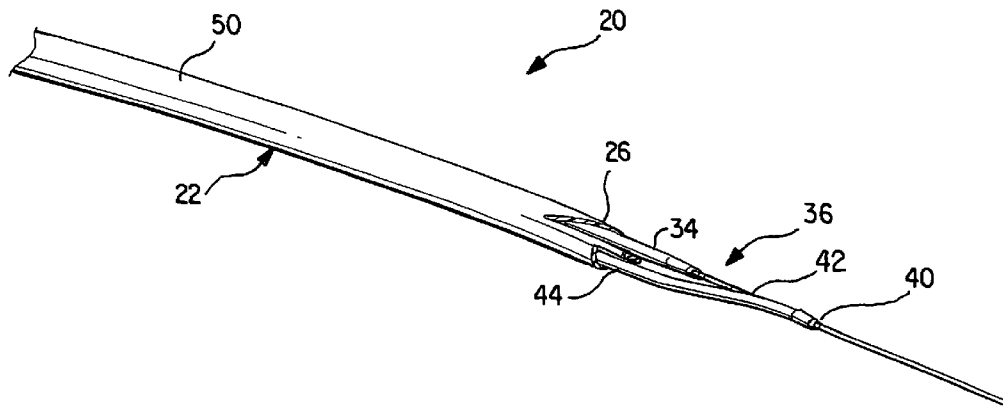
Published:

- with international search report
- before the expiration of the time limit for amending the claims and to be republished in the event of receipt of amendments

(88) Date of publication of the international search report:
12 April 2007

For two-letter codes and other abbreviations, refer to the "Guidance Notes on Codes and Abbreviations" appearing at the beginning of each regular issue of the PCT Gazette.

(54) Title: CATHETER INSERTION APPARATUS



(57) Abstract: A catheter is provided including a first lumen and a second lumen. A first member is disposed for relative movement within the first lumen and defines a cavity. A second member is disposed for relative movement within the second lumen. The cavity of the first member is configured for disposal of the second member. The catheter may include an elongated tubular body that includes the first lumen and the second lumen. The first member may have a distal portion that extends beyond the distal end of the body. The distal portion may include the cavity. The cavity may be defined by a member lumen. The first and second members may include tubular stylettes. The second member may include a guidewire.



WO 2006/055288 A3

INTERNATIONAL SEARCH REPORT

International application No.

PCT/US05/40101

A. CLASSIFICATION OF SUBJECT MATTER
 IPC: A61M 5/00(2006.01),25/00(2006.01),5/178(2006.01)
 A61M 3/00(2006.01)
 USPC: 604/528,264,164.11
 According to International Patent Classification (IPC) or to both national classification and IPC

B. FIELDS SEARCHED

Minimum documentation searched (classification system followed by classification symbols)
 U.S. : 604/528, 264, 164.11

Documentation searched other than minimum documentation to the extent that such documents are included in the fields searched

Electronic data base consulted during the international search (name of data base and, where practicable, search terms used)

C. DOCUMENTS CONSIDERED TO BE RELEVANT

Category *	Citation of document, with indication, where appropriate, of the relevant passages	Relevant to claim No.
X	US 5,318,527 A (Hyde et al.) 7 June 1994 (07.06.1994), figure 4.	1-32
A	US 4,850,358 A (Millar) 25 July 1989 (25.07.1989).	1-32
A	US 5,458,584 A (Ginn et al.) 17 October 1995 (17.10.1995).	1-32

Further documents are listed in the continuation of Box C. See patent family annex.

* Special categories of cited documents:	
"A" document defining the general state of the art which is not considered to be of particular relevance	"T" later document published after the international filing date or priority date and not in conflict with the application but cited to understand the principle or theory underlying the invention
"E" earlier application or patent published on or after the international filing date	"X" document of particular relevance; the claimed invention cannot be considered novel or cannot be considered to involve an inventive step when the document is taken alone
"L" document which may throw doubts on priority claim(s) or which is cited to establish the publication date of another citation or other special reason (as specified)	"Y" document of particular relevance; the claimed invention cannot be considered to involve an inventive step when the document is combined with one or more other such documents, such combination being obvious to a person skilled in the art
"O" document referring to an oral disclosure, use, exhibition or other means	"&" document member of the same patent family
"P" document published prior to the international filing date but later than the priority date claimed	

Date of the actual completion of the international search 21 December 2006 (21.12.2006)	Date of mailing of the international search report 09 FEB 2007
Name and mailing address of the ISA/US Mail Stop PCT, Attn: ISA/US Commissioner for Patents P.O. Box 1450 Alexandria, Virginia 22313-1450 Facsimile No. (571) 273-3201	Authorized officer Matthew F. DeSanto Telephone No. 1-703-308-0858