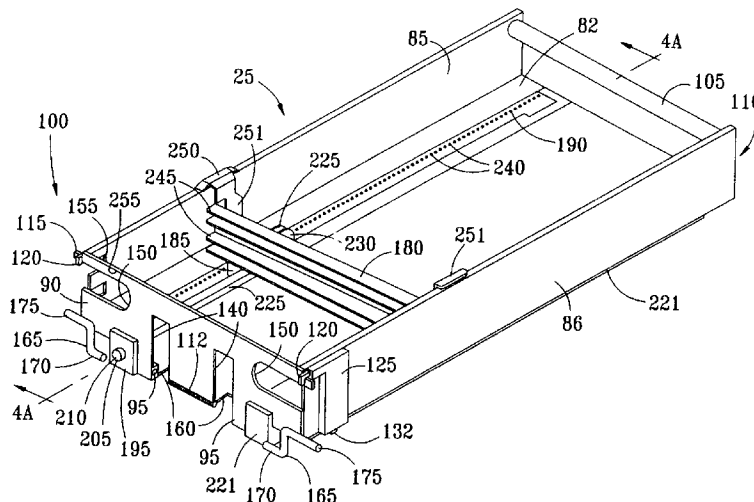




- (72) HARRES, Luiz C., US
(72) HICKEY, Richard C., US
(72) COMBS, Charles M., US
(71) SIEMENS ELECTROCOM L.P., US
(51) Int.Cl.⁶ B65H 31/06
(30) 1996/03/29 (08/625,768) US
(30) 1997/01/30 (60/043,646) US
(54) **CASSETTE DESTINEE A CONTENIR DES ARTICLES PLATS**
(54) **CARTRIDGE FOR CONTAINING FLAT ARTICLES**



(57) L'invention porte sur une cassette (25) destinée à contenir des articles plats. Cette cassette (25) est spécialement adaptée pour être utilisée dans le cadre d'un procédé et avec un appareil permettant d'empiler automatiquement du courrier dans des cassettes dans des compartiments de sortie (20) d'une trieuse (15) et de transférer, par système robotique, des cassettes pleines, des compartiments de sortie d'une trieuse vers des étagères de mise en attente (40), puis de les acheminer vers le poste de réception (55) d'un dispositif de déchargement et d'un dispositif de chargement automatique d'où elles sont dirigées vers l'entrée de la trieuse, le transfert des cassettes vides s'effectuant du poste de réception vers les étagères de mise en attente ou les compartiments de sortie de la trieuse (45).

(57) A cartridge (25) for containing mail. The cartridge (25) is specially adapted for use in a method and apparatus for automatically stacking mail into cartridges in output compartments (20) of a sorting machine (15), robotically transferring filled cartridges from the output compartments to a buffer shelf (40); and from the buffer shelf (40) to a docking station (55) of a cartridge unloader and automatic feeder to the input of the sorting machine, and for transferring empty cartridges from the docking station to either the buffer or the output compartments of the sorter (15), is provided.





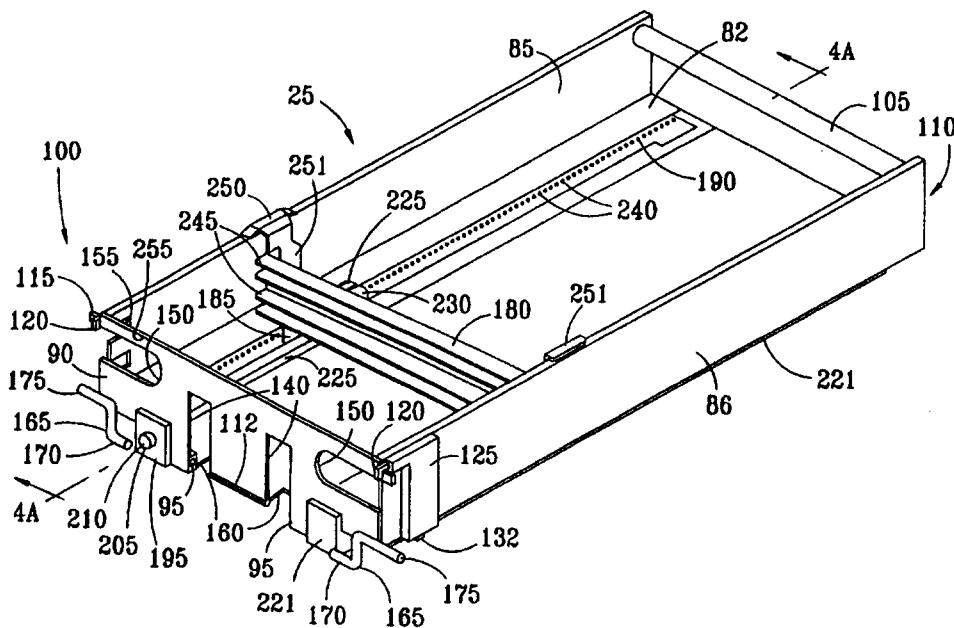
PCT

WORLD INTELLECTUAL PROPERTY ORGANIZATION
International Bureau

INTERNATIONAL APPLICATION PUBLISHED UNDER THE PATENT COOPERATION TREATY (PCT)

<p>(51) International Patent Classification ⁶ : A47F 7/00</p>	<p>A1</p>	<p>(11) International Publication Number: WO 97/36523</p> <p>(43) International Publication Date: 9 October 1997 (09.10.97)</p>
<p>(21) International Application Number: PCT/US97/05823</p> <p>(22) International Filing Date: 28 March 1997 (28.03.97)</p> <p>(30) Priority Data: 08/625,768 29 March 1996 (29.03.96) US 60/043,646 30 January 1997 (30.01.97) US</p> <p>(71) Applicant: ELECTROCOM AUTOMATION L.P. [US/US]; 2910 Avenue F, Arlington, TX 76011-5276 (US).</p> <p>(72) Inventors: HARRES, Luiz, C.; 4505 Michelle Drive, Arlington, TX 76016 (US). HICKEY, Richard, C.; 3321 Avenue N, Plano, TX 75074 (US). COMBS, Charles, M.; 1515 Valerie Drive, Cedar Hill, TX 75104 (US).</p> <p>(74) Agents: MEIER, Harold, E. et al.; Gardere & Wynne, L.L.P., Suite 3000, 1601 Elm Street, Dallas, TX 75201 (US).</p>		<p>(81) Designated States: AL, AU, BA, BB, BG, BR, CA, CN, CU, CZ, EE, GE, HU, IL, IS, JP, KP, KR, LC, LK, LR, LT, LV, MG, MK, MN, MX, NO, NZ, PL, RO, SG, SI, SK, TR, TT, UA, UZ, VN, ARIPO patent (GH, KE, LS, MW, SD, SZ, UG), Eurasian patent (AM, AZ, BY, KG, KZ, MD, RU, TJ, TM), European patent (AT, BE, CH, DE, DK, ES, FI, FR, GB, GR, IE, IT, LU, MC, NL, PT, SE), OAPI patent (BF, BJ, CF, CG, CI, CM, GA, GN, ML, MR, NE, SN, TD, TG).</p> <p>Published <i>With international search report. Before the expiration of the time limit for amending the claims and to be republished in the event of the receipt of amendments.</i></p>

(54) Title: CARTRIDGE FOR CONTAINING FLAT ARTICLES



(57) Abstract

A cartridge (25) for containing mail. The cartridge (25) is specially adapted for use in a method and apparatus for automatically stacking mail into cartridges in output compartments (20) of a sorting machine (15), robotically transferring filled cartridges from the output compartments to a buffer shelf (40); and from the buffer shelf (40) to a docking station (55) of a cartridge unloader and automatic feeder to the input of the sorting machine, and for transferring empty cartridges from the docking station to either the buffer or the output compartments of the sorter (15), is provided.

CARTRIDGE FOR CONTAINING FLAT ARTICLES

This application claims the benefit of a U.S. Application Serial
5 No. 08/625,768, filed March 29, 1996, which was converted to a provisional
application by Petition to Convert Non-Provisional Application to a Provisional
Application Pursuant to 37 C.F.R. § 1.53(b)(2) (ii), Application Serial
No. _____, filed January 30, 1997, and granted on March 14, 1997.

FIELD OF THE INVENTION

10 The present invention relates to automated handling of flat articles,
particularly automated feeding to and removal of flat articles from a sorting or
other flat article processing machine.

BACKGROUND OF THE INVENTION

Machines for automatically sorting flat articles, such as mail, into one of
15 an array of selected bins or compartments, are known. Typically, such sorting
machines have a feeding station, including an intake drive member such as a
rubber-covered wheel or belt, sensing and detecting equipment for determining
the appropriate output compartment for the article to be sorted, diverting gates or
other mechanisms and an array of output compartments or bins for the sorted
20 articles. An example of an advanced sorting machine is the DBSCII sorting
device, available from ElectroCom Automation, L.P., Arlington, Texas.

Conventionally, to feed articles into the sorting machine, an operator
manually grabs a bundle of mail to be sorted and manually shakes or jostles the
mail to generally align the bottom edges, making a stack, typically horizontal. The
25 operator then places the stack of mail against the feed member of the sorting

- 2 -

machine, which then feeds the articles into the sorting machine, one at a time, to be sorted.

At the output of the sorter, the sorted articles are routed to the appropriate compartment for each of the sorted articles and stacked. The feeding and sorting
5 of articles continues until one or more of the receiving compartments becomes sufficiently full of a stack of sorted mail. At this point, an operator will manually remove a stack of the sorted articles from the compartment and place the articles into a box for either later reprocessing through the sorting machine, transferring to another sorting machine for further sorting or transporting to a delivery person,
10 such as a mail carrier, for ultimate delivery to the intended location, if all sorting is completed.

Although automatic sorting machines have greatly speeded and improved the prior process of manual sorting, manual attention is still required to feed the flat articles into the sorting machine and to retrieve the sorted articles from the
15 output of the sorting machine. The need for such manual feeding and sweeping is undesirable for ergonomic reasons, because of the bending and reaching required. Furthermore, the need for such manual handling of the mail tends to limit the maximum benefits of automation that can be gained from the sorting machine.

20 OBJECTS OF THE INVENTION

Accordingly, it is an object of the present invention to minimize the ergonomic problems and reduce manpower requirements by automating the feeding and retrieving of flat articles from a flat article sorting machine or other flat article processing machine.

- 3 -

It is a further object of the present invention to provide a cartridge for receiving and holding the flat articles in an orderly manner, which can be readily handled and transferred by either a robotic cartridge handling and transfer device or by a human operator, if necessary.

5 It is a further object of the present invention to provide a cartridge that will readily dock onto a receiving dock of a feeding device and can be inserted into the output compartments of a sorting machine to directly receive sorted articles in an orderly stack, so that the cartridge containing the stacked flat articles is readily removed from the sorting machine.

10 It is a further object of the present invention to provide an automatic unloading apparatus and method for removing stacks of flat articles from a cartridge and for queuing the stacks for feeding to a sorting machine.

15 It is a further object of the present invention to provide a method and apparatus for automatically stacking flat articles into a cartridge at the output of a sorting machine.

20 It is a further object of the present invention to provide a robotic cartridge transfer system for automatically removing cartridges containing a stack of flat articles from the output compartment of a sorting machine, when the cartridge has reached a desired stage of filling, and to transfer the cartridge to a buffer storage shelf or the receiving dock of the same or a different sorting machine for resorting.

It is a further object of the present invention to provide a feed-through jogging/edging apparatus for automatically edging flat articles prior to entrance to a document feeder.

- 4 -

It is a further object of the present invention to provide a system for dynamic compartment allocation that automatically redesignates a different output location when it is desired to remove a cartridge filled with sorted articles so that the sorting machine continues to sort into the redesignated output location even
5 when designated output compartments have been filled, when the cartridge has either not yet been removed or is still in the process of being removed from the output compartment of the sorting machine.

It is a further object of the present invention to provide a system for allocation of output compartments which groups high-occurrence destinations
10 together to maximize efficiency of cartridge removal, based on probability of occurrence of the particular destinations.

SUMMARY OF THE INVENTION

Cartridge

In accordance with the present invention, a cartridge for stacked flat
15 articles includes:

a container comprising a bottom, sides and an openable front door supporting a stack of flat articles, a longitudinally slidably mounted stack support paddle resiliently urged against the stack of articles, said stack support paddle further including actuators for external sensors for determining the position of said
20 stack support paddle.

In a preferred embodiment, the cartridge further includes a lock for selectively securing the stack support paddle to prevent movement of stack support paddle when the lock is engaged, the lock including an external actuator for disengaging the lock when the cartridge is mounted in a cartridge receiving

- 5 -

dock and disengaging the lock when the cartridge is removed from the receiving dock.

In a further preferred embodiment, the door includes a cam follower for opening and closing the door as a result of relative movement between a fixed
5 external cam and the cam follower.

Autofeeder

In accordance with a preferred embodiment of the present invention, a method for transferring a stack of flat articles from a cartridge having an openable door includes:

- 10 placing a cartridge onto a cartridge receiving dock;
- opening the cartridge door while supporting the stack of articles; placing a front stack support finger that moves with the stack to support the stack of flat articles engaging the stack of articles with a movable paddle; and
- moving the paddle forwardly to push the stack forwardly, while supporting
15 the front of the stack with the front stack support finger to retain the stack of flat articles between the front stack support finger and the movable paddle during movement of the stack from the cartridge.

The method further comprises:

- moving a rear stack support finger between the movable paddle and the
20 rear of the stack of flat articles; moving the front and rear stack support fingers with the stack retained between thereby moving the stack behind a previously queued stack of articles the moved stack becoming a newly queued stack;
- moving a queued stack support from between the previously queued stack and the newly queued stack to a position behind the newly queued stack; and

- 6 -

moving the front and rear fingers back to respective starting positions.

In accordance with a preferred embodiment of the present invention, apparatus for transferring a stack of flat articles from a cartridge having an openable door includes:

5 hold bars for supporting the front of the stack of flat articles when the door is opened;

a cam and cam follower for opening the door when the hold bars are in place;

10 front fingers for supporting the front of the stack during removal thereof from the cartridge; and

a pusher for pushing the stack forwardly, to cause the stack to be moved from the cartridge.

In accordance with the present invention, the apparatus further comprises:

rear fingers for supporting the rear of the stack of flat articles;

15 a queuing station, including a queued stack support for supporting the rear of a queued stack of flat articles;

In accordance with a preferred embodiment of the present invention, there is provided an apparatus for transferring a stack of flat articles from a cartridge having an openable door and a longitudinally slidable rear stack support paddle for supporting a rear of the stack, and queuing the stack for feeding to a flat article processing machine, further including:

20

a movable mechanical arm for placing the cartridge on and removing the cartridge from a receiving dock;

- 7 -

hold bar for supporting the front of the stack while the door is opened; a cam for opening the door by means of relative movement between a cam on the receiving dock and a cam follower on the door as the cartridge is placed on the receiving dock and for closing the door when the cartridge is removed from the receiving dock;

5

a front finger for supporting the front of the stack during removal thereof from the cartridge;

a drive for placing the front finger in front of the stack for support thereof when the hold bar is removed;

10

a pusher positionable behind the stack of flat articles; and

a drive for moving the pusher forwardly, to push the stack forwardly, to move the stack out of the cartridge.

In accordance with the invention, the apparatus further comprises:

15

a drive for moving the front finger from the receiving dock to a queuing station along with the stack of flat articles;

a rear finger for supporting the rear of the stack;

a drive for placing the rear finger between a longitudinally slidable rear stack support paddle and the rear of the stack;

20

a queuing station, including a queued stack support for supporting the rear of a queued stack;

a drive for moving the rear finger with the stack, to retain the stack between the front finger and the rear finger during movement;

- 8 -

a drive for moving the queued stack support from between a previously queued stack and a newly queued stack to a position behind the newly queued stack; and

5 a drive for moving the front and rear fingers away from the stack to permit movement of the front and rear fingers to respective starting positions.

Autostacker

In accordance with a preferred embodiment of the present invention, a method for transferring flat articles from an article processing machine to a cartridge in an output compartment includes:

10 moving articles toward an open end of a cartridge docked at an output compartment, said cartridge having a longitudinally slidable rear stack support paddle;

guiding the articles into the cartridge to form a stack of articles in the cartridge;

15 determining when the cartridge should be removed from the output compartment;

discontinuing the movement of articles into the cartridge when the cartridge is to be removed from an output compartment;

20 closing a door of the cartridge while supporting the stack in an upright position; and

removing the cartridge from the output compartment.

In accordance with another embodiment of the present invention, an apparatus for transferring flat articles from an article processing machine to a cartridge in an output compartment includes:

- 9 -

a transport for moving articles toward an open end of a cartridge docked at an output compartment, said cartridge having a longitudinally slidable rear stack support paddle;

5 an article guide for guiding articles into the cartridge in a stack of articles in the cartridge;

a sensor for determining when a cartridge should be removed from the output compartment;

a controller for discontinuing the movement of articles to the cartridge when the cartridge is to be removed from an output compartment;

10 an actuator for closing a door to the cartridge while supporting flat articles in the stack in an upright condition; and

a drive for removing said cartridge from said output compartment.

Further in accordance with the present invention, an apparatus for transferring flat articles from an article processing machine to a cartridge in an output compartment includes:

15 a drive for moving articles toward an open end of a cartridge docked at an output compartment, said cartridge having a longitudinally slidable rear stack support paddle;

20 a sweep gate for guiding articles into the cartridge in a stack of articles in the cartridge;

a sensor for determining when a cartridge should be removed from the output compartment;

an actuator for discontinuing the movement of articles to the cartridge when the cartridge is to be removed from an output compartment;

- 10 -

a cam on the output compartment for closing the cartridge door by means of relative movement between the cam and the door; and

a mechanical arm for removing the cartridge from the output compartment.

Jogger

5 In accordance with an embodiment of the present invention, apparatus for aligning the bottom edges of flat articles includes: a plurality of spaced apart, generally vertical fingers, forwardly translatable while supporting groups of flat articles, each finger being rockable back and forth through a vertical centerline as the fingers are forwardly translated to jostle the articles to align the bottom edges
10 thereof.

Also in accordance with the present invention, the apparatus as defined above further comprises a plurality of fixed cam lobes, with the fingers having a cam follower mounted thereon to ride over the cam lobes as the fingers are forwardly translated, thereby to impart a back and forth rocking motion through
15 a vertical centerline as the fingers are forwardly translated.

Robot

In accordance with an embodiment of the present invention, apparatus for automatically inserting and removing cartridges from an article processing machine includes: a cartridge holding platform;

20 an X-Y positioning device mounted to the cartridge holding platform for positioning the cartridge holding platform at a specified location for delivering or retrieving a cartridge;

a cartridge capturing arm including extendible arms for extending to and supporting the cartridge; and

- 11 -

a drive for moving a hold bar into and out of the cartridge.

Further in accordance with the present invention, the cartridge holding platform is rotatable about a vertical axis.

5 Also in accordance with the present invention, the cartridge holding platform is rotatable about a horizontal axis to align the extendible arms with the cartridge.

Further in accordance with the present invention, the X-Y positioning device comprises a robot that includes an end effector for actuating a stack shover into an output compartment.

10 Overall System with Buffer

In accordance with an embodiment of the present invention, a method for sorting and feeding flat articles includes: placing a cartridge retaining a stack of flat articles onto a cartridge receiving dock;

removing the articles from the cartridge as a group;

15 moving the articles as a group to a feeding station of a sorter;

sorting the articles to selected ones of a plurality of output compartments, each of the output compartments having a cartridge contained therein;

moving articles into a selected cartridge in one of said plurality of compartments and as a stack in the cartridge;

20 sensing when the cartridge should be removed from an output compartment; and

discontinuing movement of articles into the cartridge when the cartridge is to be removed from an output compartment.

In accordance with this embodiment, the method further comprises:

- 12 -

moving the cartridge from the output compartment to a buffer shelf for temporary storage.

Further in accordance with the present invention, an apparatus for sorting and feeding flat articles includes: a cartridge receiving dock receiving a cartridge
5 holding a stack of flat articles;

a pusher for removing articles as a group from the cartridge;

a transport for moving groups of articles to a feeding station of a sorter;

an article sorter for sorting articles to selected ones of a plurality of output compartments, each of the output compartments having a cartridge contained
10 therein;

a transport for driving articles into a selected cartridge in one of the plurality of compartments to a stack in the cartridge;

a sensor for determining when a cartridge should be removed from an output compartment; and

15 a controller for discontinuing the movement of articles into the cartridge for removal from an output compartment.

In accordance with this embodiment, the apparatus further comprises a platform for removing the cartridge from an output compartment and placing the cartridge in a buffer shelf.

20 Also in accordance with the present invention, an apparatus for sorting and feeding flat articles includes:

a cartridge having a longitudinally slidable rear stack support paddle for supporting the rear of a stack of flat articles;

- 13 -

a mechanical arm for positioning the cartridge, containing a stack of flat articles, at a cartridge receiving dock;

a cam for opening a door of said cartridge by means of relative movement between the cartridge and the cartridge receiving dock;

5 a hold bar insertable into the cartridge between the door and a front of the stack of articles for supporting the front of the stack to maintain a desired orientation of the stack;

a front finger positionable at the front of the stack of flat articles and a rear finger positionable at the rear of the stack;

10 a drive for moving the hold bar away from the stack prior to moving the stack of flat articles from the cartridge;

a drive for moving the front and rear fingers from the cartridge to move the stack of flat articles to a feeder station;

15 a feeder for feeding articles from a queued stack into a sorter having a plurality of output compartments, each output compartment having a cartridge therein;

a drive for moving said articles into a selected cartridge in one of the plurality of compartments;

20 a sweep gate for guiding articles into a cartridge as a stack of articles in the cartridge;

a sensor for when a cartridge should be removed from an output compartment;

a controller for disabling the movement of articles into the cartridge when the cartridge is to be removed from an output compartment;

- 14 -

an actuator for moving the sweep gate to a front of the stack;

a cam on the output compartment for closing the cartridge door by means of relative movement between the cam and the door; and

5 a mechanical arm for removing the cartridge from an output compartment for placement in a buffer shelf.

Also in accordance with the present invention, a method for sorting articles into cartridges includes: determining the frequently used output compartments containing cartridges; and

10 designating the most frequently used output compartments proximate to one another.

Further in accordance with this embodiment, the method further allocating compartments in a buffer shelf proximate to one another for receiving cartridges from the most frequently used output compartments.

BRIEF DESCRIPTION OF THE DRAWINGS

15 For a more complete understanding of the present invention and the advantages thereof, reference is now made to the following DETAILED DESCRIPTION taken in conjunction with the accompanying drawings in which:

FIGURE 1 is a perspective view of a mail cartridge handling system in accordance with the present invention, for a mail sorting machine;

20 FIGURE 2 is a perspective view of an autofeeder system for the mail sorting machine of FIGURE 1;

FIGURE 3A is a perspective view of a cartridge for use in the autofeeder system of FIGURE 2, depicted with the cartridge door closed;

- 15 -

FIGURE 3B is a perspective view of the cartridge of FIGURE 3A, with the cartridge door opened;

FIGURE 3C is a perspective view of the front end of the cartridge of FIGURE 3A entering the receiving dock of the autofeeder system of FIGURE 2;

5 FIGURE 3D is a perspective view of the front end of a cartridge of FIGURE 3A, during docking in the receiving dock of the autofeeder system of FIGURE 3A;

10 FIGURE 4A is a schematic section view, taken on the line 4A-4A of FIGURE 3A, illustrating a ratchet carriage assembly for selectively locking a cartridge rear stack support paddle in place, in the locked position;

FIGURE 4B is a schematic section view, taken on the line 4A-4A of FIGURE 3A, illustrating the ratchet carriage assembly for selectively locking the cartridge rear stack support paddle in place, in the unlocked position;

15 FIGURE 5 is a side view, partly in phantom, of the front portion of a cartridge of FIGURE 3A illustrating the sequence of opening of the cartridge door in three stages: 1) with the door closed, as the cartridge reaches the receiving dock; 2) with the door opening by means of a cam on the receiving dock as the cartridge is moved further onto the receiving dock; and 3) with the door fully opened when the cartridge is fully docked on the receiving dock;

20 FIGURE 6 is a perspective view, partly in phantom, of an X-Y robotic cartridge handling and transfer apparatus in accordance with the present invention;

FIGURE 7 is a top view of the cartridge support platform of the robotic cartridge handling and transfer apparatus of FIGURE 6;

- 16 -

FIGURE 7A is a side view taken along the line A-A of FIGURE 7 of the cartridge support platform of FIGURE 7;

FIGURE 7B is a side view taken along the line B-B of FIGURE 7A of the cartridge support platform of FIGURE 7;

5 FIGURE 8 is a side view, partly in phantom, of the cartridge support platform of FIGURE 7 showing the extendible arm and stack support, with a release finger in the retracted position;

 FIGURES 9 and 9A-9M are schematic illustrations of a sequence of operations for docking a cartridge to the autofeeder of FIGURE 2, unloading a
10 stack of mail, removing the cartridge, and queuing the stack of mail;

 FIGURES 10A-10I are schematic illustrations of a sequence of operations for the docking of a cartridge onto the cartridge receiving dock of the autofeeder system of FIGURE 2, the unloading of the cartridge, and the removing of the cartridge from the dock;

15 FIGURES 11A-11L illustrate a sequence of operations for the robotic cartridge handling and transfer apparatus of FIGURE 6 moving cartridges between a buffer shelf, the autofeeder of FIGURE 2, and the output compartments of a sorter of the mail sorting machine of FIGURE 1;

 FIGURES 12A-12D show a perspective of the sequence of operations for
20 automatically stacking flat articles into a cartridge in an output compartment of a sorter of the mail sorting machine of FIGURE 1, depicting stacking, moving the stack into the cartridge movement and insertion of hold bars to the front end of the stack, and removal of the cartridge from the output compartment;

- 17 -

FIGURES 13A-13I are schematic depictions of a sequence of operations for the docking of an empty cartridge into an output compartment of the sorter of the mail sorting machine of FIGURE 1, the stacking of flat articles into the cartridge, and removing of a filled cartridge from the output compartment;

5 FIGURE 14 is a perspective view of an X-Y robotic cartridge transfer support platform for the apparatus of FIGURE 6, having dual cartridge support platforms;

FIGURE 15 is a side view, partly in phantom, of a feed-through jogger for use in connection with the mail sorting machine of FIGURE 1;

10 FIGURE 16 is a top view of the feed-through jogger of FIGURE 15, partly in phantom;

FIGURE 17 is an end view of the feed-through jogger of FIGURE 15, partly in phantom, showing the drive elements for the rotating lobed shafts; and

15 FIGURE 18 is a side view, partly in phantom, of a section of an improved feed-through jogger in accordance with an embodiment of the present invention, showing the cam track and cam followers for causing back and forth rocking.

DETAILED DESCRIPTION

Referring now to the drawings in detail, wherein like reference characters
20 designate like or similar parts throughout the views, and initially to FIGURES 1 and 2 thereof, a flat article handling system 10 is depicted. The article handling system 10 includes a sorter 15 and an array 19 of output compartments 20 arranged in rows and columns, each being adapted to receive a cartridge 25 into which mail (or other flat articles) may be automatically stacked. The article

- 18 -

handling system 10 also includes an X-Y cartridge transfer and handling robot 30 having a cartridge support platform 35 for transferring cartridges between components of the system. The article handling system 10 preferably also includes a buffer shelf 40 (the rear is depicted in FIGURE 1) having an array of compartments 45 for temporarily receiving and storing filled and unfilled cartridges 25. The article handling system 10 also preferably includes an autofeeder 50, including a cartridge docking station 55, a queuing station 60, and a jogging/edging station 65 leading to a feeding station 70. It will be understood that, although, for convenience, the term "mail" will often be used herein to refer to the flat articles being handled in accordance with the method and apparatus of the present invention, it is to be expressly understood that flat articles other than mail, including, for example, magazines and books, can also be handled.

The major components of the system will now be described in turn, beginning with the construction of a cartridge 25.

15 Cartridge

Referring now to FIGURES 3A-3D, 4A, 4B and 5, cartridge 25 is designed to hold a horizontal stack 75 (FIGURE 2) of pieces of mail (or other flat articles), to interface with the other parts of the system and to facilitate manipulation by the X-Y cartridge transfer and handling robot 30. The cartridge 25 can also be readily manipulated, carried and moved by humans, when desired.

The cartridge is generally rectangular, with a generally flat bottom 82, generally flat side walls 85 and 86, a cartridge door 90 pivotable downwardly on hinges 95 at a front end 100, and a handle 105 at a rear end 110. Preferably, the cartridge door 90 is spring-loaded by a spring 112 into the closed position. The

- 19 -

handle 105 may simply be a bar, leaving the rear end 110 otherwise open. The rear end 110 may also be closed with a wall, if desired, but such is not required. Preferably, the cartridge 25 is in the range of about 23 inches long, 13 inches wide and 5 3/8 inches high, and holds from 0 to 18 inches of stacked mail. Of course, any convenient size of cartridge can also be used, depending upon the flat articles to be handled and the capacity desired.

The cartridge door 90 preferably covers the entire front end 100 of the cartridge 25 so that when the door is open, a stack of mail can be removed without obstructions or edges to "catch" the pieces of mail. The cartridge door 90 includes a latch bar 115 on the left and right upper corners, which is adapted to mate with a latch 120 pivotally mounted in a latch housing 125 on either side of the cartridge 25. As best illustrated in FIGURE 5, a latch release 130 (preferably a push rod) is retained within the latch housing 125, and spring-loaded by means of a spring 126 to urge the latch 120 into the closed position. As shown in FIGURE 5, the bottom end 132 of the latch release 130 extends through the bottom of the latch housing 125.

As seen in FIGURE 5, as a cartridge 25 is inserted in the cartridge docking station 55 (or into an output compartment 20 in the article handling system 10 the bottom end 132 of the latch release 130 rides over a ramp or unlocking cam 135 on the cartridge docking station 55, and is pushed upward, thus lifting latch 120 and releasing the cartridge door 90 so that it can be opened.

The cartridge door 90 includes two open notches 140, extending from the bottom edge of the door to about its middle. The open notches 140 permit a set of hold bars 145 in docking station 55, as depicted in FIGURES 2 and FIGURES

18525-528

PCT/US 97 / 05823

IPER 28 OCT 1997

-20-

3C and 3D, to pass through the cartridge door 90 and press against the stack of mail, while permitting the door to open around hold bars 145 (in a manner to be described more fully below). In this way, the front end of the stack of mail (i.e., the end closest the door) can be supported temporarily by the hold bars 145 while

5 the door is opened, so that the front end of the stack in the cartridge is held in place when the door is opened. The hold bars 145 are preferably motorized, and preferably under computer control, so that the hold bars are selectively raised and lowered. Hold bars 145 are also preferably movable in a back and forth direction in the cartridge 25, which may be provided either by a spring (not shown) urging

10 the hold bars in the direction of the cartridge, or by a motor. Although two hold bars 145 are depicted, one or any other number may also be used.

It should be understood that cartridge door 90 may also be hinged at either the top or side, although a hinge at the bottom is preferred. If a hinge on the top is used, of course, the cartridge must be sufficiently tall to avoid interference with

15 the top of the mail as it is removed. A sliding door may also be employed.

It should also be understood that the function of holding up the front end of the stack 75 of mail during opening (or closing) of the cartridge door 90 can also be accomplished by means other than the set of hold bars 145. For example, in lieu of the hold bars, a set of curved fingers external to the cartridge

20 could be rotated into the cartridge through holes 150, to press on and hold the leading face of the mail stack, and the door opened around the curved finger or fingers. Alternatively, a finger or set of fingers could be extended from the side into the cartridge through slots 155 in the side wall 85 or slots 160 in the bottom

- 21 -

of the cartridge. The door 90 is then provided with appropriate channels in the interior face (similar to the open channels 245 in the front face of a rear stack support paddle 180), to receive the fingers without interference with the front of the mail stack. Fingers built into the cartridge, behind the door (either spring-
5 loaded or externally actuated), or in the door itself, may also be employed.

The cartridge door 90 is fitted with an S-shaped cam follower 165 at the lower left and right corners. Although a symmetrical cam follower at each of these corners is preferred, for reducing twisting stresses on the door, one alone may be employed.

10 Referring to FIGURES 3C, 3D, and 5, to begin the motion of opening the door 90, the lower free end 170 of each cam follower 165 is designed to engage a first wedge or cam 172 in the docking station 55 as the cartridge is inserted into the docking station 55 (or an output compartment 20). The upper free end 175
15 of the cam follower 165 is designed to engage a second wedge or cam 177 in the docking station 55 as the cartridge 25 is inserted into the docking station 55 (or an output compartment 20), to complete opening the door 90 to approximately 135 degrees or more, so as to clear obstructions in the receiving dock, or the output compartments 20. This is more clearly depicted in FIGURES 3C and 3D.

20 FIGURE 5 depicts, moving right to left, and somewhat overlapping, three stages of opening the door 90 by the cams 172 and 177: (1) closed, beginning opening; (2) fully opened, cartridge partially docked; and (3) fully opened, cartridge fully docked, with the first and second cams operating on the lower and upper ends 170 and 175 of the cam follower 165 as indicated, the different stages

- 22 -

being separated by alternatingly dotted lines. Of course, as the cartridge 25 is removed, the process is reversed, closing the cartridge door 90.

5 The internal, spring-loaded rear stack support paddle 180 is included in the cartridge 25 to hold the stack 75 upright at the back end of the cartridge 25, and to apply a small degree of force to the stack to keep the stack upright. As illustrated in FIGURES 3A, 3B, 4A and 4B, the rear stack support paddle 180 is mounted to a carriage assembly 185 slidably mounted through a slot 190 in the bottom 82 of the cartridge, in an upwardly open channel 195 attached to the underside of the bottom 82. Carriage assembly 185 slides on linear recirculating ball bearings riding on a round shaft 200 longitudinally disposed in the open channel 195 so that the carriage assembly slides smoothly forward and backward in the open channel 195. In lieu of the recirculating ball bearings, telescoping ball bearing slides, such as found on furniture drawers, may be used. In addition, plastic or PTFE bushings, or other expedient means for longitudinal bearings or bushings, can be used.

10

15

The round shaft 200 extends through slots 205 at each end of the open channel 195, and is loosely secured by keeper washers (not shown) and longitudinally spring-mounted within the open channel 195 to be urged forwardly by a spring 181. The front end 210 of the round shaft 200 extends through the front of the channel and is engaged by a push rod (not shown) in the docking station 55 or output compartment 20 when the cartridge 25 is docked. This action pushes the shaft 200 longitudinally inwardly against the force of the spring 181. The round shaft 200 is mounted to be movable sideways to a degree in the slots 205, and includes a cam follower 215 adapted to ride on a wedge-shaped cam

20

- 23 -

guide or slot 220 at each end of the open channel 195. A similar sized channel 221 (see FIGURES 3A, 3C and 3D) is included underneath the bottom 82 to maintain symmetry, but does not have an open slot or internal mechanisms.

The rear stack support paddle 180 is urged forwardly by a "constant force" spring 225 having one end attached to and wound onto a spool 230 mounted to the back side of the rear stack support paddle 180, the other end 231 is attached to the bottom of the cartridge 25, near the front end. The spring force is preferably approximately 1.4 pounds on the paddle 180 toward the cartridge door 90.

When the cartridge 25 is removed from either the docking station 55 or an output compartment 20, the internal rear stack support paddle 180 is locked in place by a ratchet mechanism that prevents the paddle from moving away from the cartridge door 90, which might result in the stack of mail to falling or becoming disorganized. To accomplish this, the carriage assembly 185 includes ratchet teeth 235 adapted to be selectively engage a rack or series of holes 240 on one side of the channel 195. When the front end 210 of the round shaft 200 is pushed inwardly by the push rod or by an end wall 285 on the docking station 55 or an end wall of output compartment 20, against the force of the spring 181 at the back end of the round shaft 200, the cam followers 215 on each end of round shaft 200 ride against the wedge-shaped cam surface 220, causing the round shaft to move sideways in the slots 205, until the ratchet teeth 235 on the carriage assembly 185 become disengaged. When the front end 210 of the round shaft 200 is disengaged from the push rod, the force of the spring 181 on the shaft returns the shaft longitudinally, and sideways, to its original position, engaging the

- 24 -

ratchet teeth 235 with the rack or series of holes 240 in the channel 195, and locking in place the rear stack support paddle 180.

The rear stack support paddle 180 preferably has forwardly open channels 245 to permit the entrance of fingers from the side into the open channels 245, between the stack of mail and the front face of the paddle, without becoming entangled with the mail. As shown in FIGURE 3B, notches 155 in the front of side 85 allow the entrance of fingers from the side when the paddle 180 is at the front end 100.

The rear stack support paddle 180 includes a switch actuating extension 250 on the inboard side (on top of side wall 85) on the upper end of a side support member 251. The switch actuating extension activates external switches (not shown) in the output compartment 20 to signal to the article handling system 10 that the cartridge 25 is either full or partly full of mail and ready for removal, or to indicate the relative degree of filling. The switch actuating extension 250 is also used at the cartridge receiving docking station 55 to signal that the rear stack support paddle 180 has moved forward during the mail removal operation, and to sound an alarm (or take other appropriate action) if such has not occurred. Although the actuating extension 250 preferably actuates a switch mechanically, any suitable sensor (such as photoelectric detector) for determining the location (absolute or relative) of the rear stack support paddle 180 may be employed.

For reasons of economy, the construction of the body of the cartridge 25 is preferably reinforced injection molded plastic. The rear stack support paddle 180, cartridge door 90, door latches 120, carriage assembly 185, and other

- 25 -

moving components are preferably steel for reasons of strength and durability, but may be made of other suitable materials, if desired.

Autofeeder

With initial reference to FIGURES 1, 2, 3B, 3C and 5, there is illustrated the autofeed system 50, for receiving cartridges 25 filled with stacked mail and automatically removes the stack from the cartridge, queues the mail, preferably jogs and edges the mail, and feeds the mail to the input feed station of a sorter 15. The autofeeder 50 includes the docking station 55 for receiving a mail-filled cartridge 25, a mail stack unloader 275 operating between the docking station 55, the queuing station 60, and the jogger/edging station 65, leading to the feeding station 70 of sorter 15. These will be described in turn.

1. Docking Station

The docking station 55 includes a receiving shelf 280, a receiving channel 290 in the shelf for receiving the cartridge door 90 without interference, the cartridge door latch unlocking cam 135 and the cartridge door opening lower cam 172 and upper cam 177 (shown in FIGURES 3C, 3D and 5, but not FIGURES 1 or 2), which are laterally displaced from one another to line-up when the cartridge 125 is inserted with the lower cam follower 170 and upper cam follower 175. In addition, cartridge alignment guides (not shown) preferably guide channels 195 and 221 on receiving shelf 280 into the dock end wall 285. The two hold bars 145 are provided in the docking station 55, extending upwardly from a common vertical member.

A cartridge 25 with a horizontal stack 75 is placed onto the receiving shelf 280 and moved forwardly to the end wall 285 by automated or manual means.

- 26 -

Referring to FIGURE 5, beginning with position (1), as the cartridge 25 slides forward, the unlocking cam 135 in the docking station 55 actuates the bottom end 132 of the latch release 130, which in turn lifts latch 120, thereby releasing the latch from the latch bar 115, thus unlocking the cartridge door 90. As the cartridge 25 continues to move forward (to the left, in the figures) on the receiving shelf 280, the lower cam follower 170 strikes the face of cam 172, to cause the door 90 to begin opening. The door continues to open as the cartridge moves forward, until the door is open about 90 degrees from the closed position. At this point, upper free end 175 of the cam follower 165 is low enough to ride under the wedge of the cam 177. As the cartridge continues to move forward to position (2), the wedge of cam 177 continues to open the door 90, until the door is open about 135 degrees from the closed position, that is, a fully open position. The upper free end 175 of the cam follower 165 then continues under the straight part of cam 177 until the front end 100 of the cartridge is abutted against the dock end wall 285, thereby unlocking the rear stack support paddle 180 by operation of the round shaft 200. The mail stack 75 can now be removed from the cartridge 25, by pushing the rear stack support paddle 180 forward, over a feeder bar 295 on the top of the dock end wall 285 (see FIGURES 3C and 3D).

At the same time as the cartridge 25 is being inserted, and just before the door is unlocked and begins to open, hold bars 145 are raised from the docking station 55, as indicated by the arrows by an actuator (not shown), to pass through open notches 140 in the cartridge door 90 as the cartridge moves forward. The hold bars 145 are spring-loaded to exert a force on the front surface of the stack of mail, while permitting the hold bars 145 to move with the cartridge as it moves

- 27 -

forward. The hold bars 145 are mounted to move forward at the same speed as the cartridge. As the cartridge door 90 opens the hold bars 145, passing through open notches 140, hold the front pieces of mail in place, keeping the stack from falling as the door is opened. As previously mentioned, just as the cartridge abuts
5 the dock end wall 285, the front end 210 of the round shaft 200 strikes the dock end wall, to unlock the rear stack support paddle 180 in preparation for unloading of the mail stack from the cartridge. The insertion of a cartridge onto the receiving shelf 280, and the opening of the cartridge door 90 around the hold bars 145, are schematically depicted, stepwise in order, in FIGURES 9, 9A and 9B.

10 Referring to FIGURE 2, a stack unloader 275 is used to support and remove the stack of mail from the cartridge 25 after it is docked, and move the stack to the queuing station 60. The unloader 275 includes a rear finger carriage 300 and a front finger carriage 305 mounted on guide rails 310 and 315 running parallel to the length of the autofeeder 50, behind a slotted stack support wall
15 320. Each of the finger carriages 300 and 305 is independently movable longitudinally along the guide rails 310 and 315 between the docking station 55 and the queuing station 60 by means of drive motors (not shown), preferably under computer control.

Each of the finger carriages 300 and 305 includes a set of fingers, 325 and
20 330, respectively, that are mounted to be extended and retracted, in and out from the respective carriage 300 or 305, through the slotted stack support wall 320.

The rear finger carriage 300 also includes a rotatable stack pusher 335, preferably generally in the form of a hook, and mounted to be rotatable into, and

- 28 -

out of, the open top of the rear end of the cartridge 25, behind rear stack support paddle 180.

With particular reference to FIGURES 9C to 9M, the operation of the unloader 275 will now be described. It is understood that, prior to the position depicted in FIGURE 9C, the fingers 325 and 330 of the finger carriages 300 and 305 have been retracted, the stack pusher 335 raised, and both finger carriages 300, 305 moved rearwardly, with rear finger carriage 300 adjacent the rear end of the cartridge 25 and front finger carriage 305 adjacent the front end of the cartridge, such that when the fingers 330 are extended the hold bars 145 (when in the stack holding position) will be between the fingers 330 and the rear stack support paddle 180.

As soon as the cartridge 25 is fully docked, the fingers 330 of the front finger carriage 305 are extended through the slotted stack support wall 320, just in front of hold bars 145, as shown in FIGURE 9C. Next, as depicted in FIGURE 9D, the hold bars 145 are retracted, out of the way. The front end of the mail stack is now supported by fingers 330. At about the same time, or just after, the pusher 335 is rotated down into the open top of the rear end of the mail cartridge 25, behind the rear stack support paddle 180, and the rear finger carriage 300, with the fingers 325 still retracted, is moved forward until the pusher 335 just contacts the back of rear stack support paddle 180.

The rear finger carriage 300, with the pusher 335 down, is then driven forward, pushing the rear stack support paddle 180 and the stack of mail, while at the same time the front finger carriage 305 with the fingers 330 extended, is driven forward, with the mail stack 75 retained between the extended fingers and

- 29 -

the rear stack support paddle 180, until the rear stack support paddle is all the way to the front of, or just out of, the front end of cartridge 25. Because of the built-in spacing between the pusher 335 and fingers 325, at this point, the fingers 325 (still retracted) are positioned directly adjacent the forwardly open channels 245 of the rear stack support paddle 180. As illustrated in FIGURE 9E, the rear finger carriage 300 then extends the fingers 325 into the forwardly open channels 245 of the rear stack support paddle 180, between the support paddle and the rear end of the mail stack 75, without interfering with the mail. The mail stack is now supported between the fingers 325 of the rear finger carriage 300 and fingers 330 of the front finger carriage 305. The pusher 335 is then rotated up out of the cartridge 25.

2. Queuing Station

At this point, both front and rear finger carriages 300 and 305, with the respective fingers extended, are moved in unison longitudinally along the guide rails 310 and 315, sliding the mail stack from the docking station 55 to the queuing station 60, as illustrated in FIGURES 9F-9I, where a previously placed stack of mail 75' is held in place by a queuing station paddle 340. The queuing station paddle 340 is longitudinally movable and rotatable on a guide shaft 341.

It should be noted that, in FIGURE 9G, an optional tilting edging table 345 is depicted as a part of the queuing station 60. The edging table 345 is mounted to tilt and vibrate, to help edge and move the mail to the slotted stack support wall 320. However, this tilting edging table 345 is not required if the article handling system 20 includes the jogging/edge station 65, or other means for ensuring that

- 30 -

the mail is feed in an orderly manner to the feeding station 70. The jogging/edging station 65, to be described in more detail below, is preferred.

At this time, the now-empty cartridge 25 is removed from the docking station 55 by manual or automatic means. Of course, as it does so, the cartridge door 90 is closed, latched and the rear stack support paddle 180 locked, in reverse order to the operation that occurred when the cartridge was inserted.

When a mail stack 75 from the cartridge 25 reaches the queuing station 60, the queuing station paddle 340 engages the fingers 330 of the forwarding mail stack 75, as illustrated in FIGURE 9I. The fingers 330 maintains pressure on the mail stacks 75 and 75', and the queuing station paddle 340 is rotated from between the two stacks (the previously placed stack 75' and the arriving stack 75), as shown in FIGURE 9J. The queuing station paddle 340 is then moved on the guide shaft 341 until positioned just behind the fingers 325 of the rear finger carriage 300 and is then rotated into position behind the fingers 325, as depicted in FIGURE 9K. The fingers 330 of the front finger carriage 305 are then retracted into the carriage, leaving the stacks 75' and 75 abutted together, forming a "new" previously placed stack 75', as illustrated in FIGURE 9L. The fingers 325 are then retracted into the rear finger carriage 300, leaving the arriving stack 75 (now a part of "new" stack 75') supported by the queuing station paddle 340, the starting point of the process, as depicted in FIGURE 9M. At this point, both the front and rear finger carriages 300 and 305 are free to move back to the docking station 55, to prepare to unload another stack of mail from a cartridge 25 and the process repeats.

18525-528

PCT/US 97 / 05 8 2 3
FEB 23 OCT 1997

-31-

Referring again to FIGURE 2, the stack of mail 75' in the queuing station 60 is moved by the queuing station paddle 340 to the jogger/edging station 65, where the mail is jostled to align the bottom edges of the mail in an orderly fashion, and to urge the inside edge of each piece of mail toward a back wall 345.

5 The construction and operation of the jogger/edging station 65 will now be described below.

3. Feed-Through Jogger/Edger

The jogger/edging station 65 preferably employs a feed-through upstanding tab jogger/edger 350 or an improved rocking tab jogger/edger 350'. With initial
10 reference to FIGURE 2 and FIGURES 15-17, jogger/edger 350 has several rows (three, for example, as shown) of vertical tabs 355 mounted at their lower edge to a continuous chain 357 rotatable between two sprockets 358. The continuous chain 357 is driven by a motor 358 (visible in FIGURE 15) through a belt drive 354 so that the vertical tabs 355 gradually move counterclockwise, carrying small
15 pockets of mail (approximately 5-10 pieces) in a generally vertical orientation toward the feeding station 70 of the sorter 15.

A lobed shaft 360 extends longitudinally in the feed direction, one lobed shaft 360 in between each row of tabs 355, and one between the inward-most row of tabs 355 and the back wall 345. Lobed shafts 360 are rotated in a clockwise
20 direction, facing in the feed direction by a drive motor 359 through a belt or chain 361 in conjunction with the feeder/edger 350, to impart a bouncing motion to the bottom edges of the mail to tend to singulate the mail pieces, and to gently urge the mail through friction toward the back wall 345. At the back wall 345 there is

AMENDED SHEET

18525-528

PCT/US 07/05825

IPERME 28 OCT 1997

-32-

rotatably mounted a lobed shaft 365 that rotates counterclockwise to urge the back edge of the mail downwardly.

To the extent described above, the foregoing construction of jogger/edger 350 is generally the same as conventional jogger/edgers. A conventional jogger/edger shown in FIGURES 15-17 may be employed in the present invention, although with somewhat reduced edging efficiency over the improved jogger/edger described below.

It has been found, however, that with a conventional jogger/edger, the bundle of mail between tabs 355 tends to lean to one side, causing the weight of one mail piece to rest on an adjacent mail piece. Thus, heavy pieces tend to pinch the lighter pieces thereby preventing edging of the lighter pieces and tending to force the individual pieces together, restricting the ability of each mail piece to move independently.

In accordance with the present invention, improved jostling and edging of the mail is achieved if the tabs are made to vacillate (rock) back and forth longitudinally, across a vertical axis, as the mail bundles are moved forward. Referring to FIGURE 18, the vacillation is accomplished as follows. In the improved jogger/edger 350', the tabs 355' are provided with ledges 370' on the lower end and on either side of the upward tab 355', like an inverted "T". Mounted below the tabs 355' is a wavy cam guide 375'. As the tabs 355' are moved in the same manner as described for the conventional, non-rocking tab jogger/edger 350, a roller cam follower 380', mounted to each of the tabs 355' engages the guide 375', between the wavy cam lobes, thereby causing the tabs 355 to rock back and forth, preferably in the range of 20 degrees each way. This

- 33 -

5 motion causes the individual mail pieces to break free from each other and move independently to an edged position. This minimizes the problem of heavy pieces pinching the lighter pieces to obstruct individual edging. It is preferred that the bundle of mail be jostled such that it moves back and forth across a substantially vertical orientation. When the pieces are vertical, the heavy pieces tend not to restrict the lighter pieces. This allows each mail piece to move independently without the weight of adjacent pieces restricting movement, thus improving the jogging/edging efficiency.

10 As the tabs 355' move forwardly, the jogged and edged mail is gradually moved forwardly, until it reaches the feeding station 70 of the sorter 15.

Feeding Station

15 Referring to FIGURES 1 and 2, the feeding station 70 is conventional, and consists of a guide roller 71 for frictionably driving pieces of mail 80 into the sorter 15, one at a time, for sorting. The sorting machine sorts mail pieces into one of an array 19 of output compartments 20 by reading bar codes on the mail pieces, in accordance with the sorting sequence programmed into the sorter at the time the sort is initiated. Since the sorter itself is conventional, it need not be further described.

Autostacker at Sorter Output

20 With reference to FIGURES 12A-12D and 13, the automatic stacking of mail into cartridge 25 in an output compartment 20 of the sorter 15, and the insertion into and removal of the cartridge 25 from the output compartment 20, will now be described.

- 34 -

The sorter 15 distributes the mail into one of output compartments 20, arranged in rows and columns. Each of the output compartments 20 includes a feed belt 390 encircling a roller 395, a sweep gate 400, and a cartridge receiving dock (not shown) for receiving and holding a cartridge 25 during loading of the cartridge. The cartridge receiving dock includes a wedge for unlatching the cartridge door 90, a dock end wall or lug for actuating the front end 210 of the round shaft 200 to unlock the rear stack support paddle 180, upper and lower cams for opening the cartridge door 90, and a switch or other sensing device to be actuated by the switch actuating extension 250 on the rear stack support paddle 180. Since these devices are arranged and operate in generally same manner as the respective devices in the cartridge docking station 55, already described, these items need not be further described in detail.

The cartridge 25 fits into the output compartment 20 in a manner similar to the cartridge docking station 55. That is, as the cartridge 25 is inserted into the compartment 20, the door locking latch 120 is released, the carriage assembly 185 is released, and the cartridge door 90 is opened. The compartment 20 also includes a switch or other sensor (not shown), actuated by the rear stack support paddle 180 in the cartridge, to notify the sorter 15 when the cartridge is nearly full (approximately 80%), full, empty and/or the relative degree of fullness of the cartridge. The cartridge 25 also preferably actuates a switch (not shown) in the compartment 20 to notify the sorter 15 or supervisory computer that the cartridge 25 is properly placed.

- 35 -

When in an output compartment 20, the cartridge 25 accepts and stacks mail directly from the sorter 15 during a sort. The pieces of mail 80 are fed into the cartridge by the drive belt 390 and, guided by the sweep gate 400.

Referring to FIGURES 12A-12D, the sweep gate 400 preferably consists of an upper smooth guide bar 405 and a lower guide bar 410 having bends or notches 415, open to the cartridge 25, for receiving upstanding fingers 420 of an end effector 425 of a robot cartridge handler (not shown in FIGURES 12A-12D).

During stacking of mail into the cartridge 25, the sweep gate 400 is positioned as shown in FIGURE 12A, with bars 410 and 405 straddling the drive belt 390 so that mail pieces driven toward the cartridge 25 by the drive belt 390 are guided into cartridge in an orderly stack 75. The spring loaded stack support paddle 180 (see FIGURES 3A and 3B) supplies a gentle urging force against the rear of the stack to assist in orderly stacking of the mail pieces.

When the cartridge 25 is nearly full (approximately 80%), the stack support paddle 180 in the cartridge actuates a switch (not shown) in the output compartment 20, notifying the sorter 15 or supervisory computer that the cartridge is nearly full and should be replaced with an empty cartridge.

In the present invention, sorting operations can continue unabated during changing of cartridges. To do so, when the sorter 15 or supervisory computer receives notification by means of the switch or sensor that the cartridge 25 in an output compartment 20 is nearly full, the sorter 15 automatically redesignates another output compartment having a still-empty cartridge as the receiving location for that category of mail. The redesignation is completed somewhat prior to the time the cartridge 25 is completely full, because the sorter 15 includes a

- 36 -

number of pieces of mail at any given time which have not yet been routed to an output compartment 20.

After all mail in process in the sorter 15 available for routing to the output compartment 20 has been run through the sorter so that no more mail is available to be routed to the full or nearly-full cartridge 25, the cartridge removal operation can begin. This process is depicted in FIGURES 12B-12D. First, as shown in FIGURE 12B, a robot end-actuator 430 (schematically illustrated in the figures as a bar) moves forward and activates a lever 435 attached to the sweep gate 400 that causes the sweep gate to pivot towards the stack of mail in the cartridge, to fully shove the end of the mail stack into the cartridge. Meanwhile, the end-effector 425 of the robot with support members 427 and upstanding fingers 420 is moved under the cartridge 25. As illustrated in FIGURE 12C, the end-effector 425 and upstanding fingers 420 are raised sufficiently to insert the upstanding fingers into the cartridge through the bottom notches 160 provided in the bottom 82 of the cartridge, and up through notches 415 in the lower guide bar 410 of sweep gate 400. The upstanding fingers 420 serve the purpose of retaining the end of the mail stack 75 during cartridge extraction while the cartridge door 90 closes, as well as assisting in securely holding the cartridge for the removal operation. The cartridge may then be pulled out of the compartment via the end-effector 425, as illustrated in FIGURE 12D. The end-actuator 430 is also retracted at this time, and the sweep gate 400 returns to a starting, open position, preferably by a return spring on the sweep gate.

As noted above, upon insertion or extraction of the cartridge 25 from the output compartment 20, the cartridge door 90 automatically opens and closes, by

- 37 -

means of the cam follower 165 on the bottom of the door, the stack support paddle 180 is released and engaged, respectively, in the substantially the same way as described above with respect to insertion and removal of the cartridge 25 into and from the docking station 55 of the autofeeder 50.

5 The steps of insertion of an empty cartridge 25 into the output compartment 20 are schematic illustrated in FIGURES 13A-13D. FIGURE 13A depicts an empty cartridge being moved into the output compartment 20 by means of support members 427, with the upstanding fingers 420 up, latch 120 engaged, and rear stack support paddle 180 locked in position by means of the
10 round shaft 200. FIGURES 13B and 13C show the cartridge 20 moving toward the receiving dock of the output compartment 20. FIGURE 13D depicts the cartridge 20 just after docking, with the latch 120 disengaged, the rear stack support, paddle 180 unlocked, and cartridge door 90 open. The cartridge is now ready to receive mail, guided by open sweep gate 400.

15 Turning now to FIGURES 13E-13I, the process of removal of a cartridge filled with flat articles from output compartment 20 is illustrated. In FIGURE 13E, the cartridge is shown with the cartridge door 90 open, the sweep gate 400 open, the end-effector 425 has entered the compartment underneath the cartridge, but the upstanding fingers 420 have not been raised. FIGURE 13F depicts the step
20 in the process after the sweep gate 400 has been rotated to push the stack of mail into the cartridge 25 after the upstanding fingers 420 have been raised. FIGURE 13G shows the cartridge 25 just as it has moved away from the dock of the output compartment 20 enough to lock the rear stack support paddle 180 by movement of the round shaft 200. FIGURE 13H depicts the cartridge 25 after

- 38 -

having been moved away from the dock of the output compartment 20 far enough to close the cartridge door 90, and to engage the latch 120. FIGURE 13I depicts the cartridge after being entirely removed from output compartment 20.

Cartridge Transfer and Handling Robot

5 The cartridge transfer and handling robot 30, which preferably is employed to move the cartridge 25 between the docking station 55, the output compartment 20, and/or a compartment 45 of the buffer shelf 40 will now be described, with reference primarily to FIGURES 6-8.

10 With reference first to FIGURES 6 and 7, the cartridge transfer and handling robot 30 includes a carriage assembly 31 mounted to move on a vertical support column 32 that in turn is mounted for linear movement on an upper rail 33 and a lower rail 34 extending the length of the array 19 of the sorter 15. The carriage assembly further includes the cartridge support platform 35 also mounted to the support column 32 for up-down movement. The support column 32 is
15 driven back and forth along the rails 33, 34 by cables 36a and 36b mounted to pulleys 37a and 37b, driven by X-Y drive servo motors 38a and 38b under computer control.

20 The cartridge support platform 35 is pivotally mounted to the end of a cantilever support beam 41, attached to the support column 32 by a rack-mounted collar 42, and positioned under computer control by a servo motor 43. The up-down motion of the cartridge support platform 35 is effected by the of servo motor 38b driving cable 36b, and hence driving a pinion (not shown) against a rack (not show) on the column 32.

- 39 -

With reference now to FIGURE 8, in order to securely grasp and hold the cartridges 25 during removal, insertion and transportation operations, the cartridge support platform 35 of the cartridge transfer and handling robot 30 includes the end-effector 425 including the pair of extensible support members 427, which are normally roughly parallel with a horizontal plane. These support members 427 arms are extended by operation of a servo motor 44 on the cartridge support platform 35, through a chain drive 46.

Each of the extensible support members 427 includes an L-shaped upstanding fingers 420 pivotally mounted at the end thereof. The upstanding fingers 420 are pivoted up and down by means of a worm gear drive, chain drive or other convenient means (not shown), driven by a servo motor (not shown) under computer control.

The cartridge support platform 35 also includes the separate end-actuator 430 driven by a servo motor, for operatively pivoting the sweep gate 400.

Operation of Cartridge Transfer and Handling Robot

The operation of the cartridge transfer and handling robot 30 to transfer cartridges 25 between the sorter output compartments 20, the docking station 55, and the compartments 45 of the buffer shelf 40 will now be described, with primary reference to FIGURES 11A-L.

FIGURE 11A shows the cartridge transfer and handling robot 30 in the "home" position, without a cartridge. In FIGURE 11B, the robot 30 has extracted a full cartridge 25 from a compartment 45 of the buffer shelf 40 (for clarity, the stack of flat articles or mail is not shown). As depicted in FIGURE 11C, the X-Y servo motors are actuated to rotate the robot 30 toward the docking station 55 of

- 40 -

feeder assembly 50, for resorting. Alternatively, the robot 30 extracts filled cartridges from the buffer shelf 40, for transfer to the feeder assembly 50, or empty cartridges for transfer to an output compartment 20.

As illustrated in FIGURE 11D, the servo motors are actuated to lower the platform 35 and push the cartridge 25 onto the docking station 55, by means of end effector 425 and support members 427. As depicted in FIGURE 11E, the cartridge 35 has been inserted into the docking station 55. After the cartridge 25 has been unloaded at the docking station 55, the robot 30 removes the empty cartridge, as illustrated in FIGURE 11F. If not presently needed, the empty cartridge can now be temporarily stored in a compartment 45 of buffer shelf 40, as depicted in FIGURE 11G.

Referring to FIGURE 11H, the robot 30 has been repositioned to remove a filled cartridge 25 from an output compartment 20 of array 19. FIGURE 11I shows the robot 30 removing a full cartridge 25 (the stack of flat articles or mail is not shown). FIGURE 11J depicts the robot 30 after having been turned and beginning the operation to place the cartridge 25 into a compartment 45 of buffer shelf 40. FIGURE 11K illustrates the robot 30 in the middle of removing a cartridge 25 from a buffer shelf 40. Finally, FIGURE 11L depicts the robot 30 in the process of putting a cartridge into a compartment 20 of array 19.

The preferred method of operation is to move filled cartridges from the buffer shelf 40 to the feeder system 55; empty cartridges from the feeder to the buffer; empty cartridges from the buffer 40 to the output compartments 20; filled cartridges from the output compartments 20 to the buffer 40; and so on. Thus, the buffer 40 preferably serves as an intermediate "stopover" point between the

- 41 -

feeder and the output compartments, and from the output compartments to the feeder. If the supervisory computer determines, however, that a particular cartridge transfer will be more efficient if made directly, without the intermediate step of the buffer, the robot will transfer filled or empty cartridges directly between
5 the feeder and the output compartment, and vice versa.

Although not shown in FIGURES 11A-11L, it is to be understood that, when the cartridge support platform 35 is properly positioned, the upstanding fingers 420 are lowered (or raised), and the extensible support members 427 extended (or retracted) as necessary, to position the upstanding fingers 420
10 directly underneath mating notches 160 in the front end of the cartridge 25, and to move the fingers 420 up into the notches 160 in the cartridge 25, at the appropriate times, as previously described.

It should be noted that, if the upstanding fingers 420 are sufficiently long, the hold bars 145 in the docking station 55 may be dispensed with in as much as
15 the fingers also prevent the stack from falling with the cartridge door 90 open, in the same manner that the fingers 420 function in removing a filled cartridge from the output compartment 20. However, for reasons of maximum utilization of the robot 30, it is preferred that the hold bars 145 are used to support the mail during opening of the cartridge door 90, since this allows the robot to leave the docking
20 station 55 immediately after discharging the cartridge 25, before it is docked and unloaded, if desired.

As can be seen in FIGURE 11A-11L, some embodiments of the output array 19 of output compartments 20 may include a top row or tier that is slanted
downwardly a few degrees. The reason for the slant is to facilitate manual

- 42 -

removal of mail and/or cartridges from the top tier when manual removal of the cartridges is desired or necessary in case of breakdowns of the cartridge handling robot 30. Mail must continue to be processed regardless of a breakdown of the cartridge transfer and handling robot 30, and many such slanted tier arrays are already in operation. Thus, it is desirable that the cartridge transfer and handling robot 30 be able to accommodate such a slanted configuration. To do so, the cartridge support assembly is mounted to the collar having a mount rotatable to about a horizontal axis. The rotation is effected by means of a servo motor, under computer control, permitting the end-effector 425 to reach the slanted top shelf.

Referring to FIGURE 14, in order to speed up the cartridge insertion and removal process, a dual platform robot 30', riding on a bottom rail 34', is provided, configured with dual cartridge support platforms 35'. By the use of dual cartridge support platforms 35', the robot 30' is configured to insert and/or remove two cartridges per "trip", thus maximizing the efficiency of use of the robot 30'.

In order to maximize the usefulness of the sorter 15, in accordance with the present invention, a computer is suitably programmed so that, when the cartridge 25 in a designated output compartment has been filled or nearly filled, as indicated by the sensed position of the rear stack support paddle 180, or during the process of removal of a cartridge, prior to insertion of an empty cartridge, the computer automatically instructs the sorter 15 or a supervisory computer to redesignate another output compartment 20, on the fly, to enable the sorter to continue to sort to the redesignated output location until an empty cartridge is fully reinserted into the output compartment.

- 43 -

The supervisory computer is also preferably programmed to determine high-occurrence output compartments, either based upon manual input of a probability mapping for the sort locations, or based upon "learning" the probability of the various sort locations based upon recording of information from prior sorts.

5 The high-occurrence destinations are grouped together in the array 19, and in buffer shelf 40, to maximize efficiency of cartridge insertion, removal, and transfer between the buffer shelf 40, the array 19, and the docking station 55 of feeding assembly 50.

10 It should be noted that, although the invention is illustrated and described in conjunction with a sorter, the invention is useful in connection with other machines for automatically handling and/or processing flat articles and mail, for example, envelope addressing machines, labeling machines, character recognition machines, and bar code printing machines.

15 Although preferred and alternate embodiments of the present invention have been illustrated in the accompanying drawings and described in the foregoing DETAILED DESCRIPTION, it will be understood that the invention is not limited to the embodiments disclosed, but is capable of numerous rearrangements, modifications and substitutions of parts and elements without departing from the spirit of the invention.

PCT/US 97/05823

IPEA/US 05 MAY 1998

- 44 -

WE CLAIM:

1. A cartridge for holding a stack of flat articles, comprising:

5 a container having a bottom, sidewalls, a back wall and an open front;

a gate pivotally mounted to the sidewalls of said container, said gate pivotal between a first position for blocking the open front of said container to a second
10 position to allow access to said container; and

a longitudinally slidable stack support mounted to the bottom of said container along an axis perpendicular to the plane of said gate for supporting the back of a stack of flat articles during loading or unloading of the flat
15 articles into or from the container.

2. Cancelled.

3. Cancelled.

20

4. A cartridge for holding a stack of flat articles as set forth in Claim 12 wherein the opening in said gate comprises notches at the bottom of said gate.

25

5. A cartridge for holding a stack of flat articles as set forth in Claim 1, further comprising means for resiliently urging and longitudinally slidable stack support against a stack of articles in said container.

30

6. A cartridge for holding a stack of flat articles as set forth in Claim 1, further including a cam attached to said stack support, said cam actuating an external sensor to enable the determination of the position of said stack support in the container.

35

~~CONFIDENTIAL~~

- 45 -

7. Cancelled.

8. A cartridge for holding a stack of articles as set forth in Claim 13, wherein said lock includes: a brake carriage having a brake member, and a supporting rod mounted to the bottom of said container and supporting said brake carriage, said supporting rod resiliently mounted to permit sideways motion thereof, thereby enabling sideways motion of said brake carriage.

10

9. Cancelled.

10. A cartridge for holding a stack of flat articles as set forth in Claim 14, wherein said cam follower includes a first cam and a second cam, said first cam positioned to open said gate to a first position and the second cam positioned to open said gate to a fully open position.

15

20

11. A cartridge for holding a stack of flat articles as set forth in Claim 1, including means for latching said gate in a position to block the open front of said container.

PCT/US 97/05823
IPEA/US 05 MAY 1998

- 46 -

12. A cartridge for holding a stack of flat articles, comprising:

a container having a bottom, sidewalls, a back wall and an open front;

5 a hold bar pivotally attached to the container for positioning against the stack of flat articles;

a gate pivotally mounted to the sidewalls of said container, said gate pivotal between a first position for blocking the open front of said container to a second position to allow access to said container, said gate having an opening to permit entrance of the hold bar through said gate when in a closed position; and

10 a longitudinally slidable stack support mounted to the bottom of said container for supporting the back of a stack of flat articles in the container.

PCT/US 97/05823
IPEA/US 05 MAY 1998

- 47 -

13. A cartridge for holding a stack of flat articles, comprising:

a container having a bottom, sidewalls, a back wall and an open front;

5 a gate pivotally mounted to the sidewalls of said container, said gate pivotal between a first position for blocking the open front of said container to a second position to allow access to said container;

10 a longitudinally slidable stack support mounted to the bottom of said container for supporting the back of a stack of flat articles in the container;

a lock mounted to said container for selectively securing the position of said stack support in said container; and

15 an externally actuatable cam for disengaging said lock when positioning the container in a receiving dock and engaging said lock when removing the container from the receiving dock.

AMENDED SHEET

PCT/US 97/05823
IPEA/US 05 MAY 1998

- 48 -

14. A cartridge for holding a stack of flat articles, comprising:

a container having a bottom, sidewalls, a back wall and an open front;

5 a gate pivotally mounted to the sidewalls of said container, said gate pivotal between a first position for blocking the open front of said container to a second position to allow access to said container;

10 said gate including a cam follower for actuating said gate between an open and closed position by means of relative movement of said container between a fixed external cam on a receiving dock and said cam follower; and

15 a longitudinally slidable stack support mounted to the bottom of said container for supporting the back of a stack of flat articles in the container.

AMENDED SHEET

2/24

Figure 3A

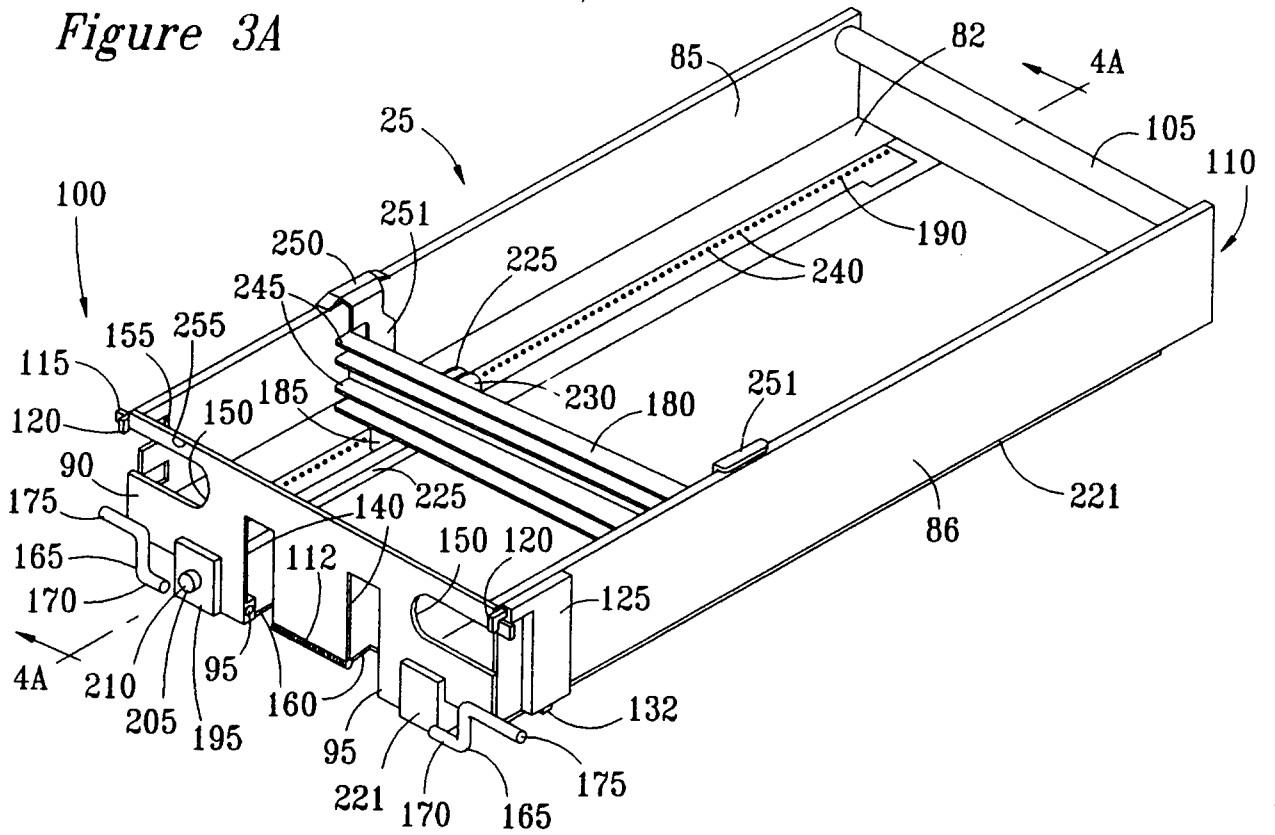
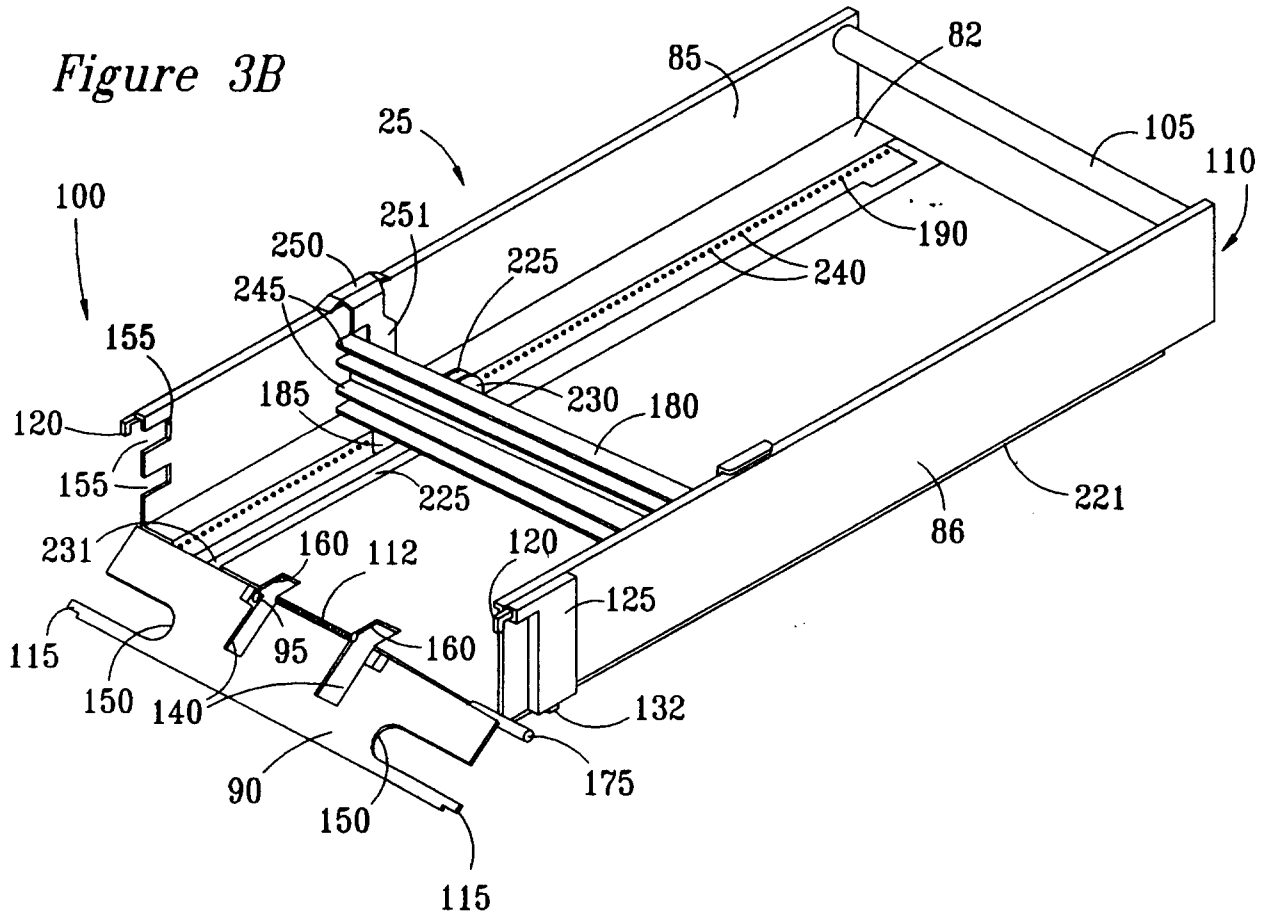


Figure 3B



3/24

Figure 3C

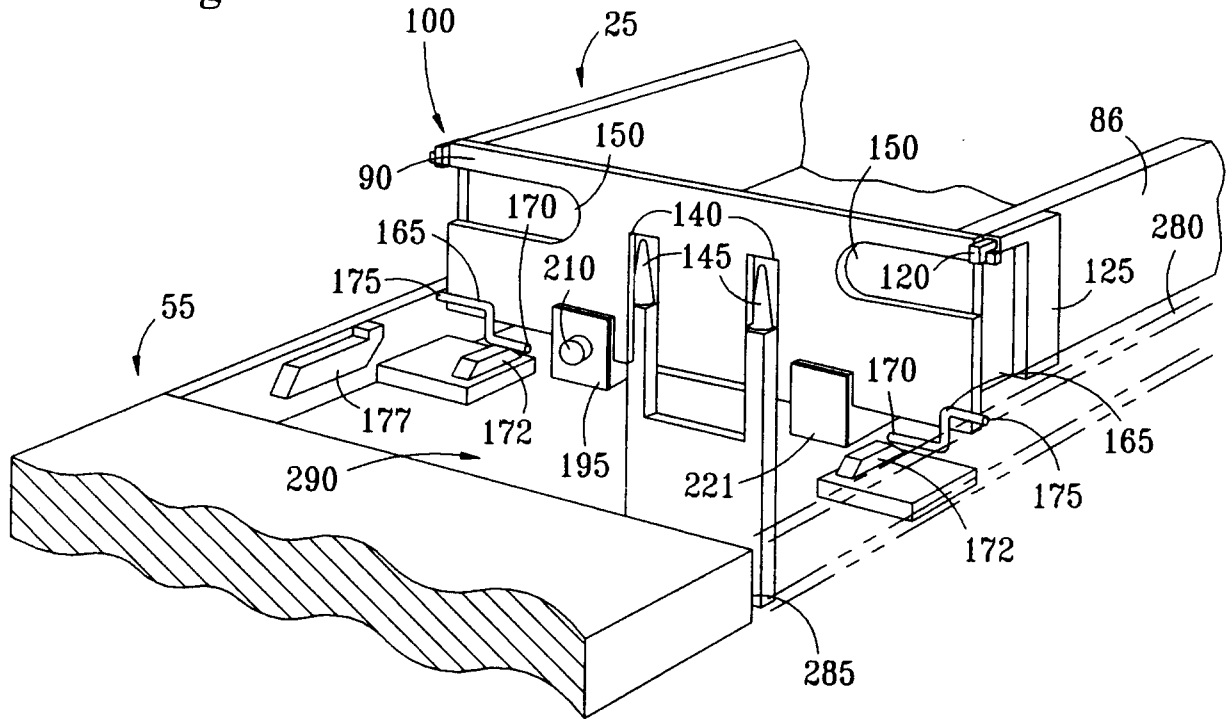
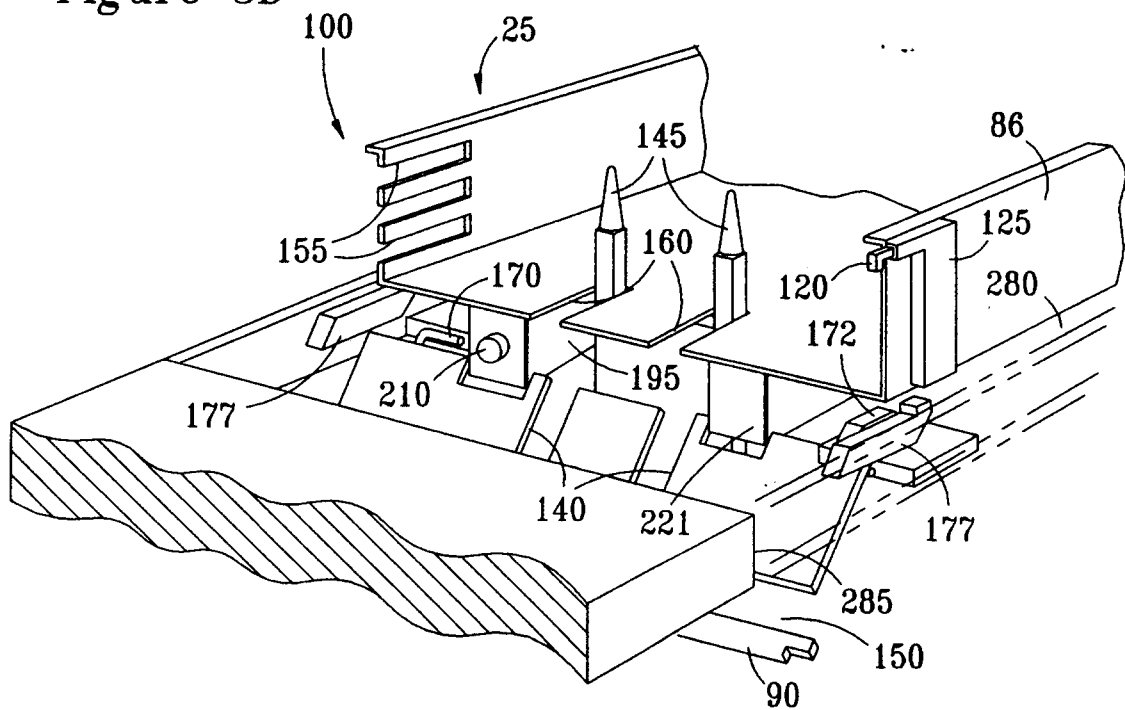
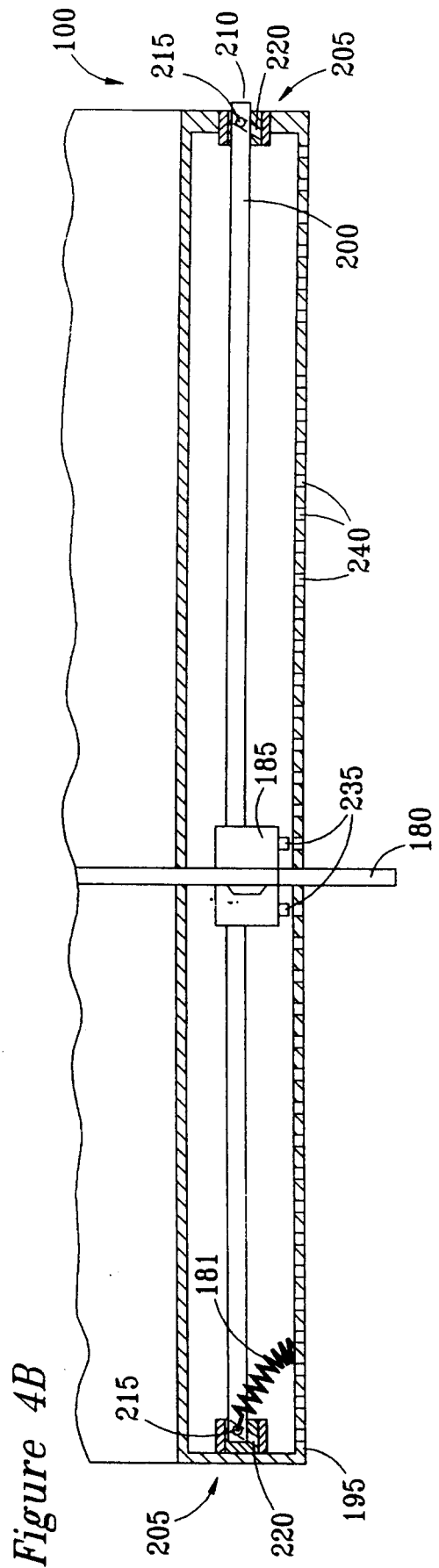
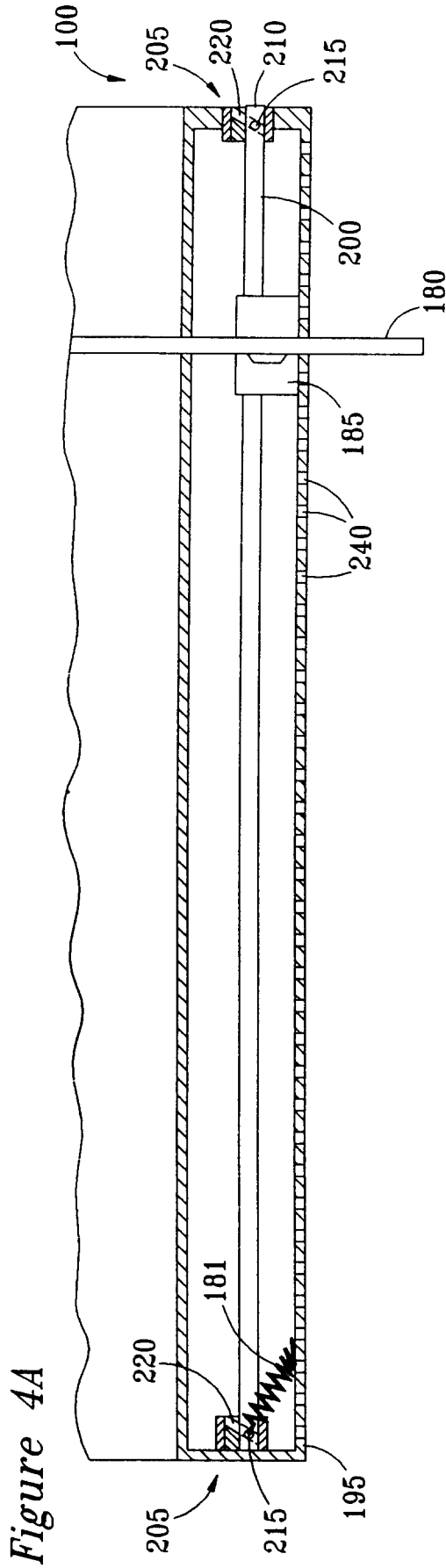


Figure 3D



4/24



5/24

Figure 5

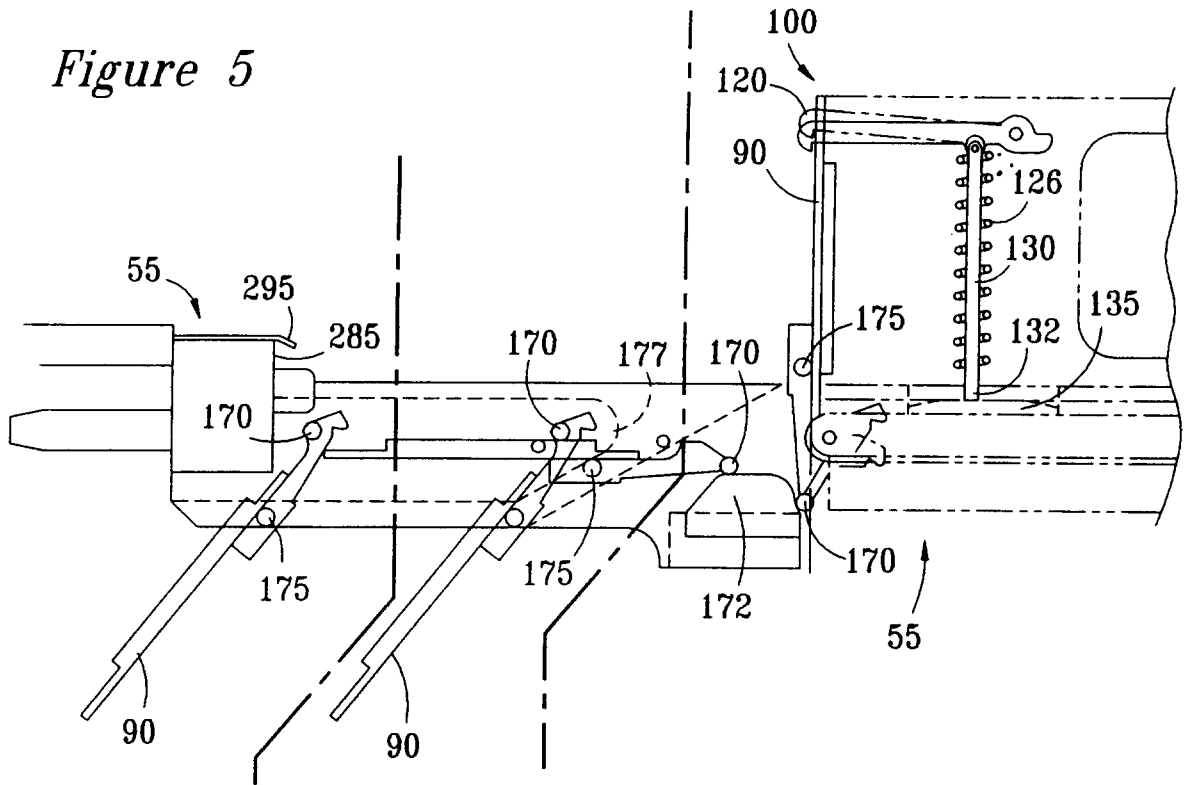
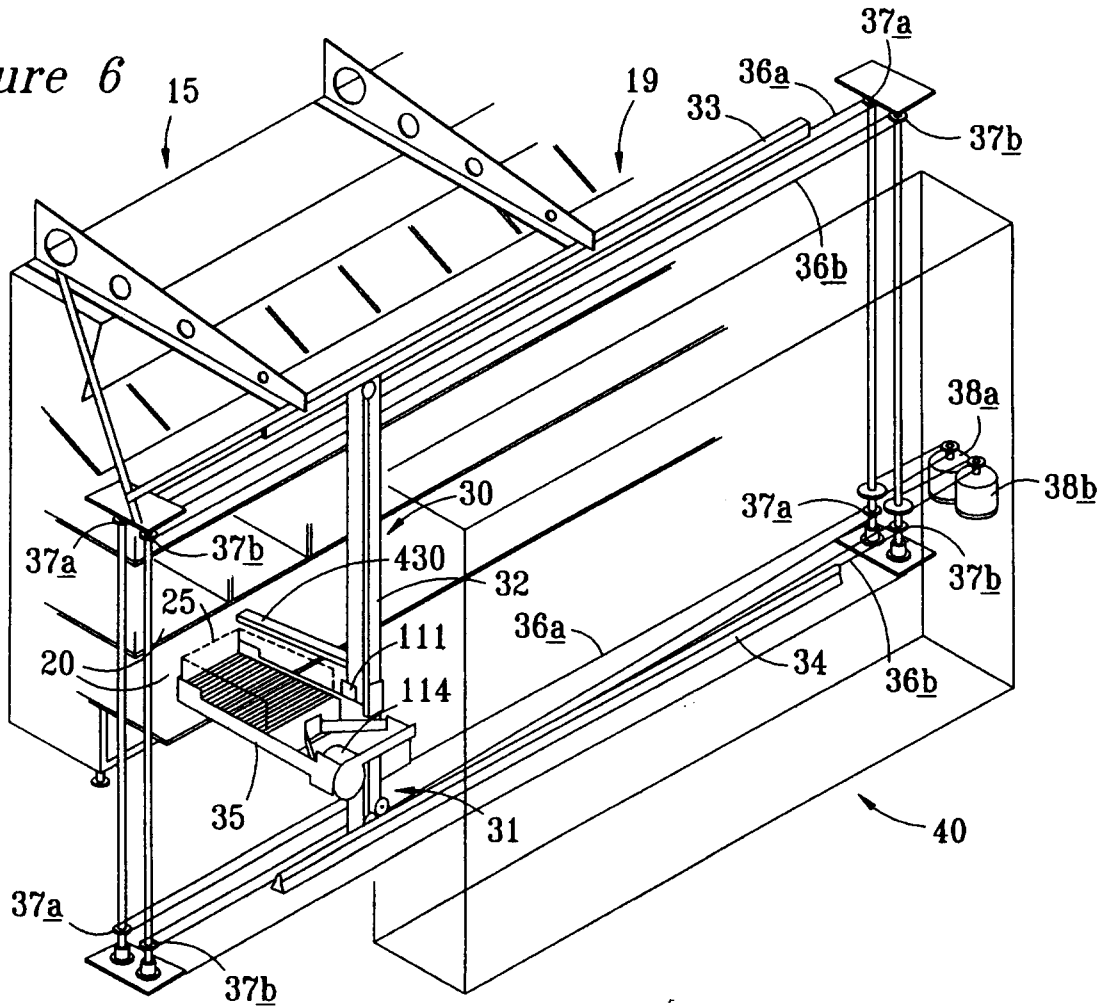


Figure 6



IPER 28 OCT 1997

6/24

Figure 7

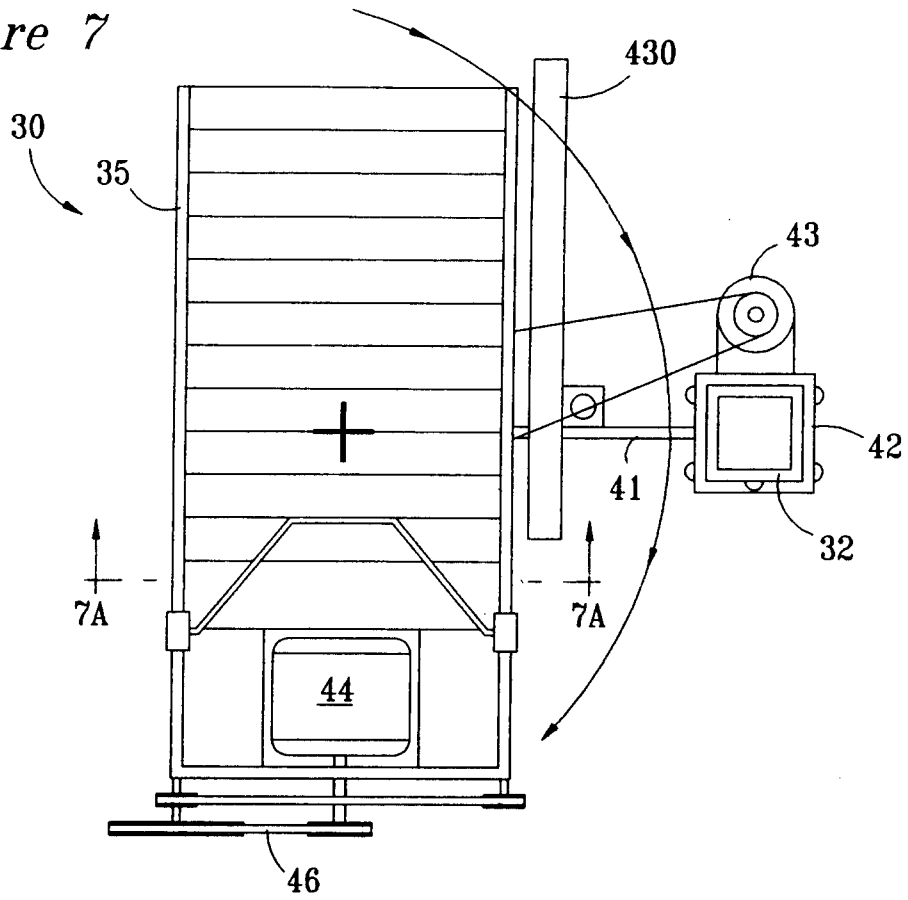


Figure 7A

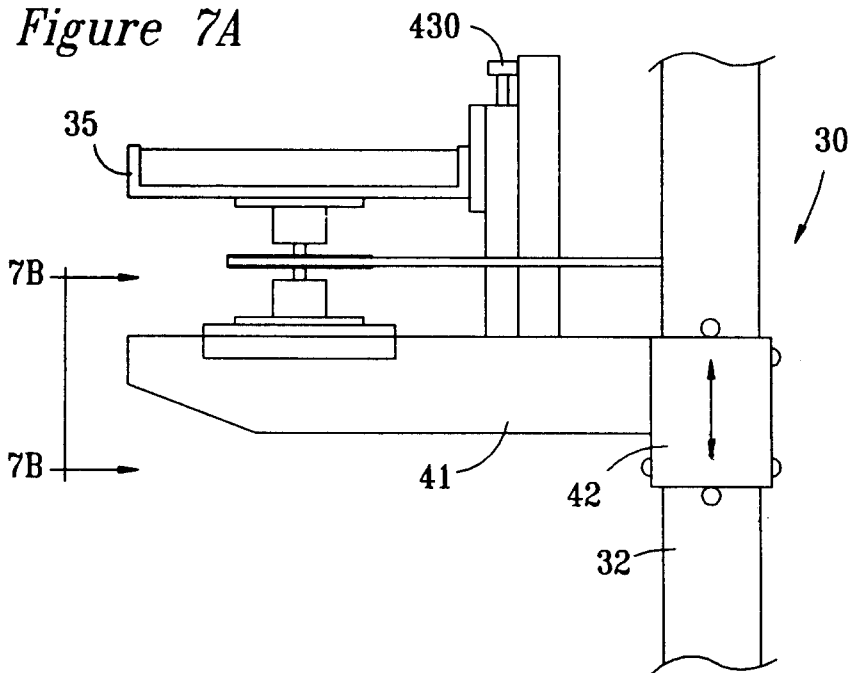
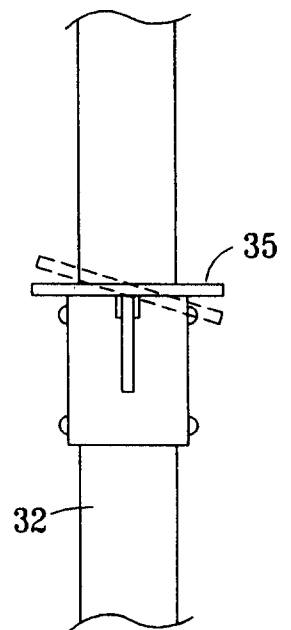


Figure 7B



7/24

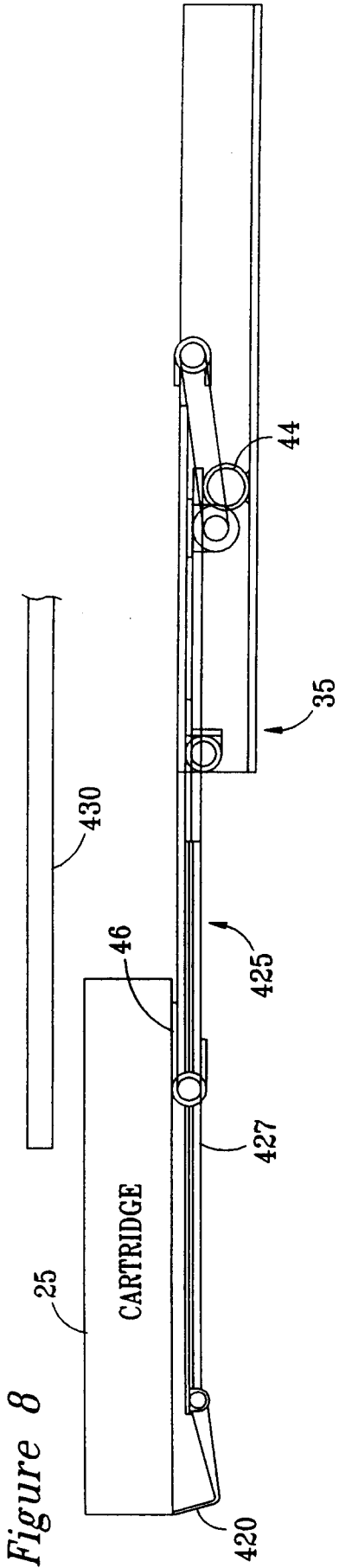


Figure 9

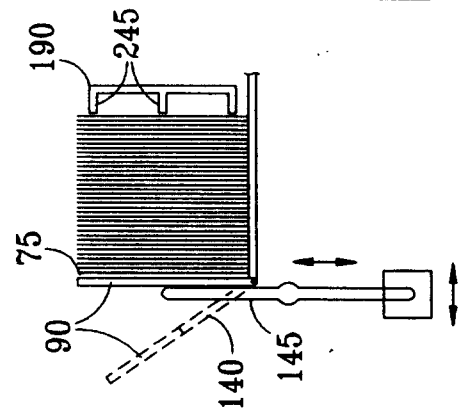


Figure 9A

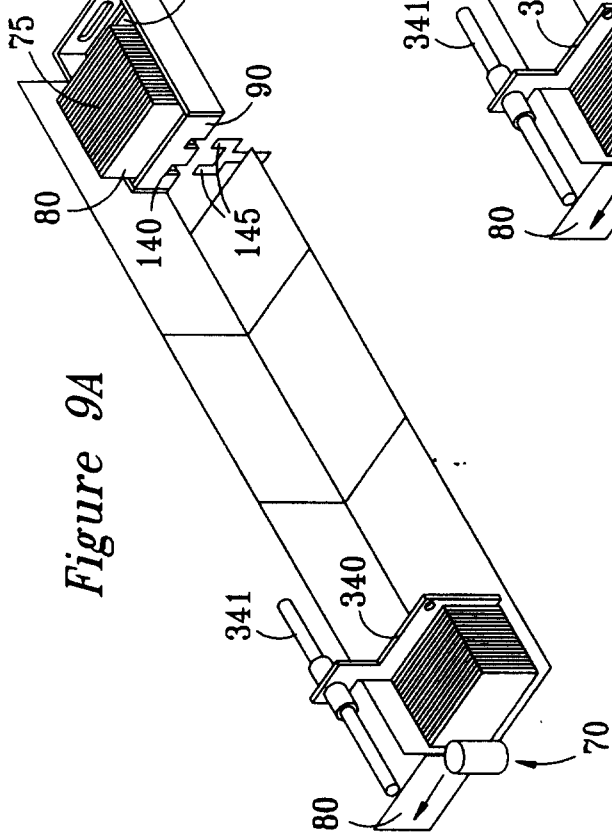
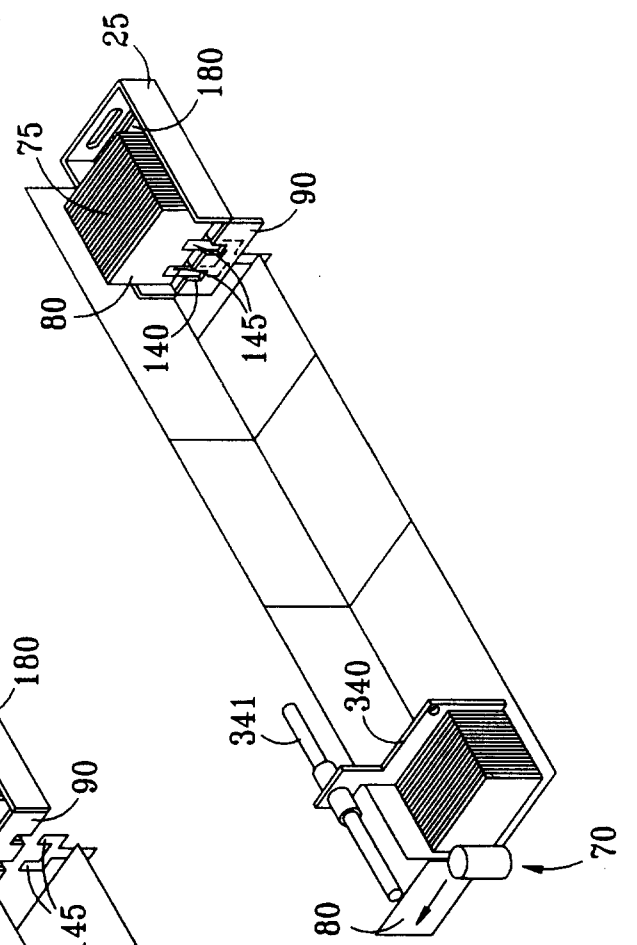
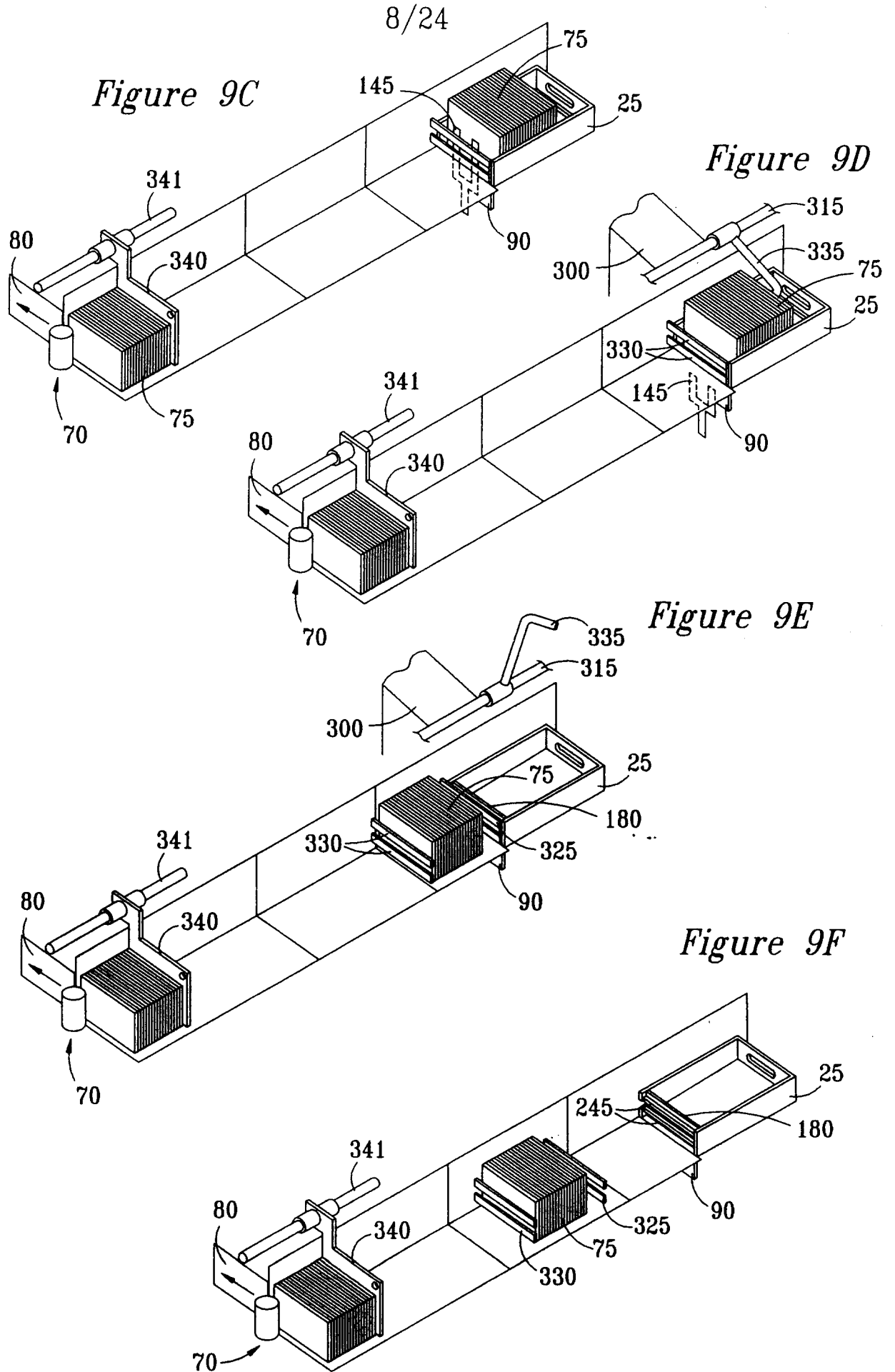


Figure 9B



PCT/US 97/05823
IPEN/US 28 OCT 1997



28 OCT 1997

9/24

Figure 9G

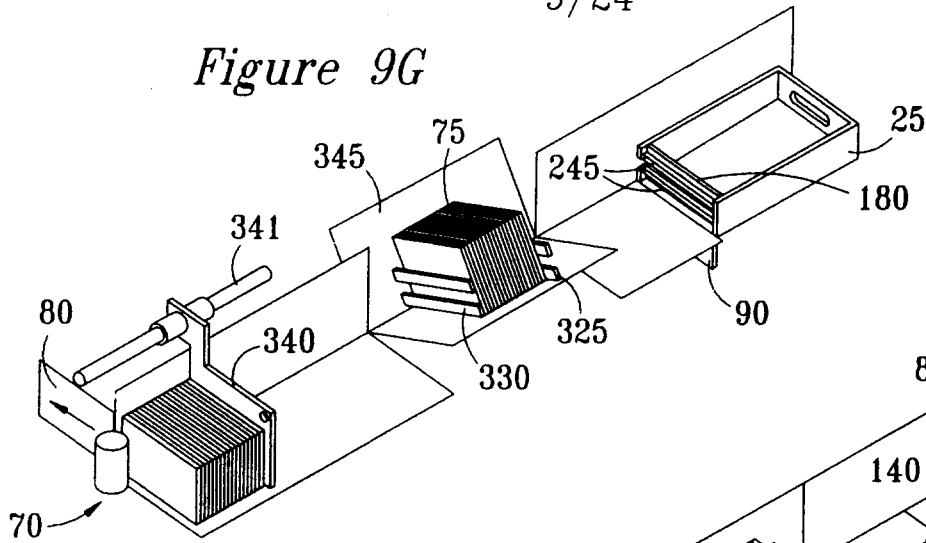


Figure 9H

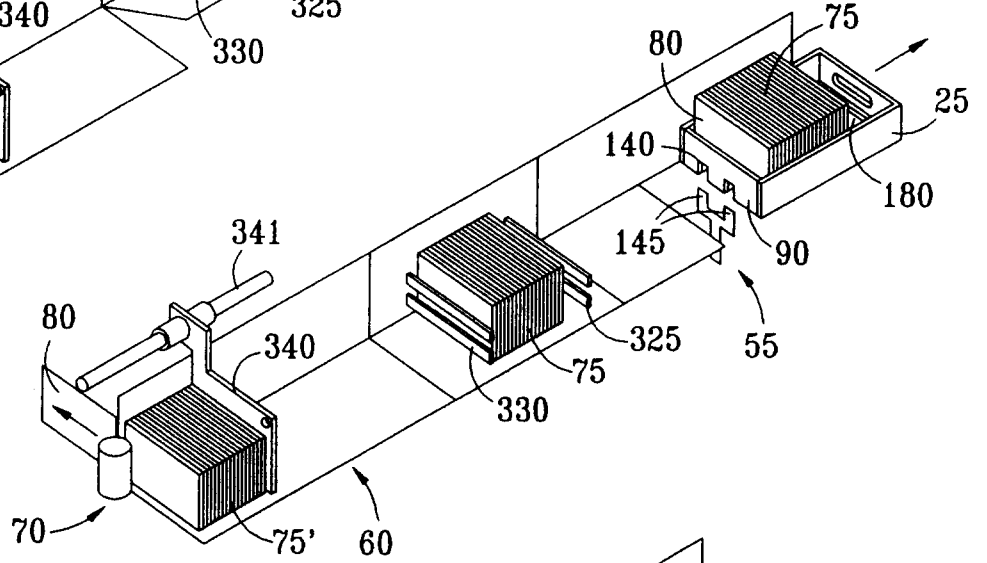


Figure 9I

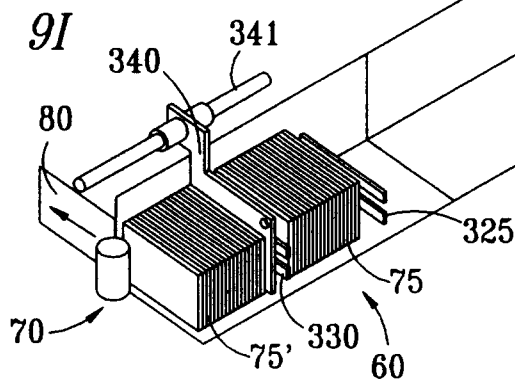
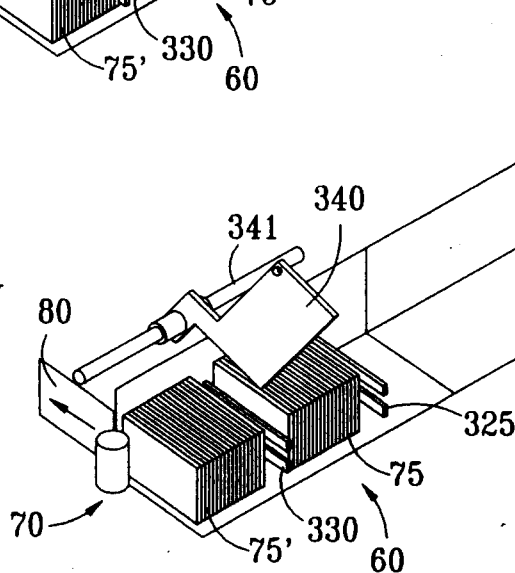


Figure 9J



10/24

Figure 9K

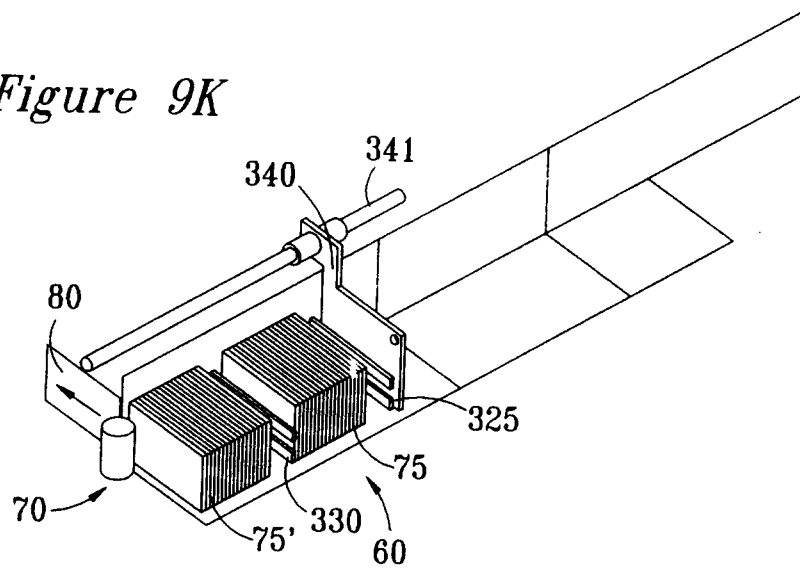


Figure 9L

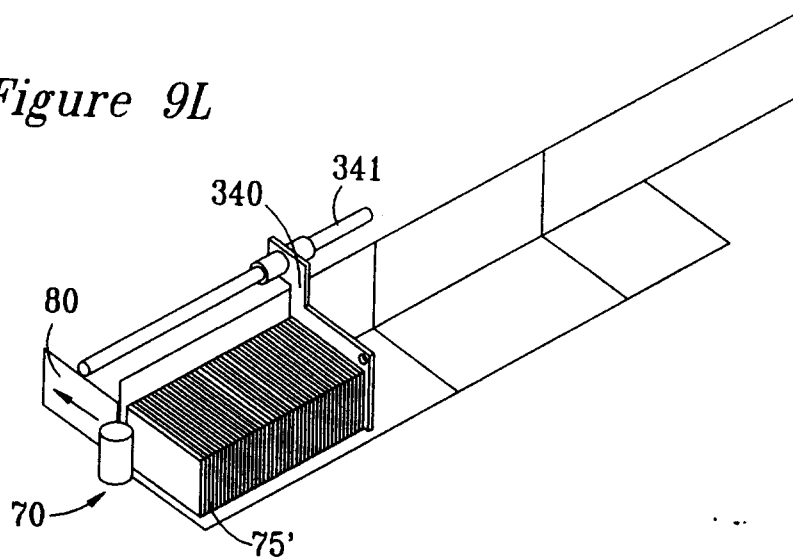
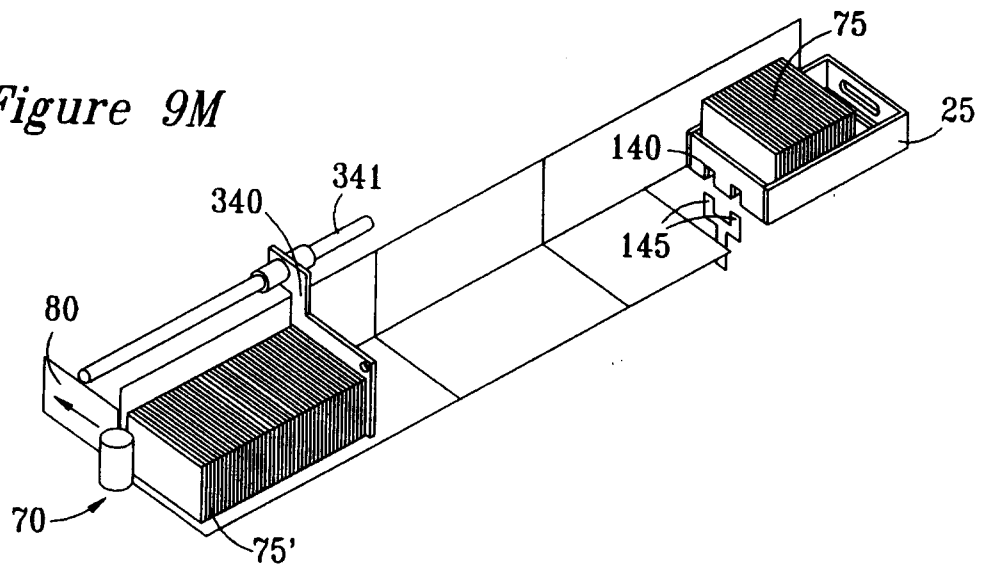


Figure 9M



11/24

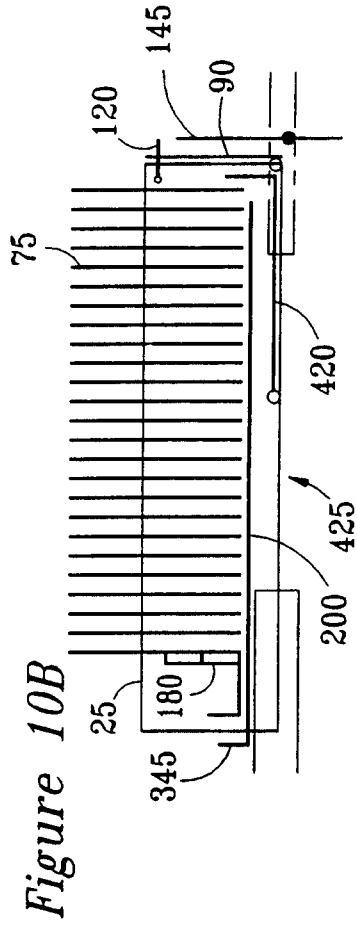


Figure 10A

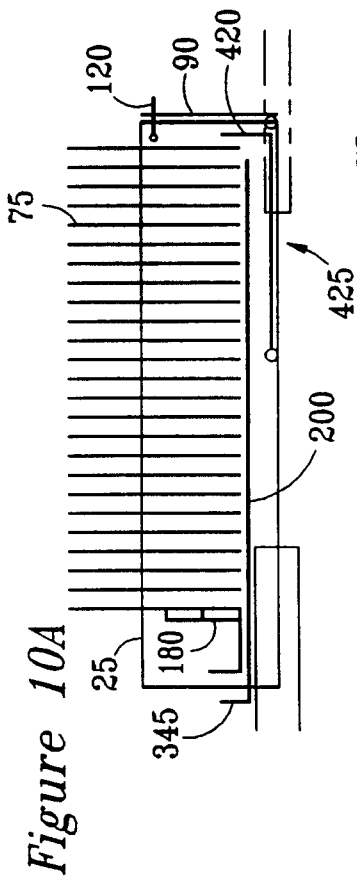


Figure 10B

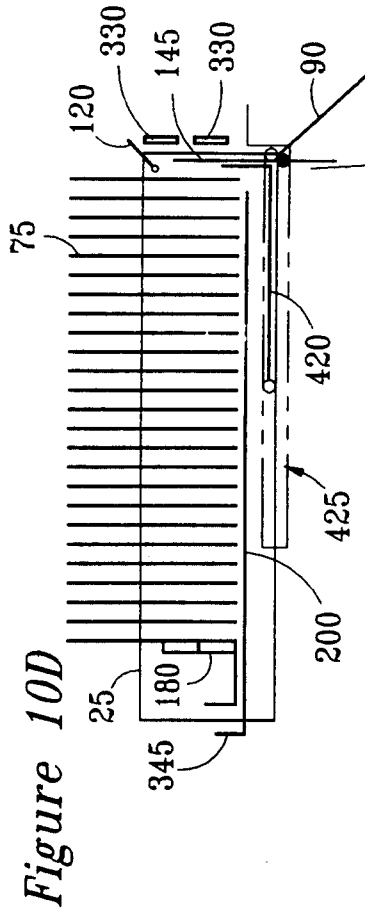


Figure 10C

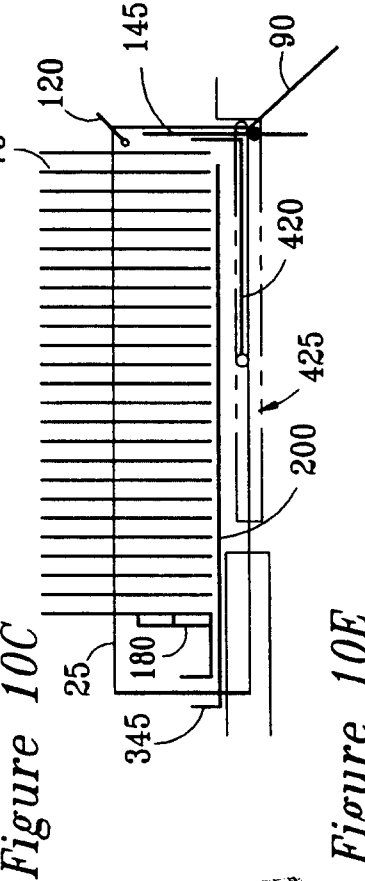


Figure 10D

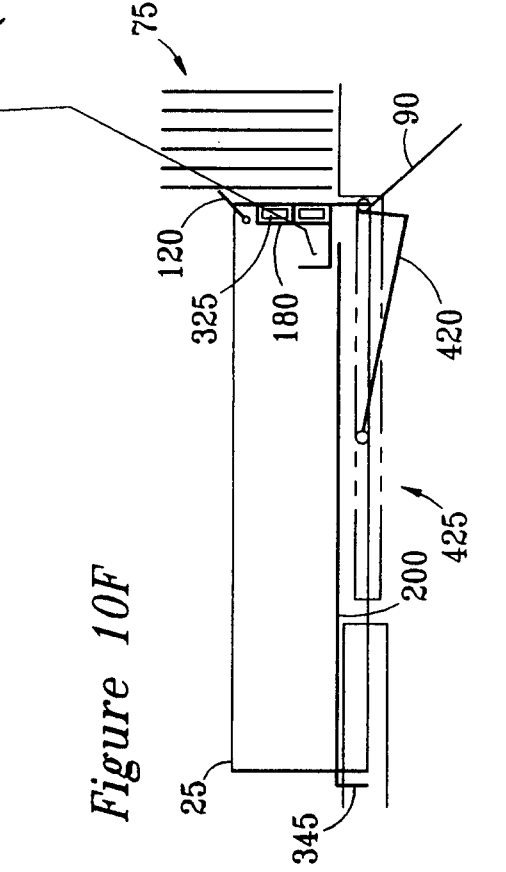


Figure 10E

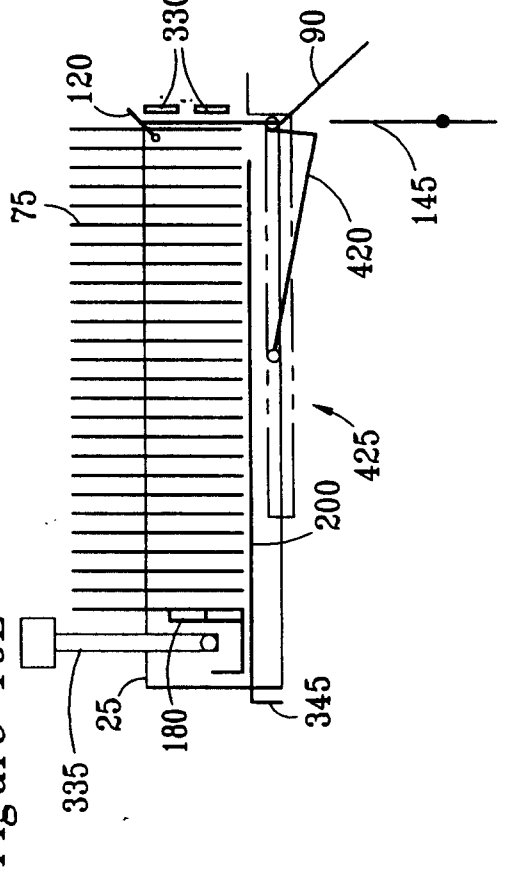


Figure 10F

PAT 97/05823

28 OCT 1997

12/24

Figure 10G

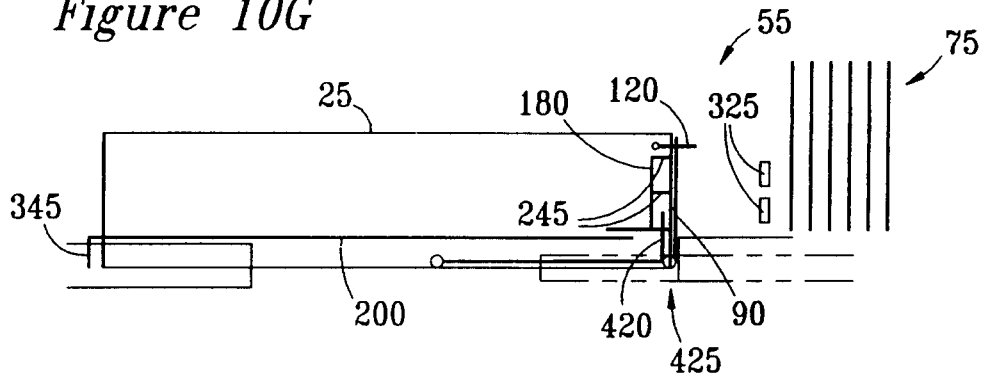


Figure 10H

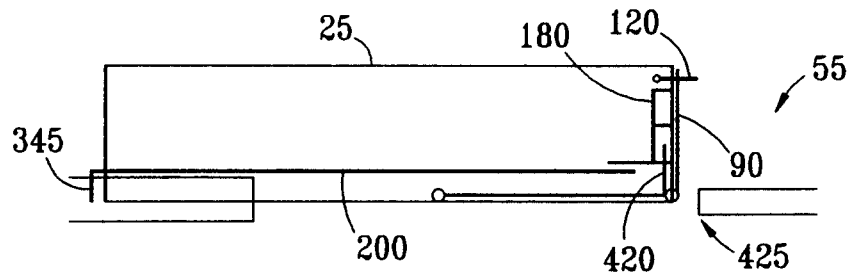
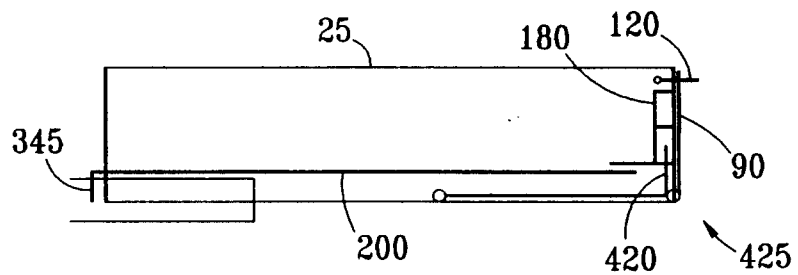


Figure 10I



97/05923

US 28 OCT 1997

13/24

Figure 12A

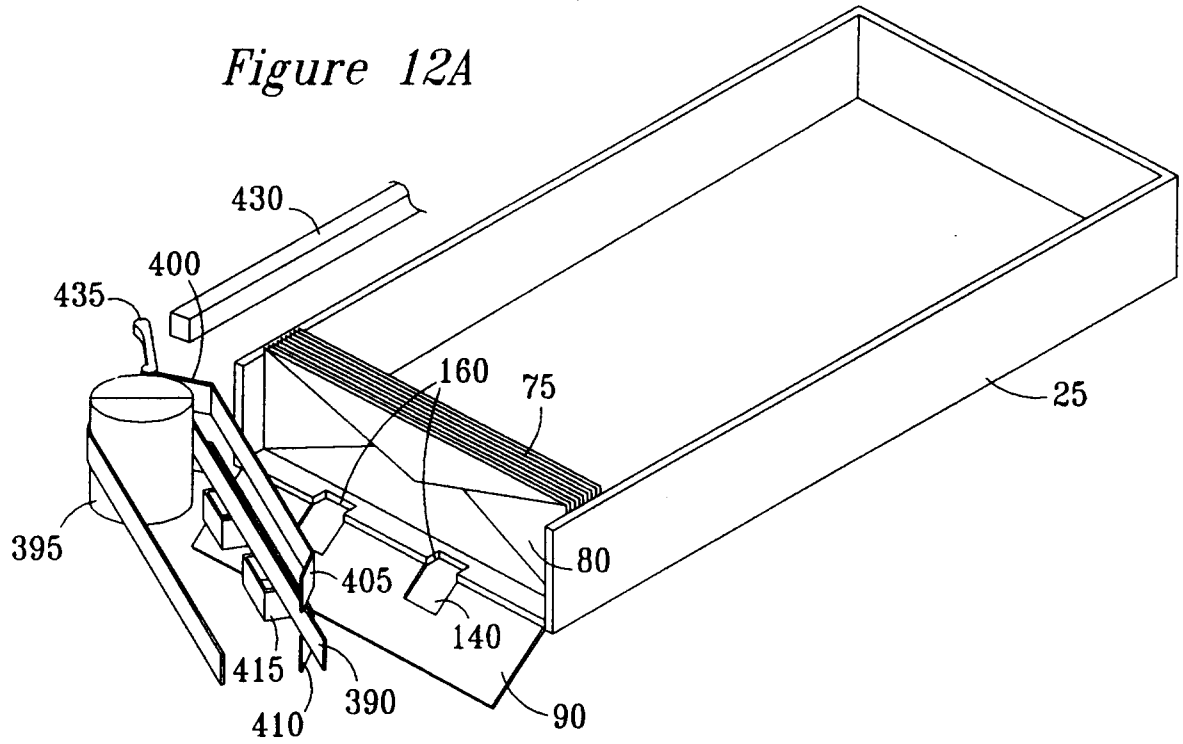
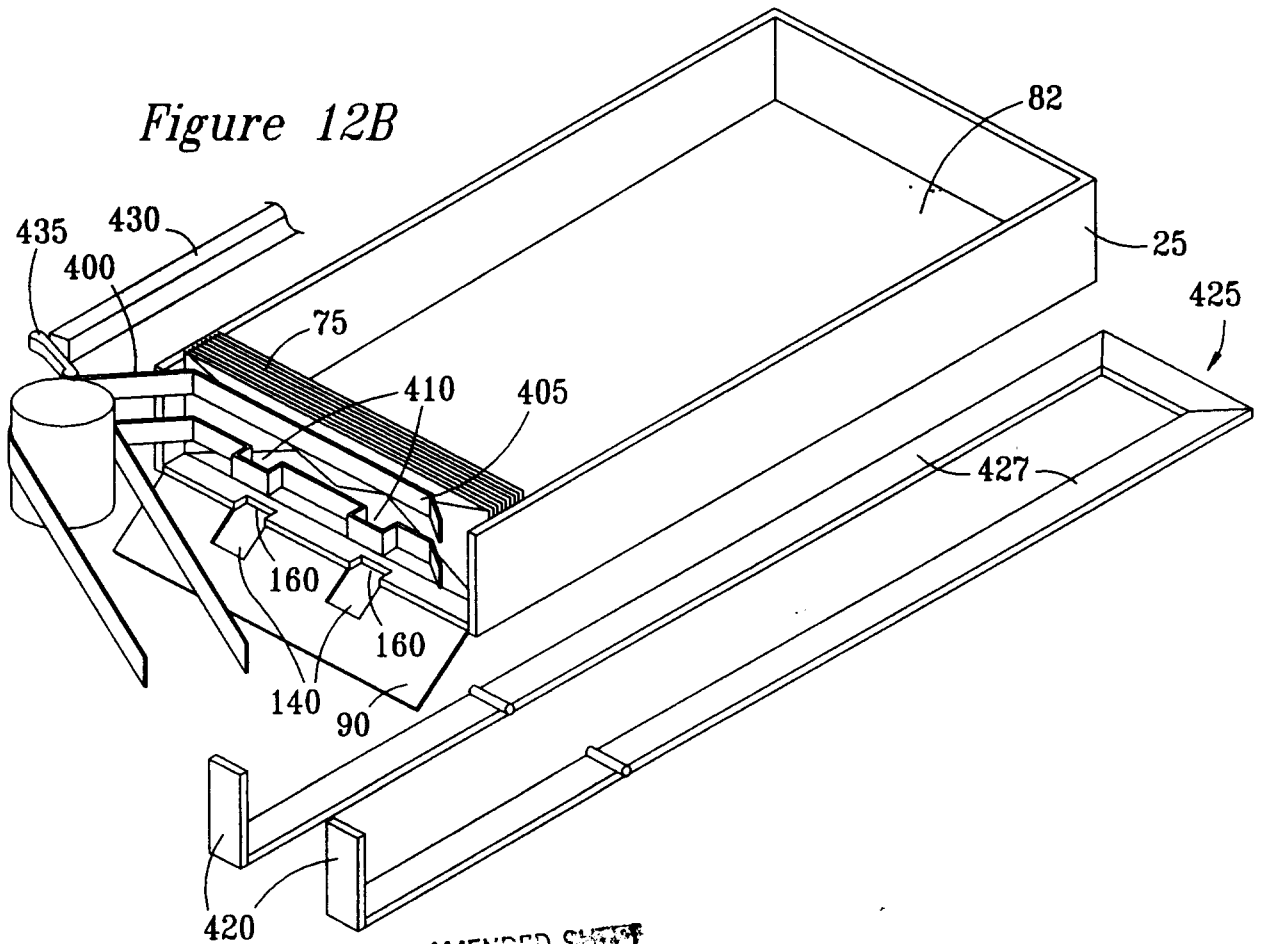


Figure 12B



AMENDED SHEET

Figure 12C

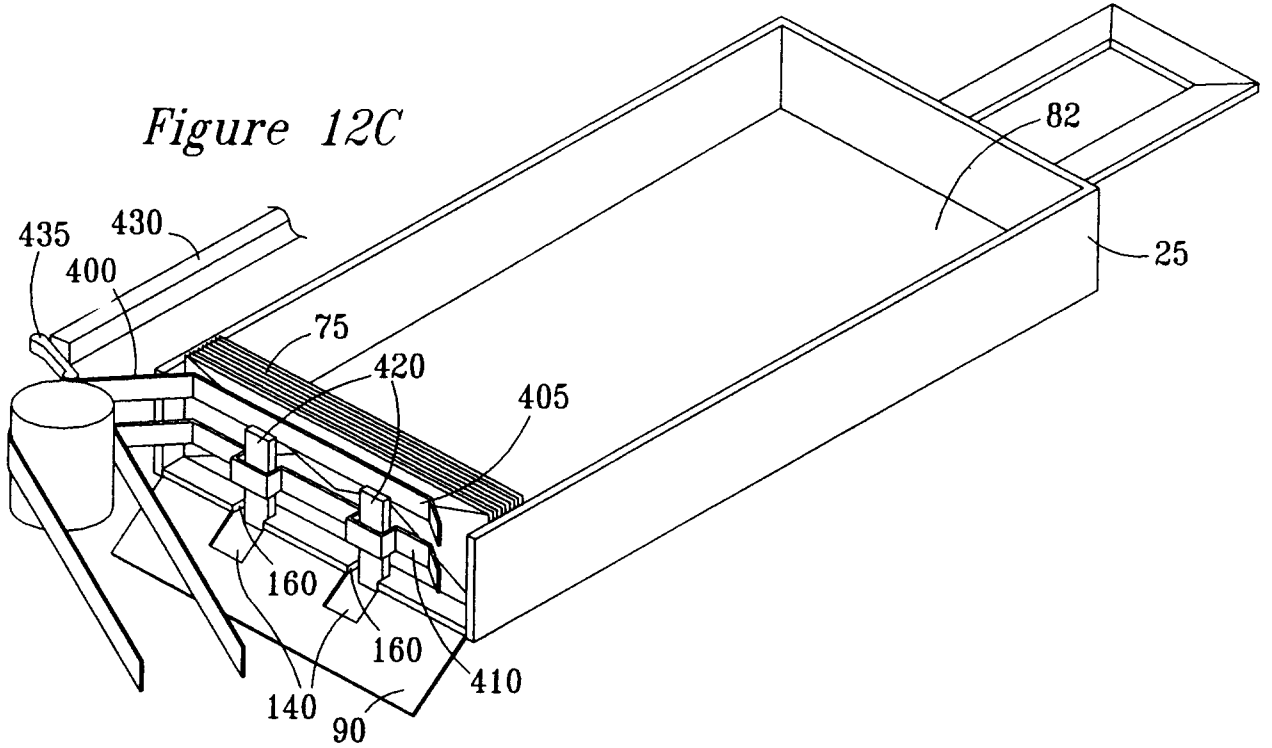
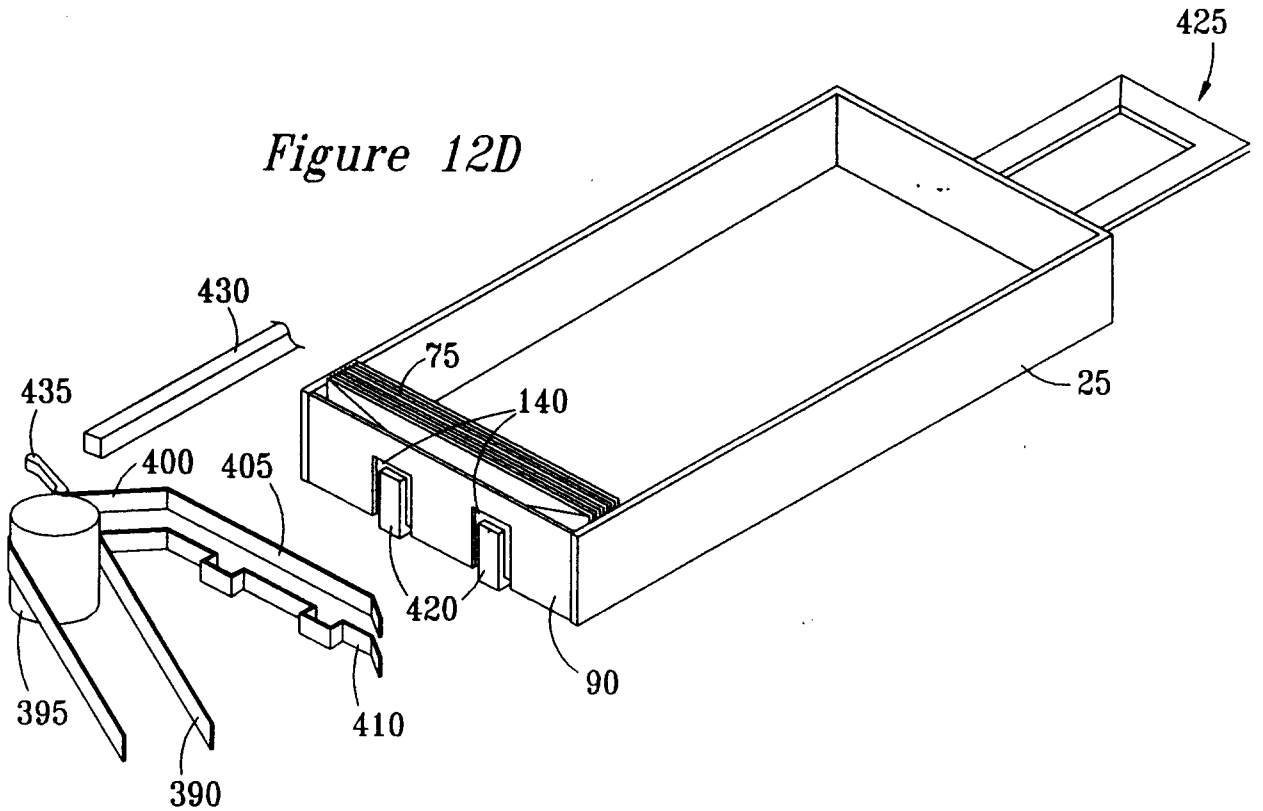


Figure 12D



15/24

Figure 11A

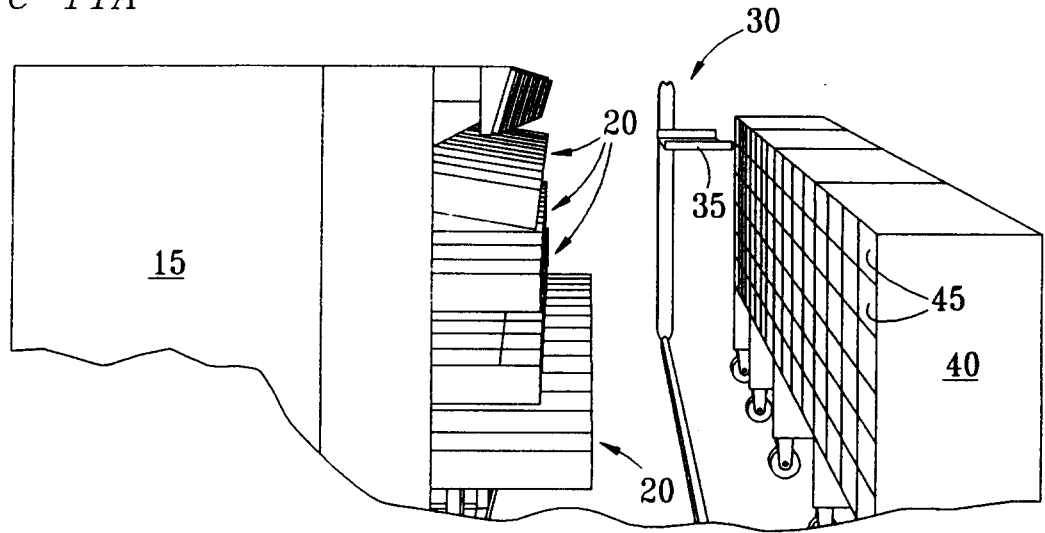


Figure 11B

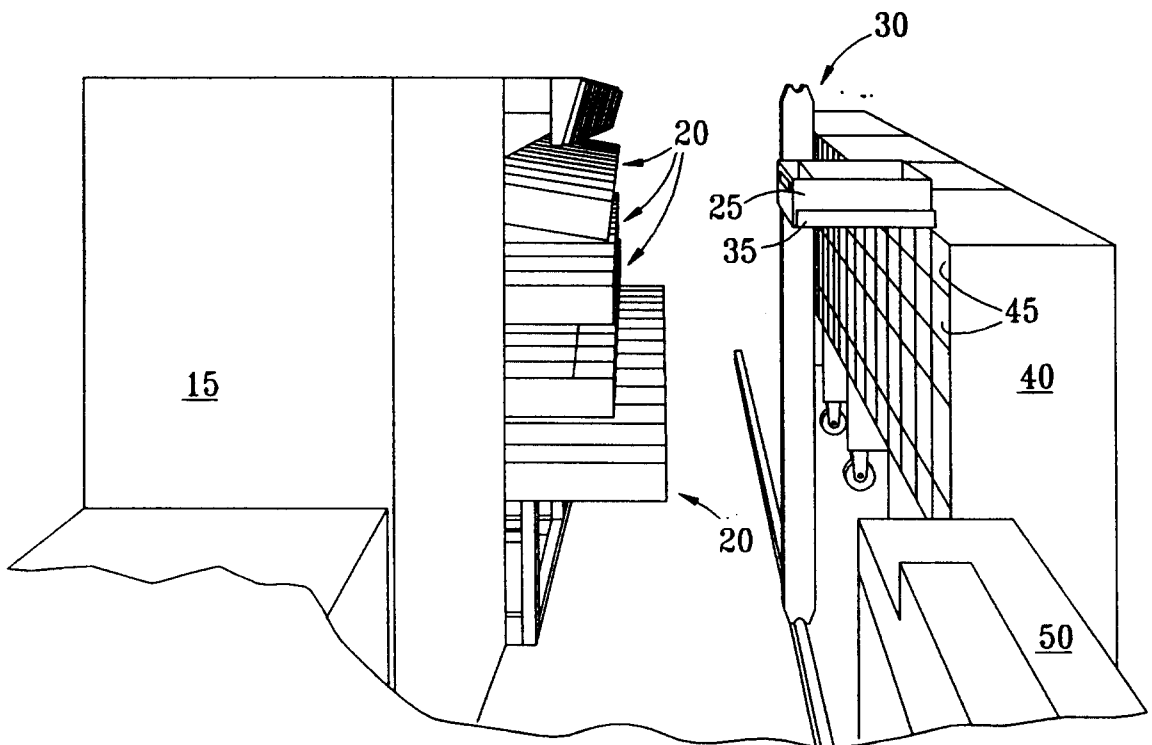


Figure 11C

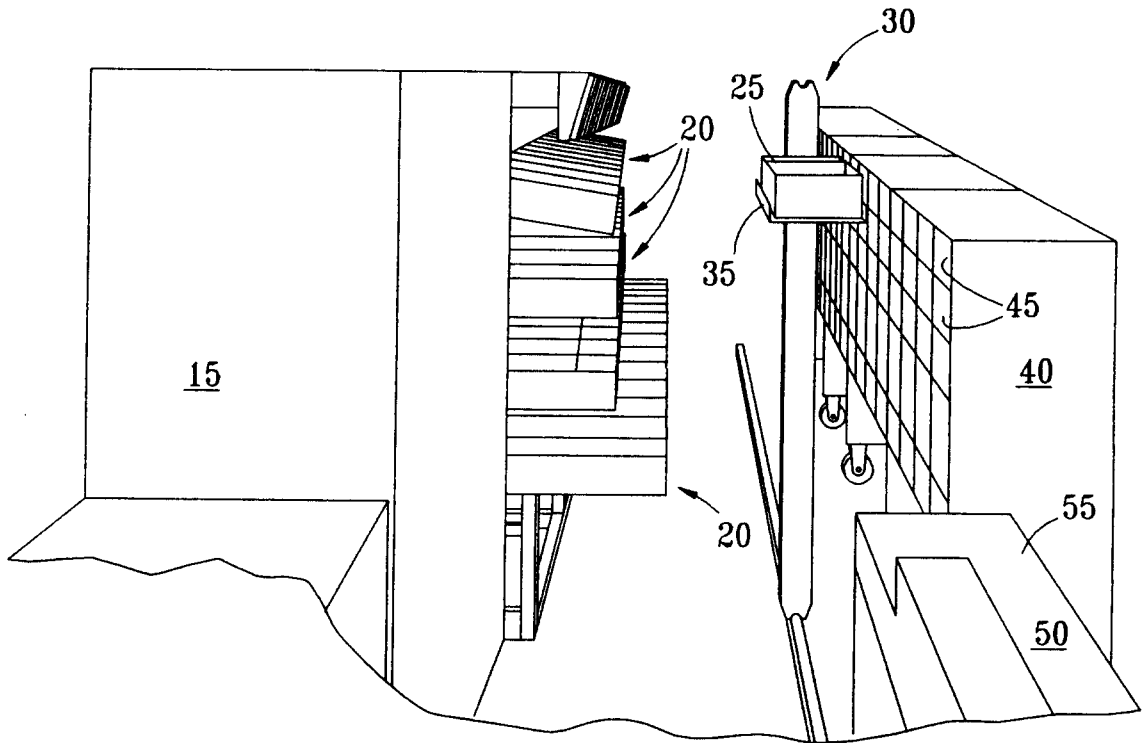
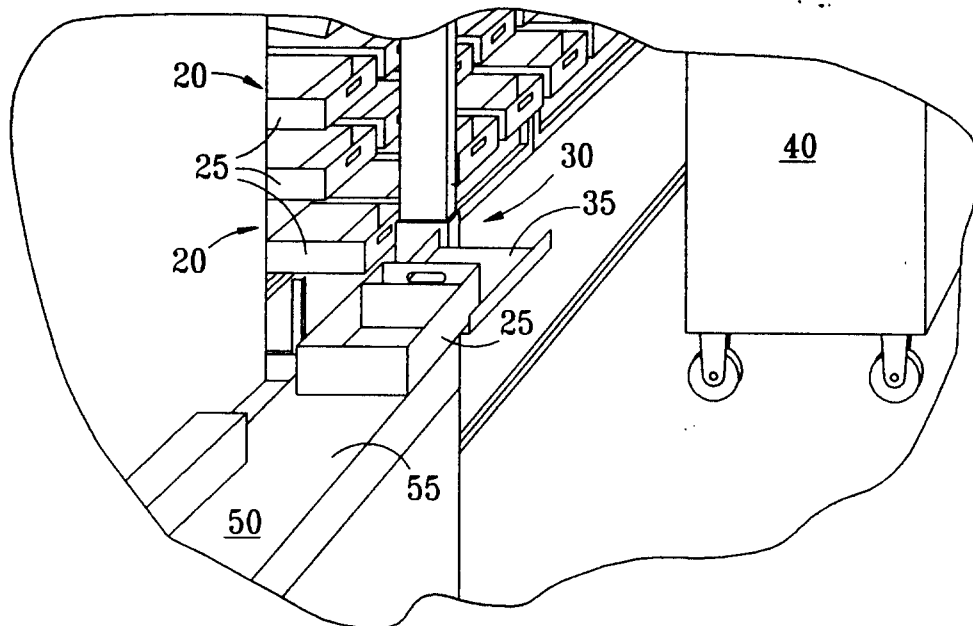


Figure 11D



17/24

Figure 11E

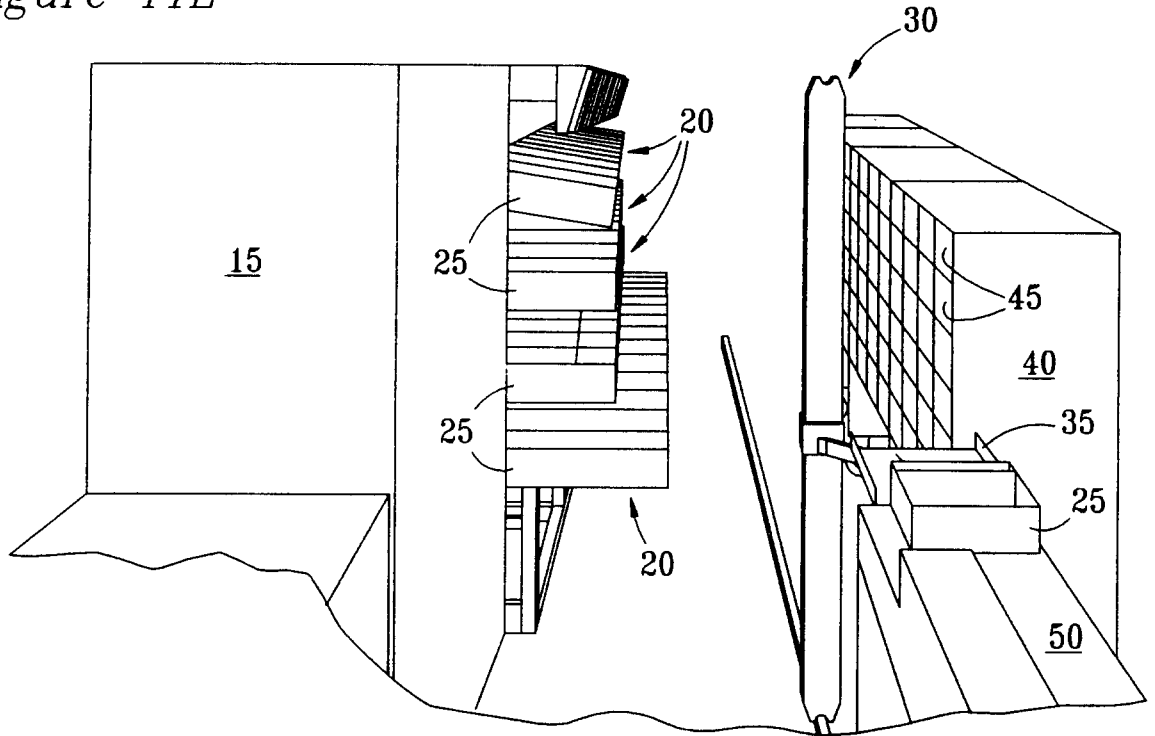
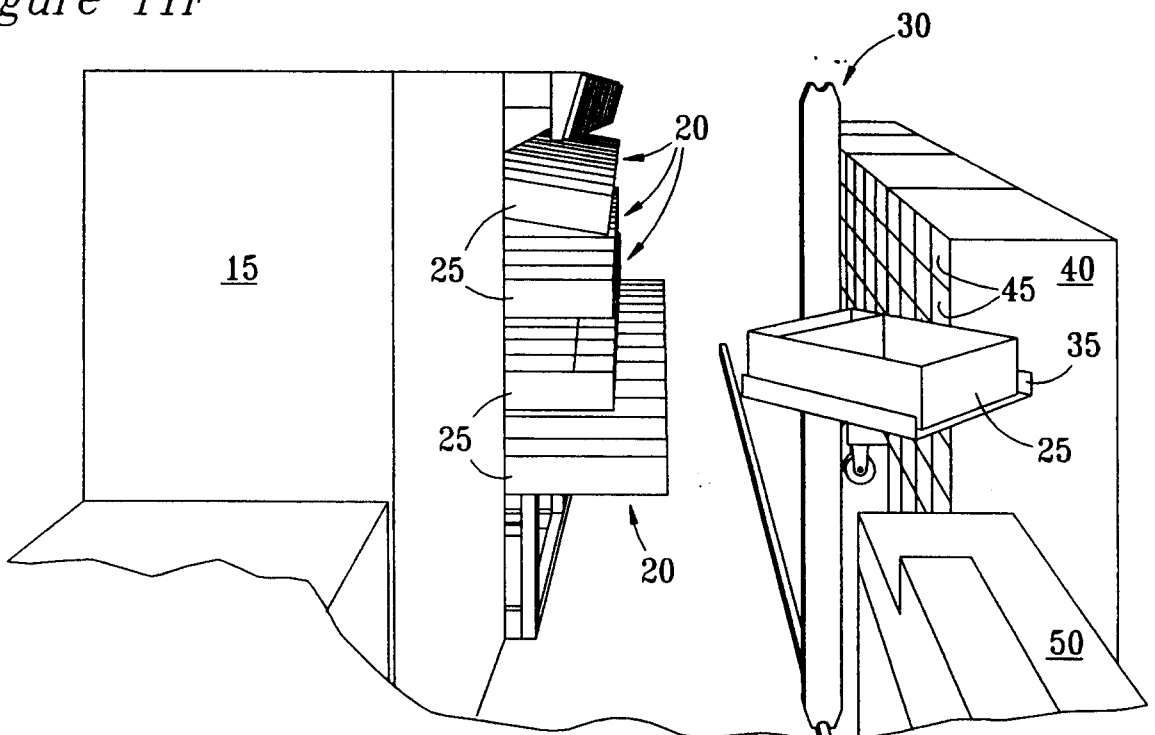


Figure 11F



18/24

Figure 11G

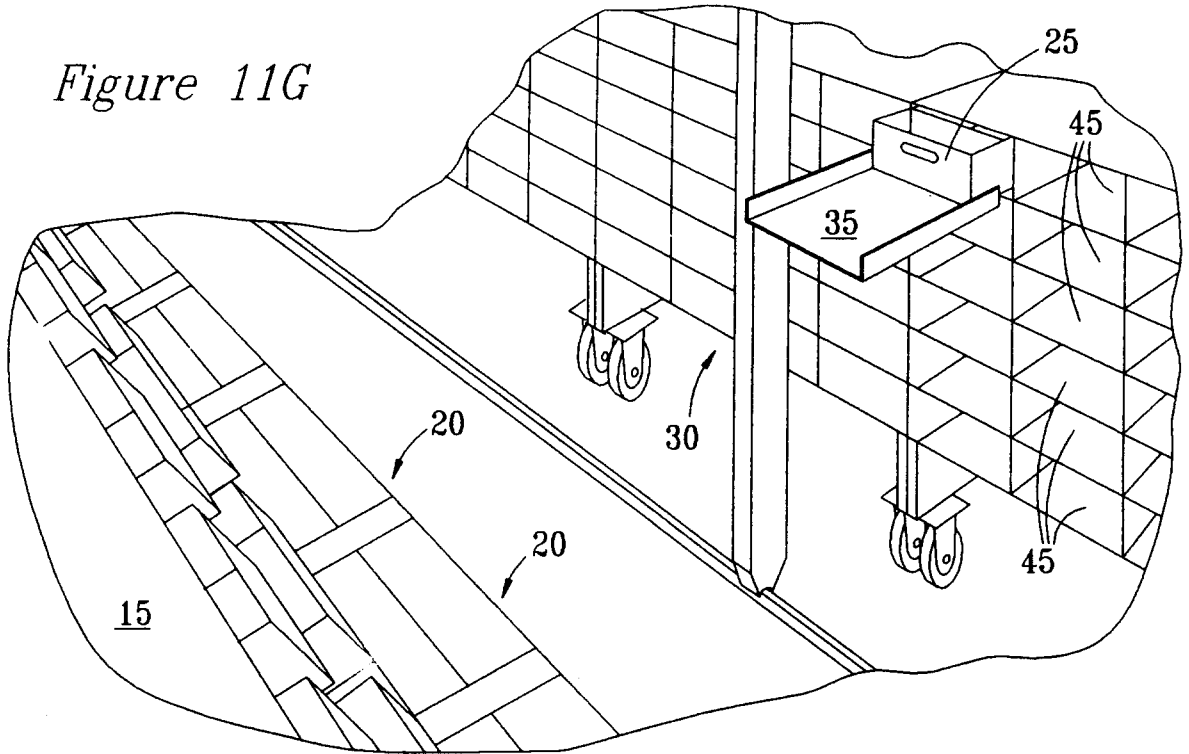
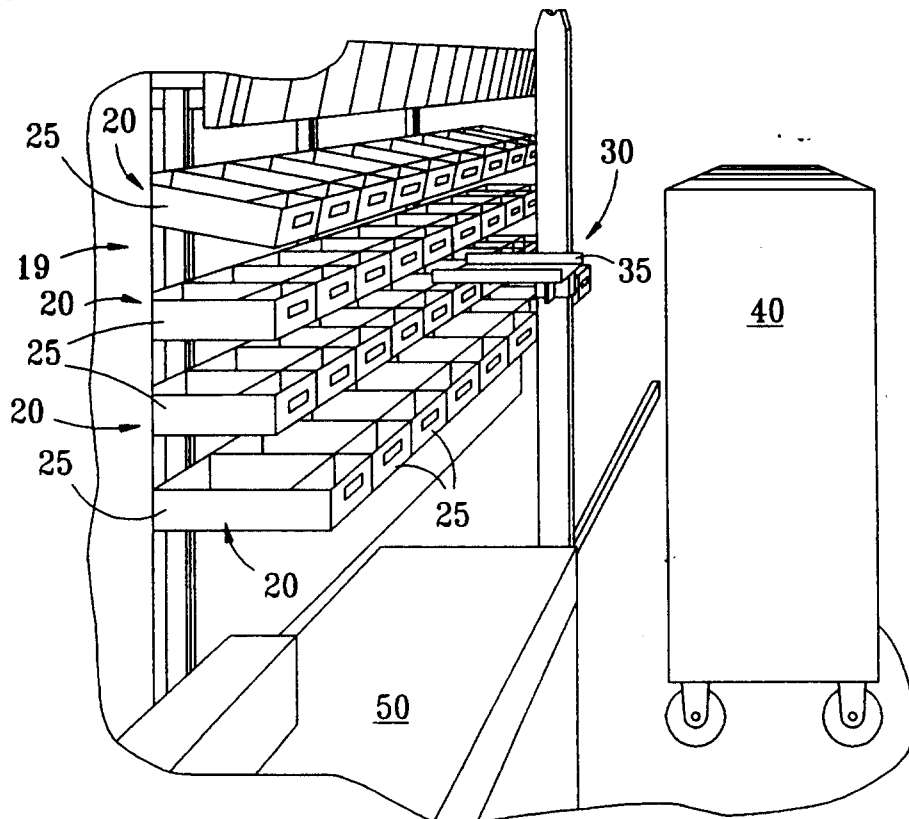


Figure 11H



PCT/US 97/05823

OCT 1997

19/24

Figure 11I

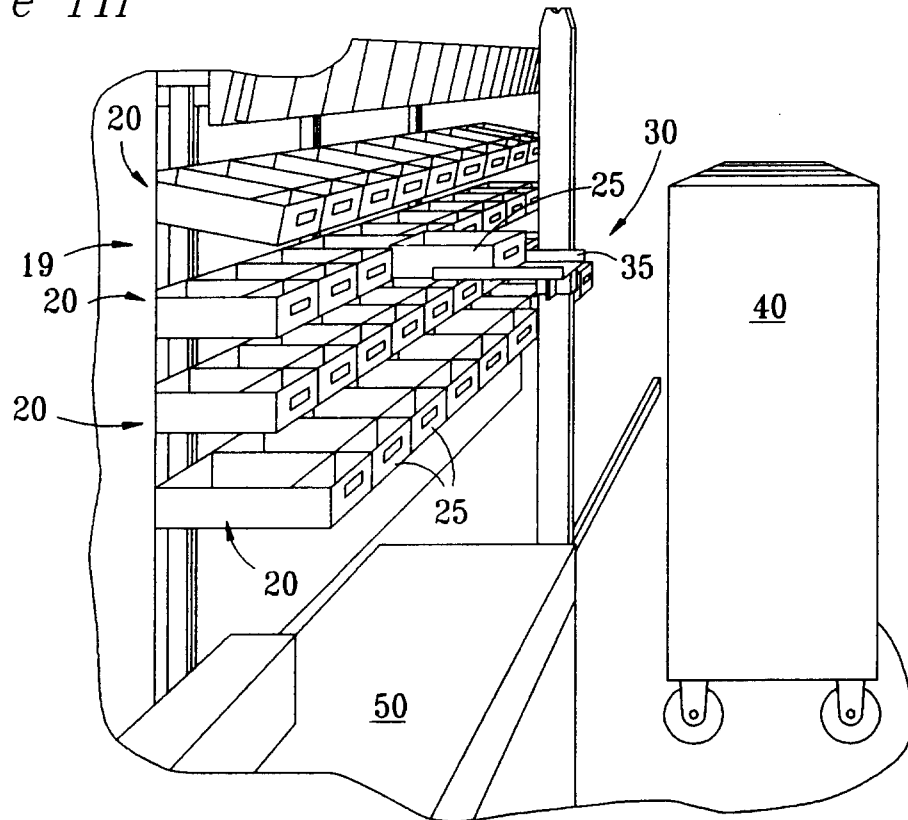


Figure 11J

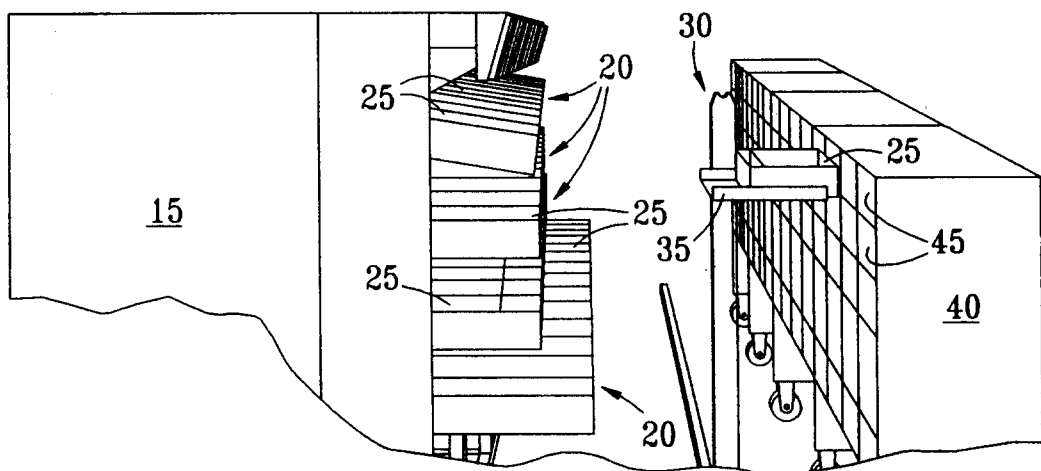


Figure 11K

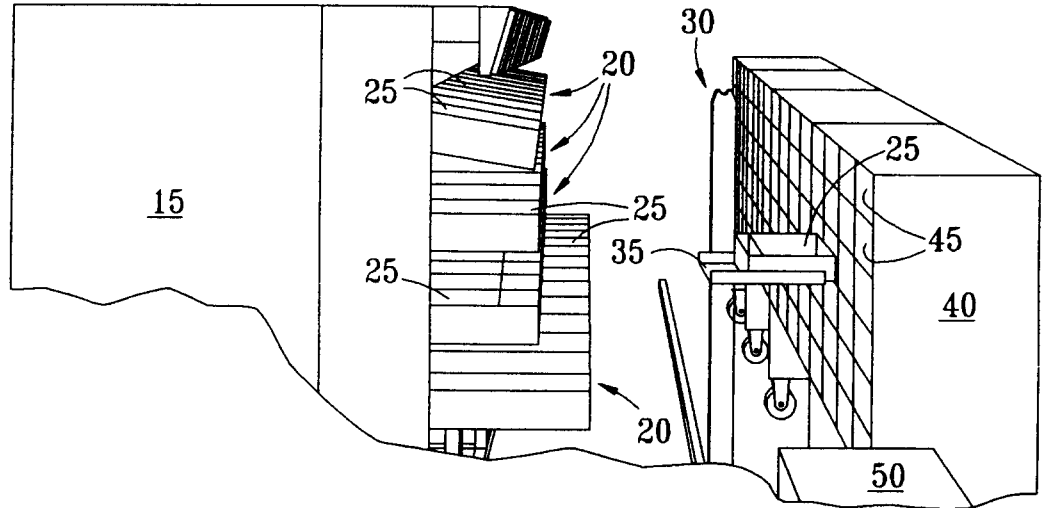


Figure 11L

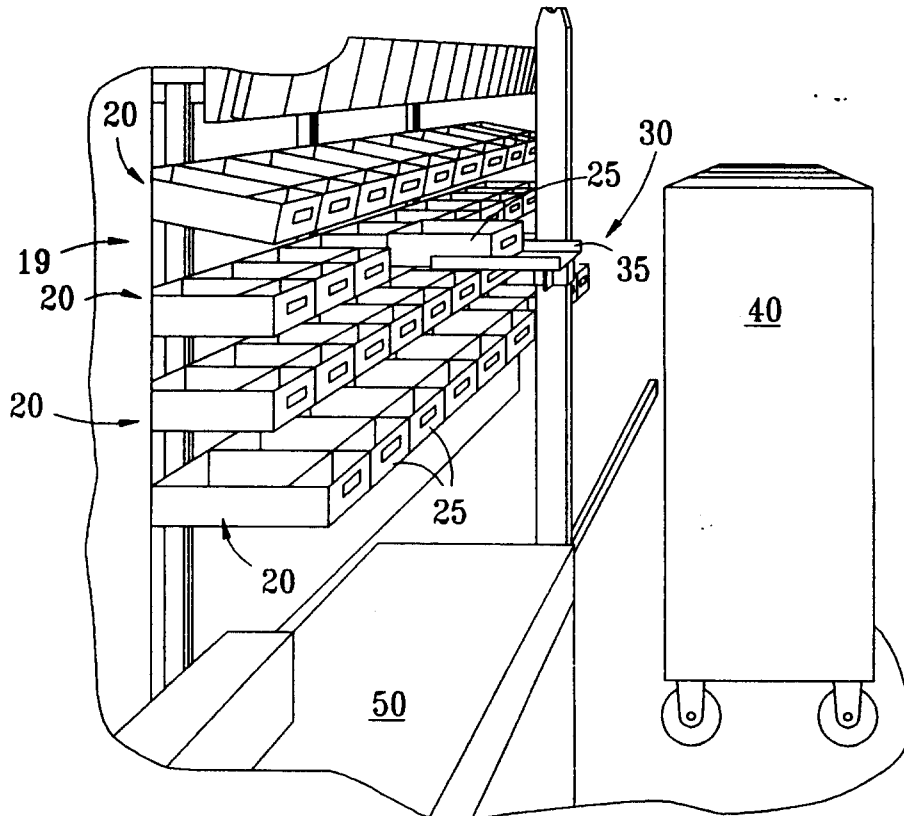


Figure 13A

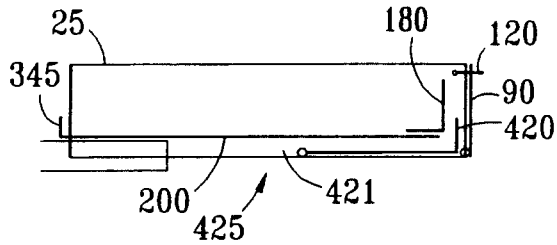


Figure 13B

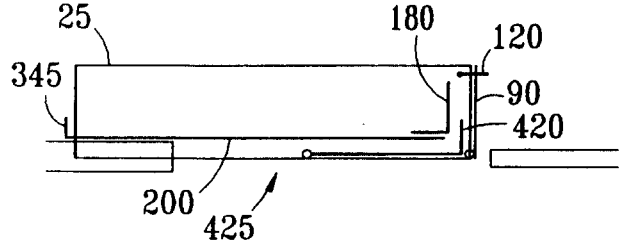


Figure 13C

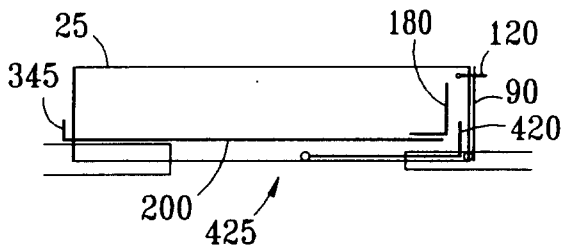


Figure 13D

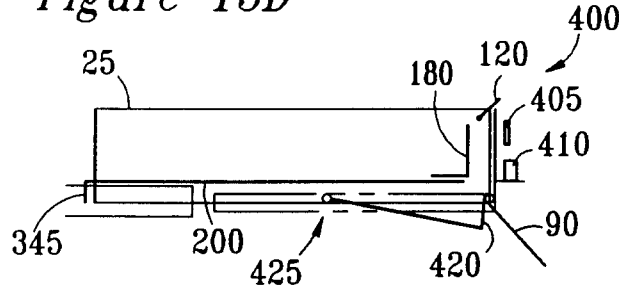


Figure 13E

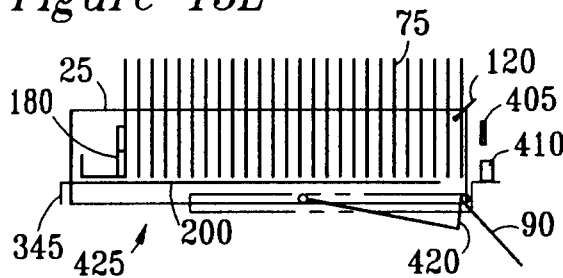


Figure 13F

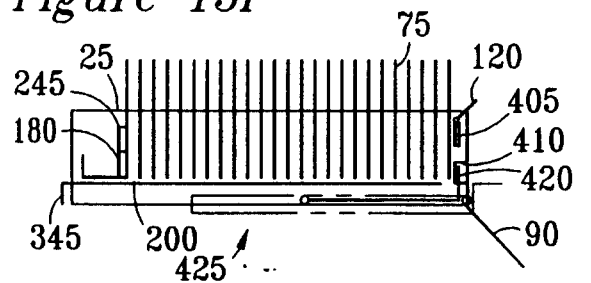


Figure 13G

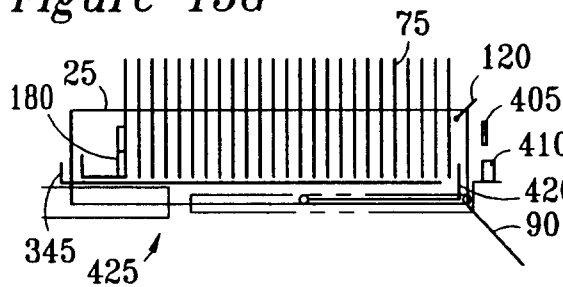


Figure 13H

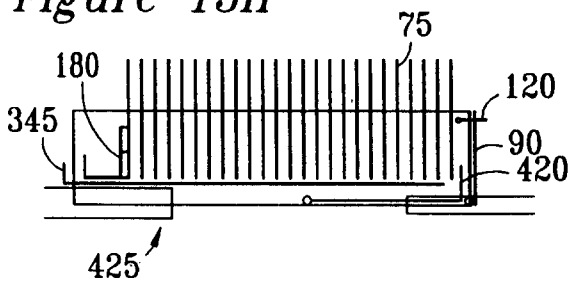
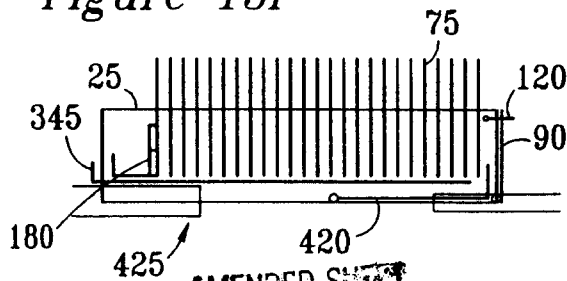


Figure 13I



PCT/US 97/05823
IP/EA/US 28 OCT 1997

22/24

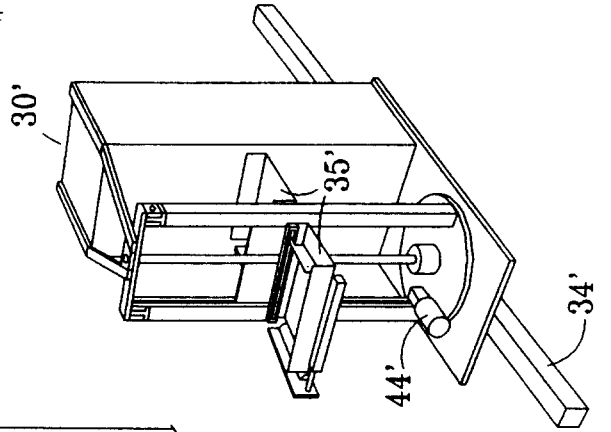


Figure 14

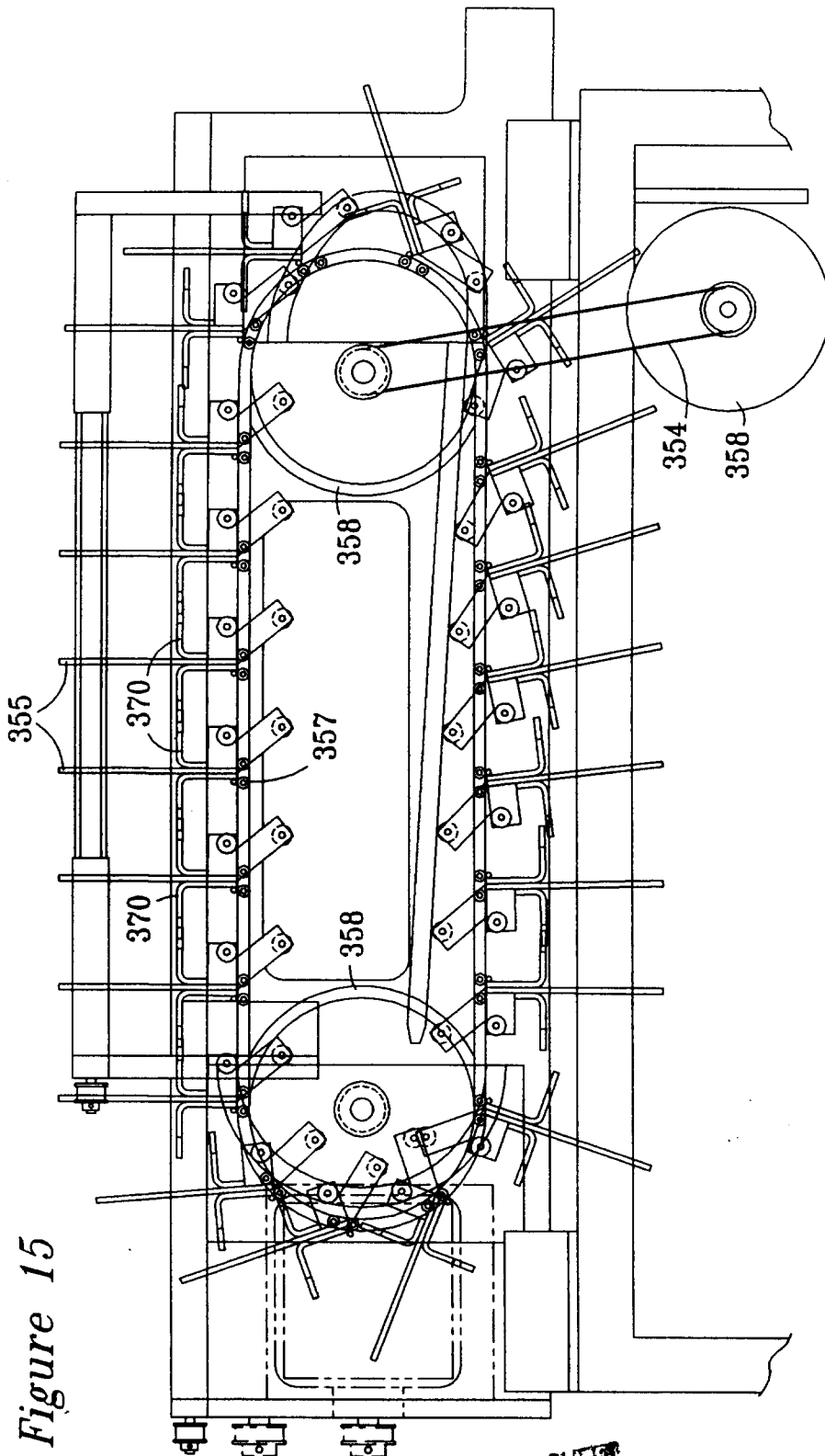


Figure 15

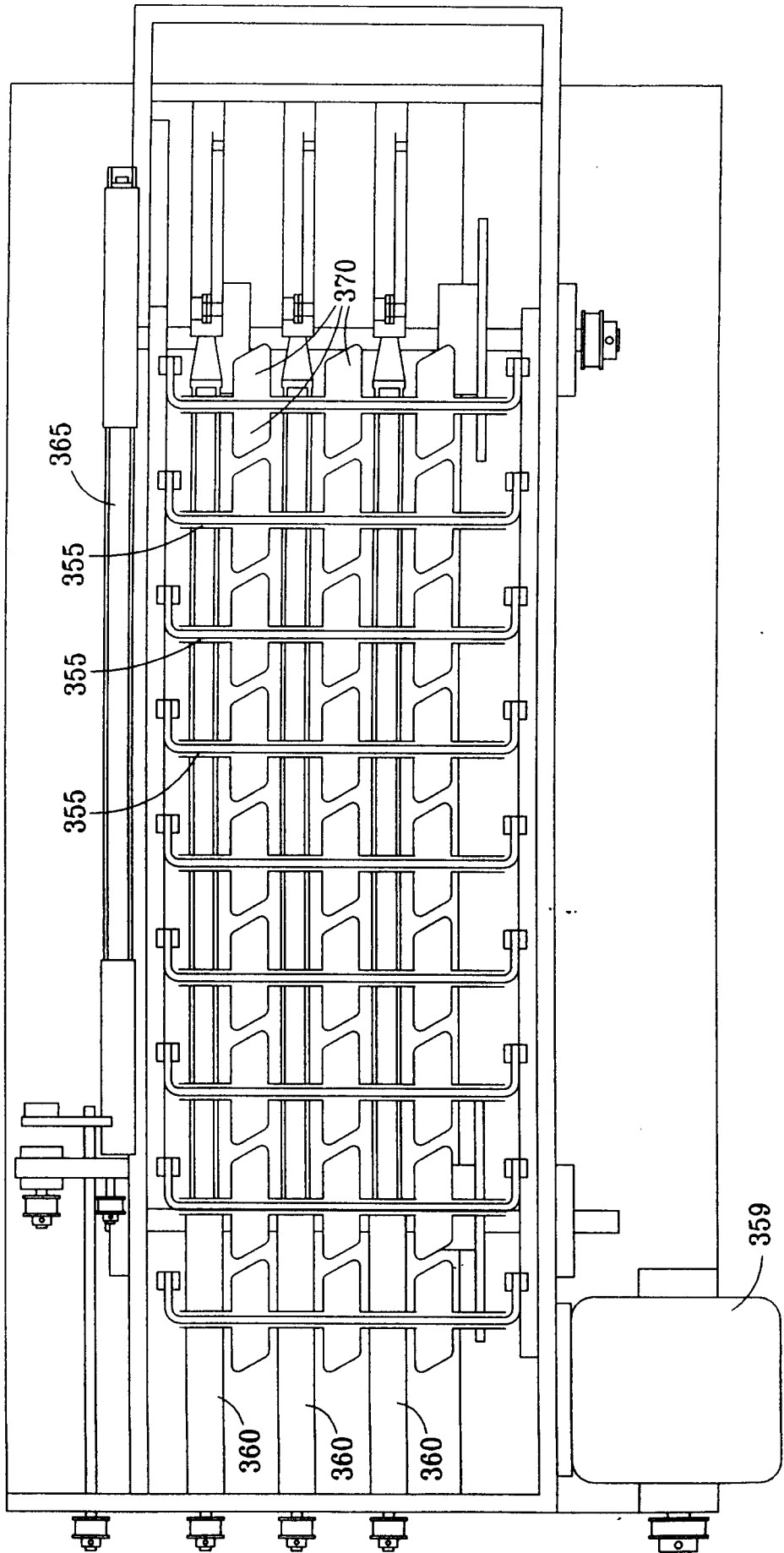
ANNEXED SHEET

PGP/CS 374 0582 3

IP/CS 28 OCT 1997

23/24

Figure 16



PATENT 2,058,233
FILED 28 OCT 1997

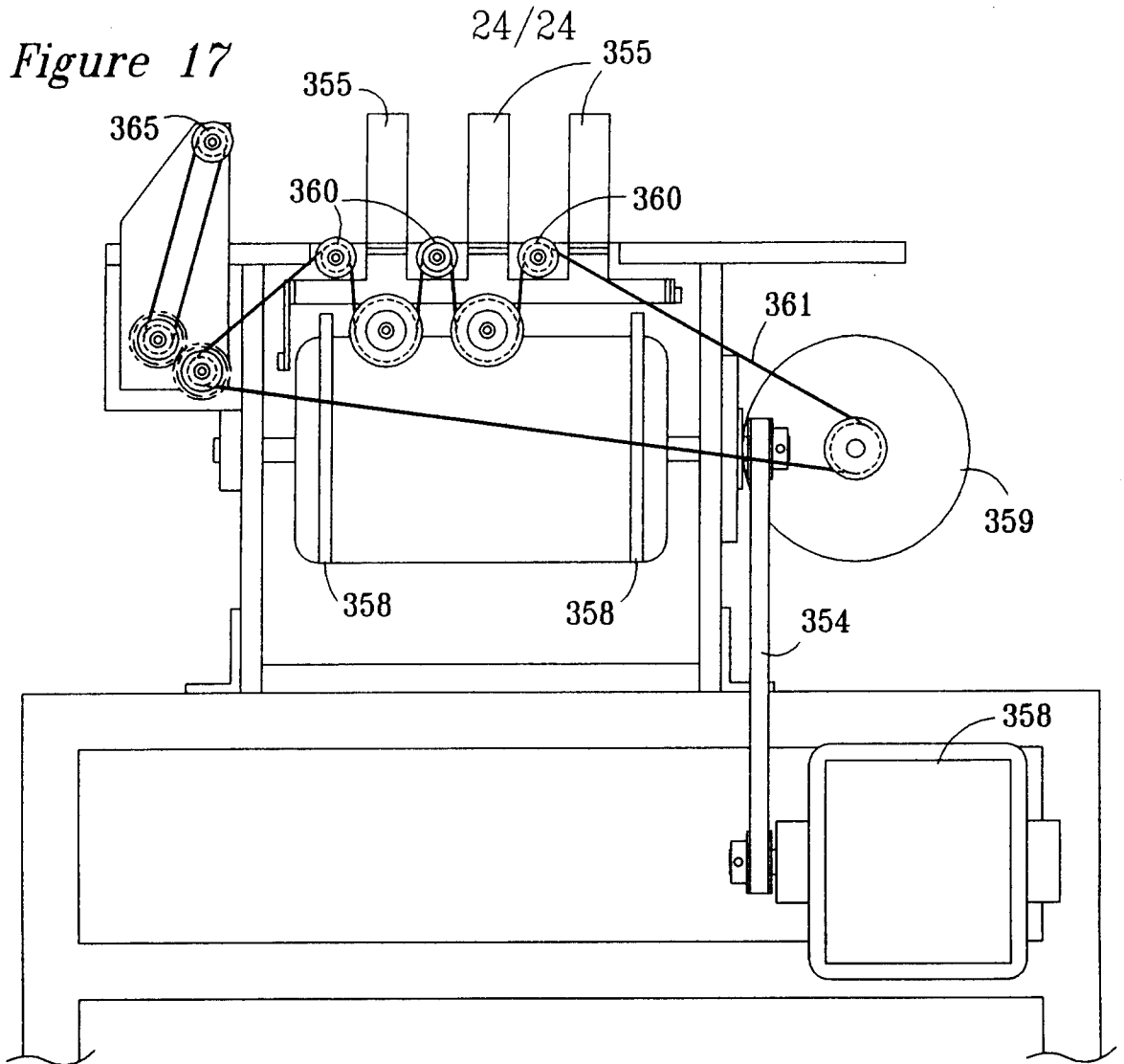


Figure 18

