



US00D784075S

(12) **United States Design Patent**
Kestenbaum

(10) **Patent No.:** **US D784,075 S**

(45) **Date of Patent:** **** Apr. 18, 2017**

(54) **WATER CONTAINER**

(74) *Attorney, Agent, or Firm* — Cantor Colburn LLP

(71) Applicant: **SharkNinja Operating LLC**, Newton, MA (US)

(57) **CLAIM**

We claim, the ornamental design for a water container, as shown and described.

(72) Inventor: **Daniel Kestenbaum**, Brookline, MA (US)

DESCRIPTION

(73) Assignee: **SHARKNINJA OPERATING LLC**, Newton, MA (US)

FIG. 1 is a perspective view of a water container showing our new design;

(**) Term: **15 Years**

FIG. 2 is a front view of the embodiment shown in FIG. 1; FIG. 3 is a back view of the embodiment shown in FIG. 1; FIG. 4 is a top plan view of the embodiment shown in FIG. 1;

(21) Appl. No.: **29/530,398**

FIG. 5 is a bottom plan view of the embodiment shown in FIG. 1;

(22) Filed: **Jun. 16, 2015**

FIG. 6 is a side view of the embodiment shown in FIG. 1; FIG. 7 is another side view of the embodiment shown in FIG. 1;

(51) **LOC (10) Cl.** **07-99**

(52) **U.S. Cl.**

USPC **D7/397; D7/401**

(58) **Field of Classification Search**

USPC D7/400, 397, 399, 313, 306-311, 312, D7/401; D9/549, 435, 520, 521, 772, (Continued)

FIG. 8 is an environmental perspective view of the embodiment shown in FIG. 1 as shown at a reduced scale;

FIG. 9 is a perspective view of a water container showing a second embodiment of our new design;

FIG. 10 is a front view of the embodiment shown in FIG. 9; FIG. 11 is a back view of the embodiment shown in FIG. 9; FIG. 12 is a top plan view of the embodiment shown in FIG. 9;

(56) **References Cited**

U.S. PATENT DOCUMENTS

D210,307 S * 2/1968 Breamscum D7/313
D211,855 S * 8/1968 Ulman D34/39
(Continued)

FIG. 13 is a bottom plan view of the embodiment shown in FIG. 9;

FIG. 14 is a side view of the embodiment shown in FIG. 9; FIG. 15 is another side view of the embodiment shown in FIG. 9; and,

OTHER PUBLICATIONS

Canadian Intellectual Property Office Appln. No. 165397, Examiner's Report; Mail Date: May 9, 2016; 3 pages.

(Continued)

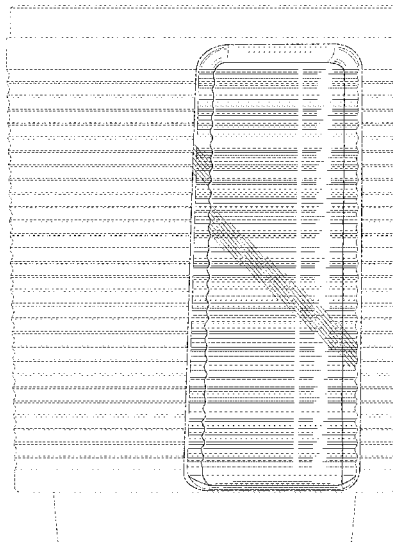
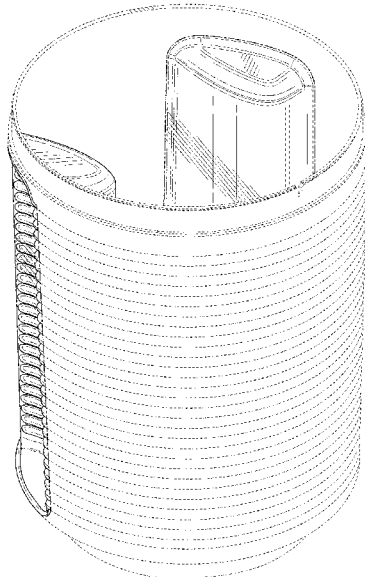
FIG. 16 is an environmental perspective view of the embodiment shown in FIG. 9 as shown at a reduced scale.

The broken lines are for environmental purpose only and form no part of the claimed design.

The dash-dot lines in the drawing represent the bounds of the claim and form no part of the claimed design.

Primary Examiner — Marianne Pandozzi

1 Claim, 16 Drawing Sheets



(58) **Field of Classification Search**

USPC D9/530; D30/132; D10/46.2, 101;
 D32/29.1; 220/675; 215/12.2, 382;
 D34/39; 99/279
 CPC A45D 33/18; A01K 7/00; A47J 42/18;
 B29C 47/0023; H01M 2/0237; C12C
 11/003

See application file for complete search history.

(56) **References Cited**

U.S. PATENT DOCUMENTS

D333,704 S * 3/1993 Malcolm D24/197
 D360,100 S * 7/1995 Van Den Berghe D7/306
 D370,153 S * 5/1996 Chaney D7/503
 D378,883 S * 4/1997 Magnusson D23/209
 5,850,935 A * 12/1998 Luburic B65D 1/40
 206/508
 D419,822 S * 2/2000 Woodyard D7/306
 D443,780 S * 6/2001 Kauzlarich D32/30
 D448,302 S * 9/2001 Cheng D9/530
 D449,538 S * 10/2001 Burleson D9/530
 D449,539 S * 10/2001 Lakatos D9/530
 D472,814 S * 4/2003 Wright D9/530
 D473,142 S * 4/2003 Beaver D9/530
 D483,269 S * 12/2003 Walsh D9/522
 D507,970 S * 8/2005 Bonaldes D9/516
 D512,641 S * 12/2005 Anderson D9/530
 D588,918 S * 3/2009 Young D9/516
 D643,669 S * 8/2011 Burgess D7/306
 D645,755 S * 9/2011 Corbett D9/517
 D690,150 S * 9/2013 Cahen D7/309
 D756,231 S * 5/2016 Zweifel D9/530
 2005/0218108 A1 * 10/2005 Bangi B65D 1/0223
 215/384

OTHER PUBLICATIONS

Japaense Appl. No. 2015-028007 Notice of Allowance; Mail Date:
 Oct. 7, 2016; 2 pages.
 Japanese Appl. No. 201-028004, Notice of Allowance; Mail Date:
 Oct. 7, 2016; 2 pages.
 Japanese Appl. No. 2015-028003 Notice of Allowance, Dated:
 Oct. 21, 2016; 2 pages.
 Japanese Appl. No. 2015-028005 Notice of Allowance; Mail Date:
 Oct. 7, 2016; 2 pages.
 Japanese Appl. No. 2015-028006 Notice of Allowance; Mail Date:
 Oct. 21, 2016; 2 pages.
 Japanese Appl. No. 2015-028008 Notice of Allowance; Mail Date
 Oct. 7, 2016; 2 pages.
 Republic of Korea Appln. No. 30-2015-0064433[M001]; Office
 Action; Dated: Jun. 23, 2016; 6 pages.
 Republic of Korea Appln. No. 30-2015-0064433[M002]; Office
 Action; Dated: Jun. 23, 2016; 6 pages.
 Republic of Korea Appln. No. 30-2015-0064433[M003]; Office
 Action; Dated: Jun. 23, 2016; 6 pages.
 Republic of Korea Appln. No. 30-2015-0064433[M004]; Notice of
 Allowance; Dated: Aug. 29, 2016; 6 pages.
 Republic of Korea Appln. No. 30-2015-0064433[M004]; Office
 Action; Dated: Jun. 23, 2016; 6 pages.
 Republic of Korea Appln. No. 30-2015-0064433[M005] Notice of
 Allowance; Dated: Aug. 29, 2016; 6 pages.
 Republic of Korea Appln. No. 30-2015-0064433[M005]; Office
 Action; Dated: Jun. 23, 2016; 6 pages.
 Republic of Korea Appln. No. 30-2015-0064433[M006] Notice of
 Allowance; Dated: Aug. 29, 2016; 6 pages.
 Republic of Korea Appln. No. 30-2015-0064433[M006]; Office
 Action; Dated: Jun. 23, 2016; 6 pages.
 The State Intellectual Property Office of the P.R. China Appln. No.
 201530536269.7, Notice of Completion of Formalities for Patent
 Register and Notice of Grant of Design Patent Right; Mailing Date:
 Apr. 26, 2016; 6 pages.

* cited by examiner

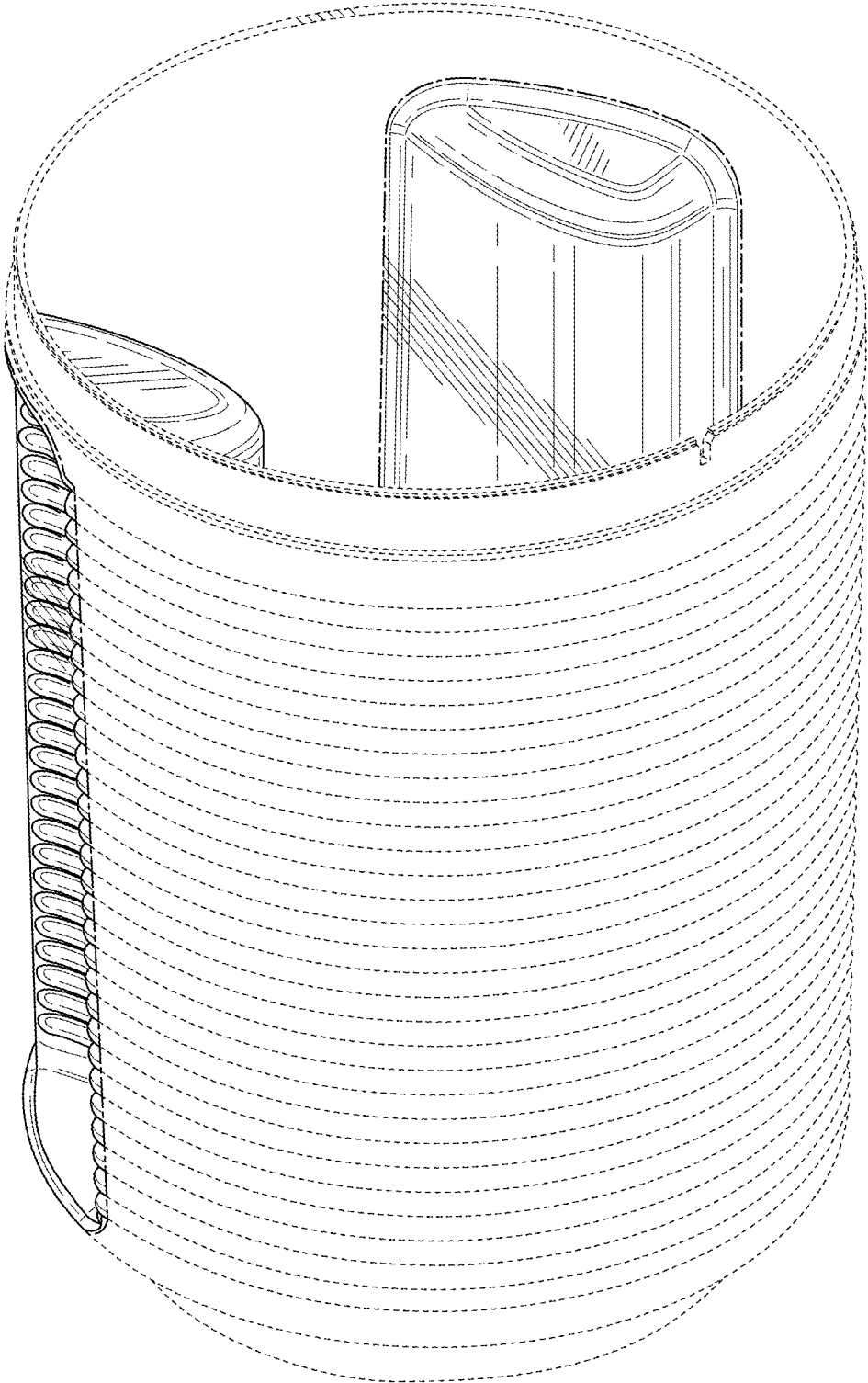


FIG. 1

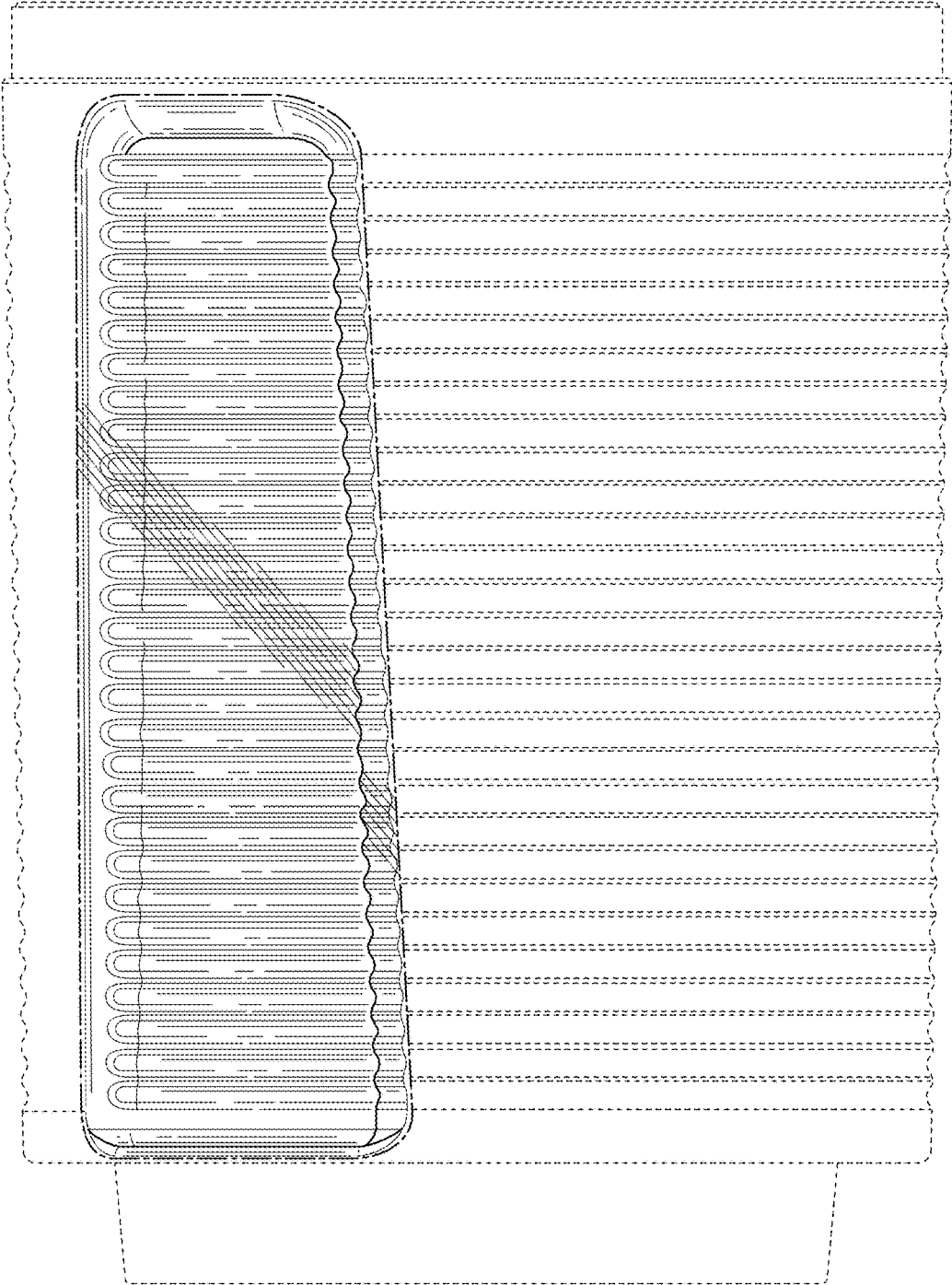


FIG. 2

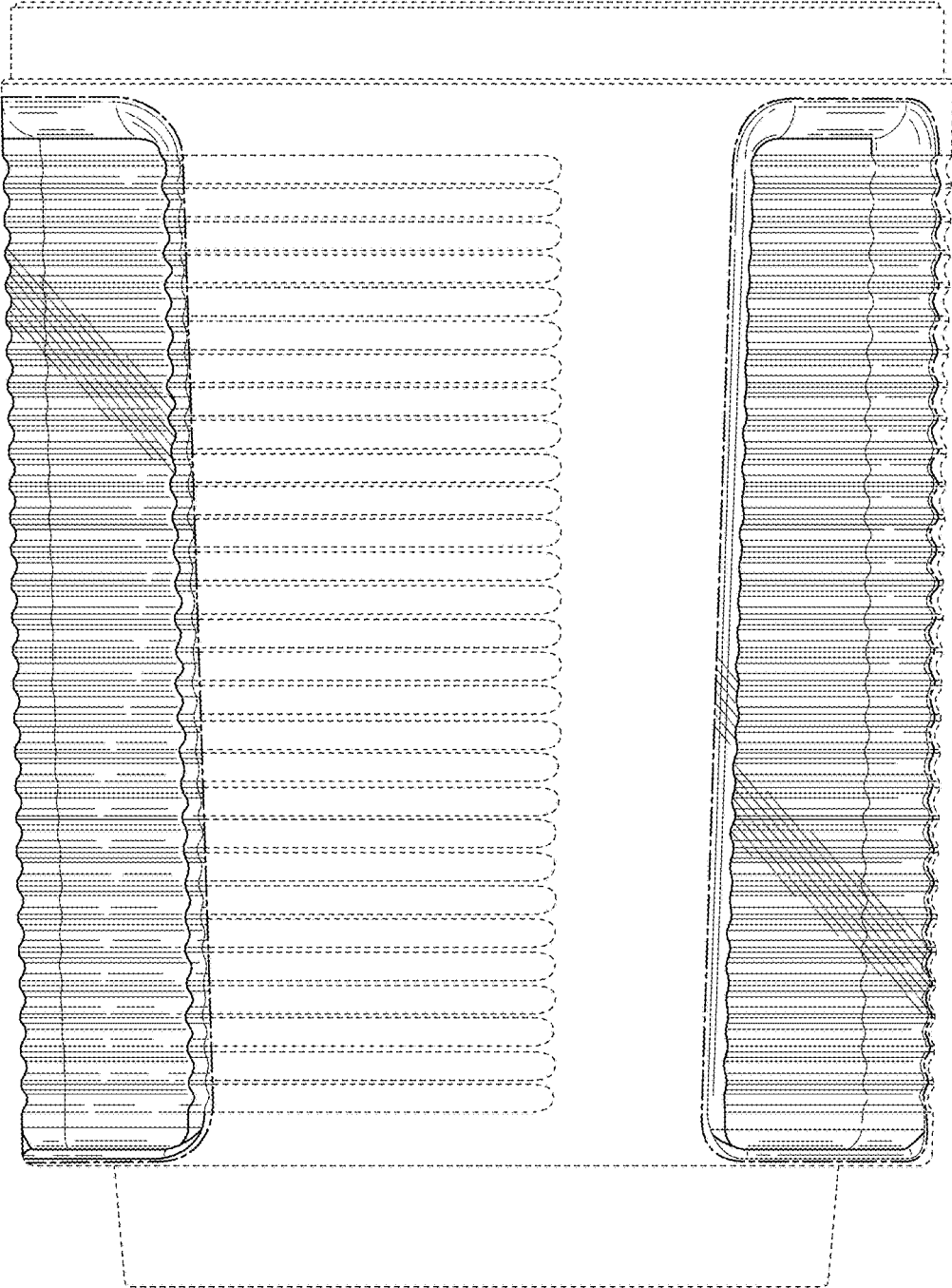


FIG. 3

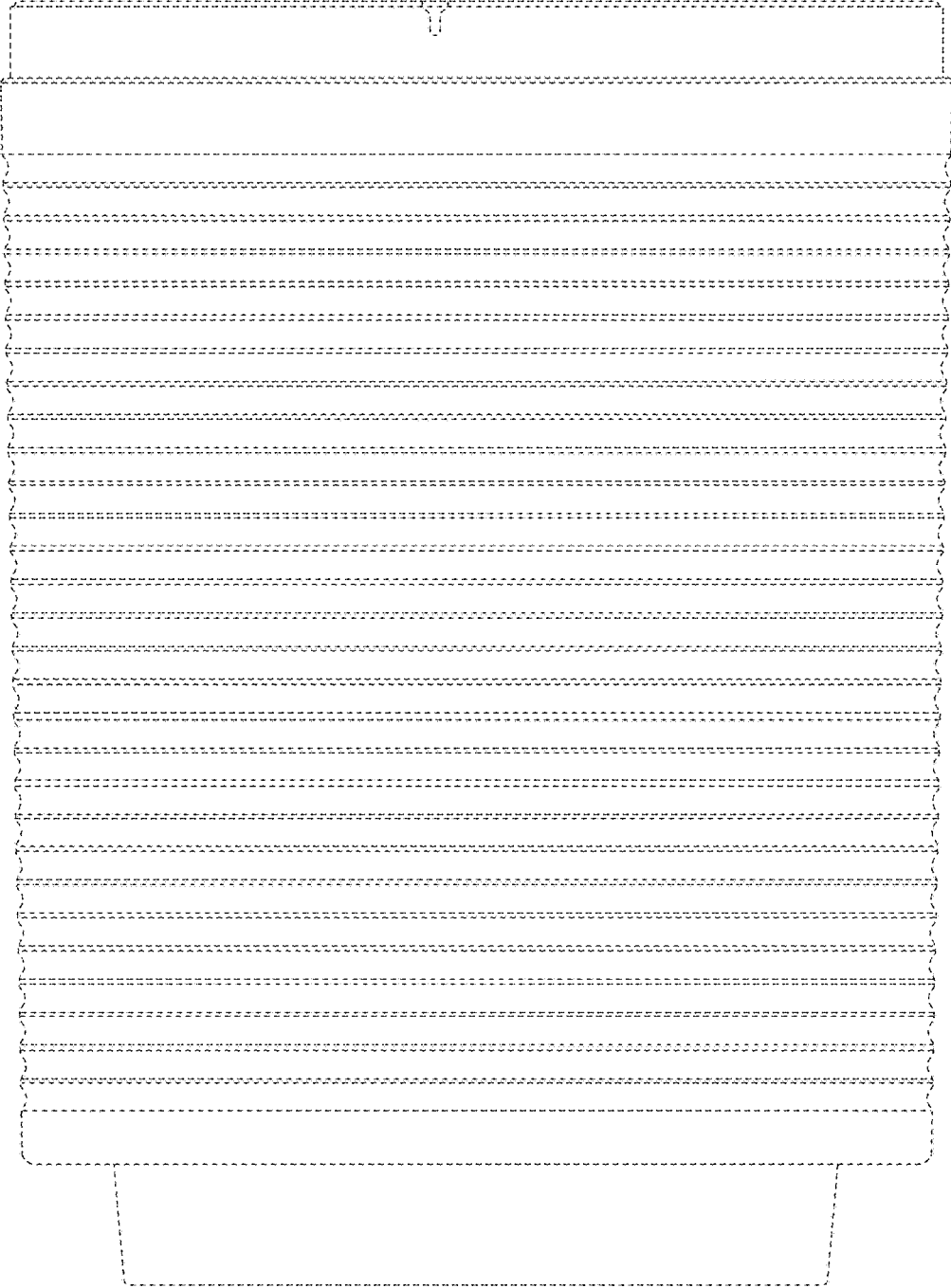


FIG. 4

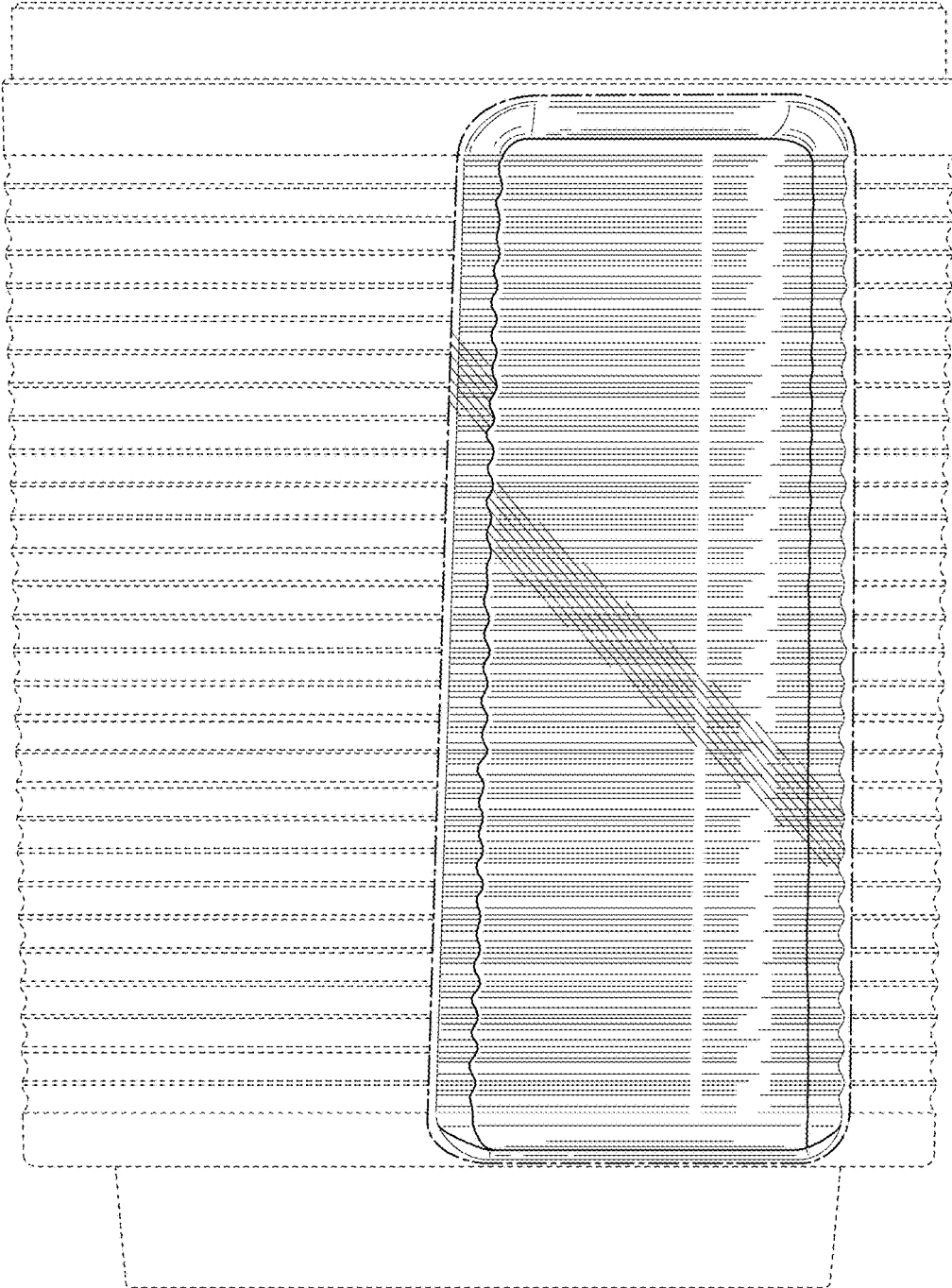


FIG. 5

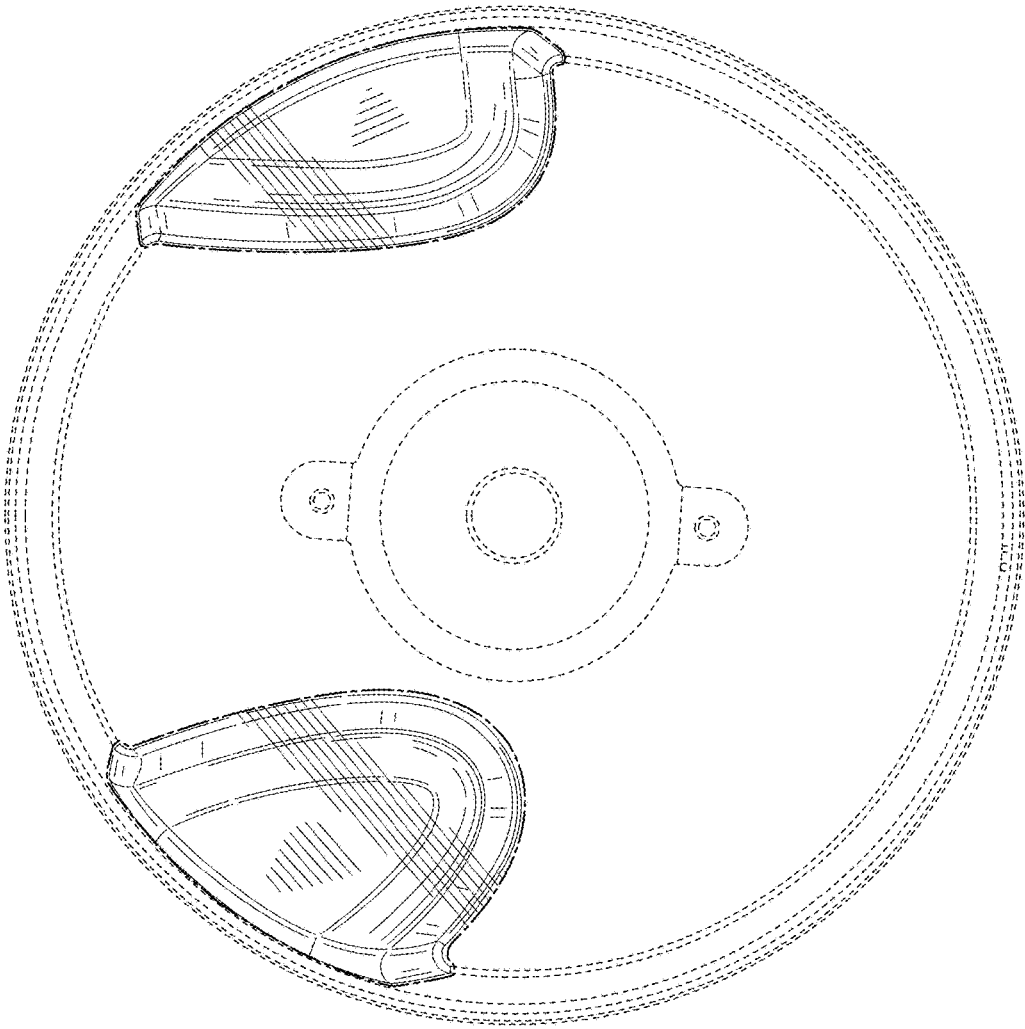


FIG. 6

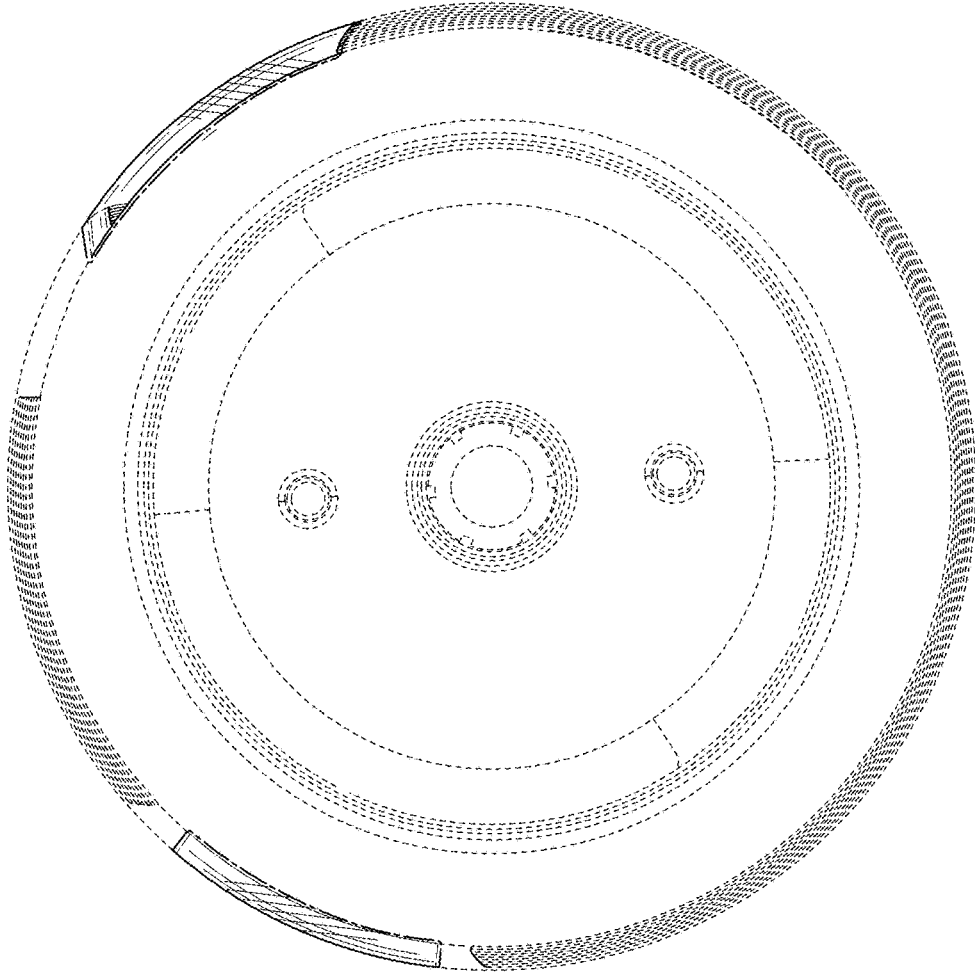


FIG. 7

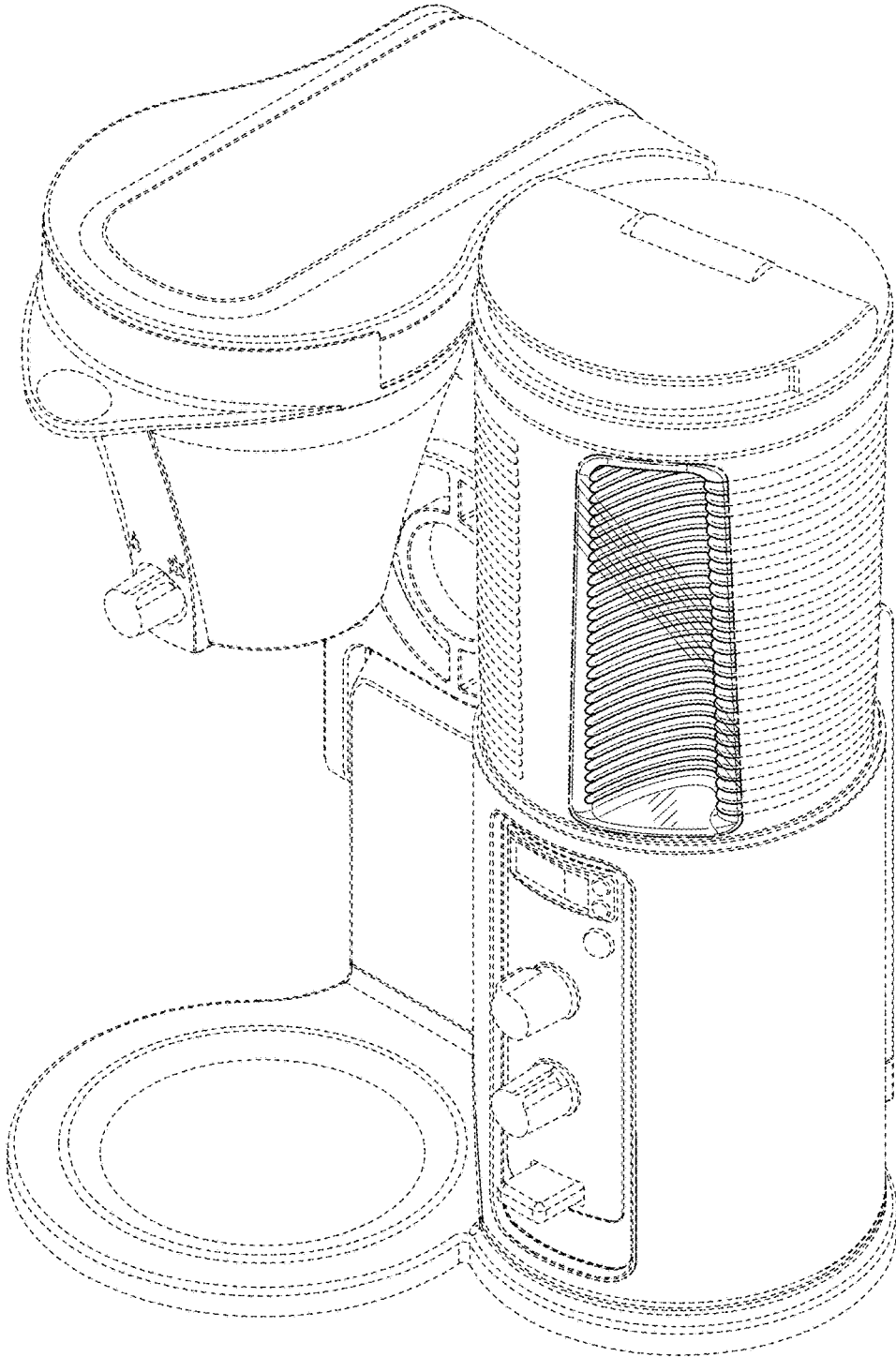


FIG. 8

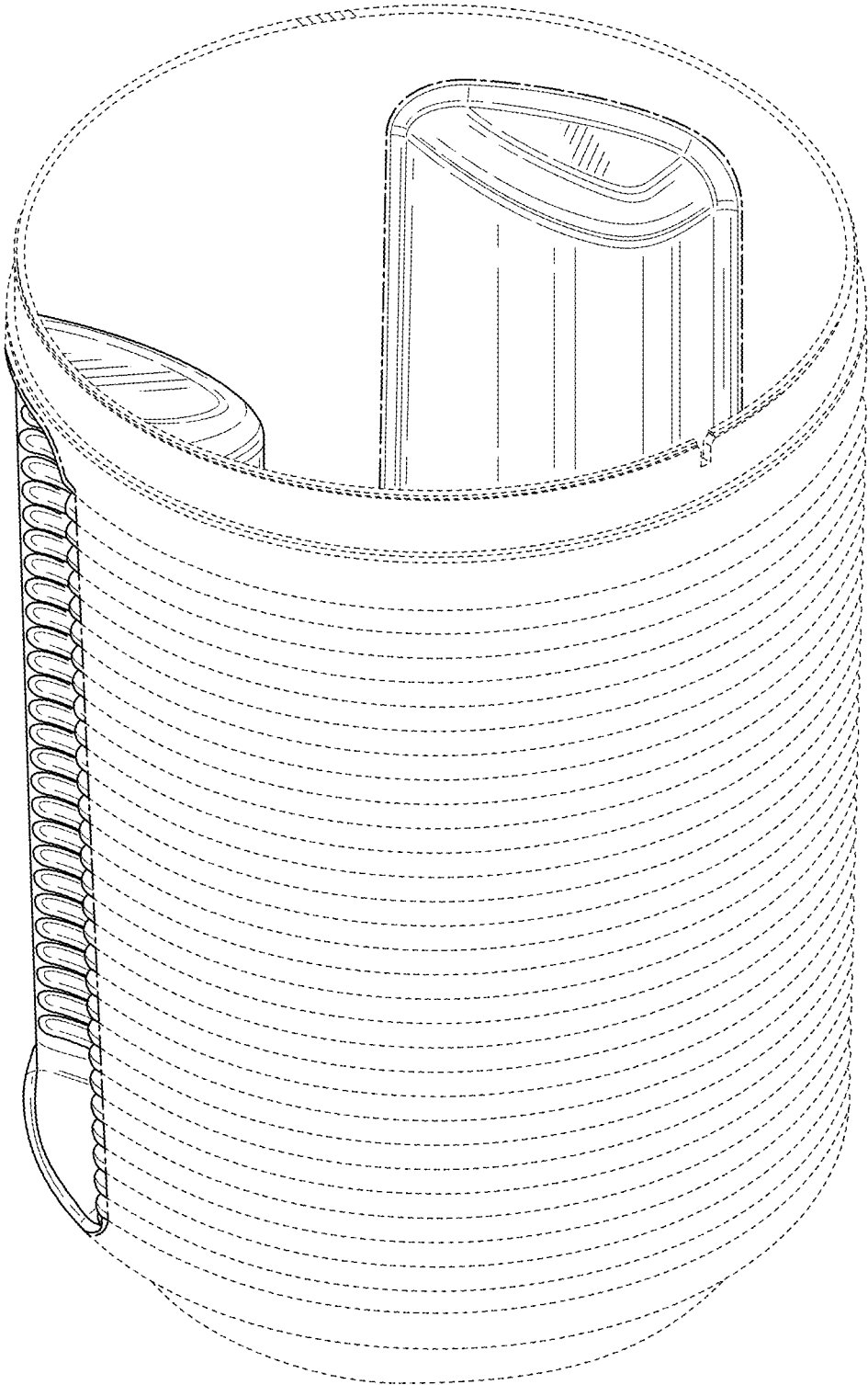


FIG. 9

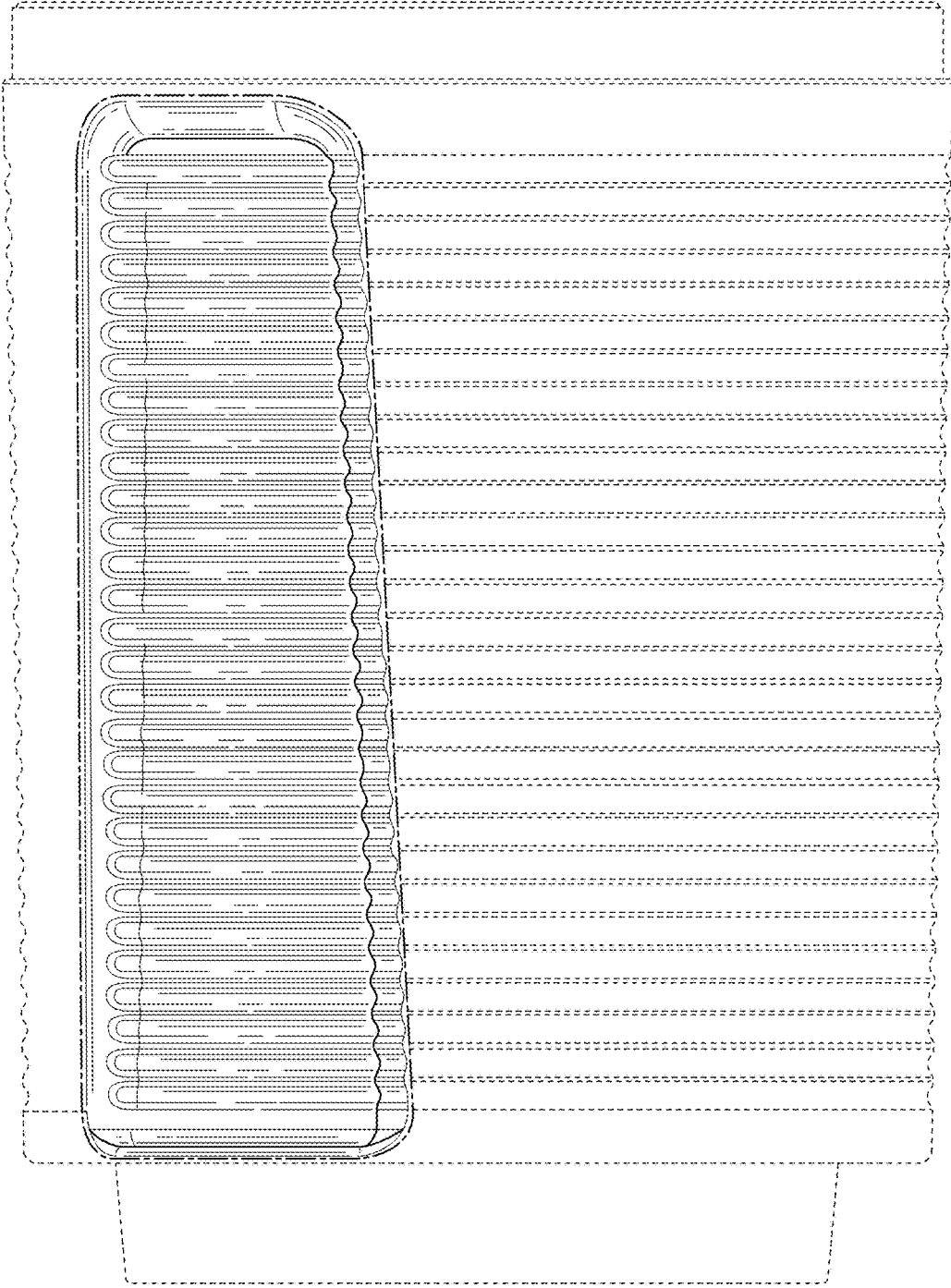


FIG. 10

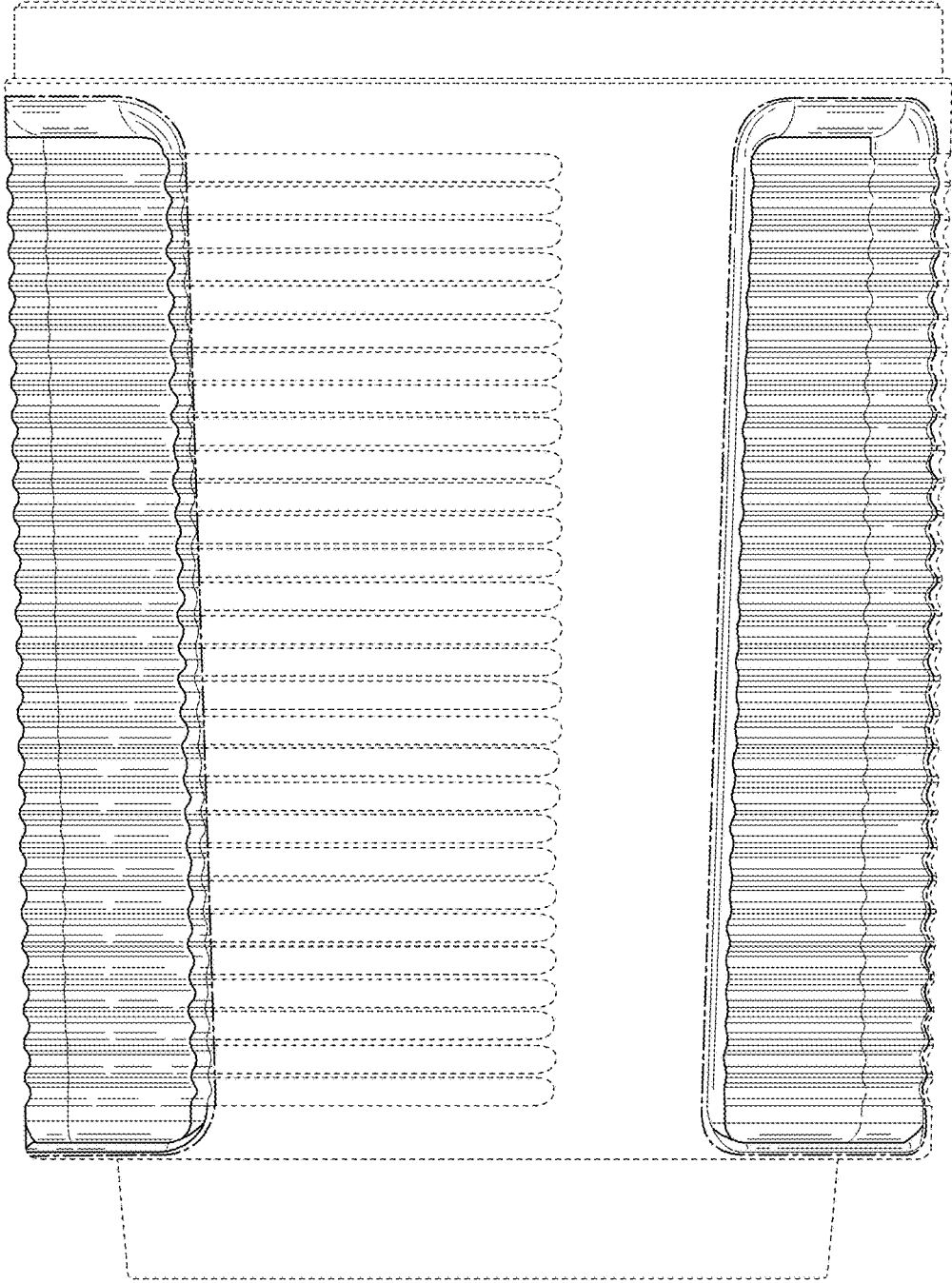


FIG. 11

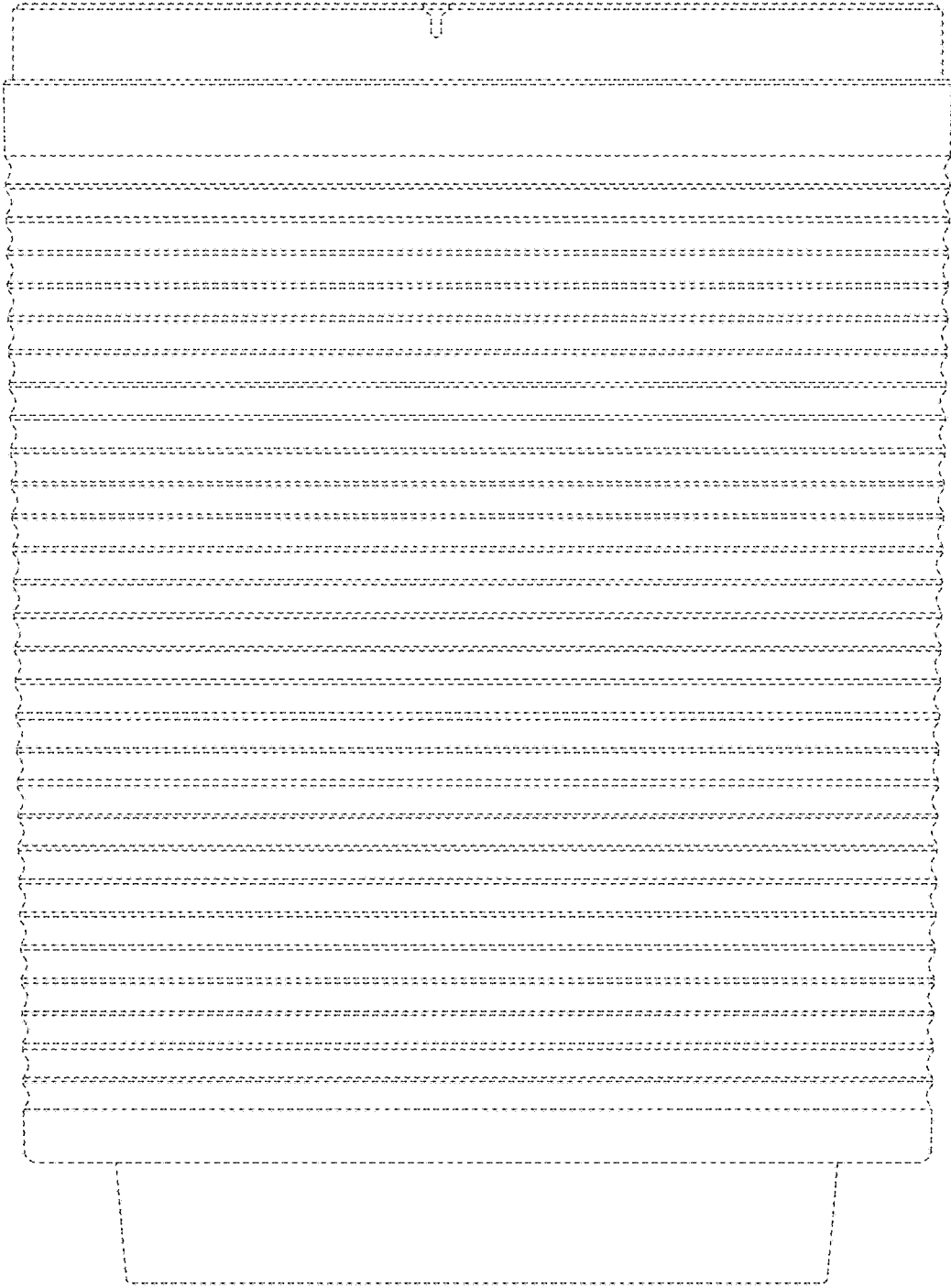


FIG. 12

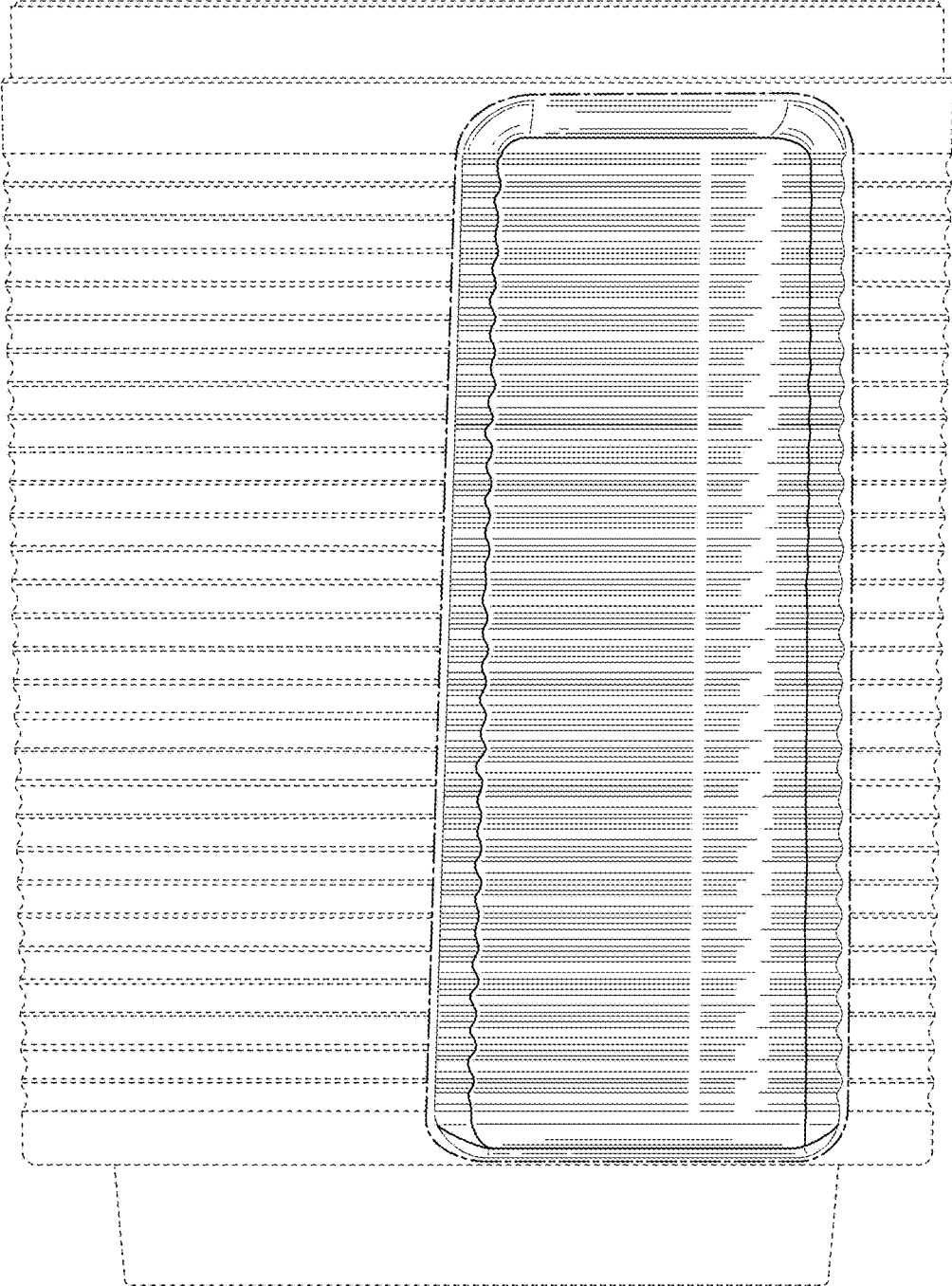


FIG. 13

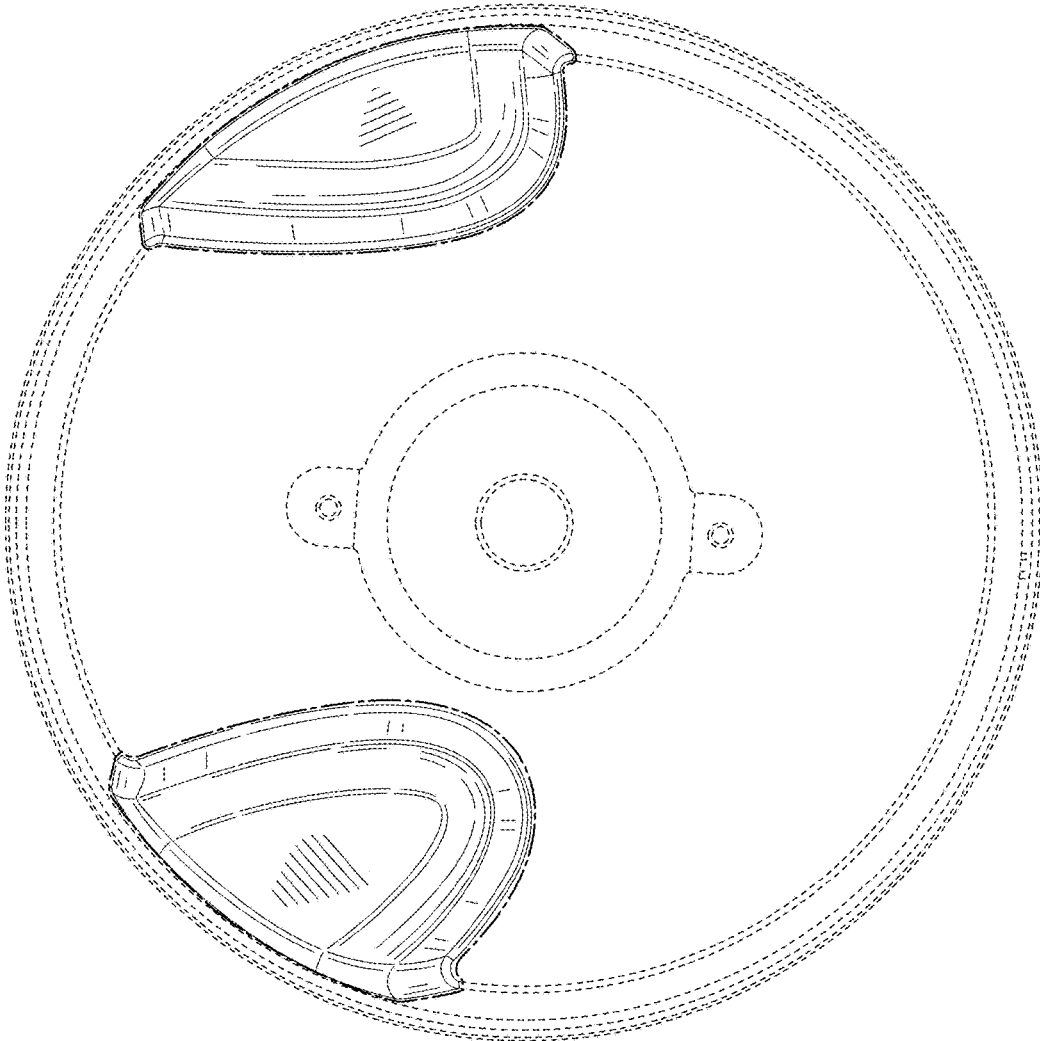


FIG. 14

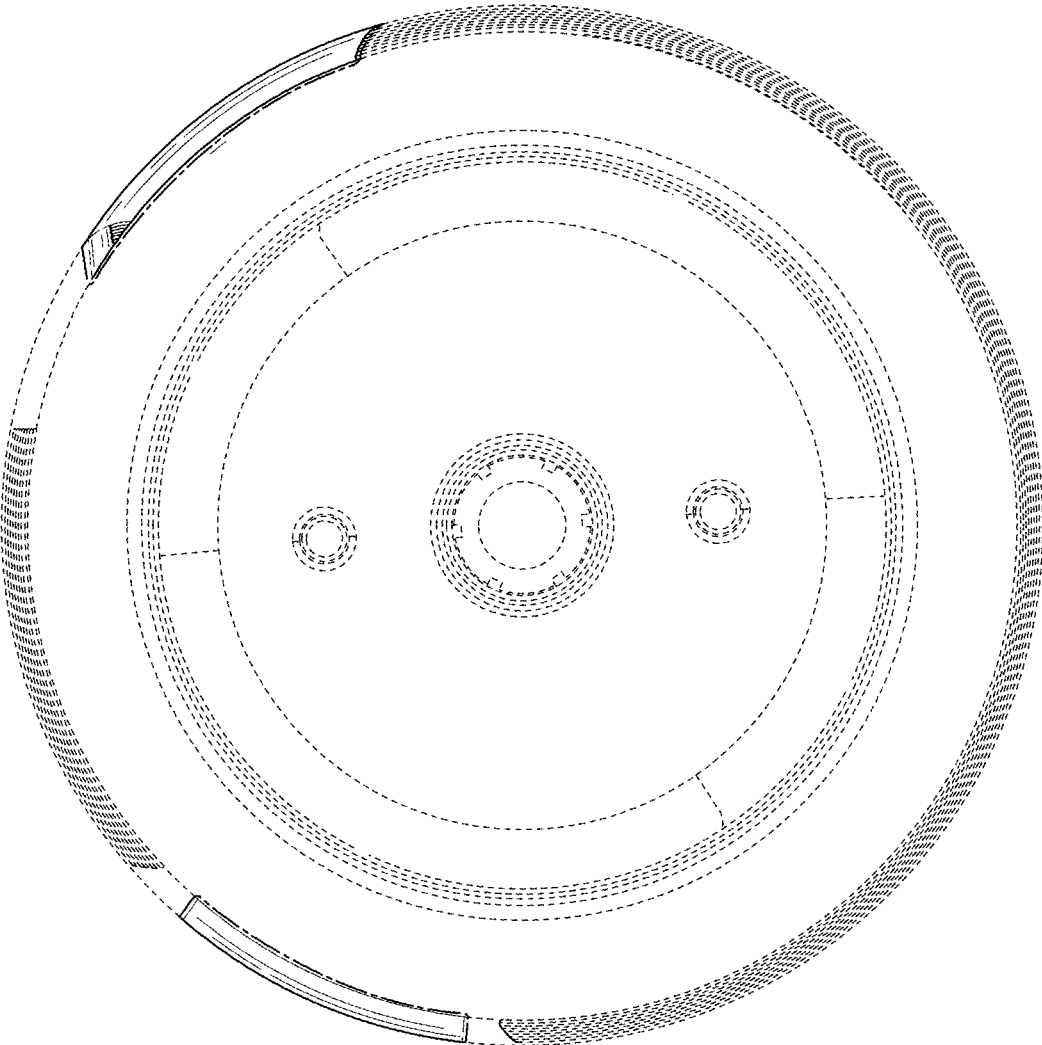


FIG. 15

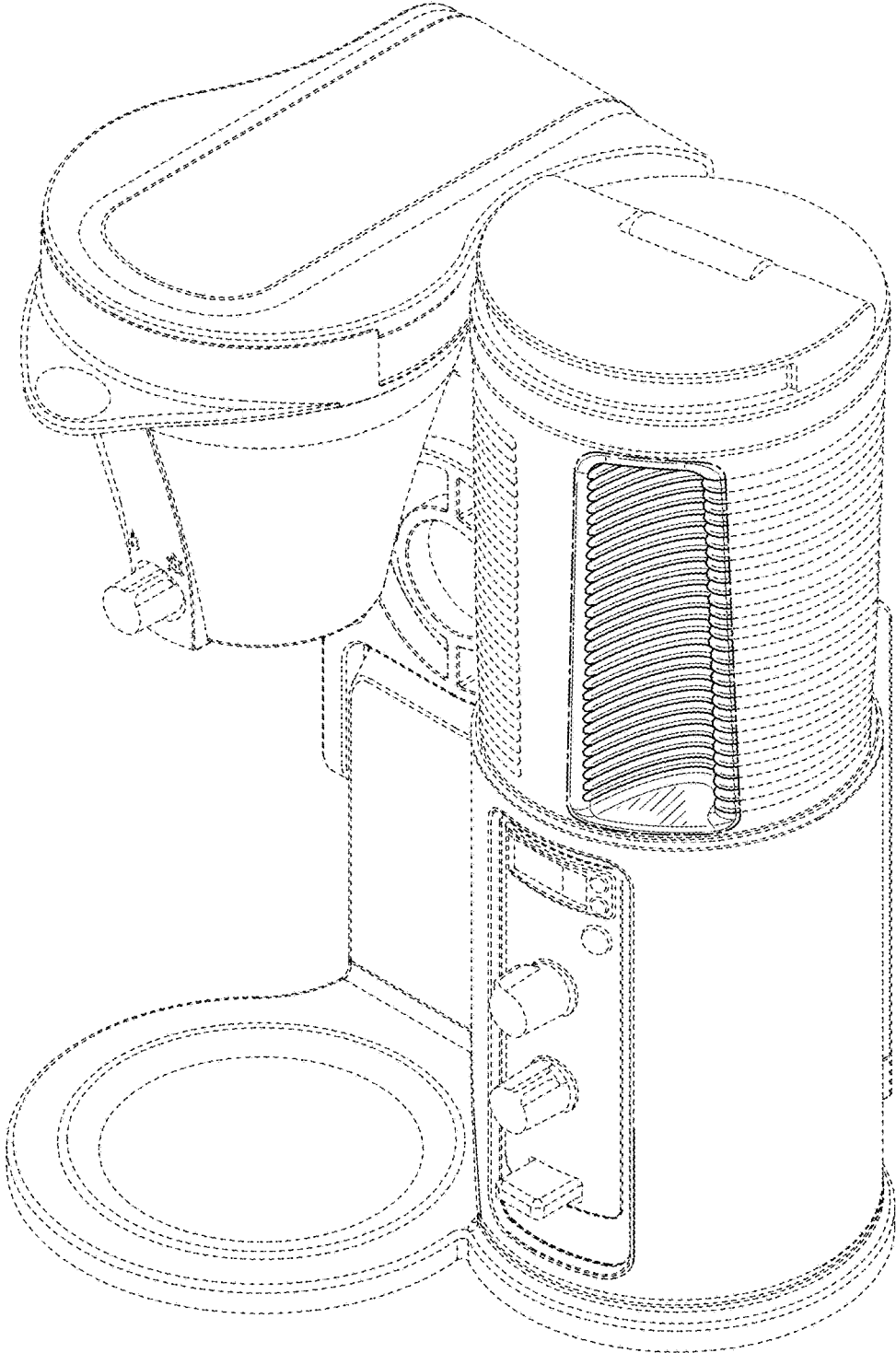


FIG. 16