

[54] **DEAD-BOLT LOCK**

- [75] **Inventor:** Ronald N. Oliver, Salem, Va.
[73] **Assignee:** Medeco Security Locks, Inc., Salem, Va.
[**] **Term:** 14 Years
[21] **Appl. No.:** 609,239
[22] **Filed:** May 11, 1984
[52] **U.S. Cl.** D8/341; D8/331
[58] **Field of Search** D8/330-331, D8/338-341, 343; 70/104, 113, 118, 467, 131; 292/2-4, 14, 32, 34, 137, 156, 246, 57

[56] **References Cited**

U.S. PATENT DOCUMENTS

2,004,746	6/1935	Boyko	70/104
2,119,456	5/1938	Dies	70/344
2,225,663	12/1940	Segal	70/104
3,746,380	7/1973	Kartarik	292/117
3,760,619	9/1973	Colombo	70/104
4,061,383	12/1977	Waldo	292/335
4,067,212	1/1978	Vorob	70/103

OTHER PUBLICATIONS

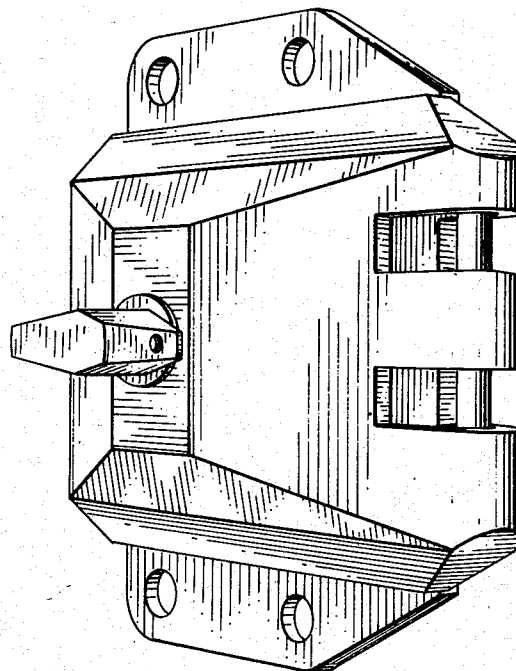
- Russwin Builder's Hardware Catalogue (1957) Dead Lock #1266, p. 26.
Yale Europa Catalog—date unknown, cover page and p. 19.
The New England Lock & Hardware Co. catalog—date unknown.
Primary Examiner—Wallace R. Burke
Assistant Examiner—Brian N. Vinson
Attorney, Agent, or Firm—Bernard, Rothwell & Brown

[57] **CLAIM**

The ornamental design for a dead-bolt lock, as shown and described.

DESCRIPTION

FIG. 1 is a perspective view of a dead-bolt lock showing my new design;
FIG. 2 is a front elevation thereof;
FIG. 3 is a right side elevation thereof;
FIG. 4 is a left side elevation thereof;
FIG. 5 is a rear elevation thereof; and
FIG. 6 is a top plan view thereof, the bottom being identical in appearance.



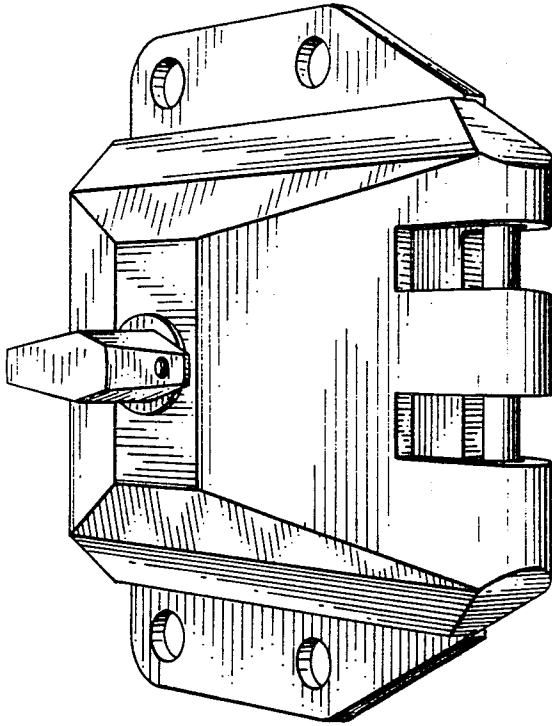


FIG. 1

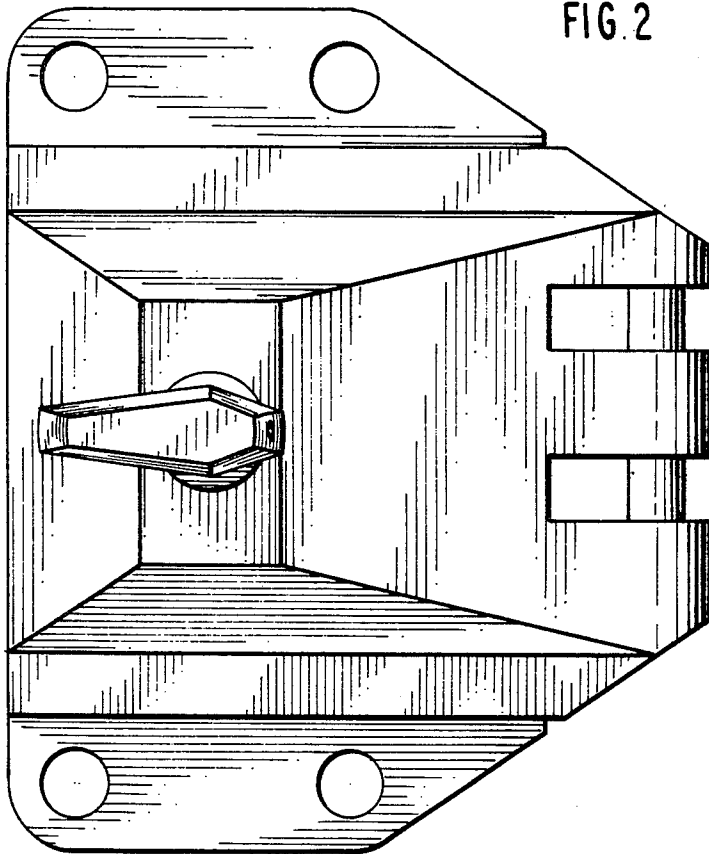


FIG. 2

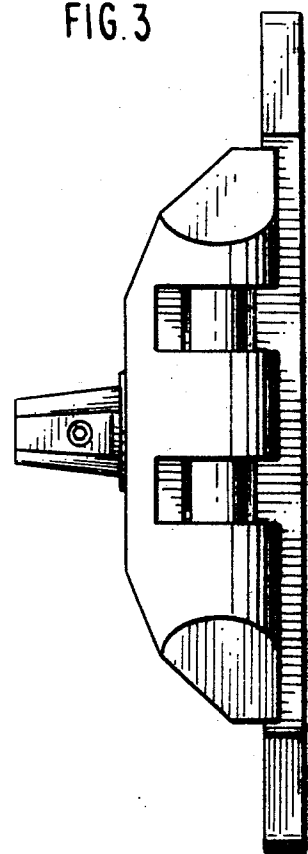


FIG. 3

FIG. 4

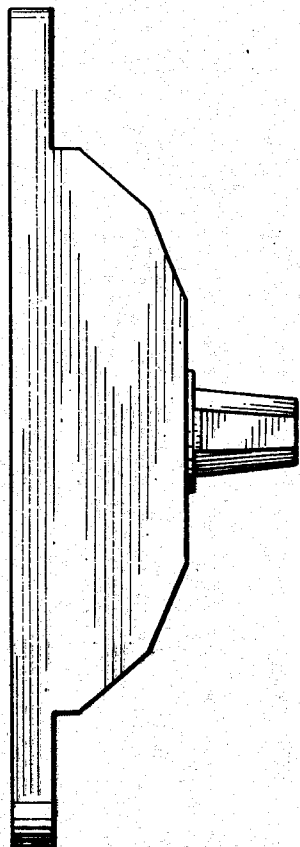


FIG. 5

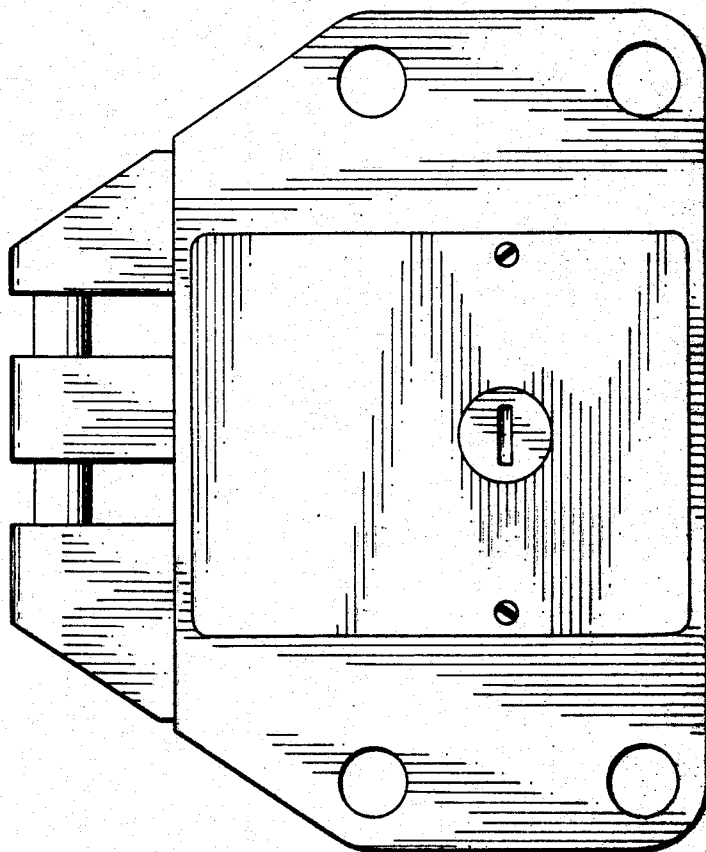


FIG. 6

